



US00D853914S

(12) **United States Design Patent** (10) **Patent No.:** **US D853,914 S**
Lucas et al. (45) **Date of Patent:** **** Jul. 16, 2019**

(54) **VEHICLE FENDER**
(71) Applicant: **Ford Global Technologies, LLC**,
Dearborn, MI (US)
(72) Inventors: **Earl C. Lucas**, Southfield, MI (US);
Keith Rogman, Fenton, MI (US);
Hojoon Kang, Novi, MI (US); **David**
Woodhouse, Troy, MI (US)
(73) Assignee: **Ford Global Technologies, LLC**,
Dearborn, MI (US)
(**) Term: **15 Years**
(21) Appl. No.: **29/624,486**
(22) Filed: **Nov. 1, 2017**
(51) **LOC (11) Cl.** **12-16**
(52) **U.S. Cl.**
USPC **D12/184**
(58) **Field of Classification Search**
USPC D12/114, 181, 184; D15/28
CPC B62D 25/16; B62D 25/18
See application file for complete search history.

D803,741 S * 11/2017 Tsubaki D12/184
D805,013 S * 12/2017 Whitla D12/181
D806,622 S * 1/2018 Granlund D12/184
D807,261 S * 1/2018 Zavatski D12/184
9,890,966 B2 * 2/2018 Mueller B62D 25/16
D817,829 S * 5/2018 Behmer D12/184
D820,751 S * 6/2018 Luk D12/184
D823,741 S * 7/2018 Kim D12/169
10,023,241 B2 * 7/2018 Umemoto B62D 25/161
10,035,543 B2 * 7/2018 Sato B60J 5/0444
D826,811 S * 8/2018 Lim D12/184
D827,527 S * 9/2018 Loeb D12/184
D827,528 S * 9/2018 Gueler D12/184
D827,529 S * 9/2018 Al Attar D12/184
D828,254 S * 9/2018 Simm D12/184
10,077,085 B2 * 9/2018 Pfaffelhuber B62D 27/02

* cited by examiner

Primary Examiner — Susan Bennett Hattan
Assistant Examiner — Suzanne E Tisdell
(74) *Attorney, Agent, or Firm* — Vichit Chea

(57) **CLAIM**

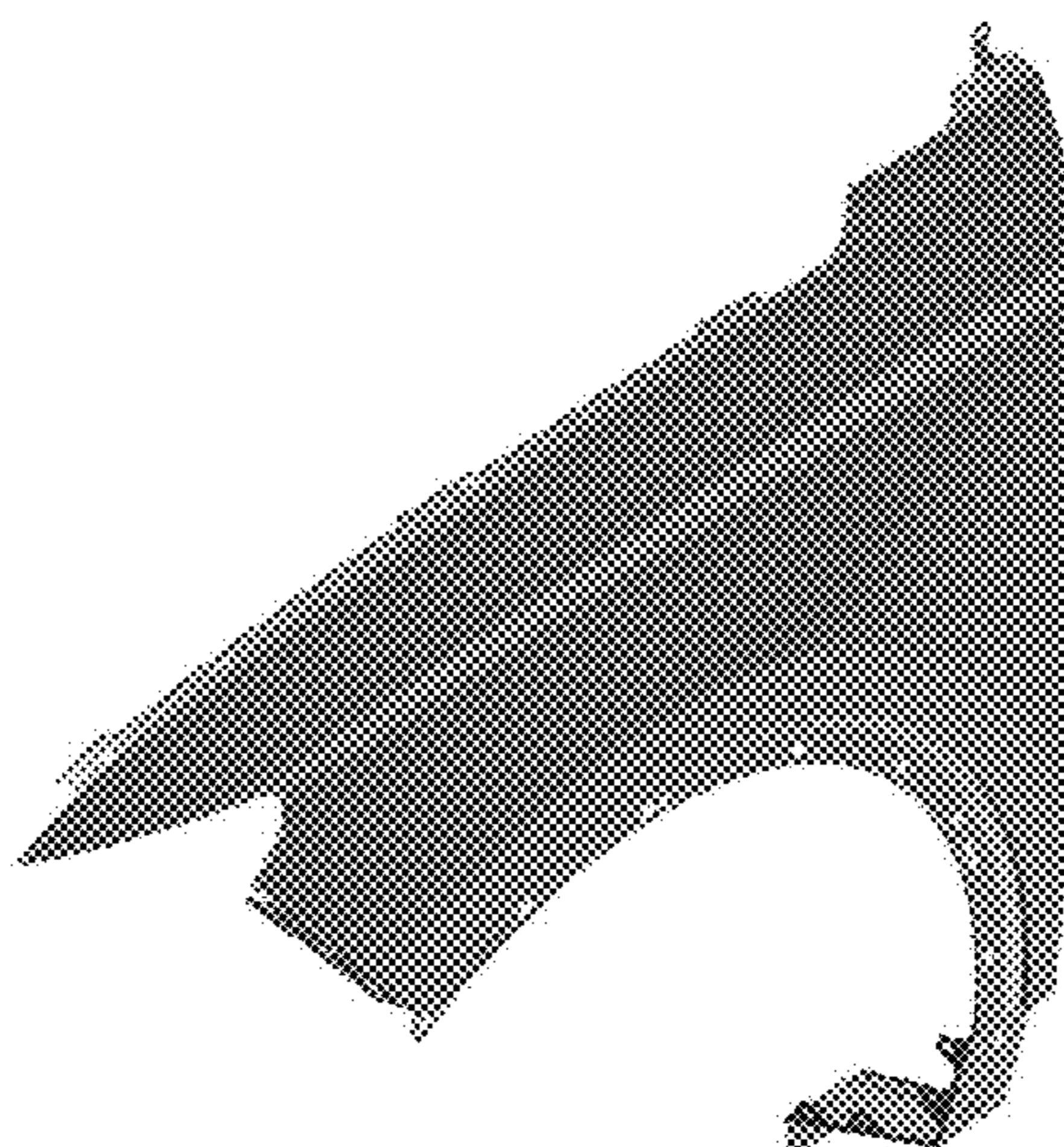
The ornamental design for a vehicle fender, as shown and described.

DESCRIPTION

FIG. 1 is a top, front and left side perspective view of a left vehicle fender, showing our new design;
FIG. 2 is a top, rear and left side perspective view thereof;
FIG. 3 is a top, rear and left side perspective view thereof;
FIG. 4 is a front elevational view thereof;
FIG. 5 is a rear elevational view thereof;
FIG. 6 is a left side elevational view thereof;
FIG. 7 is a right side elevational view thereof;
FIG. 8 is a top plan view thereof; and,
FIG. 9 is a bottom plan view thereof.

1 Claim, 9 Drawing Sheets

(56) **References Cited**
U.S. PATENT DOCUMENTS
9,278,716 B1 * 3/2016 Joseph B62D 25/18
D756,870 S * 5/2016 Tsutamori D12/184
D758,935 S * 6/2016 Platto D12/184
9,403,557 B1 * 8/2016 Sharma C21D 1/06
9,487,238 B2 * 11/2016 Iwano B62D 25/025
D775,031 S * 12/2016 Frascella D12/184
D787,395 S * 5/2017 Curic D12/181
9,669,876 B2 * 6/2017 Iwano B62D 25/04
9,738,322 B2 * 8/2017 Matthiessen B62D 25/02
D803,119 S * 11/2017 Beermann D12/184



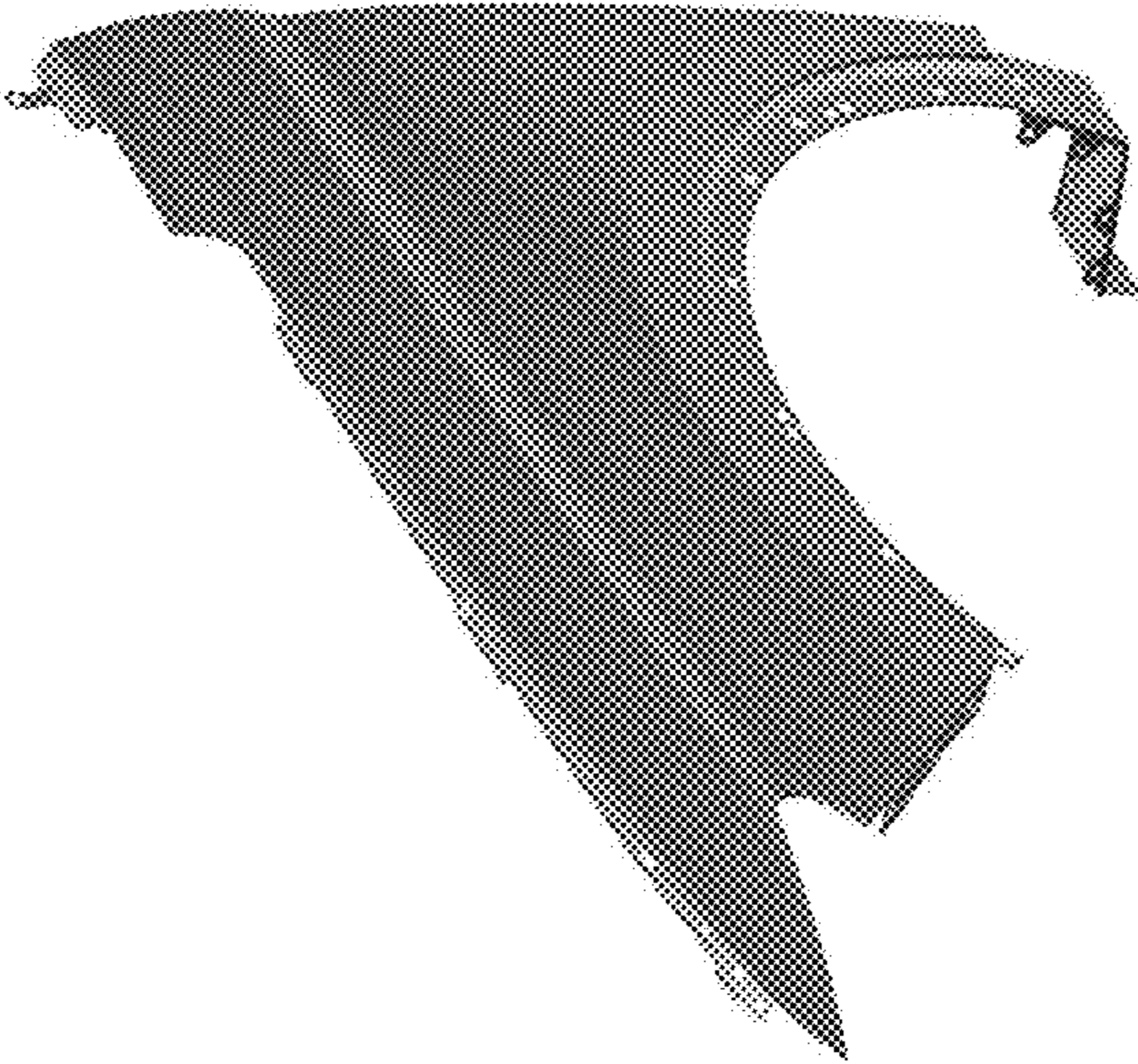


Figure 1

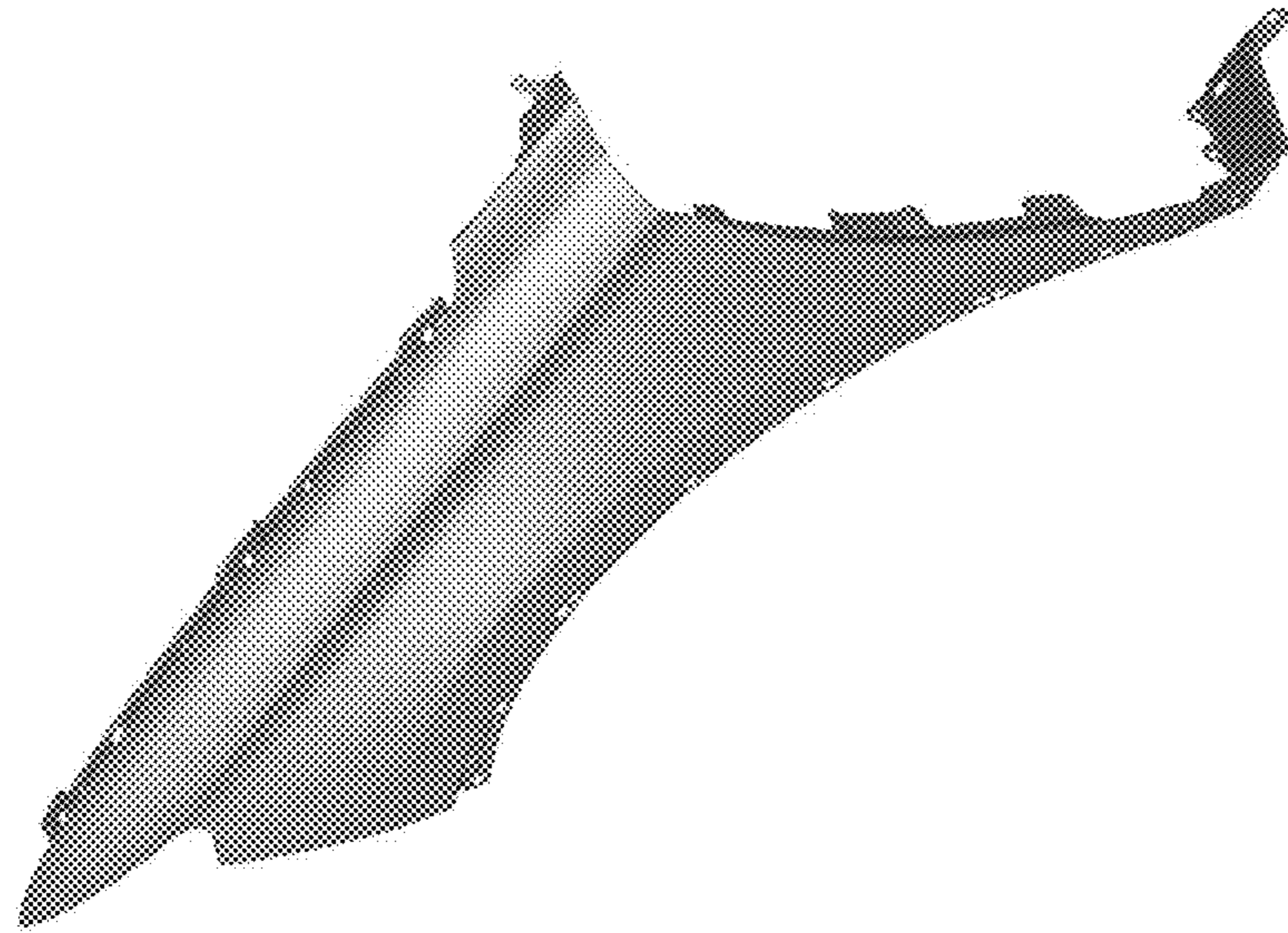


Figure 2

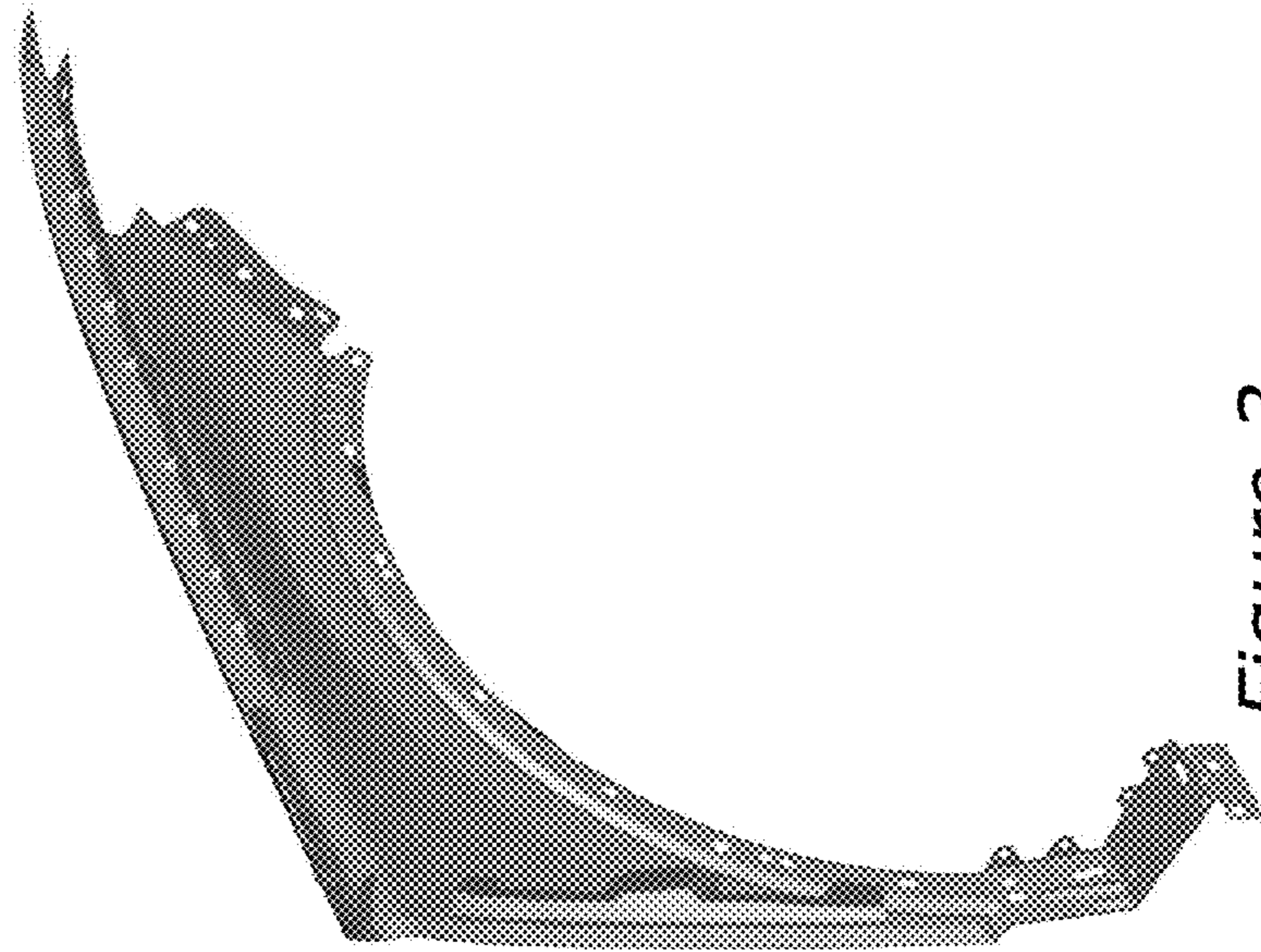


Figure 3

Figure 4





Figure 5

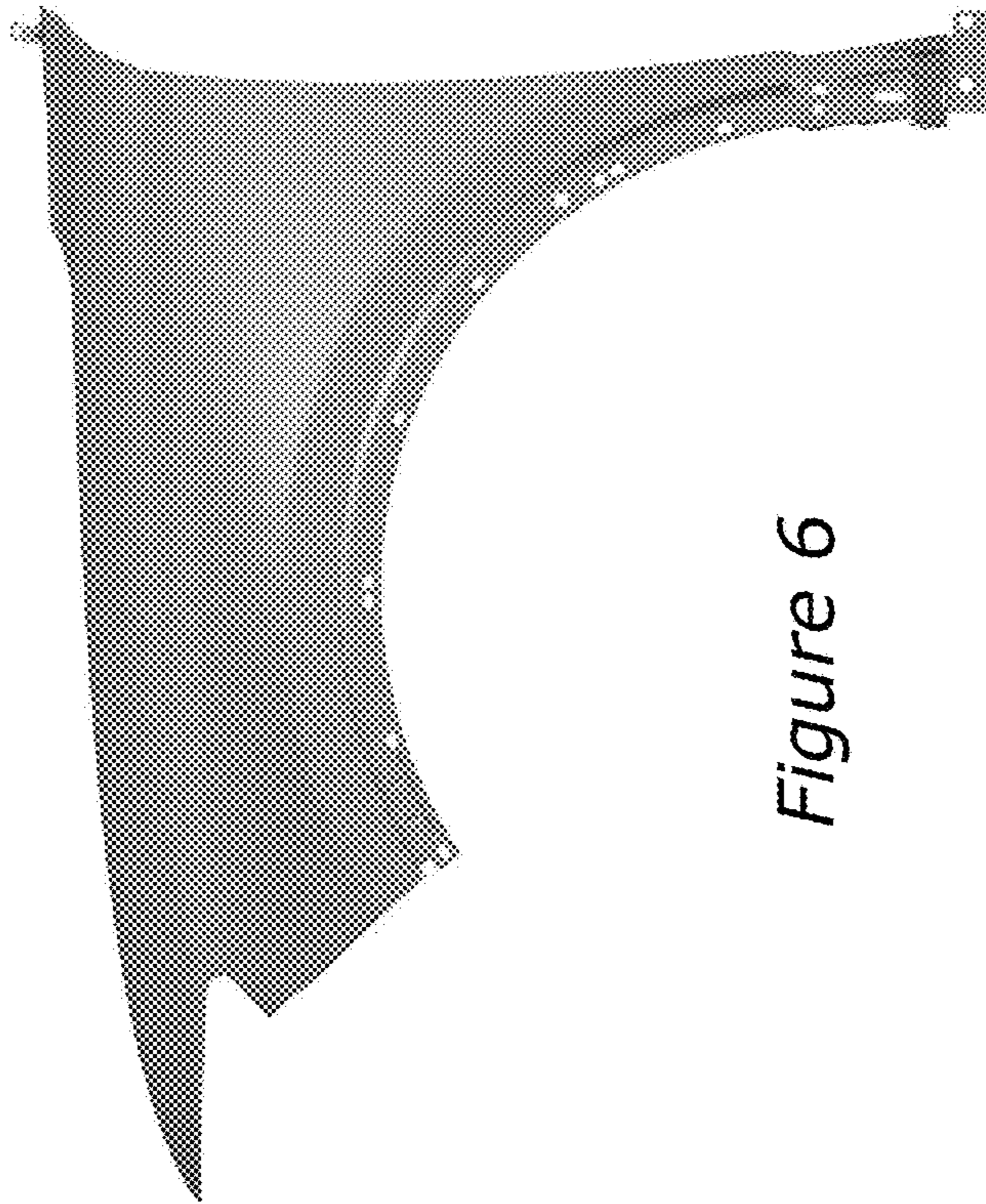


Figure 6

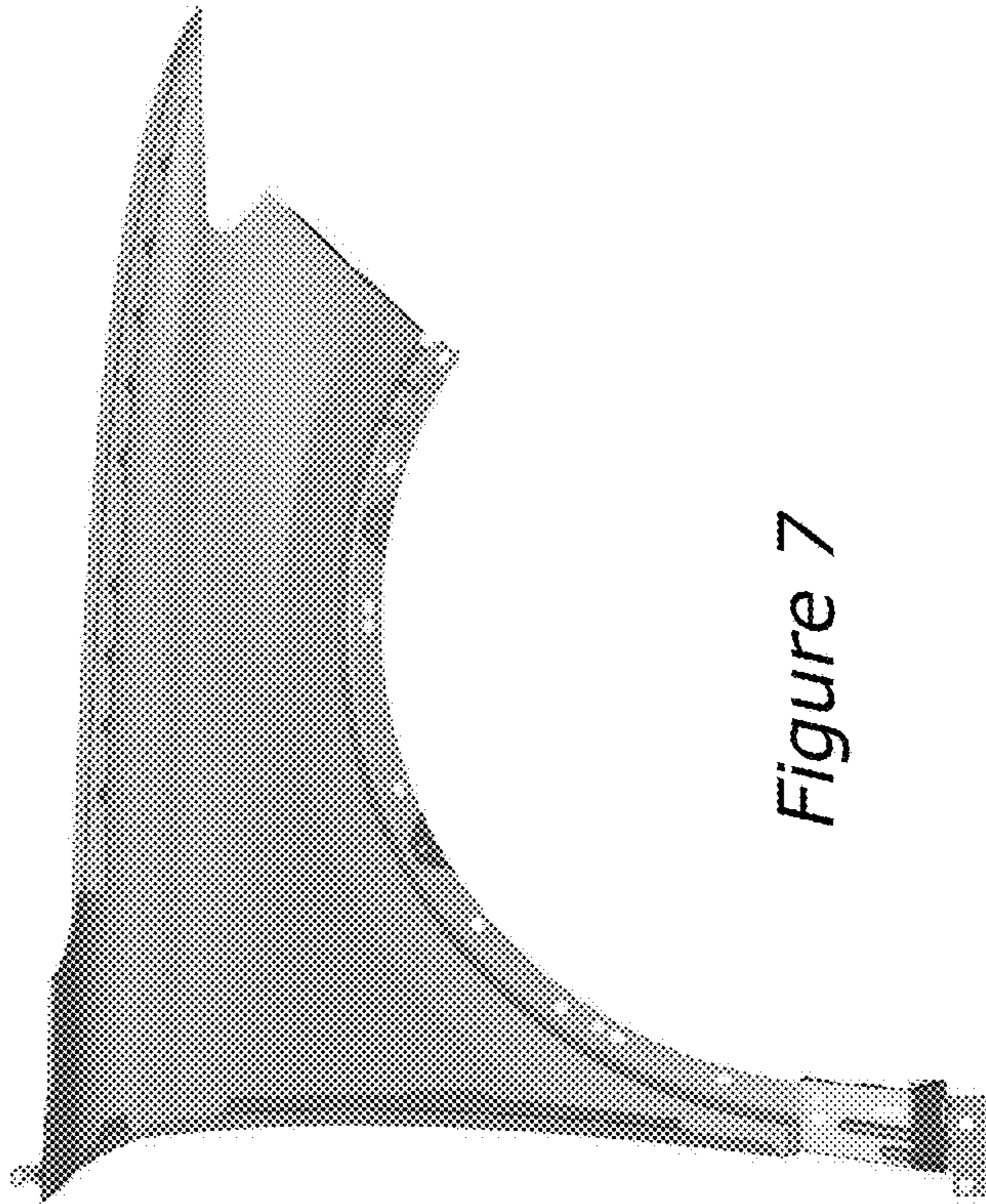


Figure 7

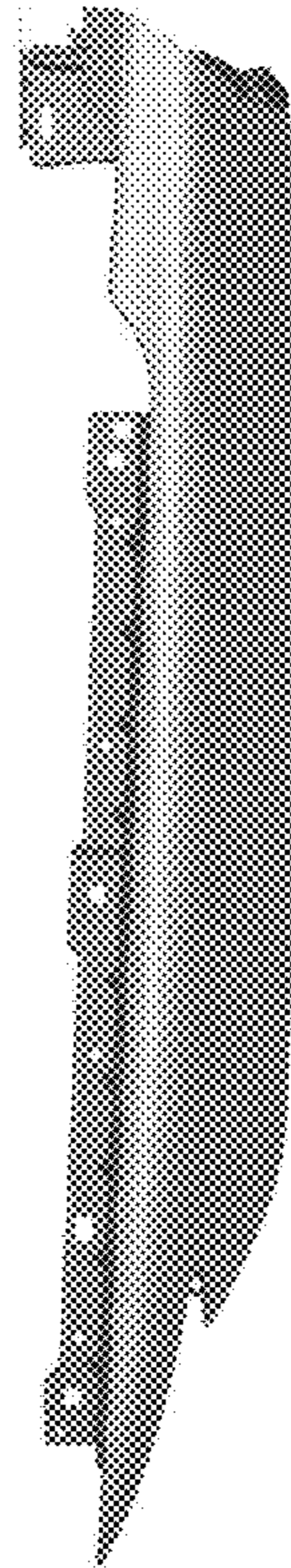


Figure 8

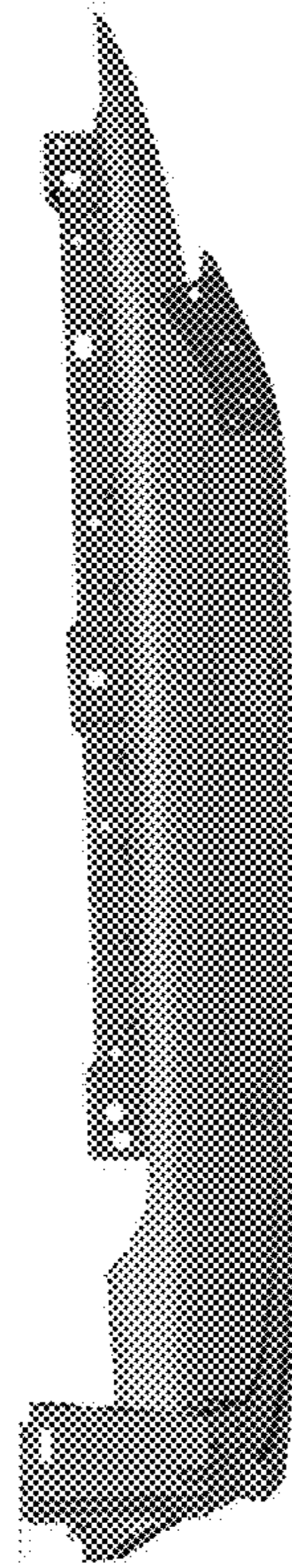


Figure 9