

US00D853908S

(12) **United States Design Patent**
Melikian

(10) **Patent No.:** **US D853,908 S**

(45) **Date of Patent:** **** Jul. 16, 2019**

(54) **FRONT BUMPER**

(71) Applicant: **HONDA MOTOR CO., LTD.**,
Minato-ku, Tokyo (JP)

(72) Inventor: **Lili Melikian**, Sun Valley, CA (US)

(73) Assignee: **HONDA MOTOR CO., LTD.**, Tokyo
(JP)

(**) Term: **15 Years**

(21) Appl. No.: **29/642,293**

(22) Filed: **Mar. 28, 2018**

(51) **LOC (11) Cl.** **12-16**

(52) **U.S. Cl.**
USPC **D12/169**

(58) **Field of Classification Search**
USPC D12/169, 196, 86, 90-92; 293/102, 113,
293/115, 117, 120; 296/180.1, 180.2
CPC B60R 19/02; B60R 19/04; B62D 25/08
See application file for complete search history.

(56) **References Cited**

U.S. PATENT DOCUMENTS

D664,902 S * 8/2012 Platto D12/169
D800,615 S * 10/2017 Park D12/169

D801,866 S * 11/2017 Bischoff D12/91
D811,288 S * 2/2018 Bucher D12/169
D826,110 S * 8/2018 Kanai D12/169

* cited by examiner

Primary Examiner — Melody N Brown

(74) *Attorney, Agent, or Firm* — Arent Fox LLP

(57) **CLAIM**

The ornamental design for a front bumper, as shown and described.

DESCRIPTION

FIG. 1 is a top, front and left side perspective view of a front bumper showing my new design;
FIG. 2 is a top, front and right side perspective view thereof;
FIG. 3 is a top, rear and left side perspective view thereof;
FIG. 4 is a top, rear and right side perspective view thereof;
FIG. 5 is a front elevational view thereof;
FIG. 6 is a rear elevational view thereof;
FIG. 7 is a right side elevational view thereof;
FIG. 8 is a left side elevational view thereof;
FIG. 9 is a top plan view thereof; and,
FIG. 10 is a bottom plan view thereof.

1 Claim, 10 Drawing Sheets

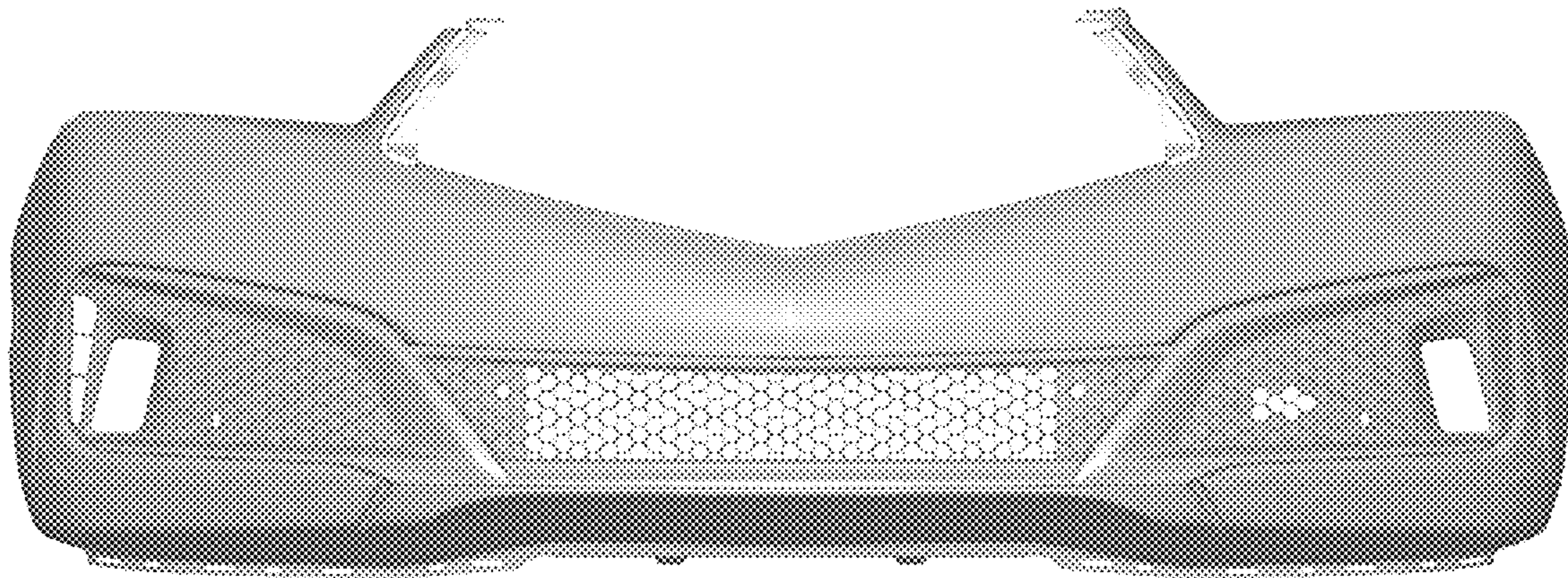




FIG. 1

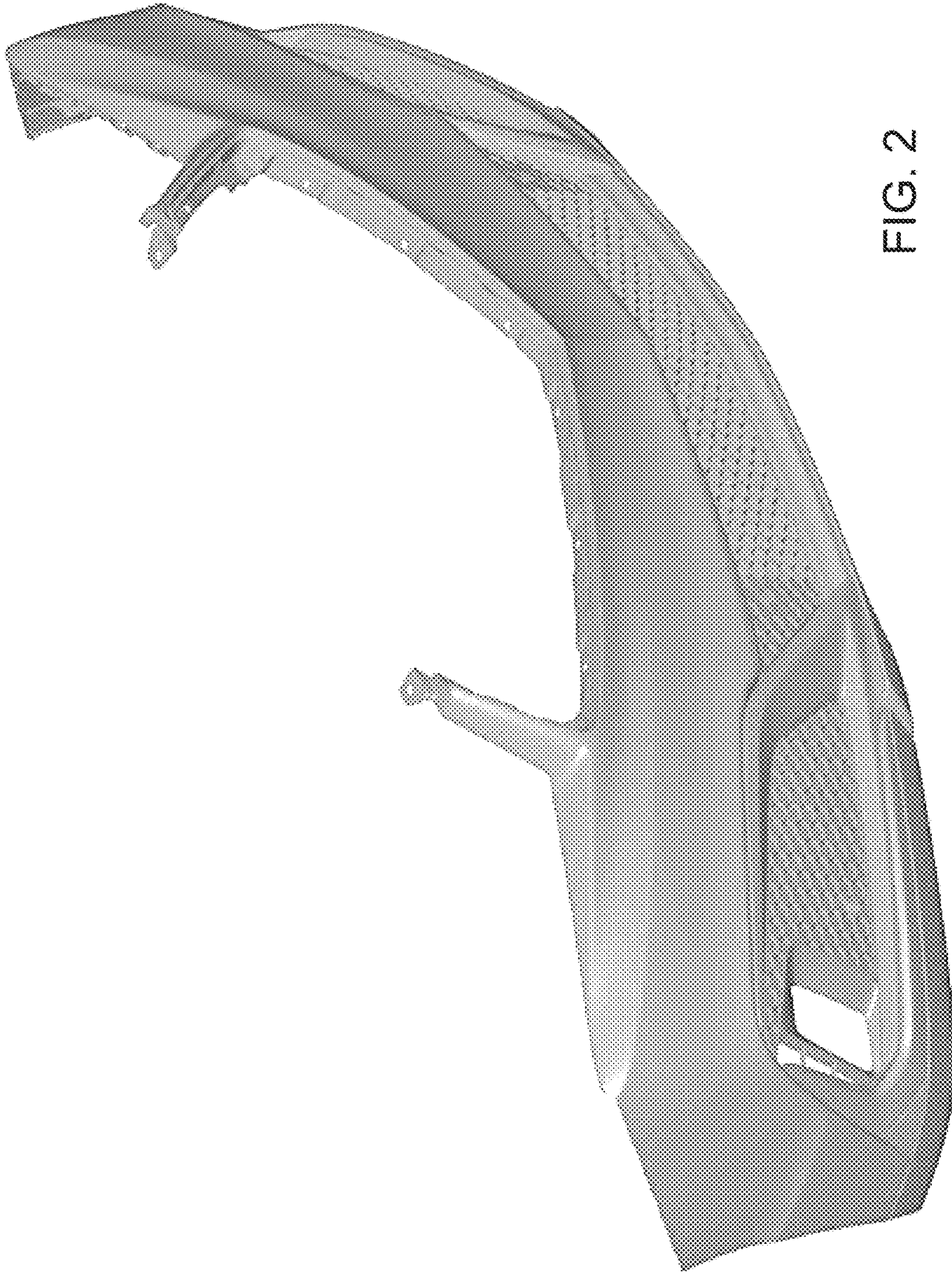


FIG. 2

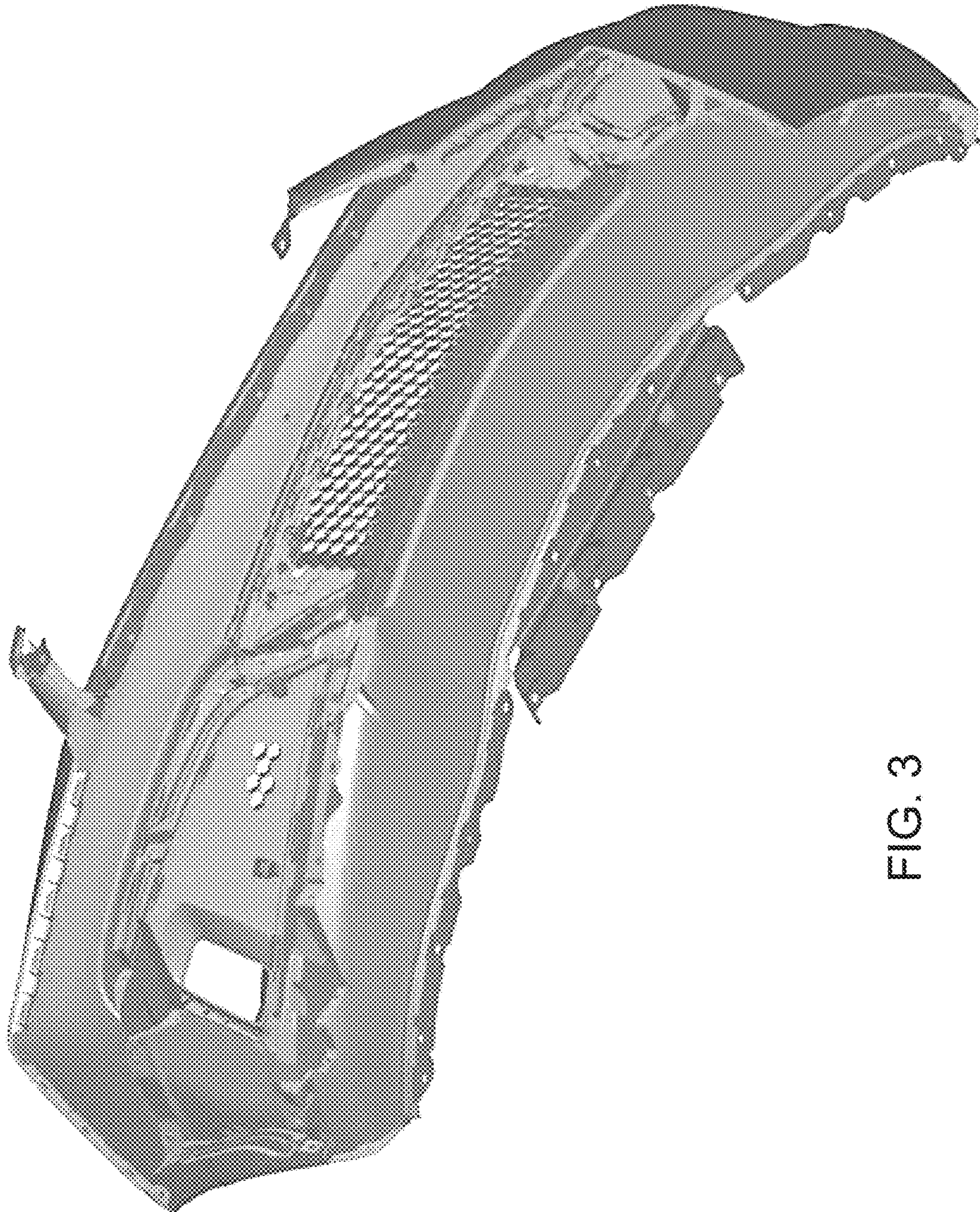


FIG. 3

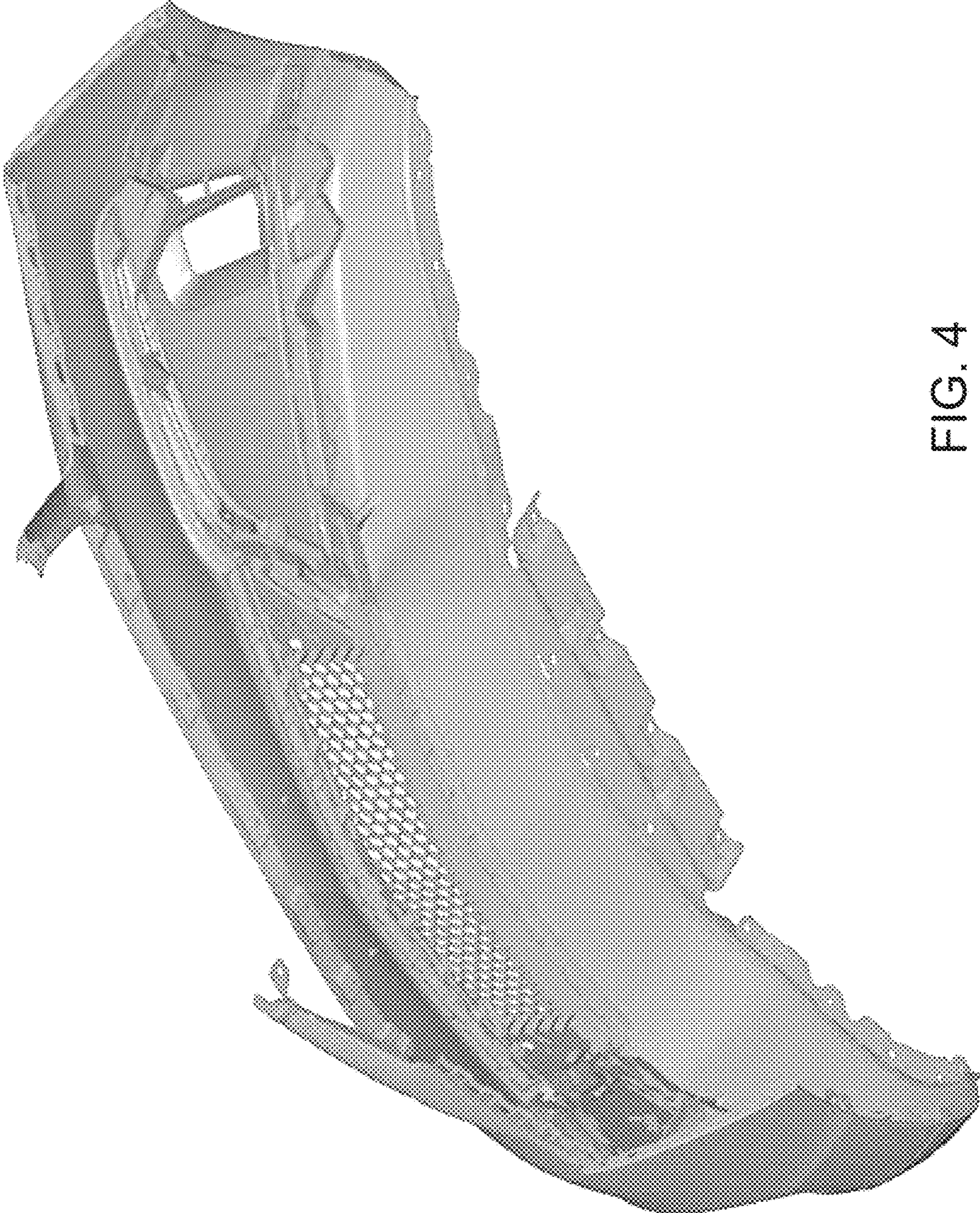


FIG. 4

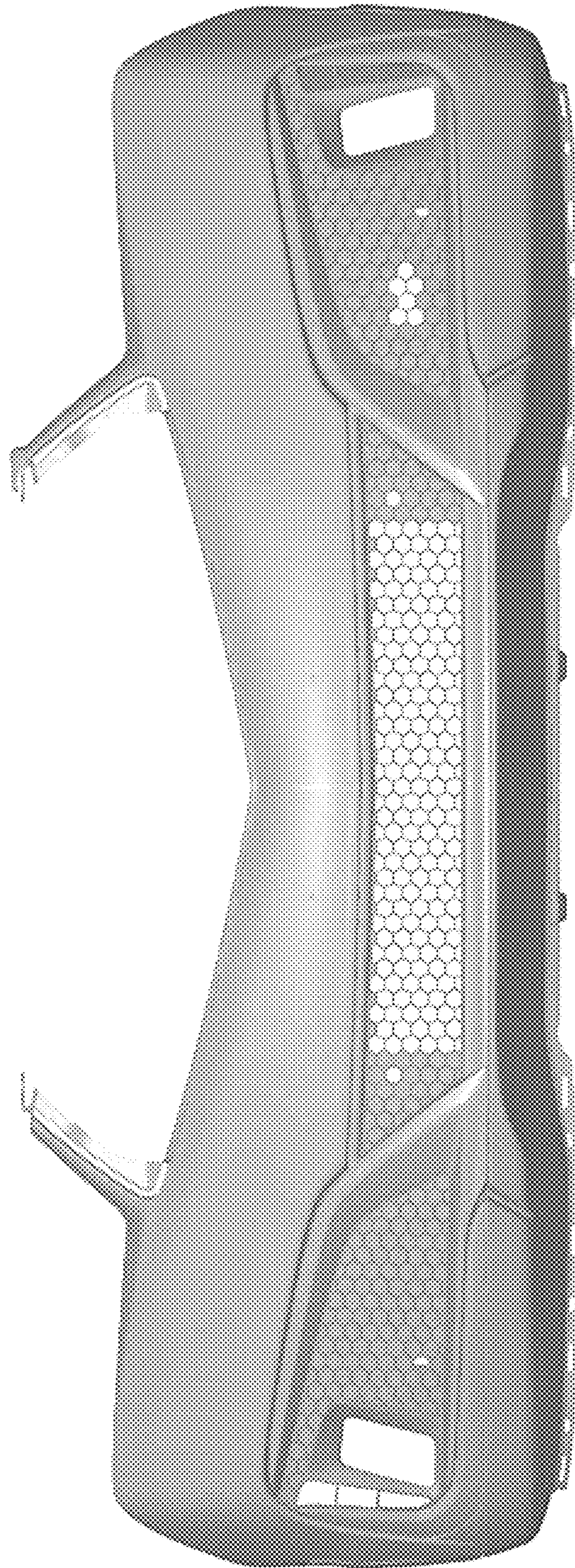


FIG. 5

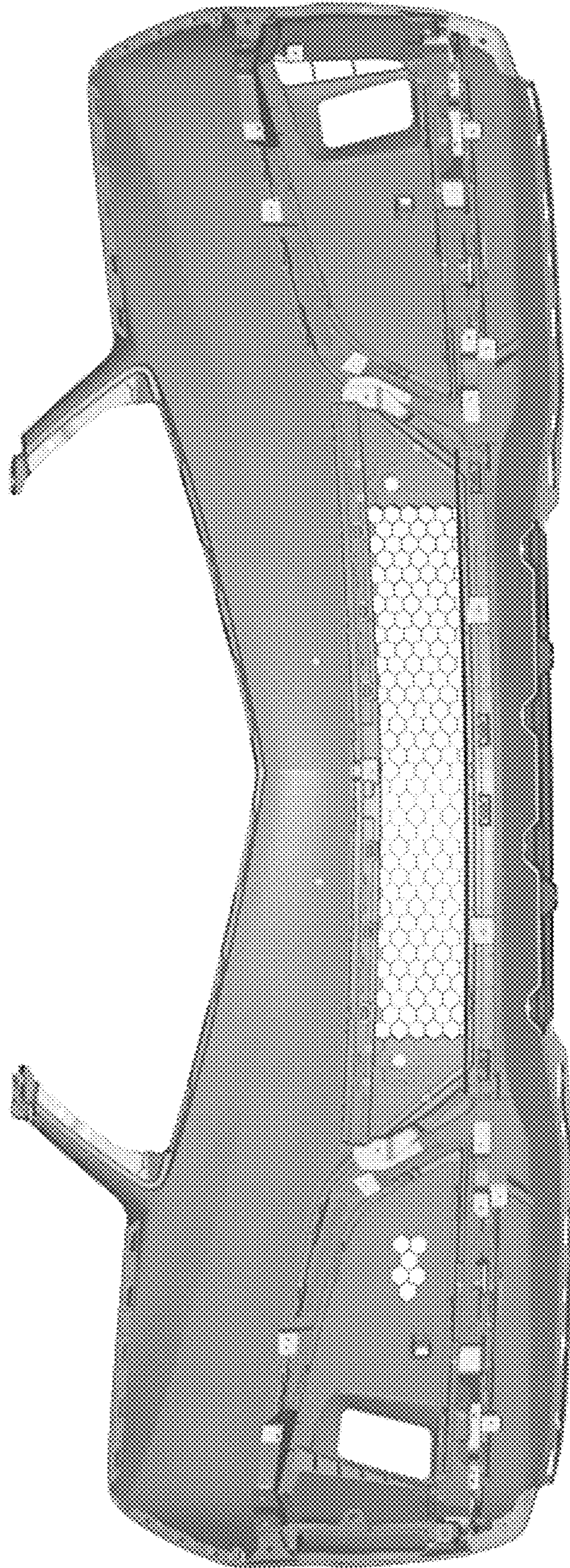


FIG. 6

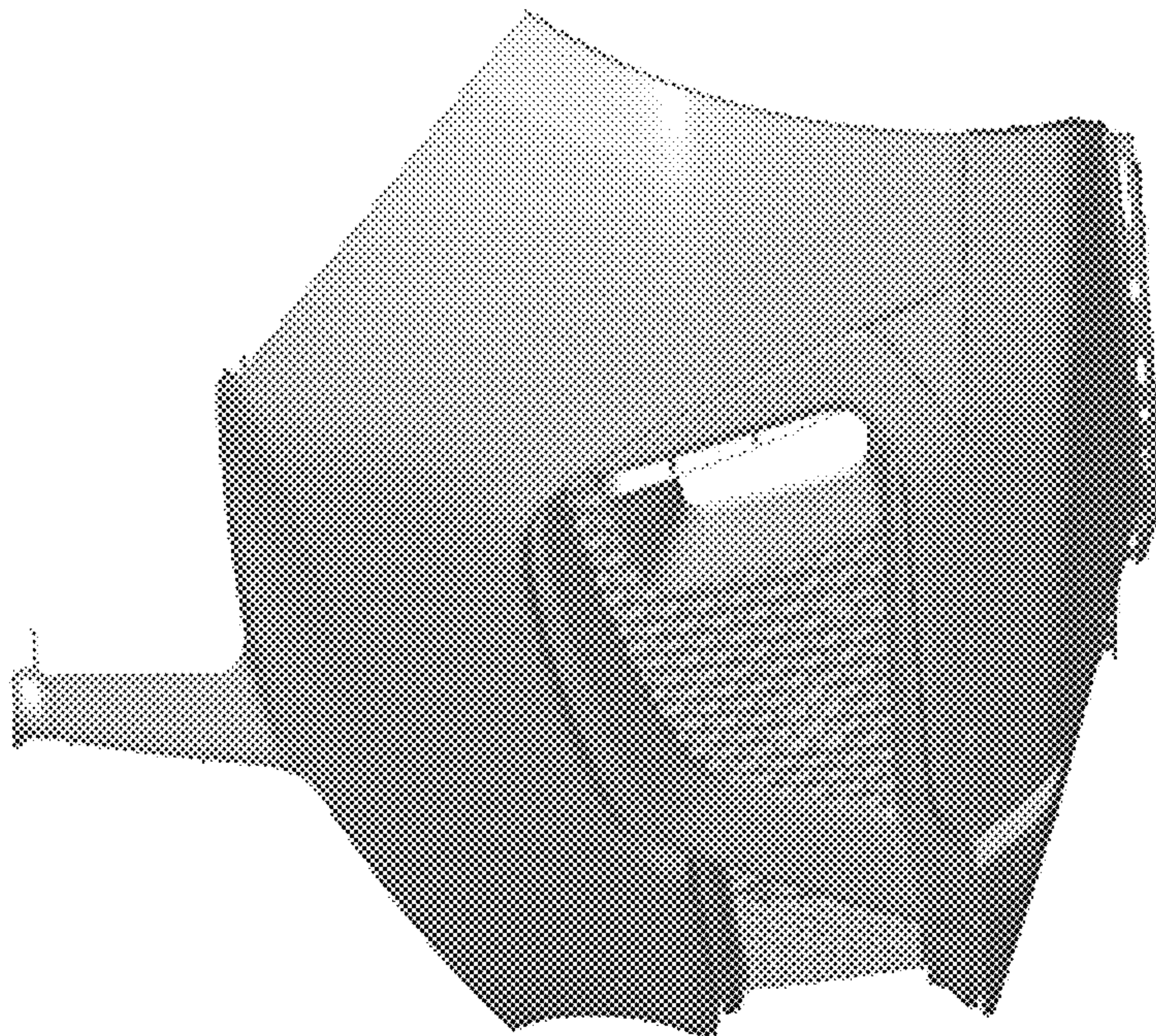


FIG. 7

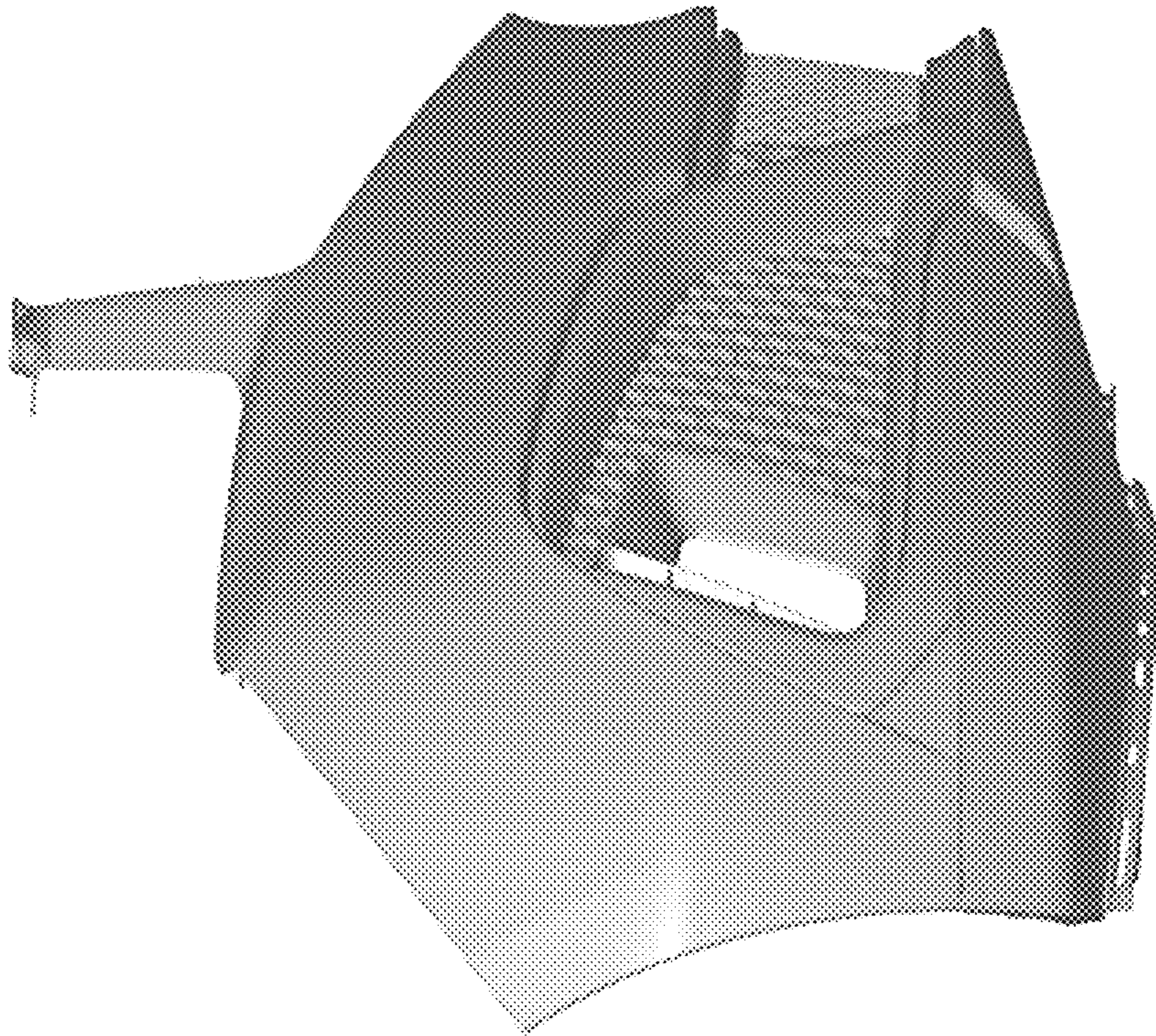


FIG. 8

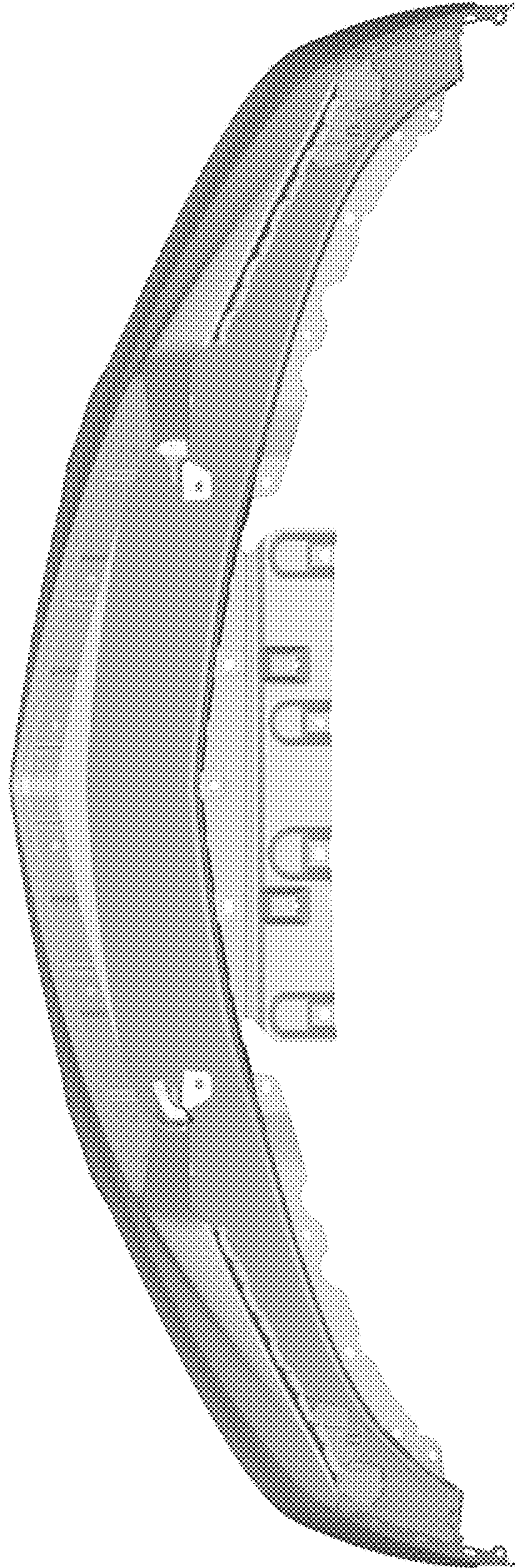


FIG. 9

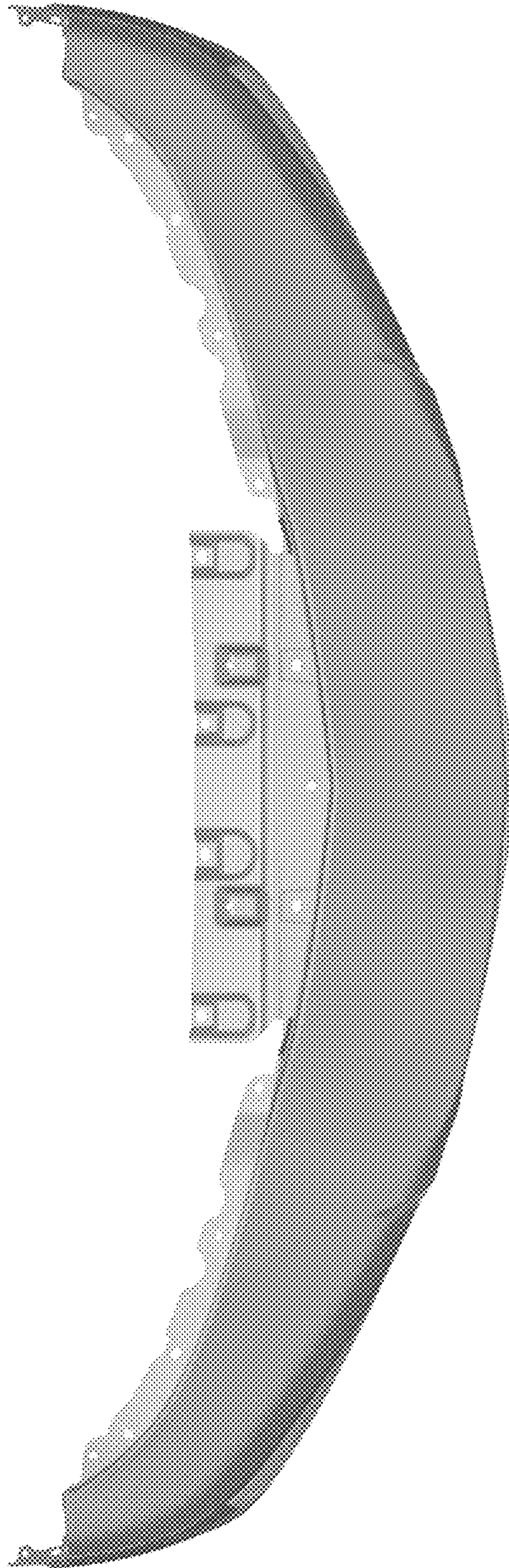


FIG. 10