



US00D853907S

(12) **United States Design Patent** (10) **Patent No.:** **US D853,907 S**
Betancourt et al. (45) **Date of Patent:** **** Jul. 16, 2019**

(54) **VEHICLE REAR LOWER BUMPER COVER**

(71) Applicant: **Ford Global Technologies, LLC**,
Dearborn, MI (US)
(72) Inventors: **Melvin Betancourt**, Shelby Township,
MI (US); **Eric Stoddard**, Birmingham,
MI (US); **Daniel J. Kangas**, Dearborn
Heights, MI (US); **Darrell P. Behmer**,
Novi, MI (US); **Craig S. Metros**,
Bloomfield, MI (US); **Christopher
Svensson**, Bloomfield, MI (US)

(73) Assignee: **Ford Global Technologies, LLC**,
Dearborn, MI (US)

(**) Term: **15 Years**

(21) Appl. No.: **29/640,751**

(22) Filed: **Mar. 16, 2018**

(51) **LOC (11) Cl.** **12-16**

(52) **U.S. Cl.**
USPC **D12/169**

(58) **Field of Classification Search**
USPC D12/169, 196, 86, 90-92, 163, 190, 98,
D12/164; 293/102, 113, 115, 117, 120,
293/193.11; 296/180.1, 180.2; 180/68.1,
180/68.6
CPC B60R 19/52; B60K 11/08; B62D 25/08;
B62B 9/16
See application file for complete search history.

(56) **References Cited**

U.S. PATENT DOCUMENTS

D534,463 S * 1/2007 Chiang D12/169
D535,228 S * 1/2007 Hayashi D12/169
D542,196 S * 5/2007 Levy D12/169
D545,248 S * 6/2007 Angelo D12/169
D546,736 S * 7/2007 Golden D12/169

D560,145 S * 1/2008 Tant D12/169
D585,343 S * 1/2009 Kubota D12/169
D592,571 S * 5/2009 Golden D12/169
D601,063 S * 9/2009 Lamm D12/169
D603,764 S * 11/2009 Youn, II D12/169
D603,765 S * 11/2009 Youn, II D12/169
D607,790 S * 1/2010 Golden D12/169
D607,791 S * 1/2010 Golden D12/169
D617,697 S * 6/2010 Lamm D12/169
D627,276 S * 11/2010 Krugger D12/169
D630,976 S * 1/2011 Clottu 12/16
D675,138 S * 1/2013 Hamilton D12/169
D740,127 S * 10/2015 Chertoff D9/444
D744,913 S * 12/2015 Leclercq D12/169
D772,123 S * 11/2016 Zurian D12/169
D823,742 S * 7/2018 Simm D12/169
D823,743 S * 7/2018 Al Attar D12/169
D823,744 S * 7/2018 Al Attar D12/169
D832,157 S * 10/2018 Svensson D12/169
D832,158 S * 10/2018 Han D12/169
D834,472 S * 11/2018 Peat D12/169

* cited by examiner

Primary Examiner — Melody N Brown

(74) *Attorney, Agent, or Firm* — Vichit Chea

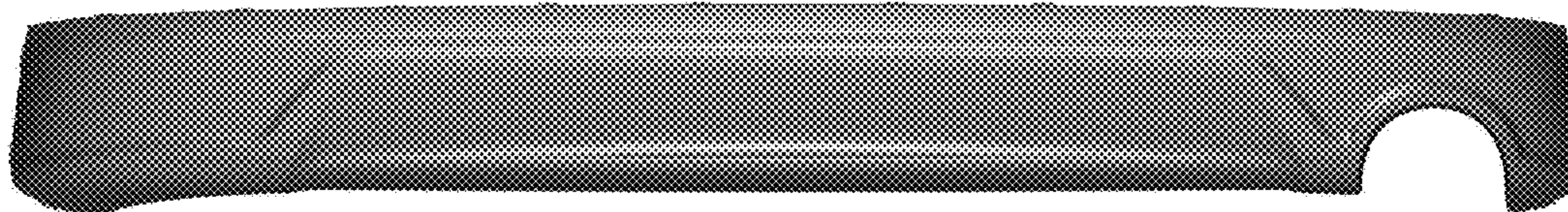
(57) **CLAIM**

The ornamental design for a vehicle rear lower bumper cover, as shown and described.

DESCRIPTION

FIG. 1 is a front elevational view of a vehicle rear lower bumper cover, showing our new design;
FIG. 2 is a left side elevational view thereof;
FIG. 3 is a right side elevational view thereof;
FIG. 4 is a top plan view thereof;
FIG. 5 is a bottom plan view thereof;
FIG. 6 is a top, front, and left side perspective view thereof;
and,
FIG. 7 is a bottom, front, and left side perspective view thereof.

1 Claim, 7 Drawing Sheets



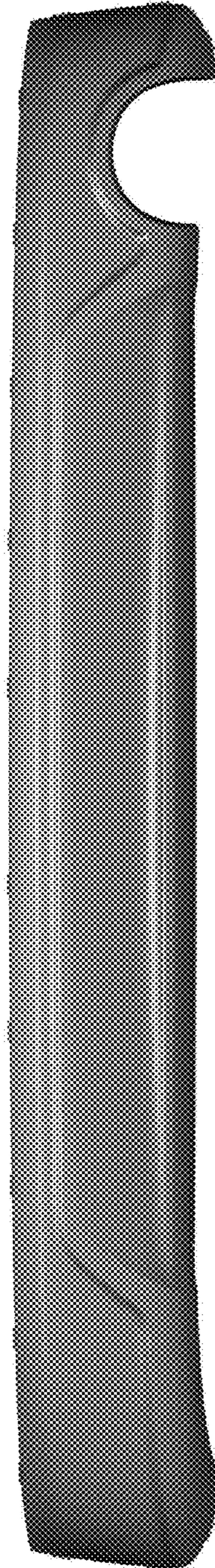


Fig. 1

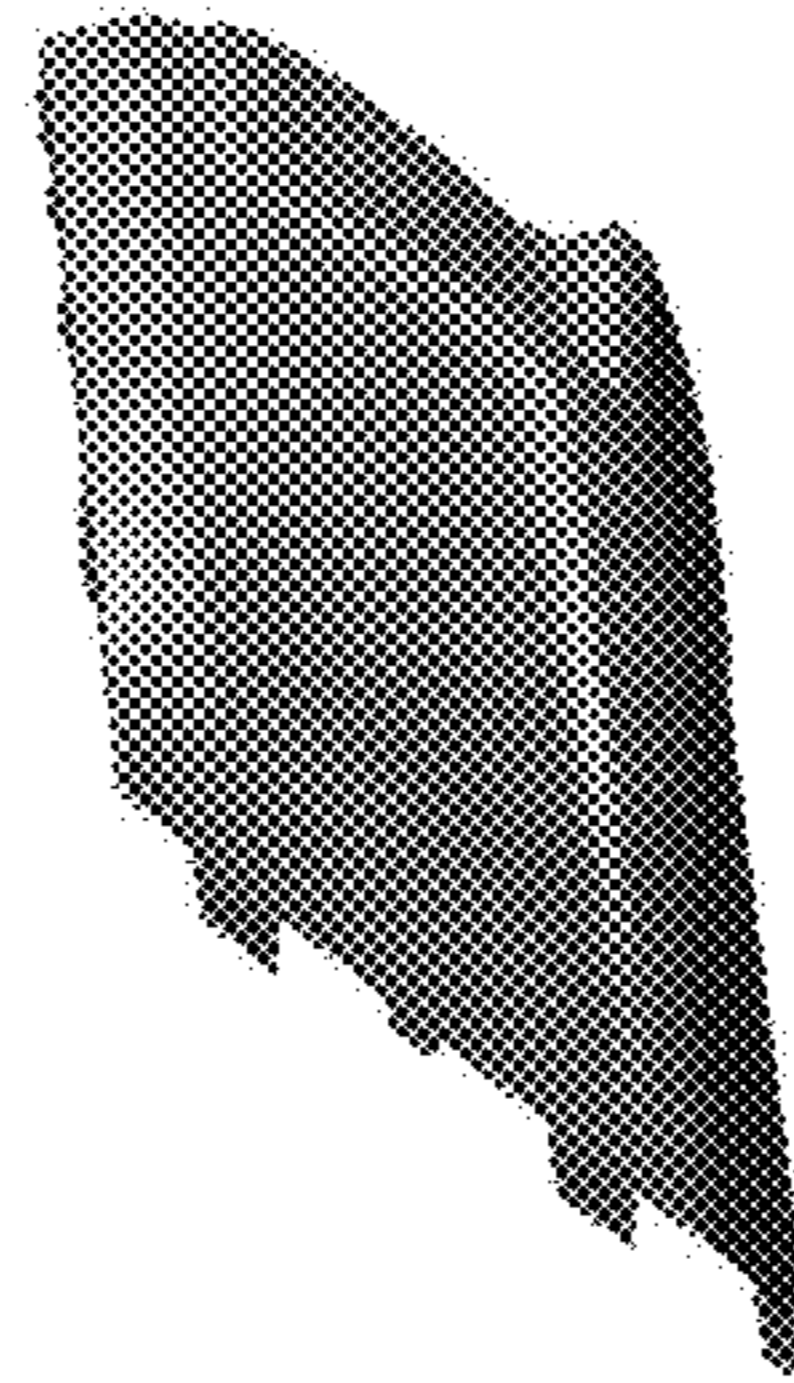


Fig. 2

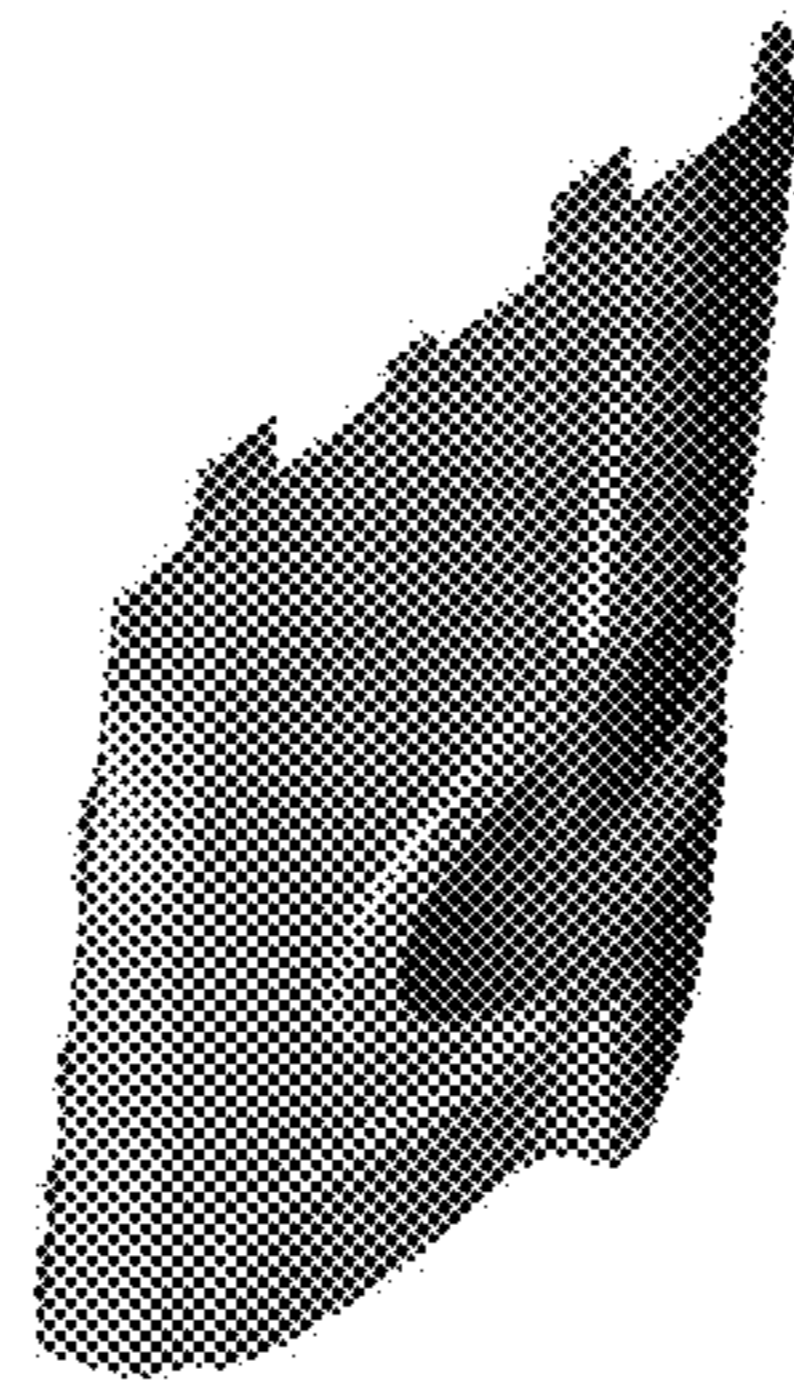


Fig. 3

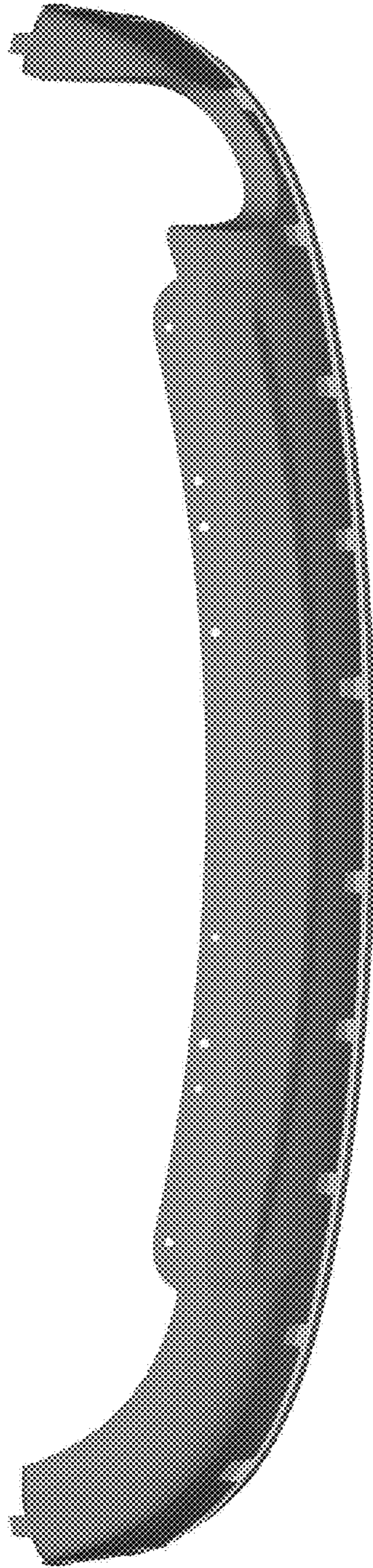


Fig. 4

Fig. 5

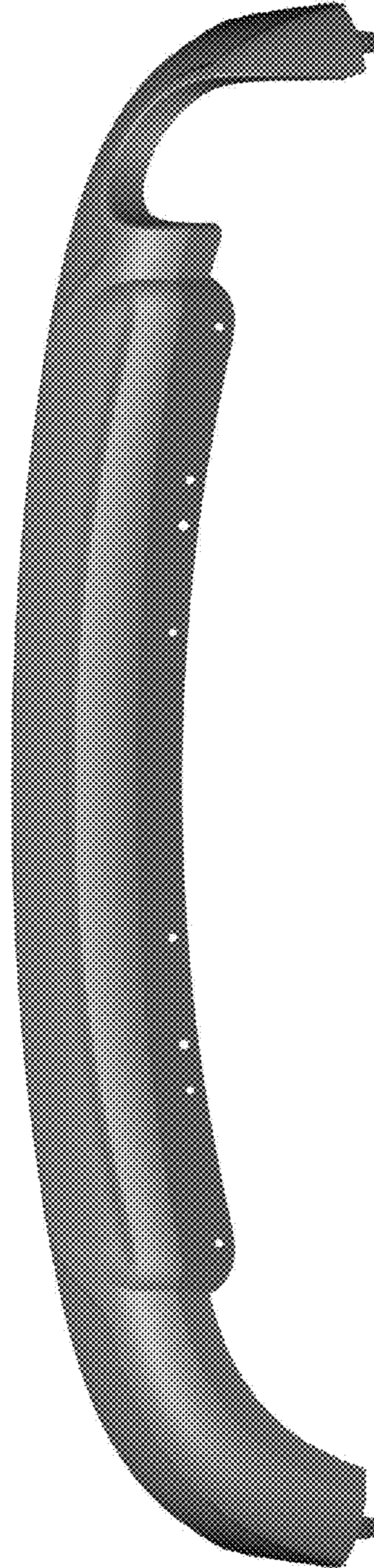
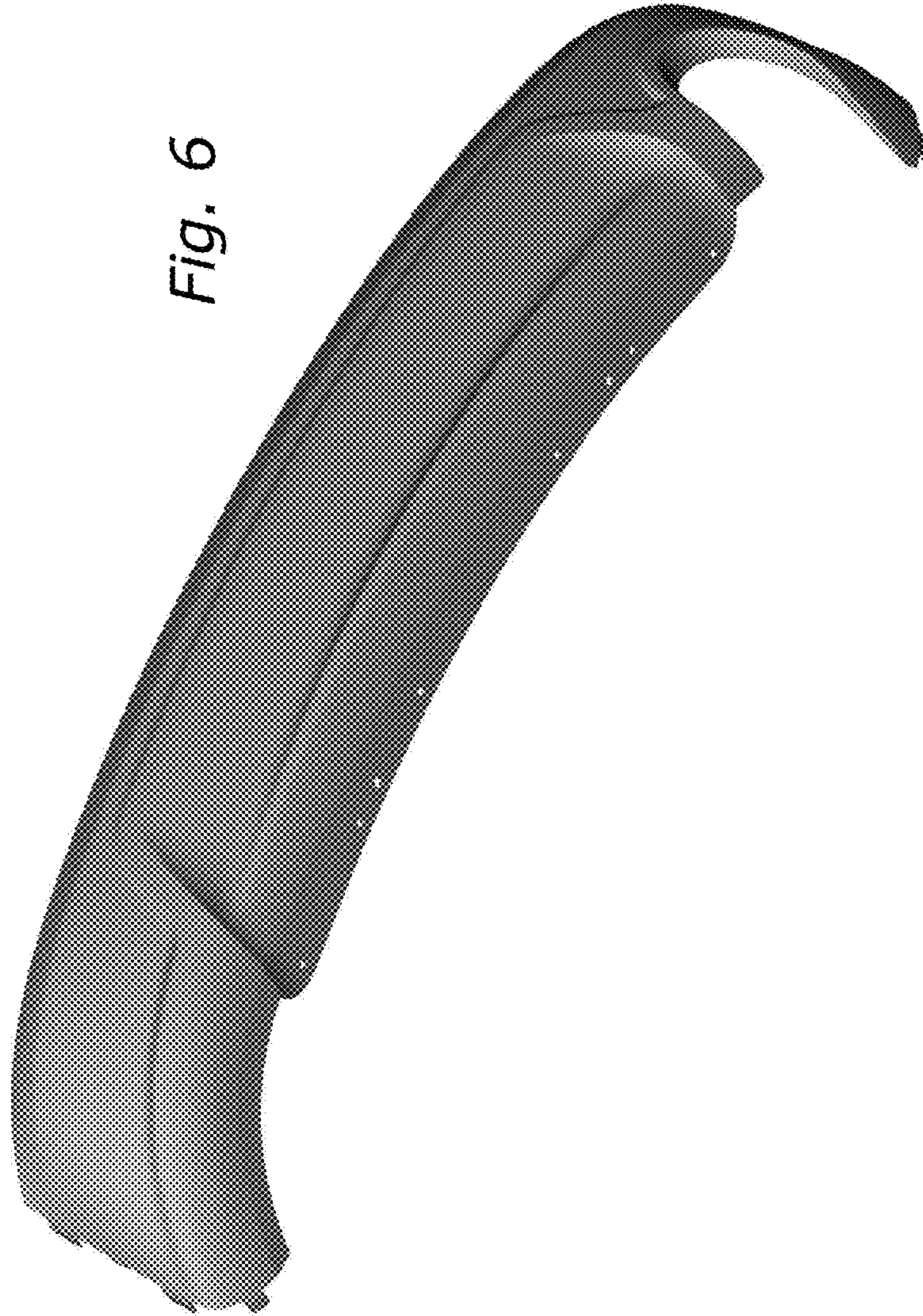


Fig. 6



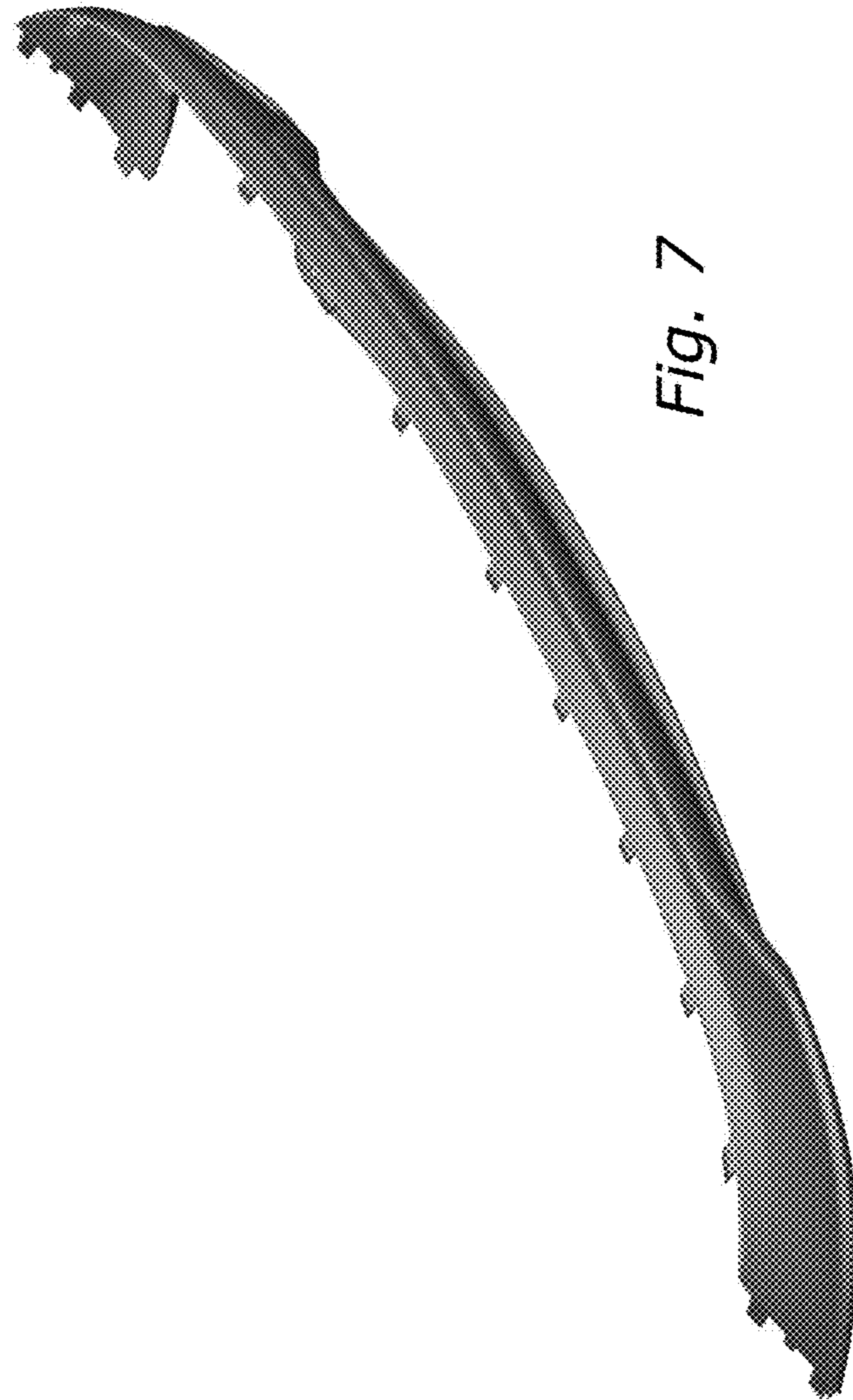


Fig. 7