



US00D853905S

(12) **United States Design Patent** (10) **Patent No.:** **US D853,905 S**
Betancourt et al. (45) **Date of Patent:** **** Jul. 16, 2019**

(54) **VEHICLE REAR UPPER BUMPER COVER**

(71) Applicant: **Ford Global Technologies, LLC**,
Dearborn, MI (US)
(72) Inventors: **Melvin Betancourt**, Shelby Township,
MI (US); **Eric Stoddard**, Birmingham,
MI (US); **Daniel J. Kangas**, Dearborn
Heights, MI (US); **Darrell P. Behmer**,
Novi, MI (US); **Craig S. Metros**,
Bloomfield, MI (US); **Christopher
Svensson**, Bloomfield, MI (US)

(73) Assignee: **Ford Global Technologies, LLC**,
Dearborn, MI (US)

(**) Term: **15 Years**

(21) Appl. No.: **29/640,734**

(22) Filed: **Mar. 16, 2018**

(51) **LOC (11) Cl.** **12-16**

(52) **U.S. Cl.**
USPC **D12/169**

(58) **Field of Classification Search**
USPC D12/169, 216, 90-92, 86, 171, 196, 163,
D12/190; 293/193.11; 296/180.1, 180.2;
180/68.1, 68.6
CPC B62D 25/08; B62B 9/16; B60K 11/08;
B60R 19/52; B60R 19/02; B60R 19/04
See application file for complete search history.

(56) **References Cited**

U.S. PATENT DOCUMENTS

D713,766 S * 9/2014 Katou D12/169
D725,010 S * 3/2015 Takei D12/169

D782,373 S * 3/2017 Curic D12/169
D792,291 S * 7/2017 Suga D12/169
D799,388 S * 10/2017 Smock D12/169
D800,034 S * 10/2017 Kojima D12/169
D802,500 S * 11/2017 Han D12/169
D814,994 S * 4/2018 Varga D12/169
D824,817 S * 8/2018 Morikawa D12/169
D824,818 S * 8/2018 Morikawa D12/169
D826,113 S * 8/2018 Kanai D12/169
D838,638 S * 1/2019 Wada D12/169
D841,537 S * 2/2019 Morikawa D12/169

* cited by examiner

Primary Examiner — Melody N Brown

(74) *Attorney, Agent, or Firm* — Vichit Chea

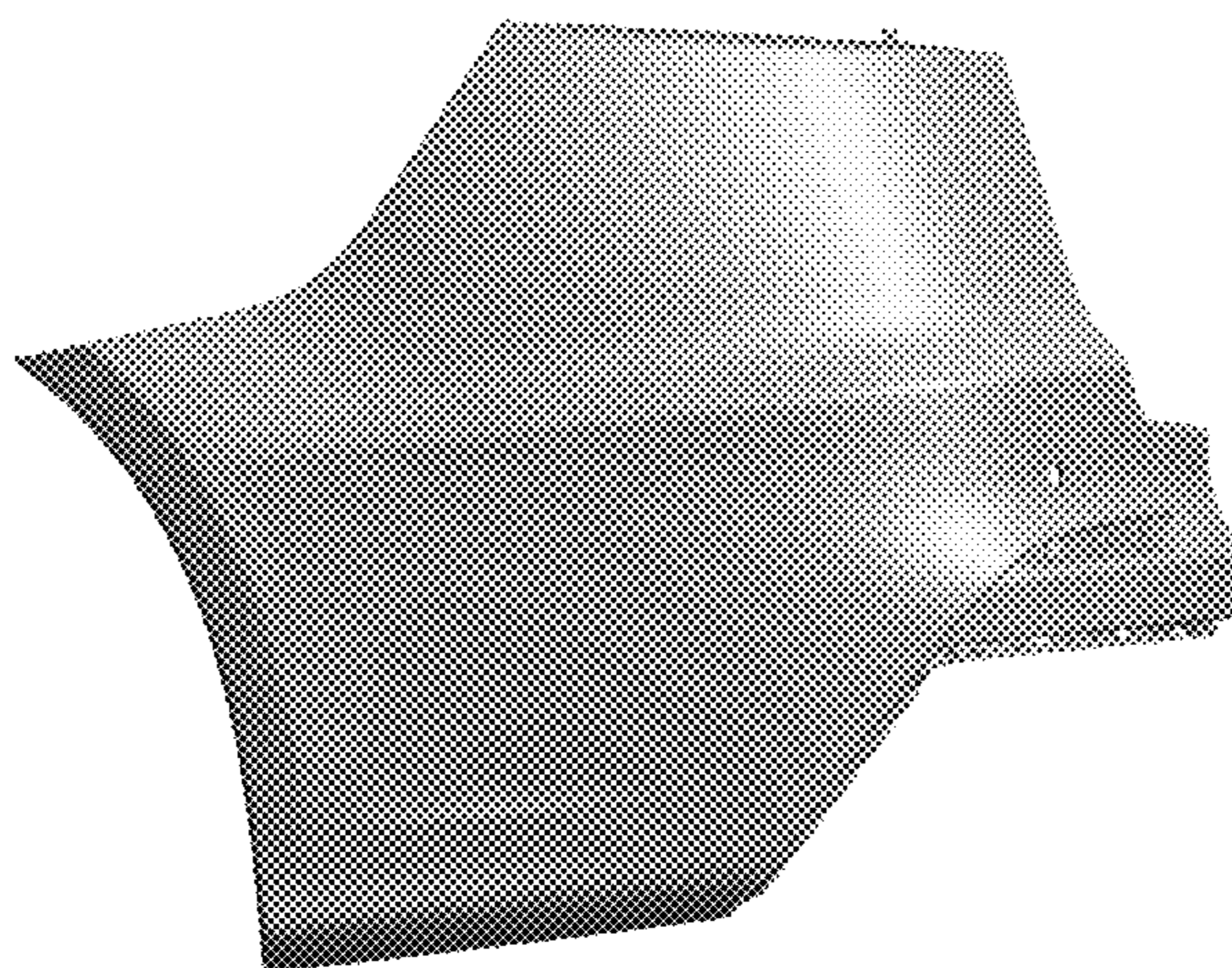
(57) **CLAIM**

The ornamental design for a vehicle rear upper bumper cover, as shown and described.

DESCRIPTION

FIG. 1 is a front elevational view of a vehicle rear upper bumper cover, showing our new design;
FIG. 2 is a left side elevational view thereof;
FIG. 3 is a right side elevational view thereof;
FIG. 4 is a top plan view thereof;
FIG. 5 is a bottom plan view thereof;
FIG. 6 is a top, front, and left side perspective view thereof;
and,
FIG. 7 is a bottom, front, and left side perspective view thereof.

1 Claim, 7 Drawing Sheets



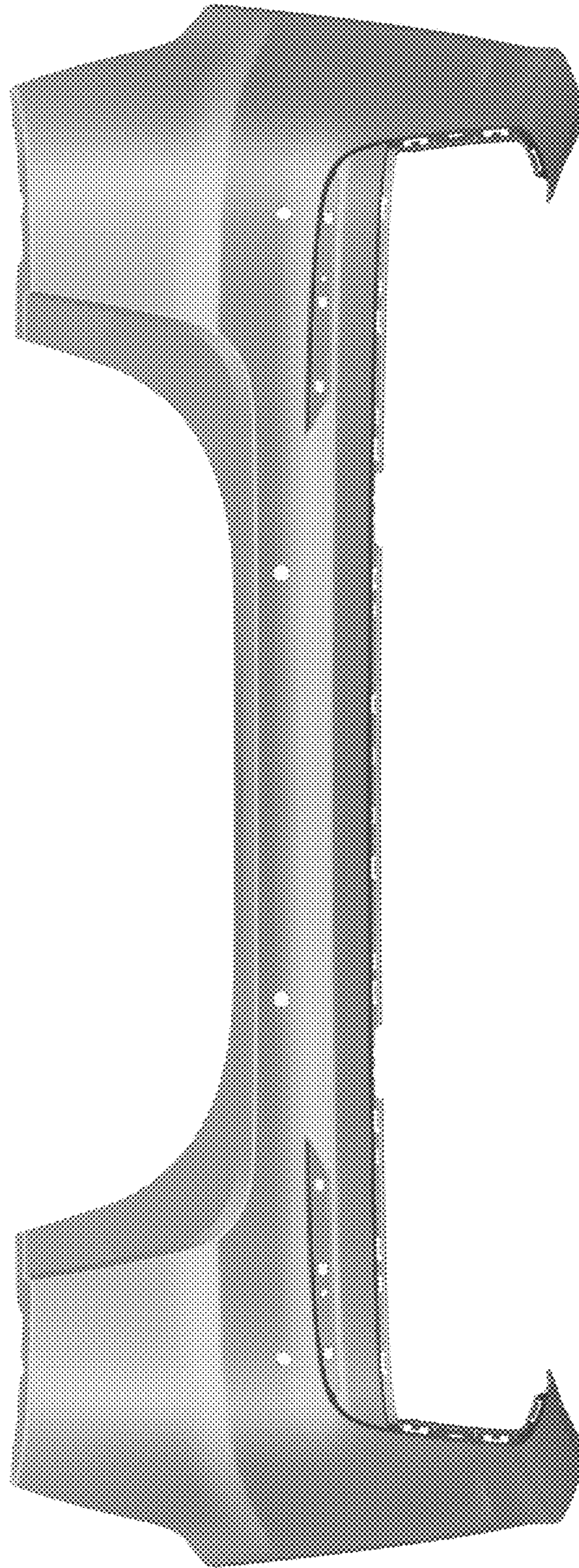


Fig. 1

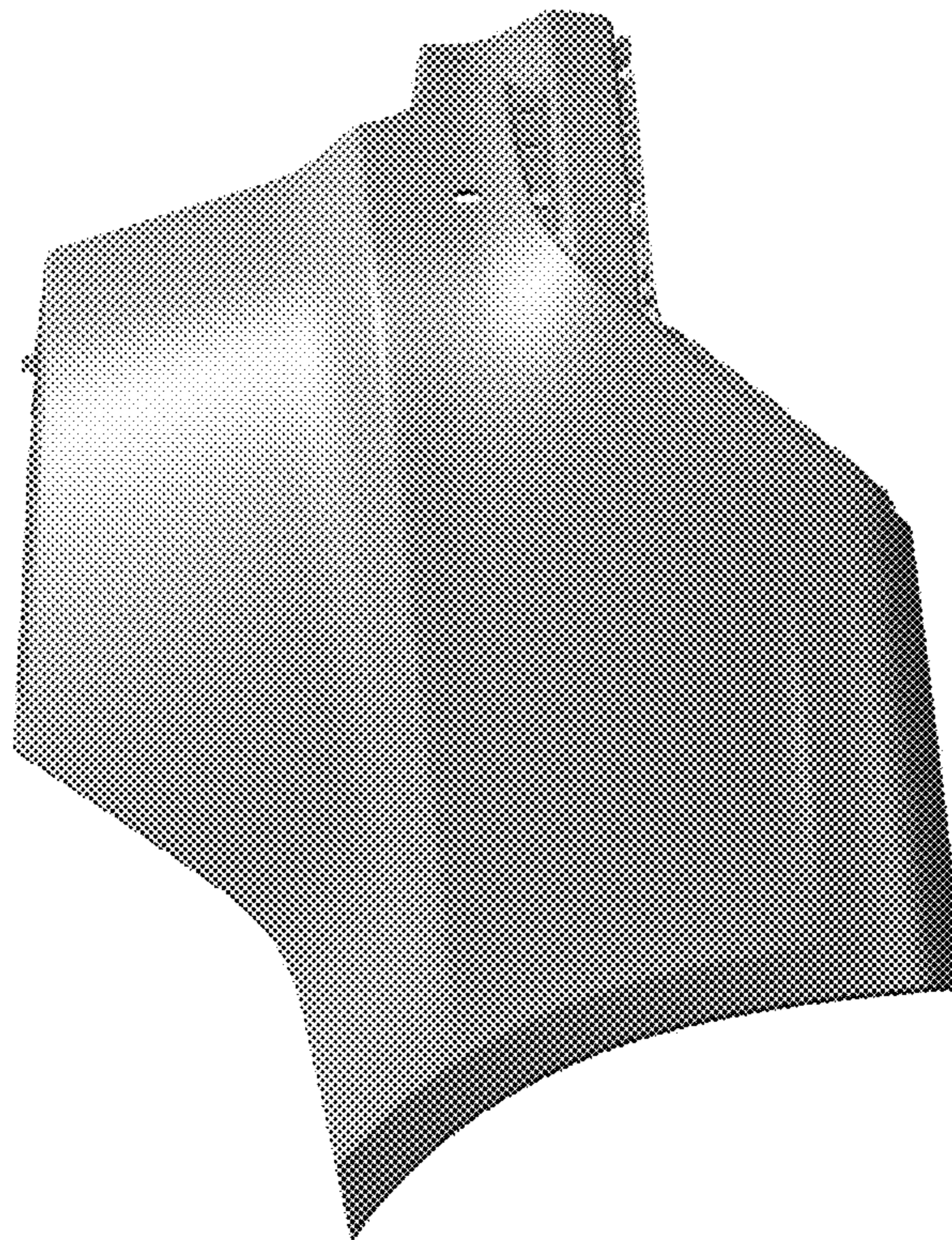


Fig. 2

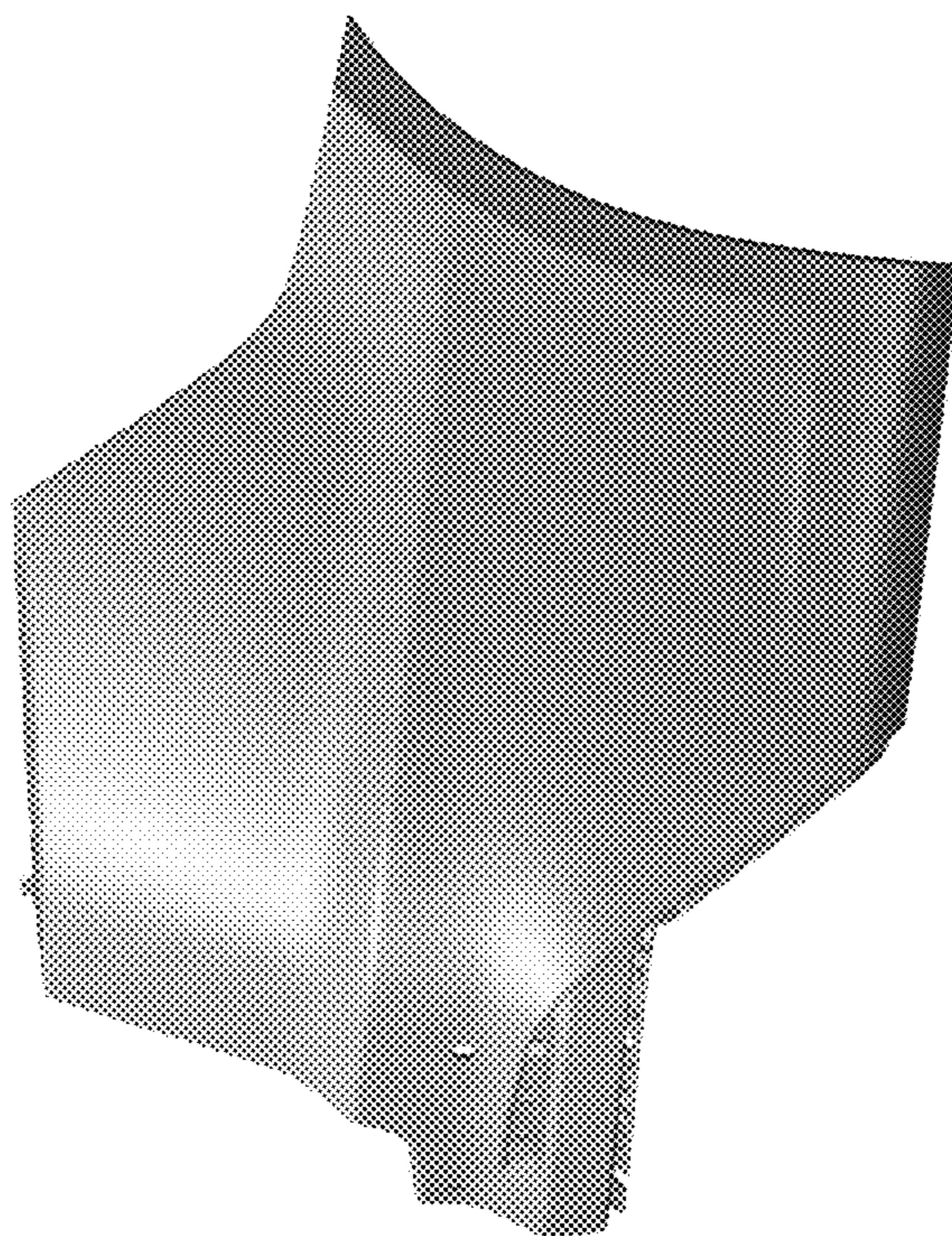


Fig. 3

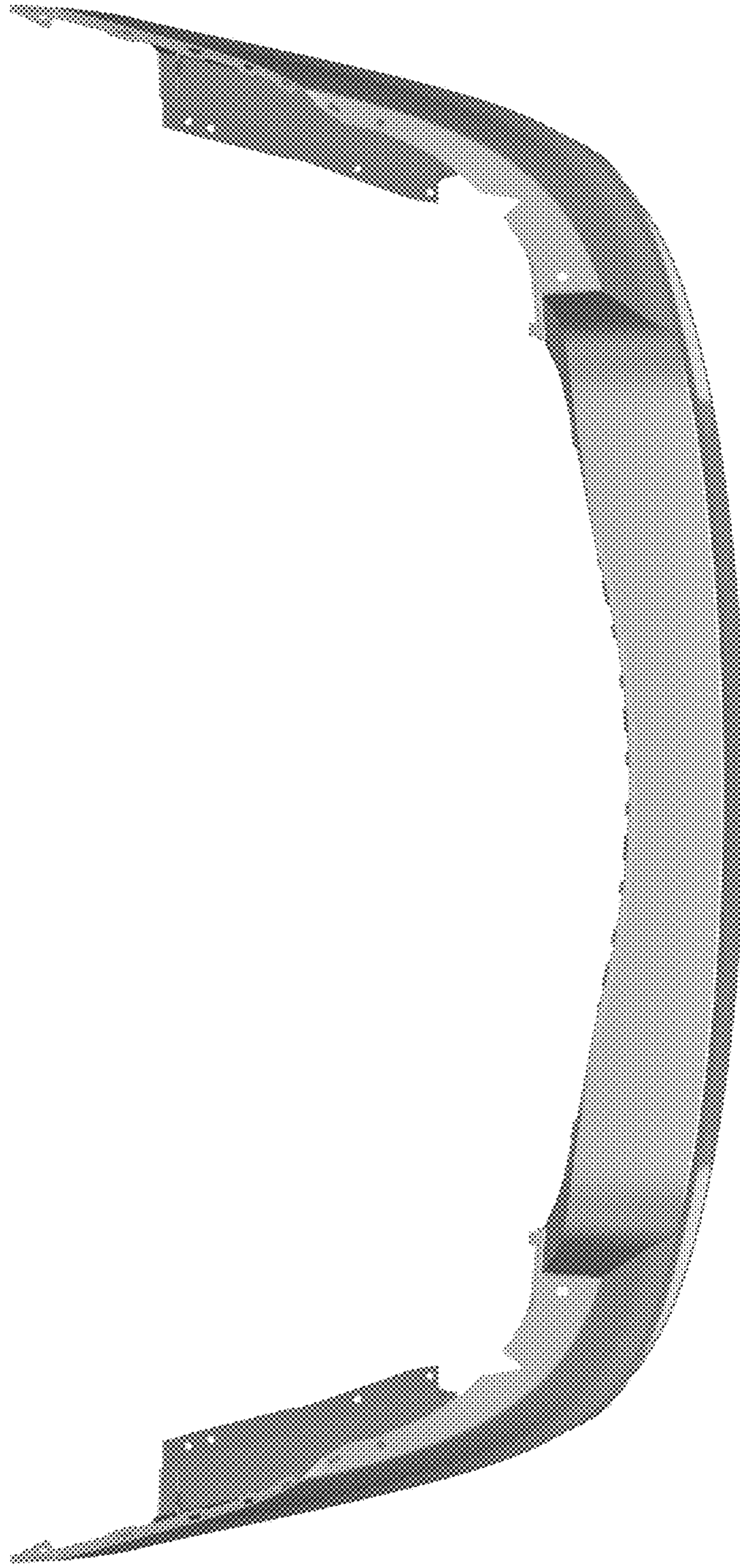


Fig. 4

Fig. 5

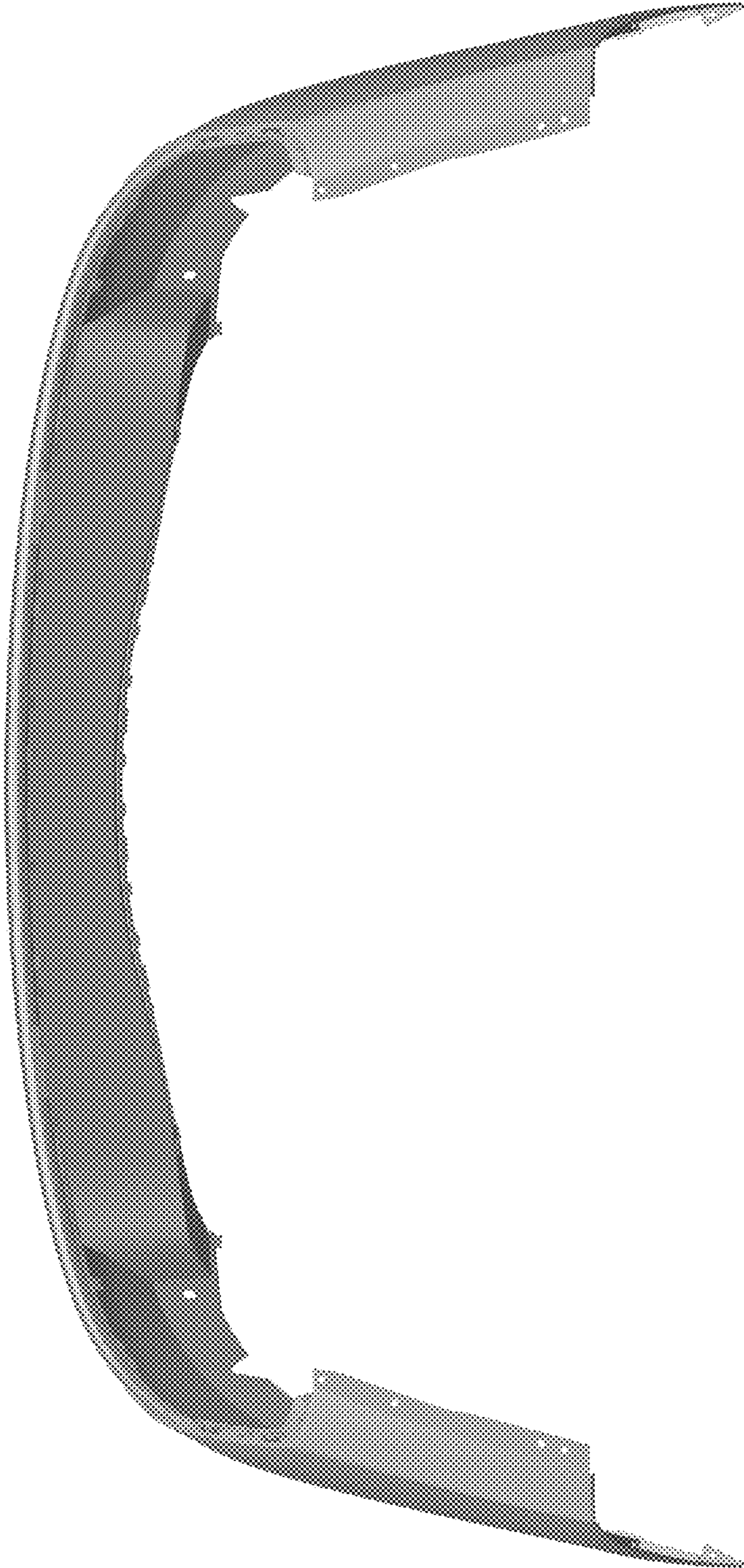




Fig. 6

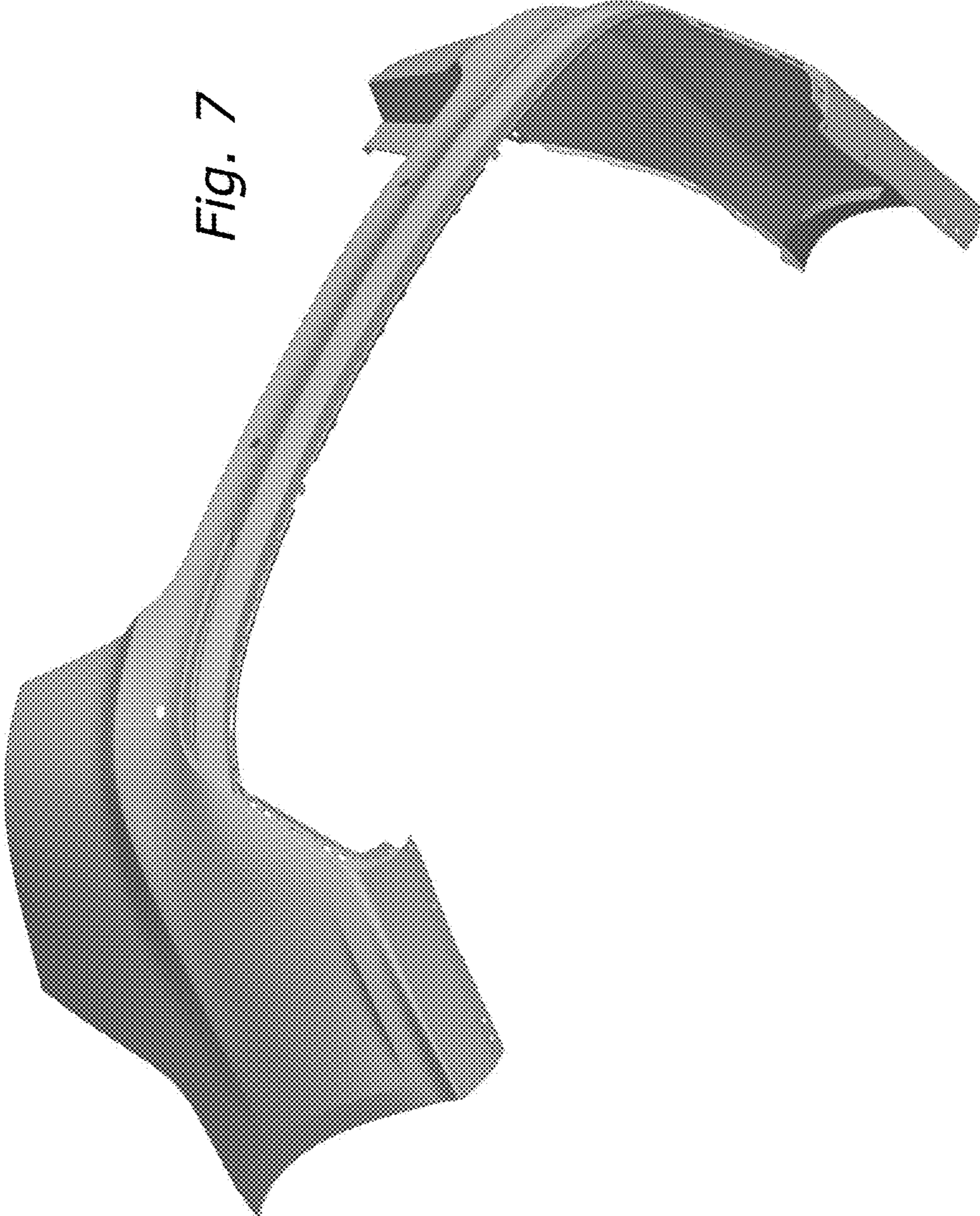


Fig. 7