



US00D853898S

(12) **United States Design Patent** (10) **Patent No.:** **US D853,898 S**  
**Bucher et al.** (45) **Date of Patent:** **\*\* Jul. 16, 2019**

(54) **VEHICLE FRONT LOWER GRILLE**

(71) Applicant: **Ford Global Technologies, LLC,**  
Dearborn, MI (US)

(72) Inventors: **George Bucher,** Dearborn, MI (US);  
**Craig S. Metros,** Bloomfield, MI (US);  
**Steven Gilmore,** Farmington Hills, MI  
(US); **Jesse R. Diephuis,** West  
Bloomfield, MI (US)

(73) Assignee: **Ford Global Technologies, LLC,**  
Dearborn, MI (US)

(\*\*) Term: **15 Years**

(21) Appl. No.: **29/631,983**

(22) Filed: **Jan. 4, 2018**

(51) **LOC (11) Cl.** ..... **12-16**

(52) **U.S. Cl.**  
USPC ..... **D12/163**

(58) **Field of Classification Search**  
USPC ..... D12/169, 196, 86, 90-92, 163, 190, 98,  
D12/164; 293/102, 113, 115, 117, 120,  
293/193.11; 296/180.1, 180.2; 180/68.1,  
180/68.6  
CPC ..... B60R 19/52; B60K 11/08; B62D 25/08;  
B62B 9/16  
See application file for complete search history.

(56) **References Cited**

U.S. PATENT DOCUMENTS

D678,824 S \* 3/2013 Behmer ..... D12/163  
D708,993 S \* 7/2014 Mays ..... D12/163

D712,318 S \* 9/2014 Mays ..... D12/163  
D712,321 S \* 9/2014 Mays ..... D12/163  
D825,406 S \* 8/2018 Gueler ..... D12/163  
D826,797 S \* 8/2018 Behmer ..... D12/163  
D827,508 S \* 9/2018 Whitla ..... D12/163  
D828,242 S \* 9/2018 Hill ..... D12/163  
D830,243 S \* 10/2018 Gueler ..... D12/163  
D832,142 S \* 10/2018 Gueler ..... D12/91  
D832,143 S \* 10/2018 Gueler ..... D12/91

\* cited by examiner

*Primary Examiner* — Melody N Brown

(74) *Attorney, Agent, or Firm* — Vichit Chea

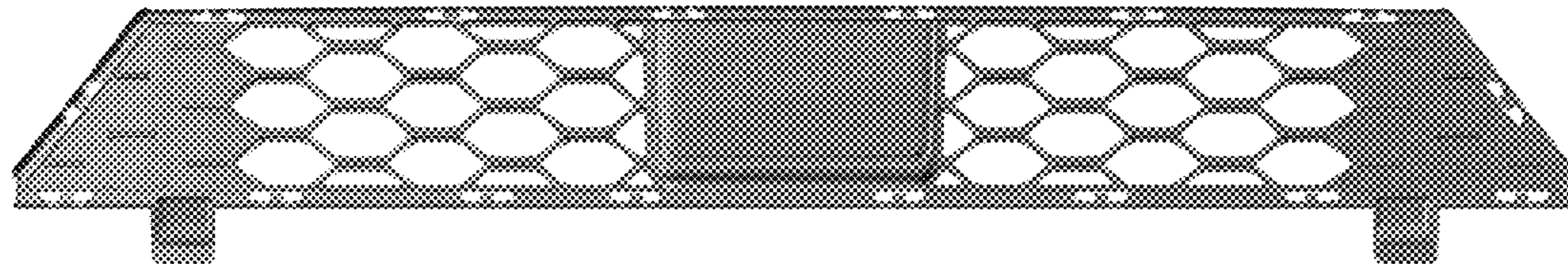
(57) **CLAIM**

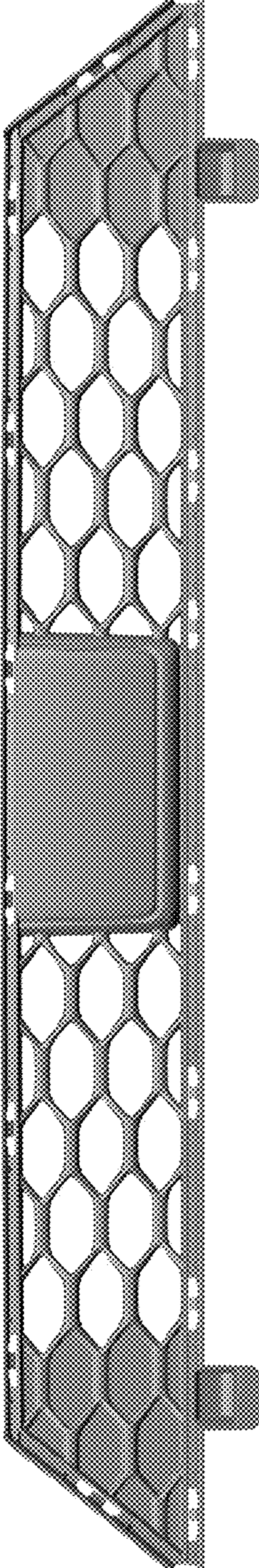
The ornamental design for a vehicle front lower grille, as shown and described.

**DESCRIPTION**

FIG. 1 is a front elevational view of a vehicle front lower grille, showing our new design;  
FIG. 2 is a rear elevational view thereof;  
FIG. 3 is a left side elevational view thereof;  
FIG. 4 is a right side elevational view thereof;  
FIG. 5 is a top plan view thereof;  
FIG. 6 is a bottom plan view thereof;  
FIG. 7 is a top, front, and left side perspective view thereof;  
FIG. 8 is a bottom, front, and left side perspective view thereof; and,  
FIG. 9 is a top, rear, and left side perspective view thereof.

**1 Claim, 9 Drawing Sheets**





*Fig. 1*

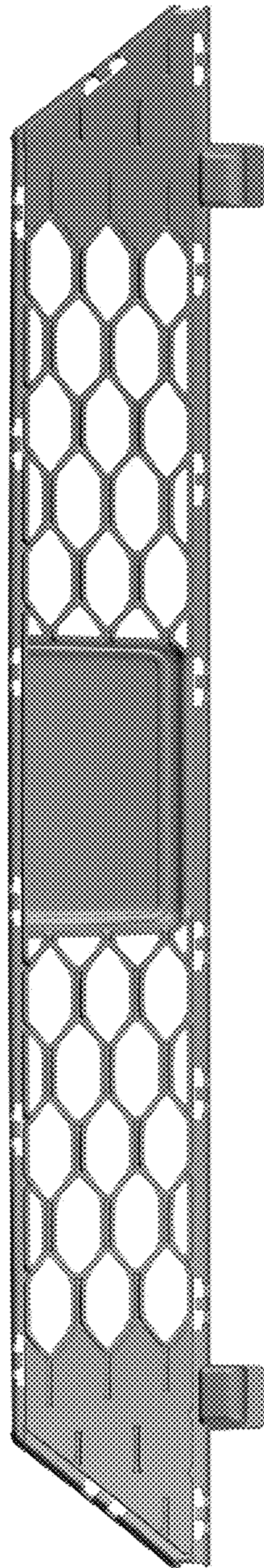


Fig. 2

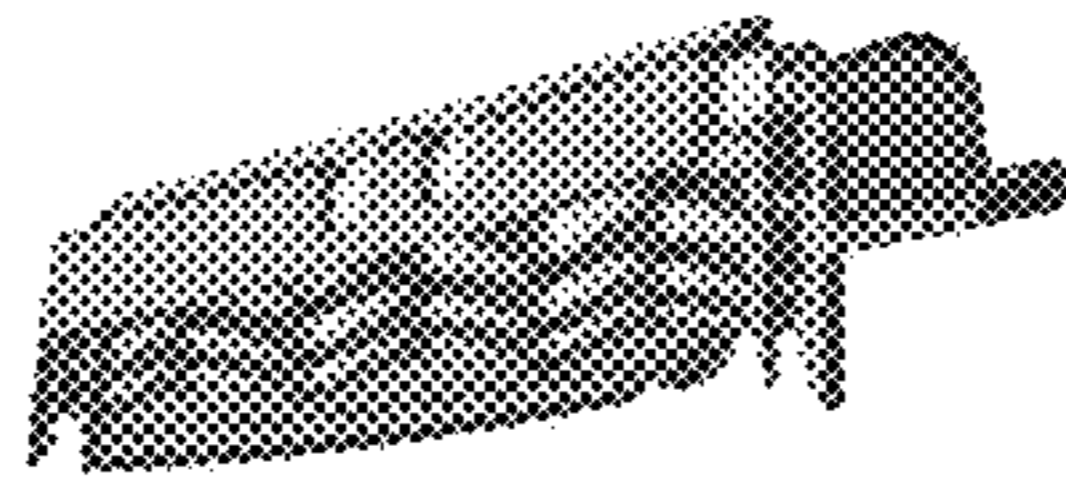


Fig. 3

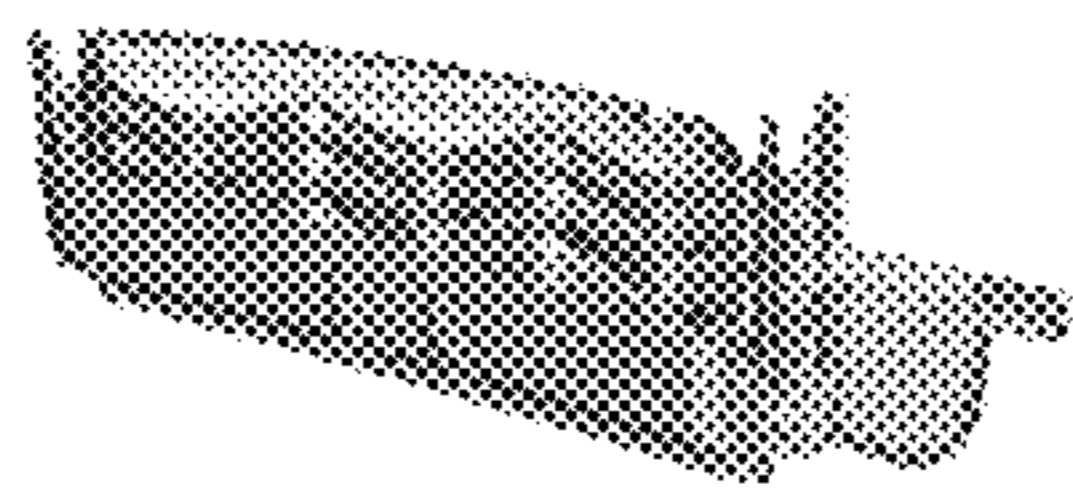


Fig. 4

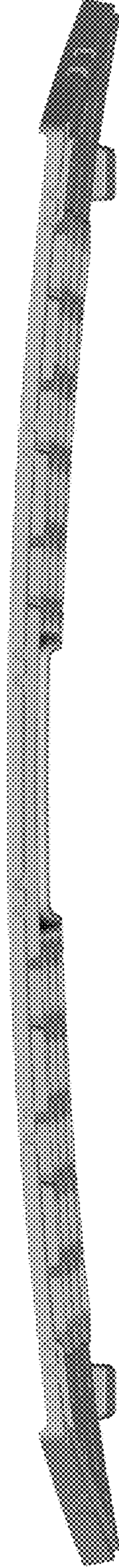


Fig. 5

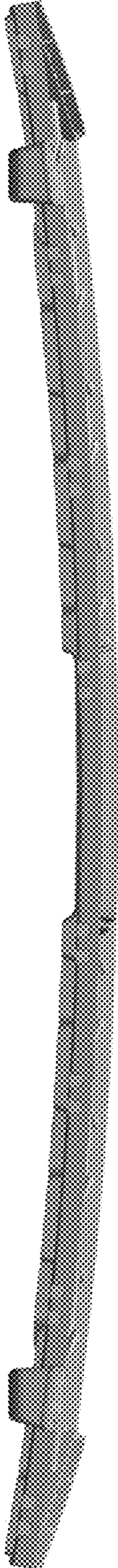


Fig. 6

Fig. 7





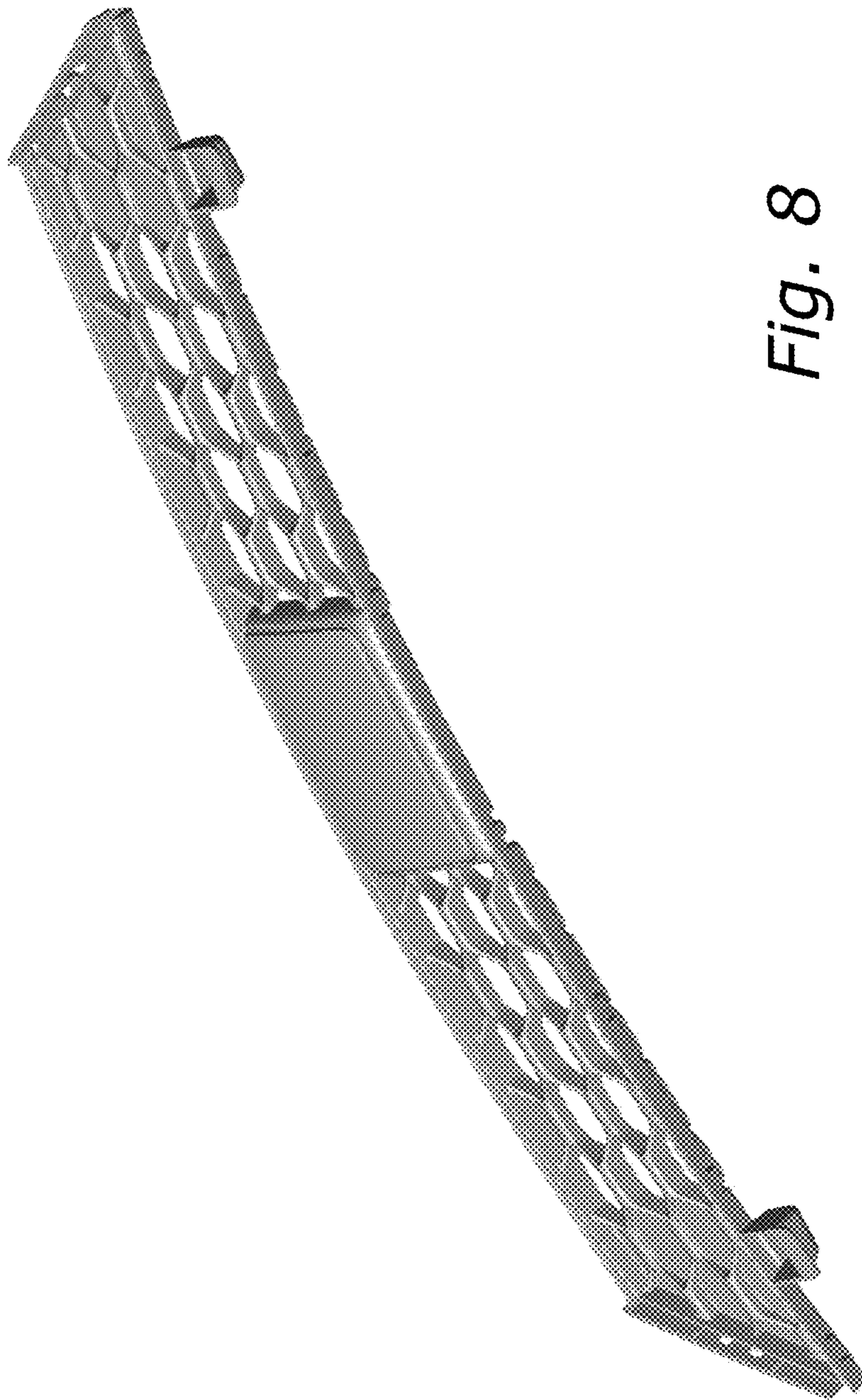


Fig. 8

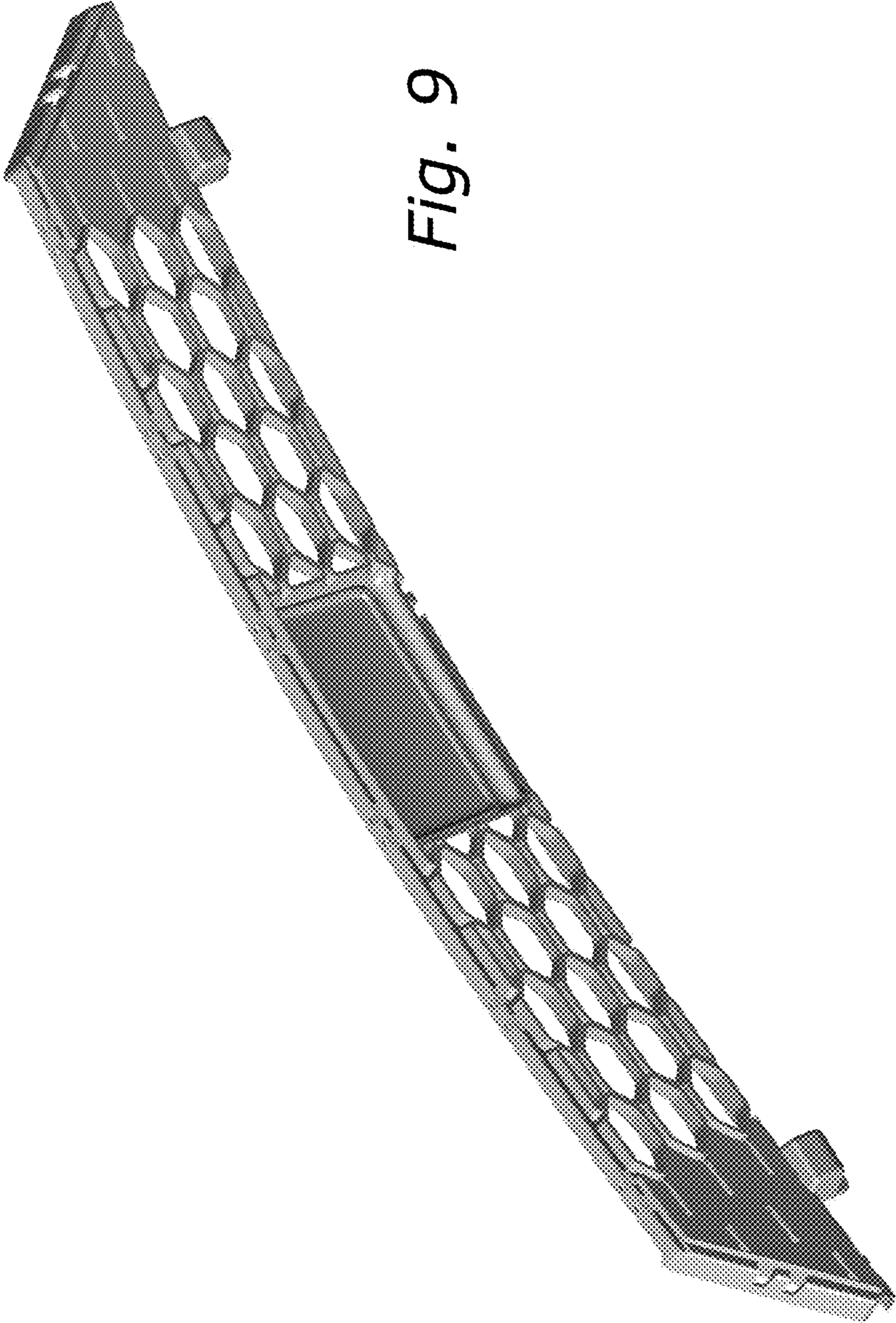


Fig. 9