



US00D853896S

(12) **United States Design Patent**
Yang

(10) **Patent No.:** **US D853,896 S**
(45) **Date of Patent:** **** Jul. 16, 2019**

- (54) **GRILLE FOR A VEHICLE**
- (71) Applicants: **Warner Science Applications Corp.**,
Ontario, CA (US); **Paramount**
Automotive Restyling Inc., Ontario,
CA (US)
- (72) Inventor: **Mingfa Yang**, Calabasas, CA (US)
- (73) Assignees: **Warner Science Applications Corp.**,
Ontario, CA (US); **Paramount**
Automotive Restyling Inc., Ontario,
CA (US)
- (**) Term: **15 Years**
- (21) Appl. No.: **29/631,750**
- (22) Filed: **Jan. 2, 2018**
- (51) **LOC (11) Cl.** **12-16**
- (52) **U.S. Cl.**
USPC **D12/163**
- (58) **Field of Classification Search**
USPC D12/163, 164, 165, 166, 167, 168, 169,
D12/170, 171, 172, 173, 181
CPC B62D 25/08; B60R 19/50; B62L 39/16;
B60K 11/08
See application file for complete search history.

- D496,890 S 10/2004 Metros et al.
- D509,466 S 9/2005 Marchese et al.
- D510,303 S 10/2005 Spagnola
- D514,480 S 2/2006 Yamaji et al.
- D526,605 S 8/2006 Chung
- D527,319 S 8/2006 Yakushi
- D533,119 S 12/2006 Schiavone et al.
- D535,223 S 1/2007 Gaffka
- D540,714 S 4/2007 Mueller-Stolz
- D541,711 S 5/2007 Golden et al.

(Continued)

Primary Examiner — Susan Bennett Hattan
Assistant Examiner — Suzanne E Tisdell
(74) *Attorney, Agent, or Firm* — Chen Yoshimura LLP

(57) **CLAIM**

The ornamental design for a grille for a vehicle, as shown and described.

DESCRIPTION

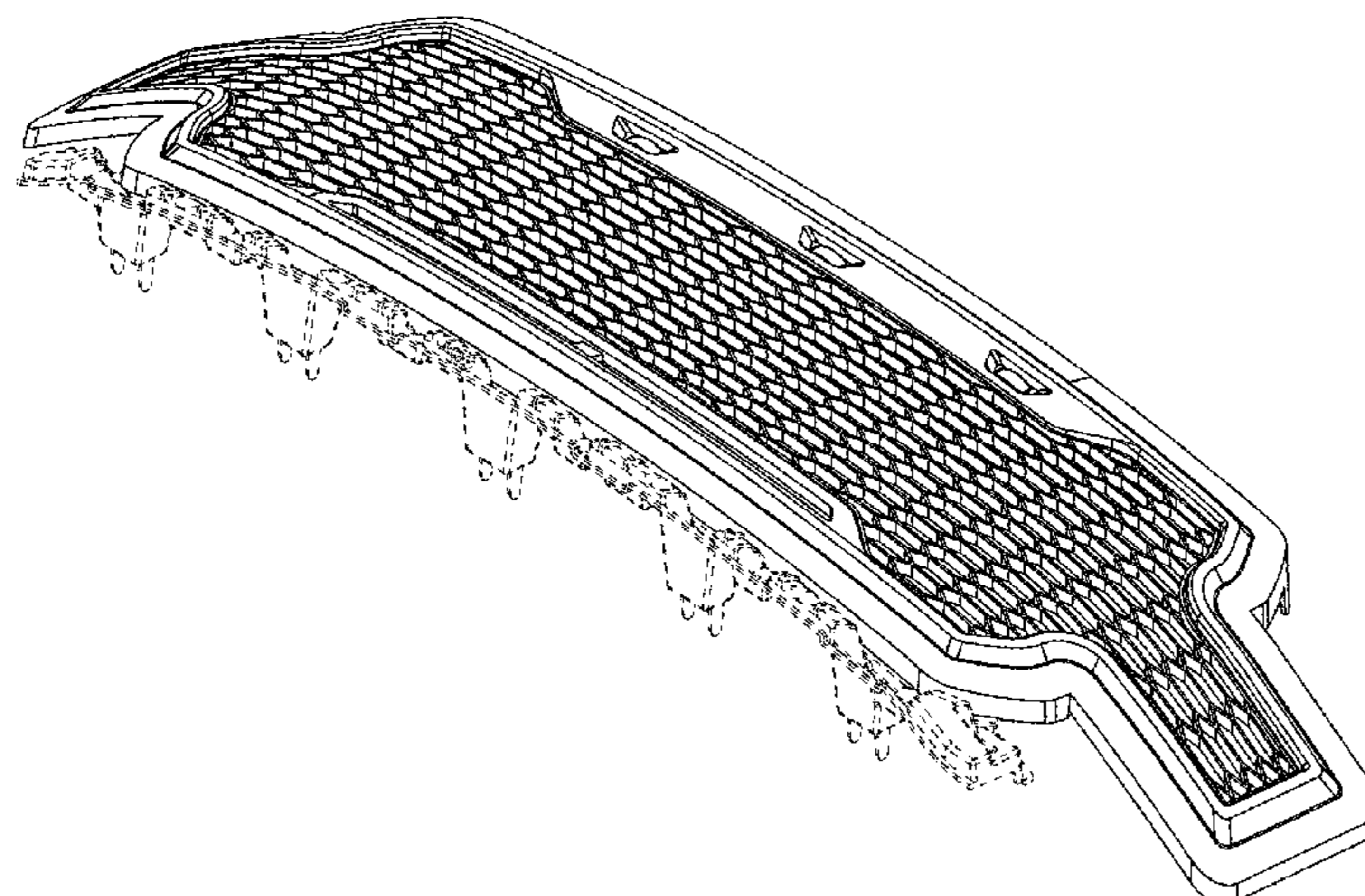
FIG. 1 is a front, bottom and right side perspective view of a grille showing a first embodiment of my new design; FIG. 2 is a front elevational view thereof; FIG. 3 is a rear elevational view thereof; FIG. 4 is a left side elevational view thereof; FIG. 5 is a right side elevational view thereof; FIG. 6 is a top plan view thereof; FIG. 7 is a bottom plan view thereof; FIG. 8 is a front, bottom and right side perspective view of a grille showing a second embodiment of my new design; FIG. 9 is a front elevational view thereof; FIG. 10 is a rear elevational view thereof; FIG. 11 is a left side elevational view thereof; FIG. 12 is a right side elevational view thereof; FIG. 13 is a top plan view thereof; and, FIG. 14 is a bottom plan view thereof. The broken lines showing mounting features for the grille are included for the purpose of illustrating environmental structures, and form no part of the claimed design.

1 Claim, 14 Drawing Sheets

(56) **References Cited**

U.S. PATENT DOCUMENTS

- D249,677 S 9/1978 Cline
- D259,873 S 7/1981 Milner
- D380,722 S 7/1997 Burton et al.
- D380,723 S 7/1997 Burton et al.
- D425,834 S 5/2000 Sousamian
- D451,432 S 12/2001 Leutz
- 6,328,358 B1 * 12/2001 Berweiler B60R 19/52
180/68.6
- D472,191 S 3/2003 Yamaguchi et al.
- D495,979 S * 9/2004 Metros D12/163



(56)

References Cited

U.S. PATENT DOCUMENTS

D551,145 S 9/2007 Canitano
 D579,829 S * 11/2008 Hokao D12/163
 D591,651 S 5/2009 Shelby
 D598,334 S * 8/2009 Giachin D12/163
 D629,720 S 12/2010 Manzoni
 D645,790 S 9/2011 Vardis et al.
 D660,751 S * 5/2012 Matei D12/163
 D678,140 S 3/2013 Hamilton et al.
 D683,668 S * 6/2013 Thurber D12/163
 D690,620 S 10/2013 Scheinhuetten et al.
 D698,705 S 2/2014 Rupar
 D703,111 S * 4/2014 Platto D12/163
 D704,102 S 5/2014 Nurnberger
 D712,316 S 9/2014 O'Donnell et al.
 D713,765 S 9/2014 Peltola et al.
 D716,195 S * 10/2014 Sperling D12/163
 D718,196 S 11/2014 Whang et al.
 D718,673 S * 12/2014 Thole D12/163
 D724,493 S 3/2015 Kobayashi
 D726,598 S 4/2015 Rupar et al.
 D729,705 S * 5/2015 Gunnarson D12/163
 D730,785 S 6/2015 Hammoud et al.
 D731,928 S 6/2015 Manzoni
 D746,186 S 12/2015 Curic et al.
 D754,572 S * 4/2016 McMahan D12/163
 D758,926 S 6/2016 Rupar
 D758,928 S 6/2016 Messale et al.
 D761,163 S * 7/2016 Sato D12/164
 9,475,433 B1 * 10/2016 Mallory, III B60R 13/00
 D771,527 S 11/2016 Messale et al.
 D773,347 S 12/2016 Whang
 D773,963 S 12/2016 Battams
 D774,998 S 12/2016 Munakata et al.
 D775,554 S 1/2017 Kapitonov
 D777,065 S 1/2017 Patel et al.
 D782,367 S 3/2017 Donckerwolke et al.
 D783,466 S 4/2017 Svensson et al.
 D783,467 S 4/2017 Svensson
 D787,384 S 5/2017 Ito et al.

D790,409 S * 6/2017 Baste D12/163
 D790,410 S 6/2017 Ito et al.
 D790,411 S * 6/2017 Labanowicz D12/163
 D790,412 S 6/2017 Dunford et al.
 D792,810 S 7/2017 Kim et al.
 D795,760 S 8/2017 Kozub et al.
 D795,765 S 8/2017 Rolfs et al.
 D796,390 S 9/2017 Pevovar et al.
 D803,109 S 11/2017 Carter
 D805,005 S 12/2017 Tomita
 D807,242 S 1/2018 Piscitelli et al.
 D811,954 S 3/2018 Park
 D812,525 S 3/2018 Lee
 D813,097 S 3/2018 Szavits
 D813,736 S 3/2018 Jevremovic et al.
 D813,737 S 3/2018 Beermann
 D814,981 S 4/2018 Villamizar
 D814,982 S 4/2018 Whitley et al.
 D815,003 S 4/2018 MacNeil et al.
 D817,815 S 5/2018 Hubers et al.
 D818,895 S 5/2018 Lee
 D819,506 S 6/2018 Han
 D822,549 S 7/2018 Platto et al.
 2004/0124670 A1 7/2004 Tate
 2005/0006928 A1 * 1/2005 Diehl B60R 19/52
 296/193.1
 2006/0119115 A1 * 6/2006 Filip B60R 19/52
 293/115
 2006/0237995 A1 * 10/2006 Huttenlocher B60R 13/005
 296/193.1
 2007/0199751 A1 * 8/2007 Bradley B60K 11/085
 180/68.1
 2014/0291056 A1 * 10/2014 Takanaga B60K 11/085
 180/274
 2015/0090510 A1 4/2015 Yoshino et al.
 2015/0091328 A1 4/2015 Pugh-Jones et al.
 2017/0106741 A1 * 4/2017 Shaw B60K 11/085
 2017/0137954 A1 * 5/2017 Hashimoto B60K 11/08
 2018/0009500 A1 1/2018 Lovold et al.
 2018/0178677 A1 6/2018 Swain et al.

* cited by examiner

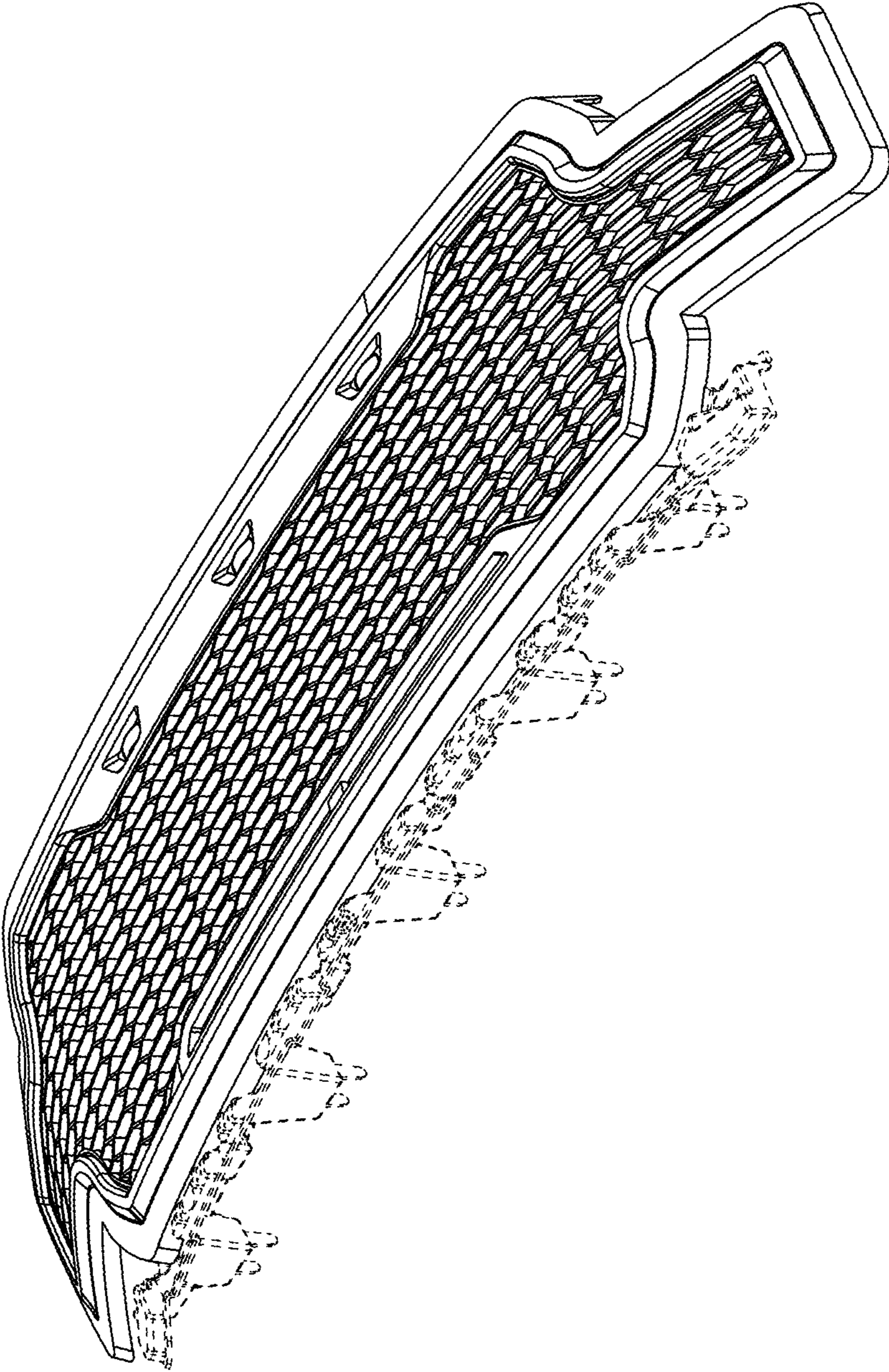


FIG. 1

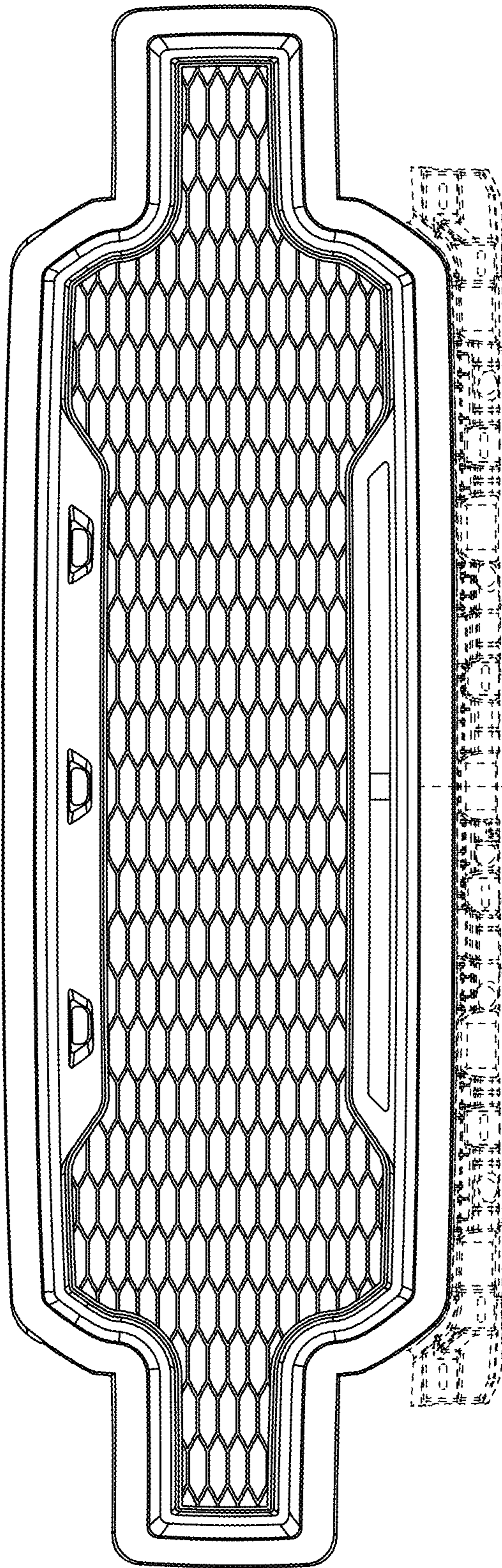


FIG. 2

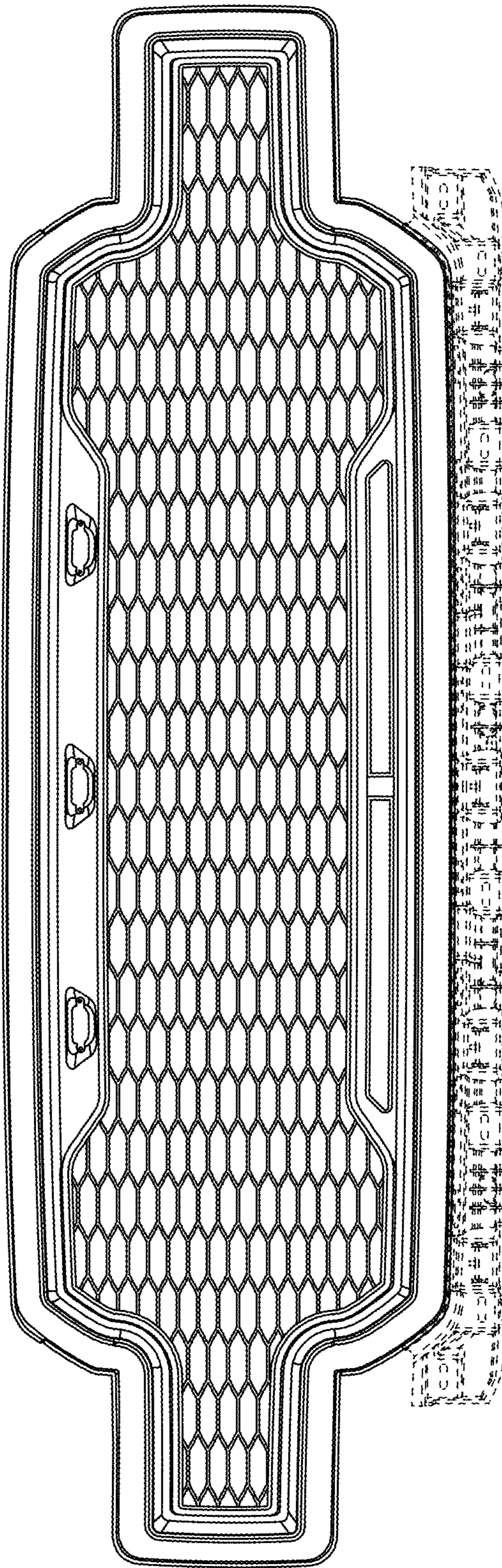


FIG. 3

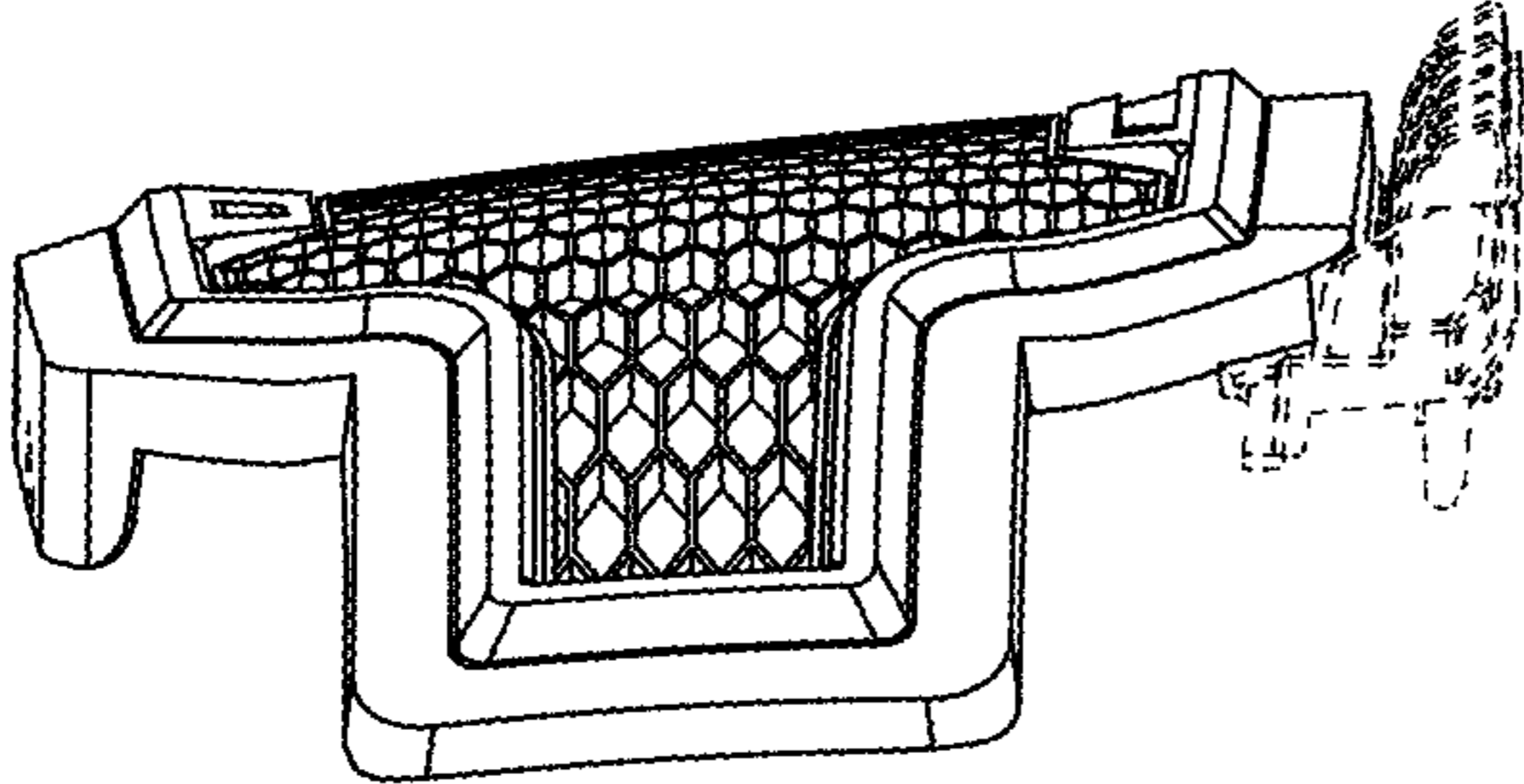


FIG. 4

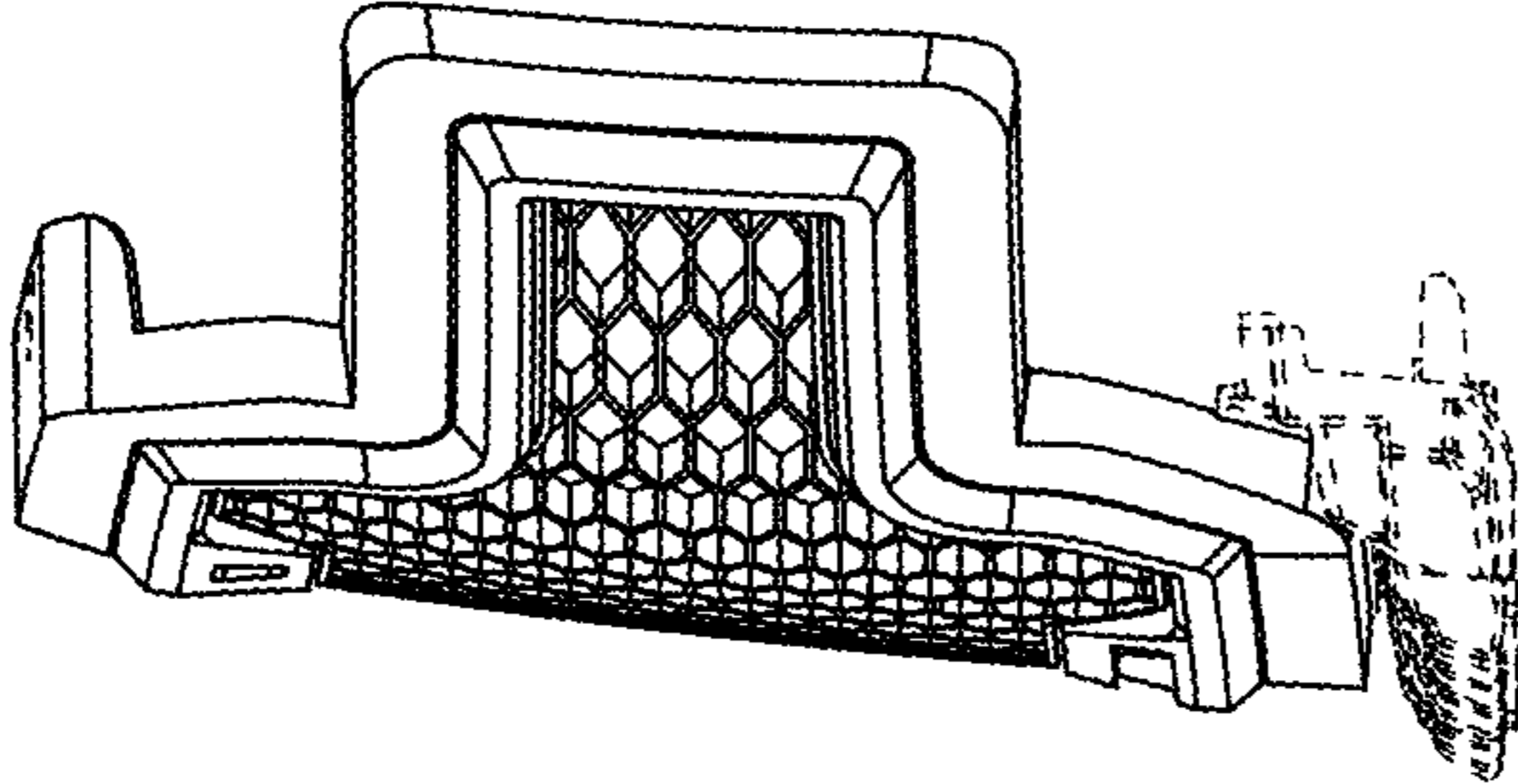


FIG. 5

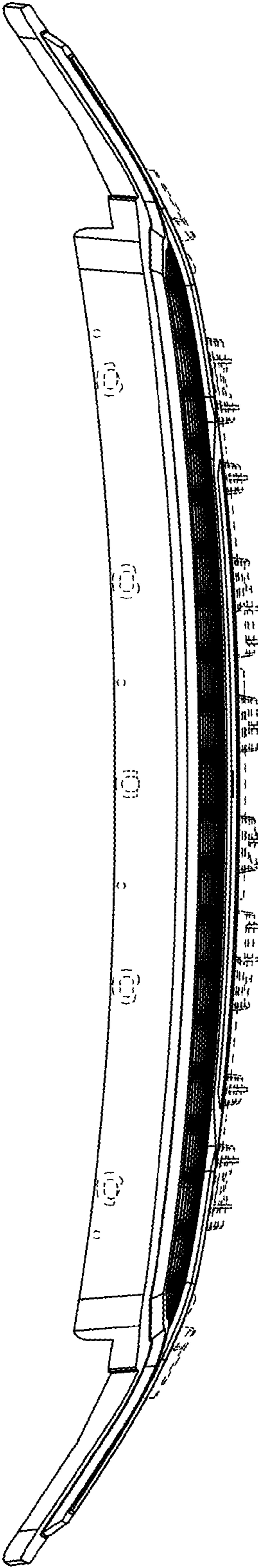


FIG. 6

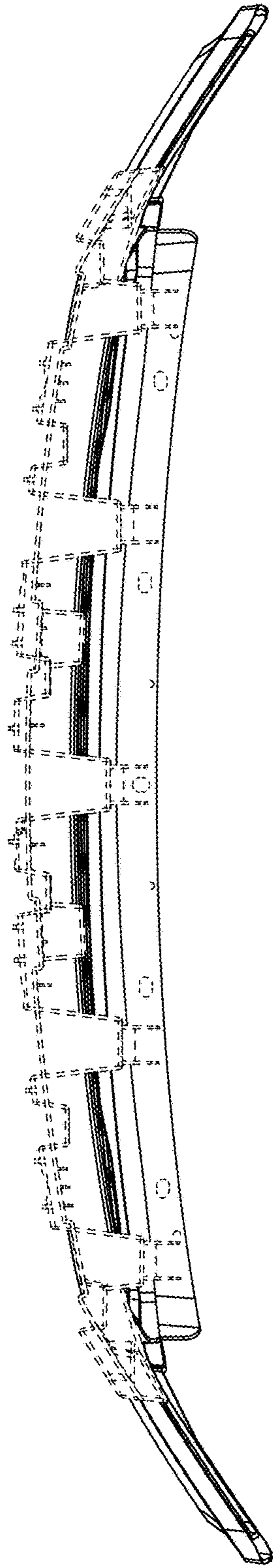


FIG. 7

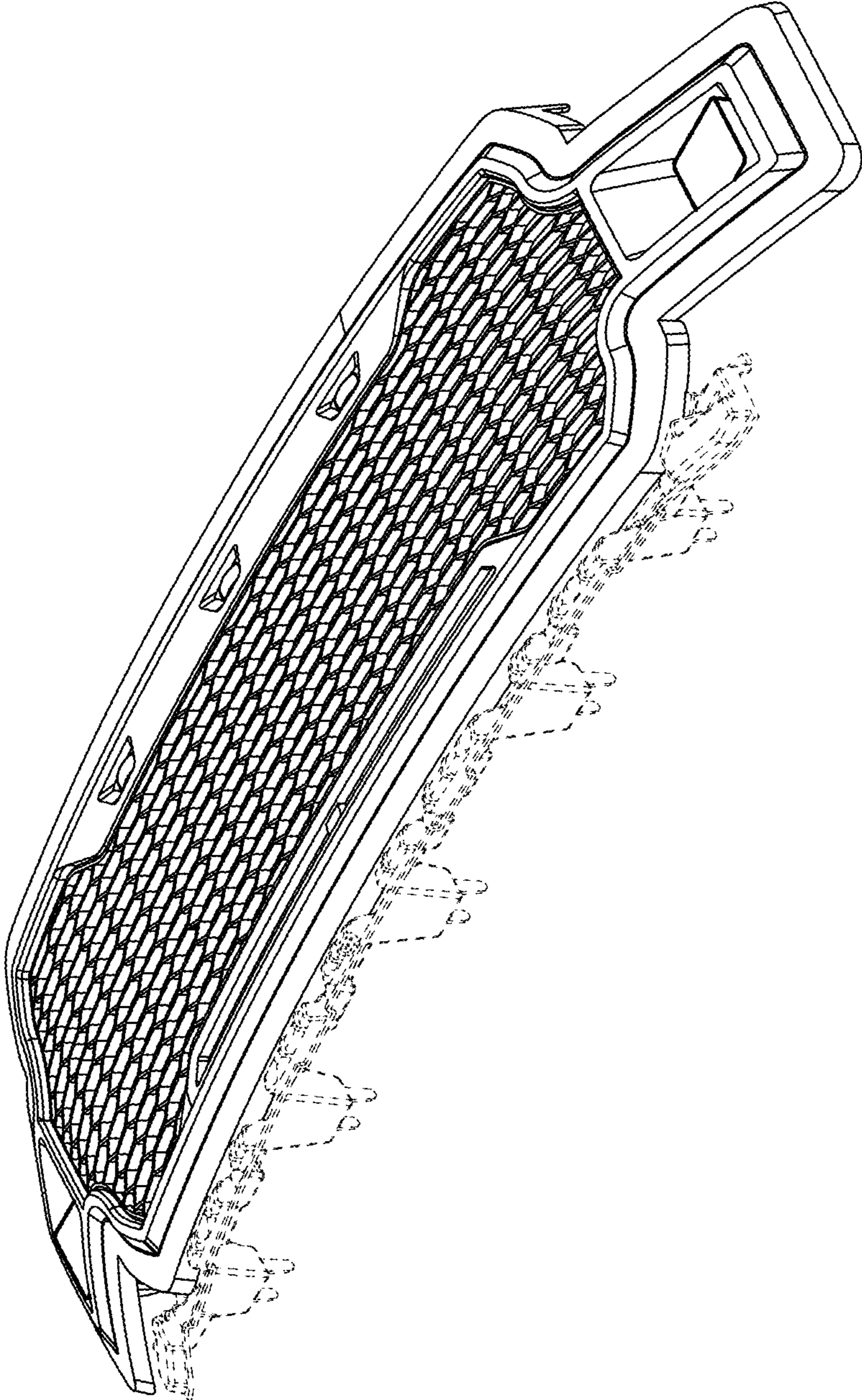


FIG. 8

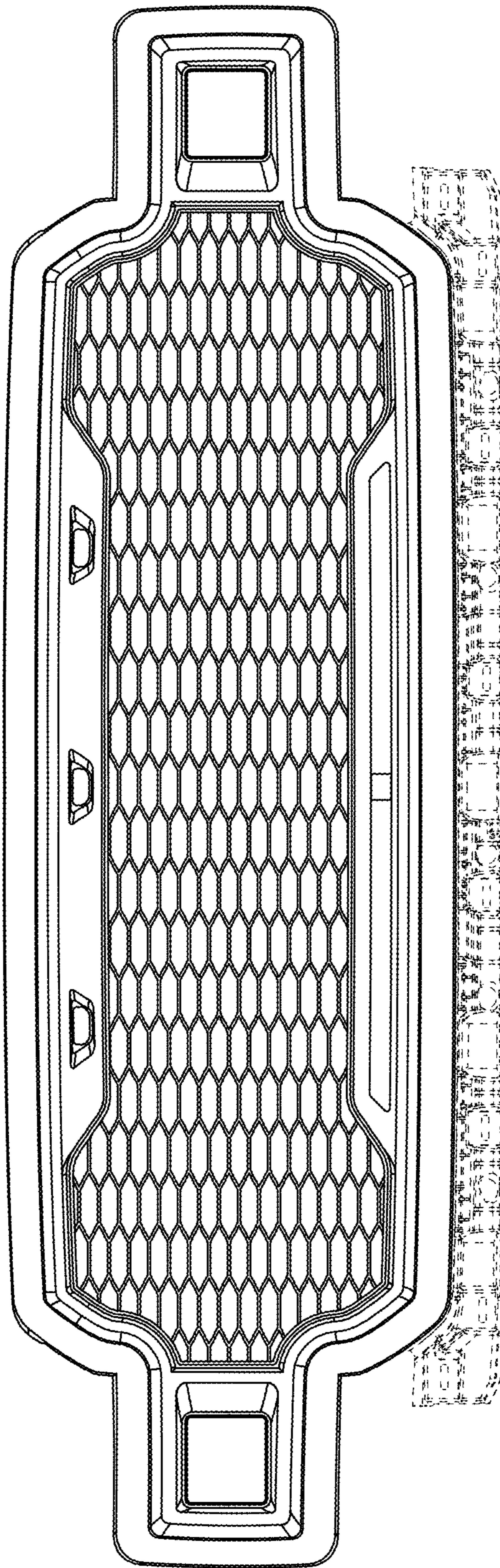


FIG. 9

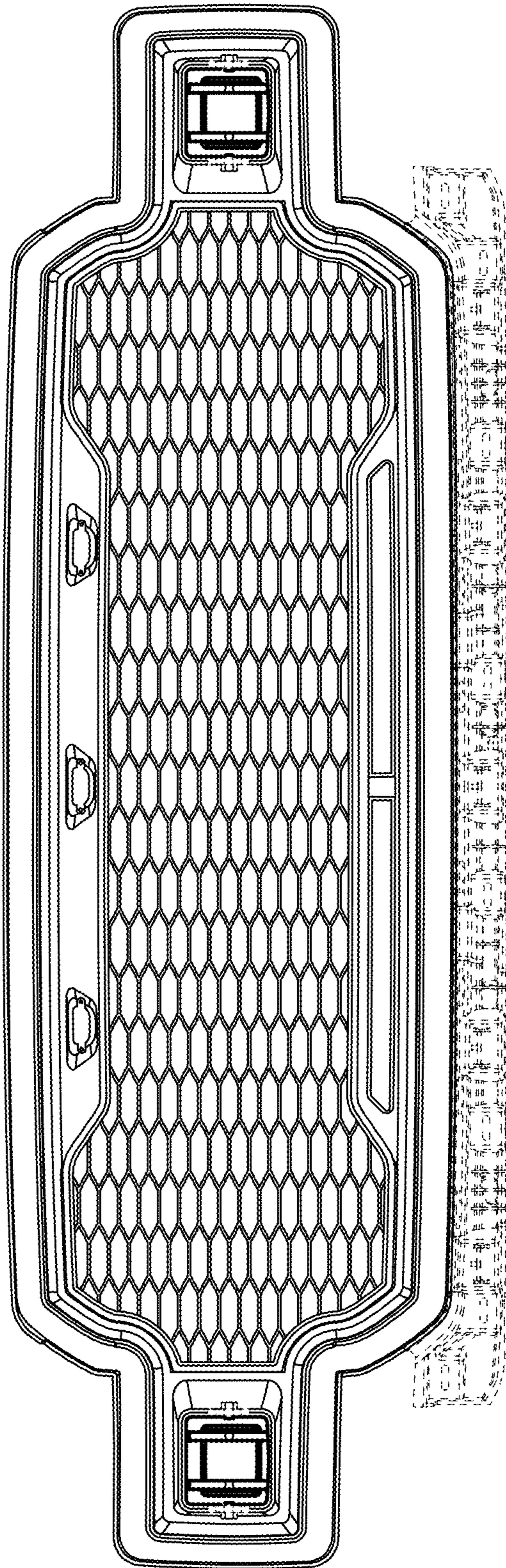


FIG. 10

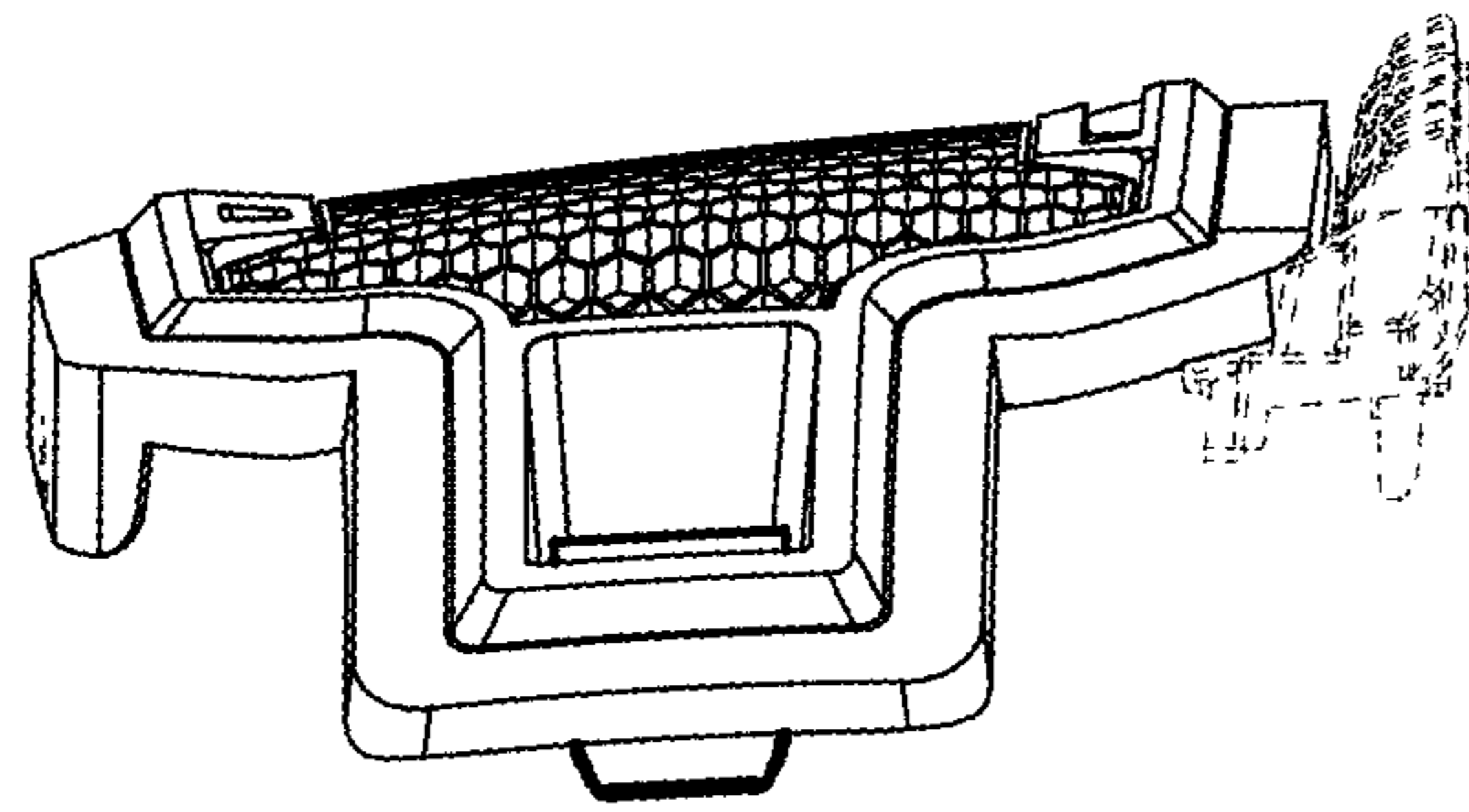


FIG. 11

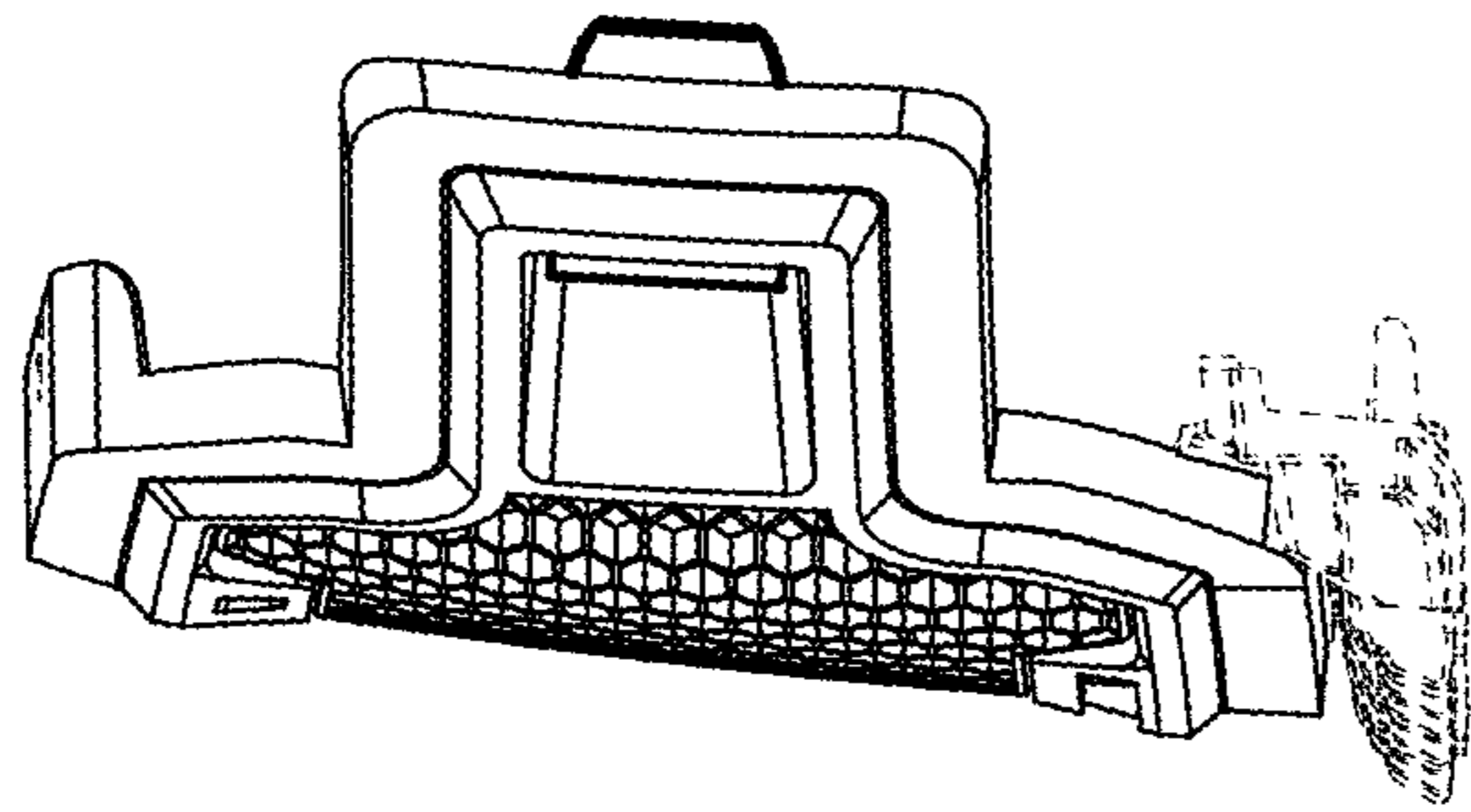


FIG. 12

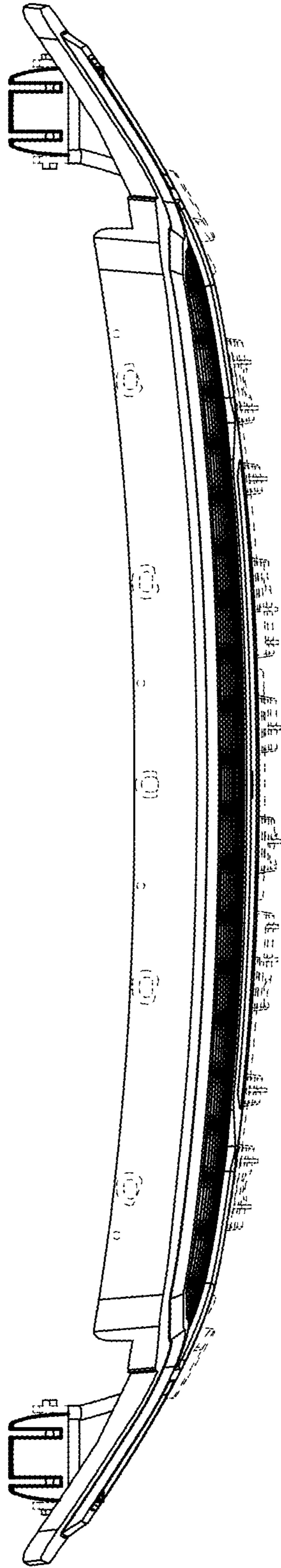


FIG. 13

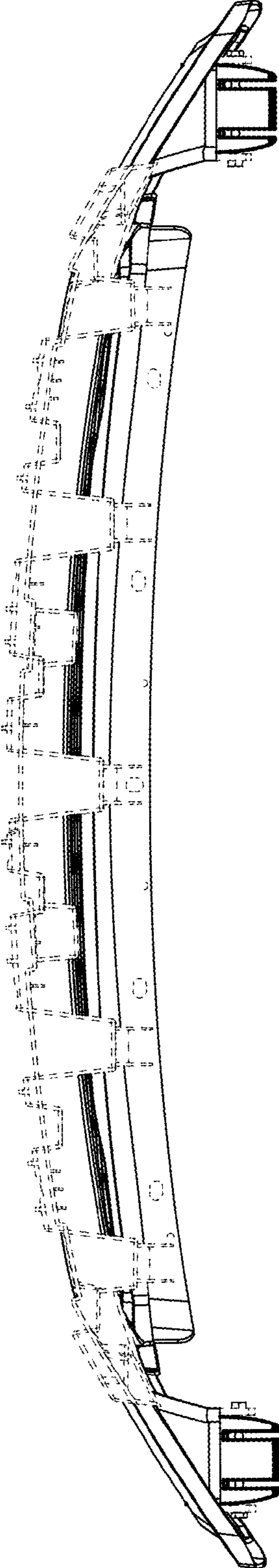


FIG. 14