



US00D853895S

(12) **United States Design Patent** (10) **Patent No.:** **US D853,895 S**
Yang (45) **Date of Patent:** **** Jul. 16, 2019**

(54) **GRILLE FOR A VEHICLE**
(71) Applicants: **Warner Science Applications Corp.**,
Ontario, CA (US); **Paramount**
Automotive Restyling Inc., Ontario,
CA (US)
(72) Inventor: **Mingfa Yang**, Calabasas, CA (US)
(73) Assignees: **WARNER SCIENCE**
APPLICATIONS CORP., Ontario
(CA); **PARAMOUNT AUTOMOTIVE**
RESTYLING INC., Ontario (CA)

D509,466 S 9/2005 Marchese et al.
D510,303 S 10/2005 Spagnola
D514,480 S 2/2006 Yamaji et al.
D526,605 S 8/2006 Chung
D527,319 S 8/2006 Yakushi
D533,119 S 12/2006 Schiavone et al.
D535,223 S 1/2007 Gaffka
D540,714 S 4/2007 Mueller-Stolz
D541,711 S 5/2007 Golden et al.
D551,145 S 9/2007 Canitano
D591,651 S 5/2009 Shelby
D629,720 S 12/2010 Manzoni
D645,790 S 9/2011 Vardis et al.

(Continued)

(**) Term: **15 Years**

Primary Examiner — Darlington Ly
(74) *Attorney, Agent, or Firm* — Chen Yoshimura LLP

(21) Appl. No.: **29/604,970**

(57) **CLAIM**

(22) Filed: **May 22, 2017**

The ornamental design for a grille for a vehicle, as shown and described.

(51) **LOC (11) Cl.** **12-16**

(52) **U.S. Cl.**
USPC **D12/163**

DESCRIPTION

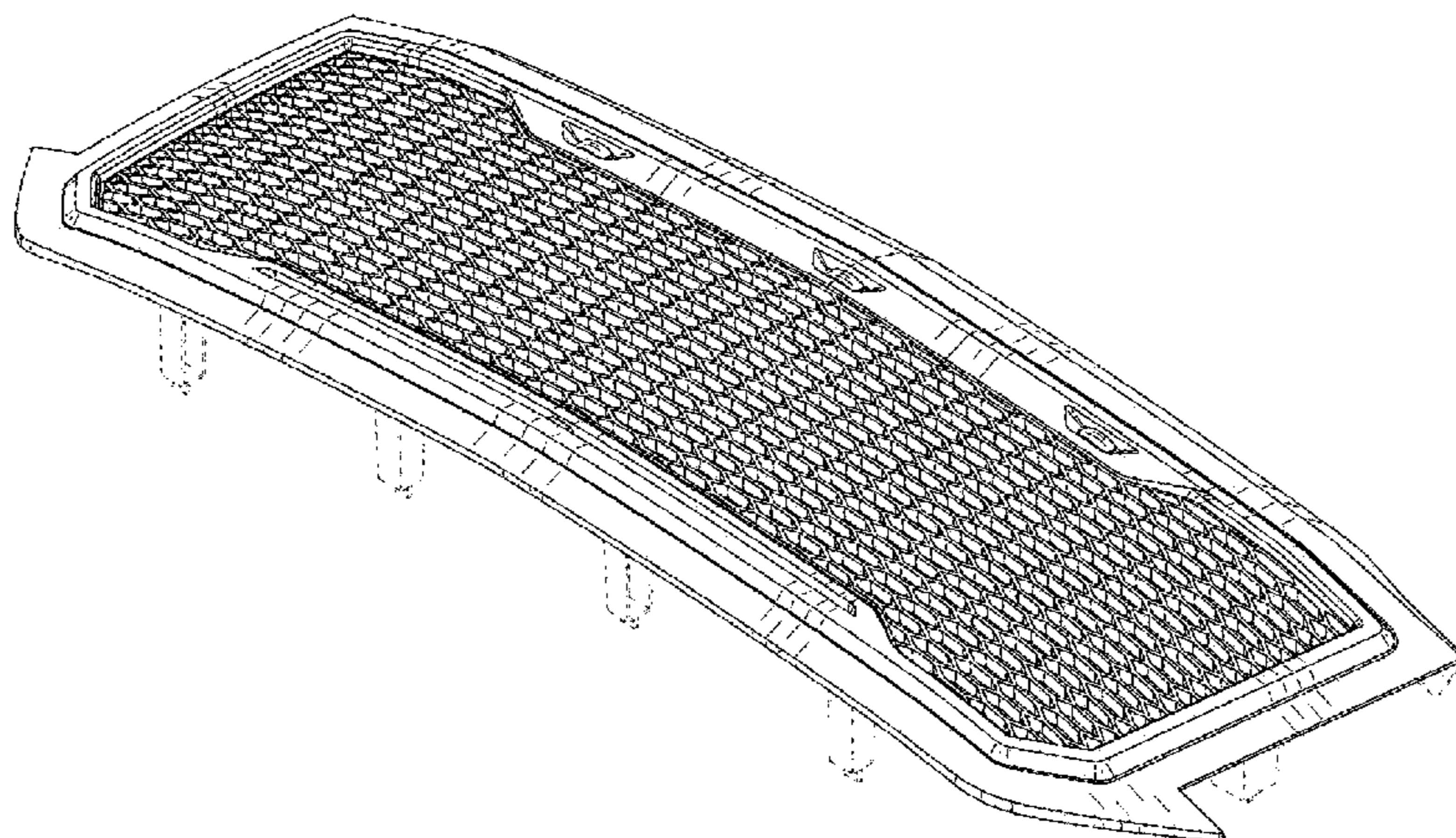
(58) **Field of Classification Search**
USPC D12/86, 90, 91, 92, 163, 169, 196, 171,
D12/216; D15/31
CPC . B60R 19/52; B60R 2019/525; B60K 11/085;
B62D 25/084; H01Q 1/32
See application file for complete search history.

FIG. 1 is a front, bottom and right side perspective view of a grille showing a first embodiment of my new design; FIG. 2 is a front elevational view thereof; FIG. 3 is a left side elevational view thereof; FIG. 4 is a right side elevational view thereof; FIG. 5 is a top plan view thereof; FIG. 6 is a bottom plan view thereof; FIG. 7 is a front, bottom and right side perspective view of a grille showing a second embodiment of my new design; FIG. 8 is a front elevational view thereof; FIG. 9 is a left side elevational view thereof; FIG. 10 is a right side elevational view thereof; FIG. 11 is a top plan view thereof; and, FIG. 12 is a bottom plan view thereof. The broken lines showing mounting features for the grille are included for the purpose of illustrating environmental structures, and form no part of the claimed design.

(56) **References Cited**
U.S. PATENT DOCUMENTS

D249,677 S 9/1978 Cline
D259,873 S 7/1981 Milner
D380,722 S 7/1997 Burton et al.
D380,723 S 7/1997 Burton et al.
D425,834 S 5/2000 Sousamian
D451,432 S 12/2001 Leutz
6,328,358 B1 * 12/2001 Berweiler B60R 19/52
180/68.6
D472,191 S 3/2003 Yamaguchi et al.
D496,890 S * 10/2004 Metros D12/163

1 Claim, 12 Drawing Sheets



(56)

References Cited

U.S. PATENT DOCUMENTS

D678,140 S 3/2013 Hamilton et al.
 D690,620 S 10/2013 Scheinhuetten et al.
 D698,705 S 2/2014 Rupar
 D704,102 S 5/2014 Nurnberger
 D712,316 S 9/2014 O'Donnell et al.
 D713,765 S 9/2014 Peltola et al.
 D718,196 S 11/2014 Whang et al.
 D724,493 S 3/2015 Kobayashi
 D726,598 S 4/2015 Rupar et al.
 D730,785 S 6/2015 Hammoud et al.
 D731,928 S 6/2015 Manzoni
 D746,186 S 12/2015 Curic et al.
 D758,926 S 6/2016 Rupar
 D758,928 S 6/2016 Messale et al.
 D771,527 S 11/2016 Messale et al.
 D773,347 S 12/2016 Whang
 D773,963 S 12/2016 Battams
 D774,998 S * 12/2016 Munakata D12/163
 D775,554 S * 1/2017 Kapitonov D12/163
 D777,065 S 1/2017 Patel et al.
 D781,188 S * 3/2017 Wolff D12/163
 D782,367 S 3/2017 Donckerwolke et al.
 D783,466 S 4/2017 Svensson et al.
 D783,467 S 4/2017 Svensson
 D787,384 S * 5/2017 Ito D12/163
 D788,655 S * 6/2017 Curic D12/163
 D789,841 S * 6/2017 Malczewski D12/163
 D790,410 S * 6/2017 Ito D12/163
 D790,411 S * 6/2017 Labanowicz D12/163
 D790,412 S * 6/2017 Dunford D12/163

D792,810 S 7/2017 Kim et al.
 D795,760 S * 8/2017 Kozub D12/163
 D795,765 S 8/2017 Rolfs et al.
 D796,390 S * 9/2017 Pevovar D12/163
 D803,109 S * 11/2017 Carter D12/163
 D803,730 S * 11/2017 Ito D12/163
 D803,732 S * 11/2017 Yang D12/163
 D805,005 S * 12/2017 Tomita D12/163
 D805,965 S * 12/2017 Davis D12/163
 D807,238 S * 1/2018 Komuro D12/163
 D807,241 S * 1/2018 Perkins D12/163
 D807,242 S * 1/2018 Piscitelli D12/163
 D811,954 S * 3/2018 Park D12/163
 D812,525 S * 3/2018 Lee D12/163
 D813,097 S 3/2018 Szavits
 D813,736 S 3/2018 Jevremovic et al.
 D813,737 S 3/2018 Beermann
 D814,981 S 4/2018 Villamizar
 D814,982 S * 4/2018 Whitla D12/163
 D815,003 S 4/2018 MacNeil et al.
 D817,815 S 5/2018 Hubers et al.
 D818,895 S 5/2018 Lee
 D819,506 S 6/2018 Han
 D822,549 S 7/2018 Platto et al.
 2004/0124670 A1 7/2004 Tate
 2005/0006928 A1 * 1/2005 Diehl B60R 19/52
 296/193.1
 2015/0090510 A1 4/2015 Yoshino et al.
 2015/0091328 A1 4/2015 Pugh-Jones et al.
 2017/0137954 A1 * 5/2017 Hashimoto B60K 11/08
 2018/0009500 A1 1/2018 Lovold et al.
 2018/0178677 A1 6/2018 Swain et al.

* cited by examiner

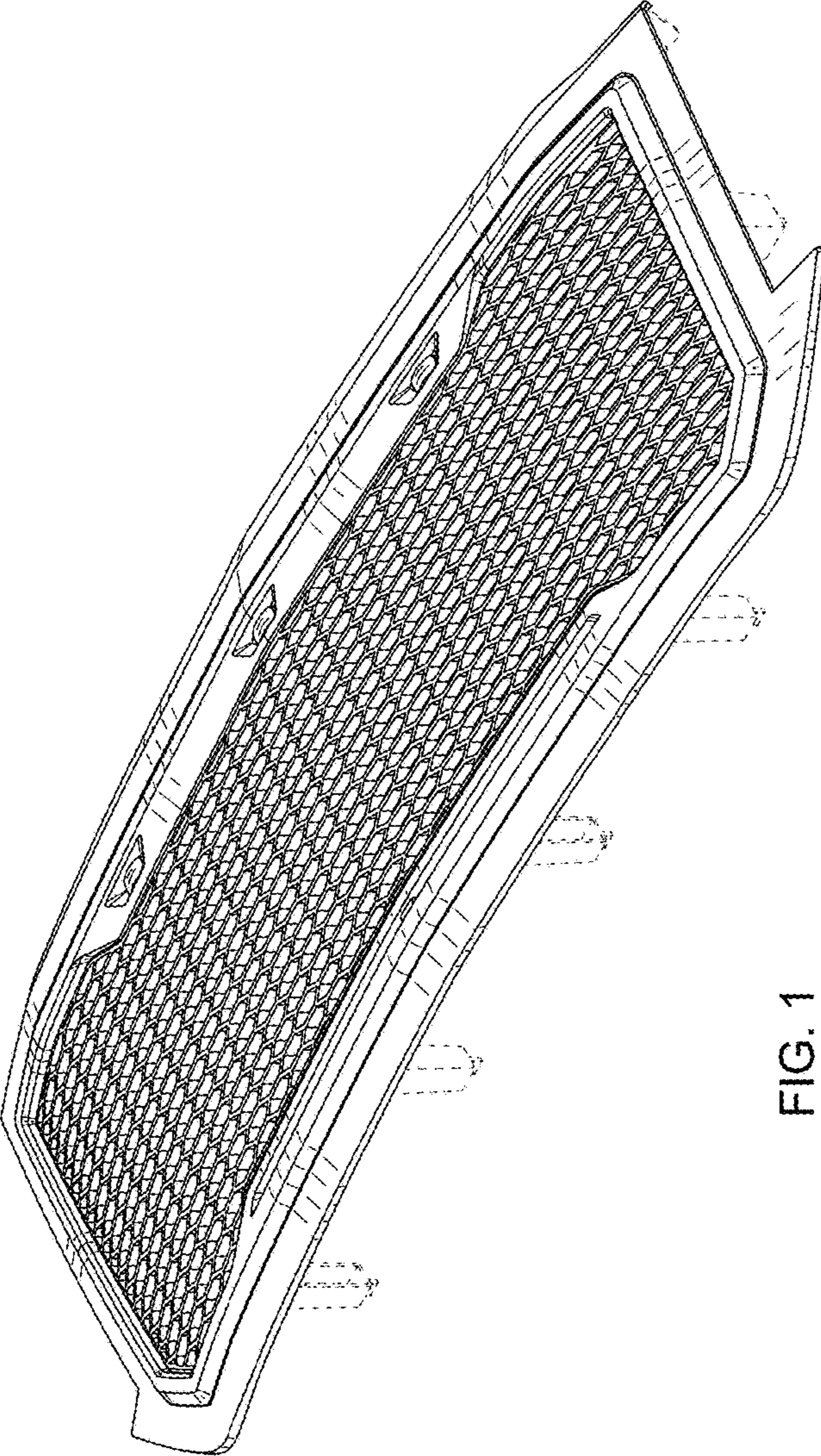


FIG. 1

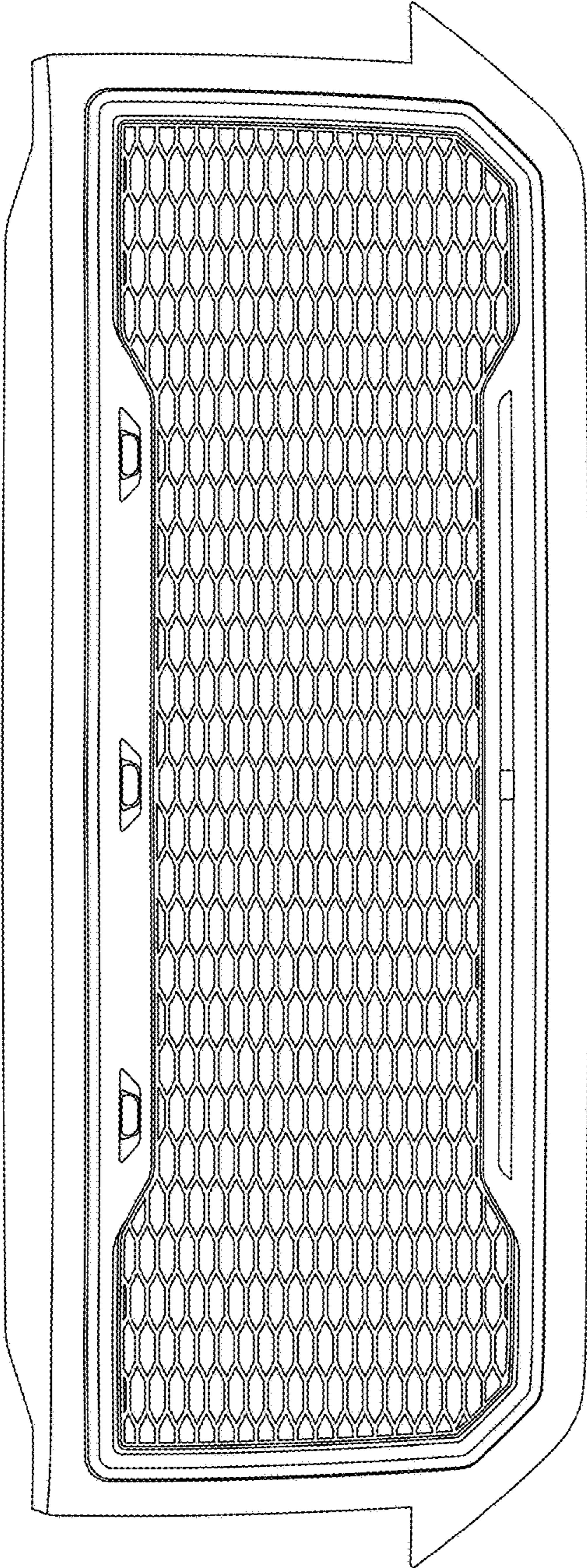


Fig. 2

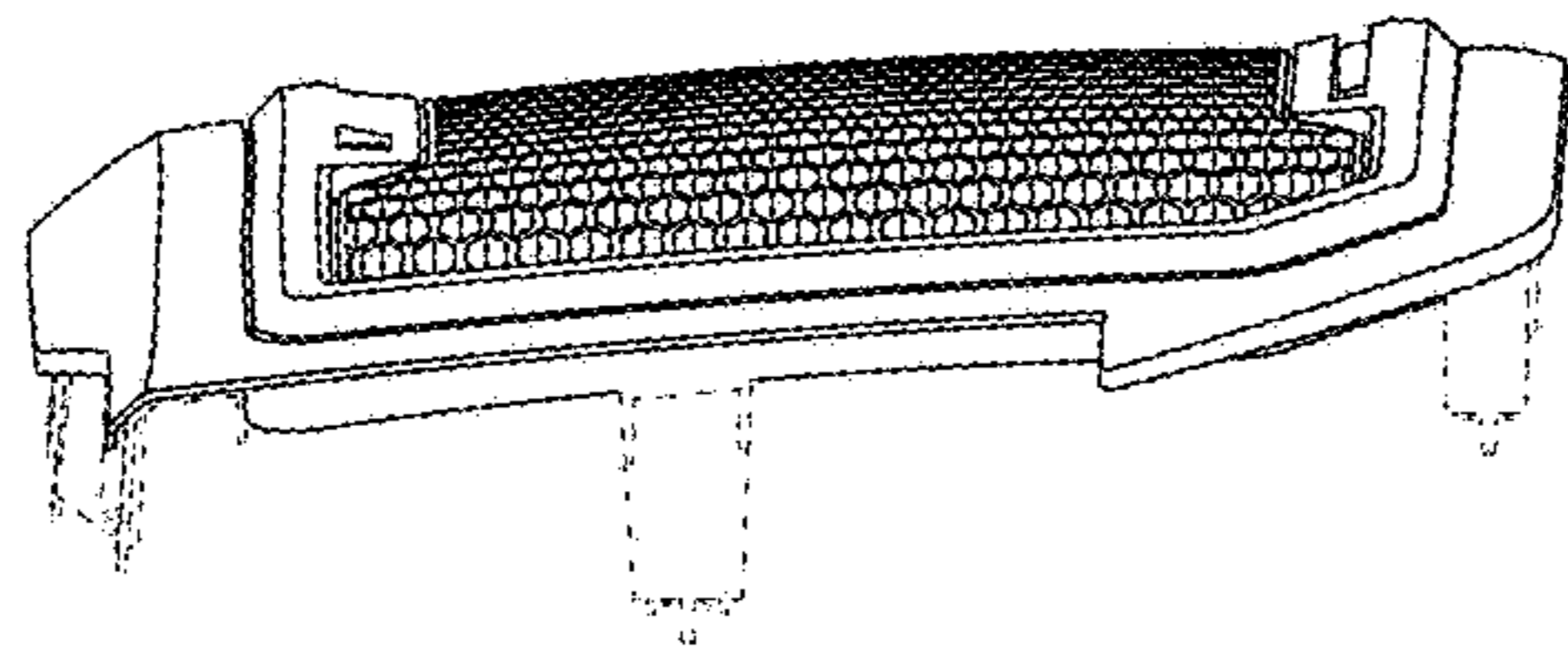


Fig. 3

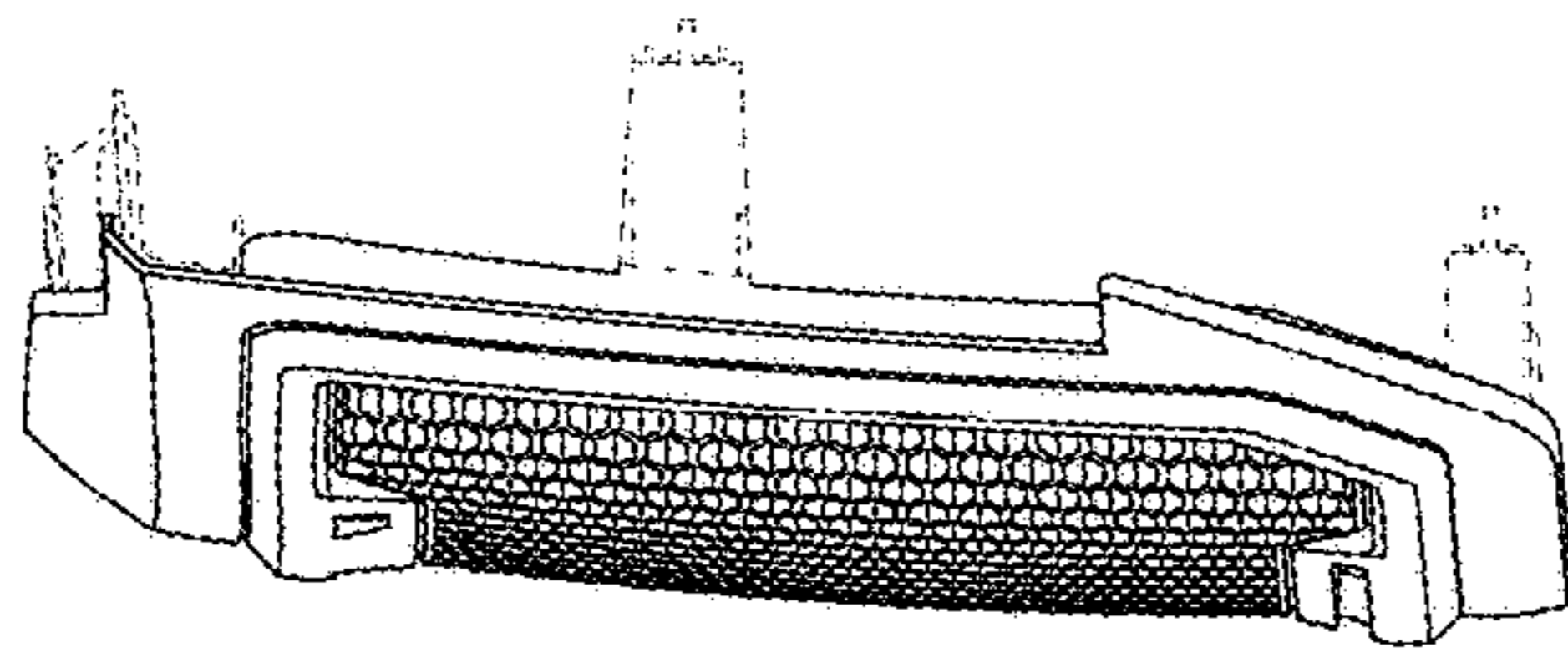


Fig. 4

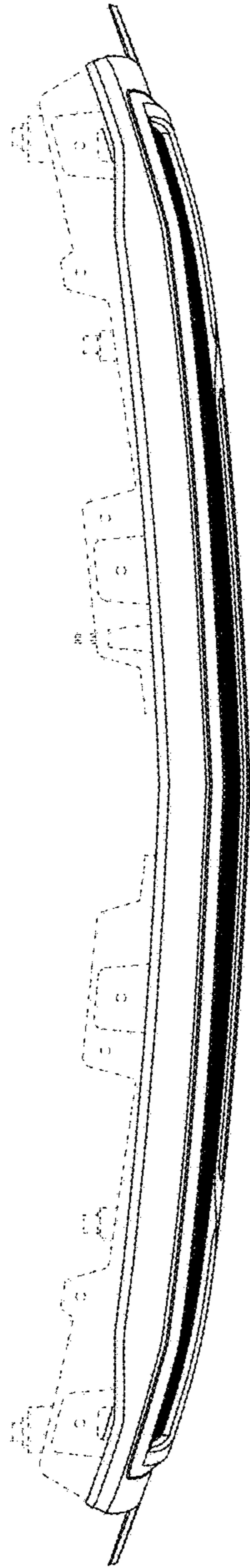


Fig. 5

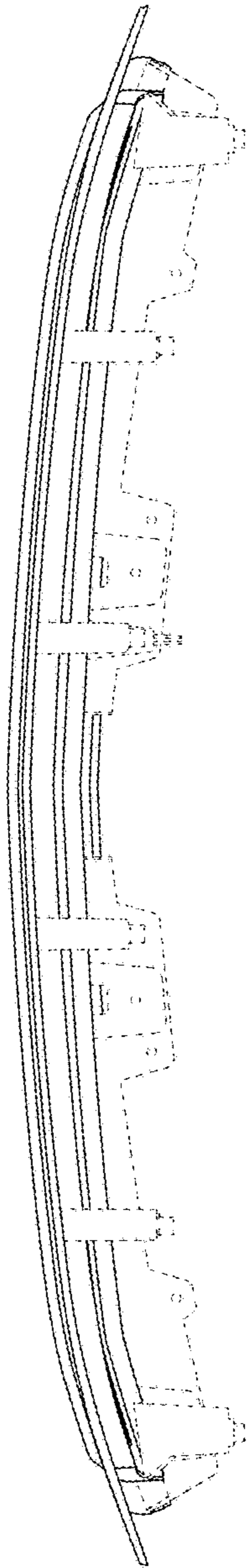


Fig. 6

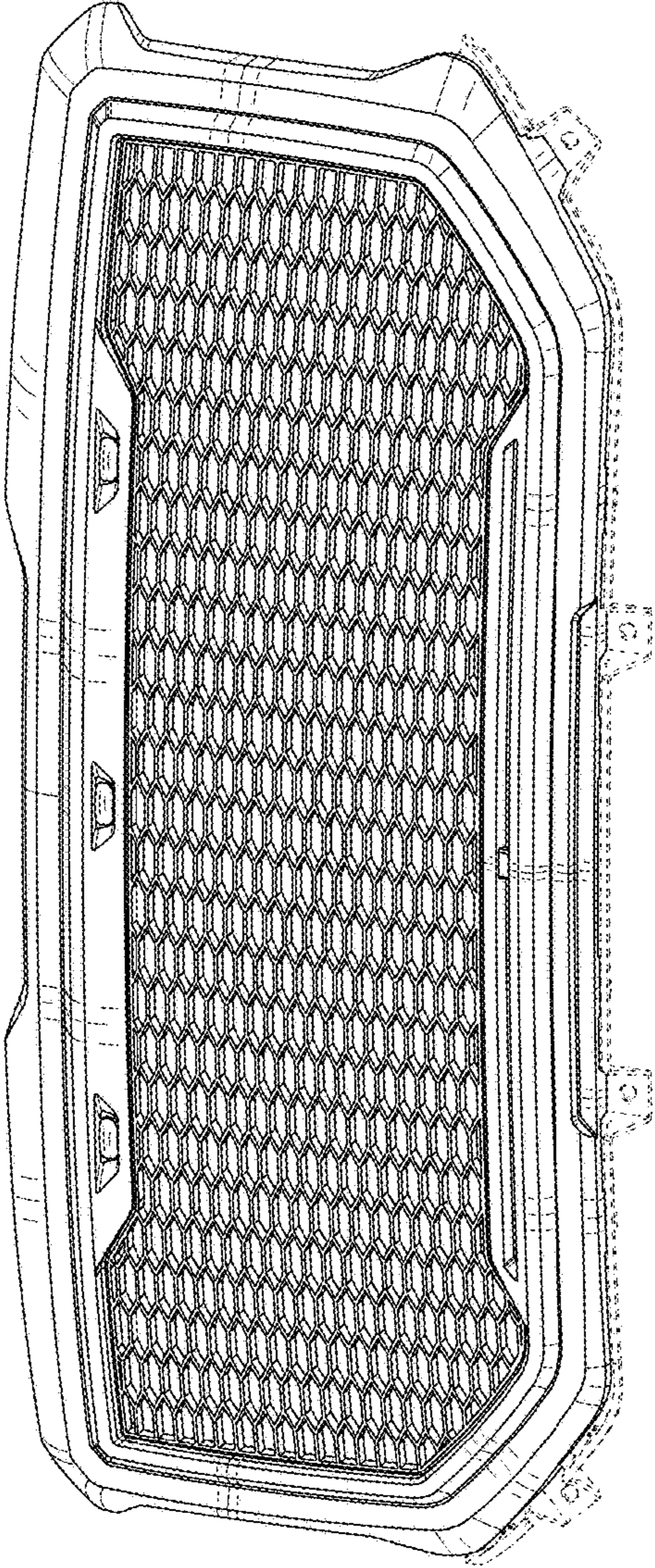


FIG. 7

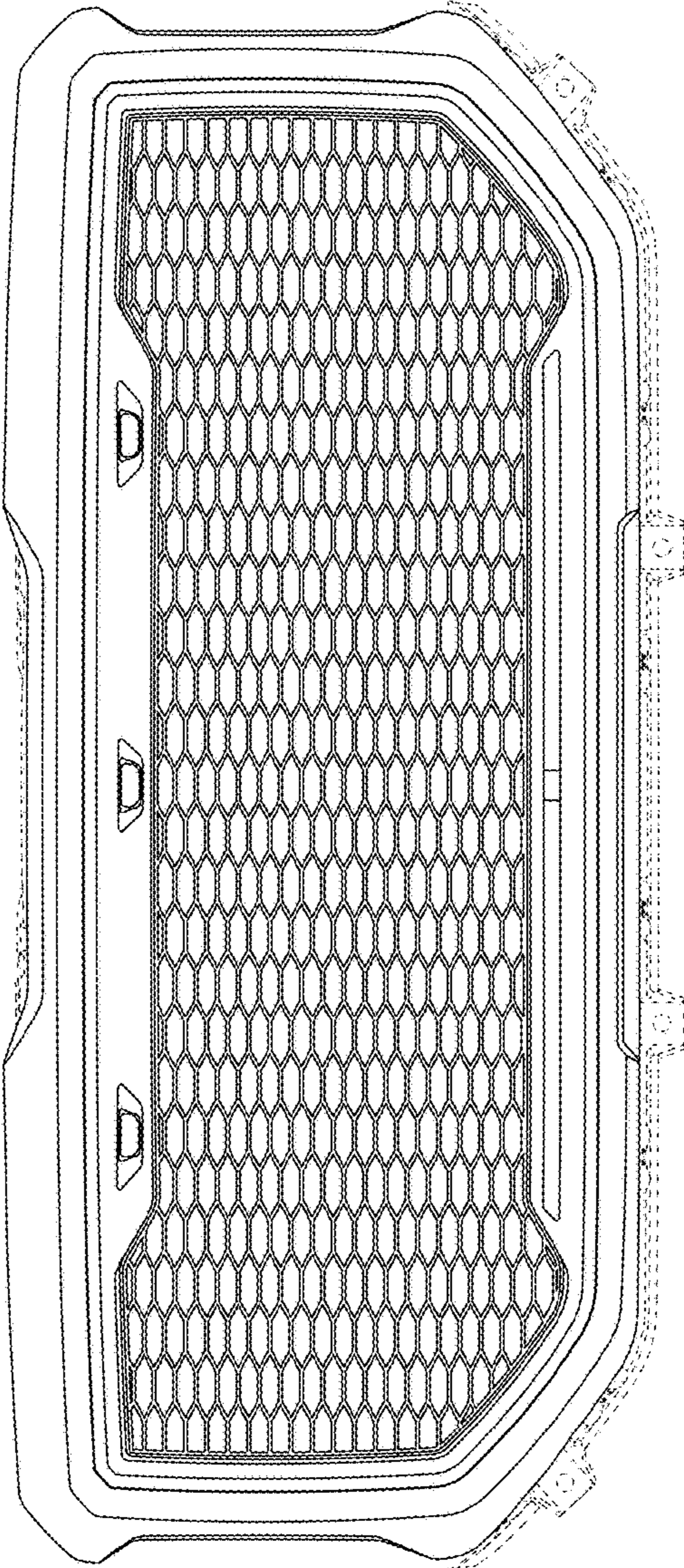


Fig. 8

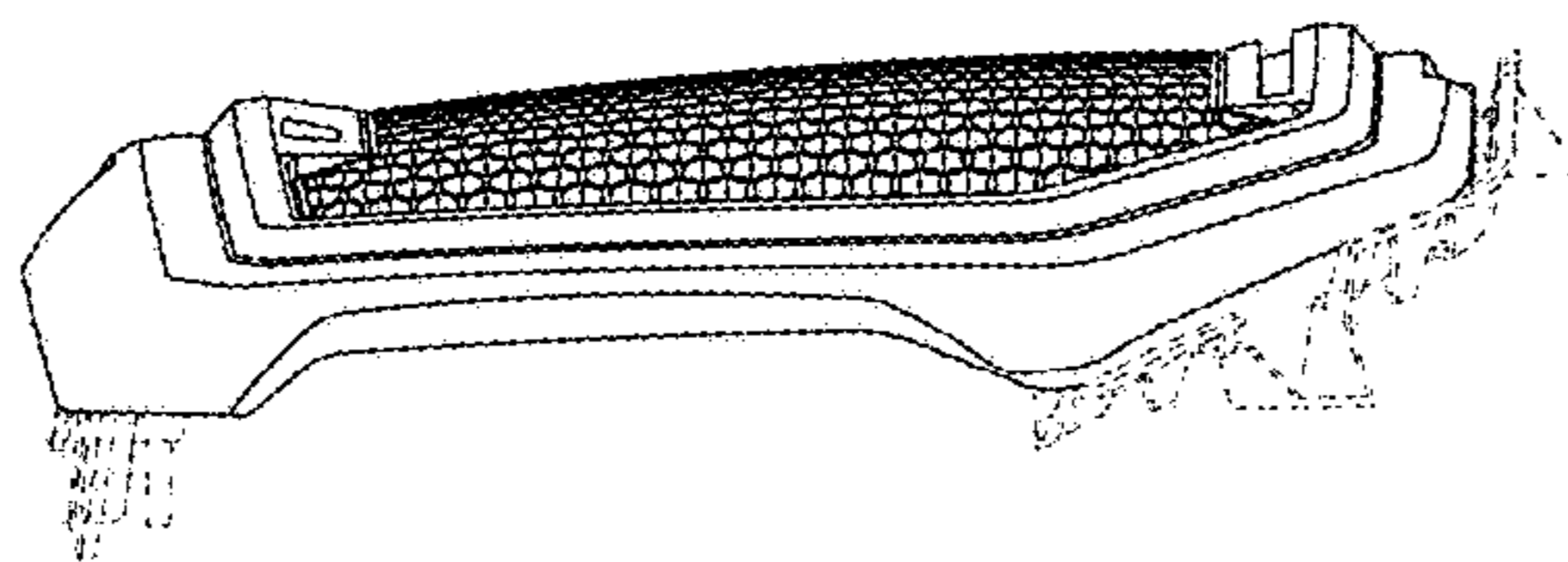


Fig. 9

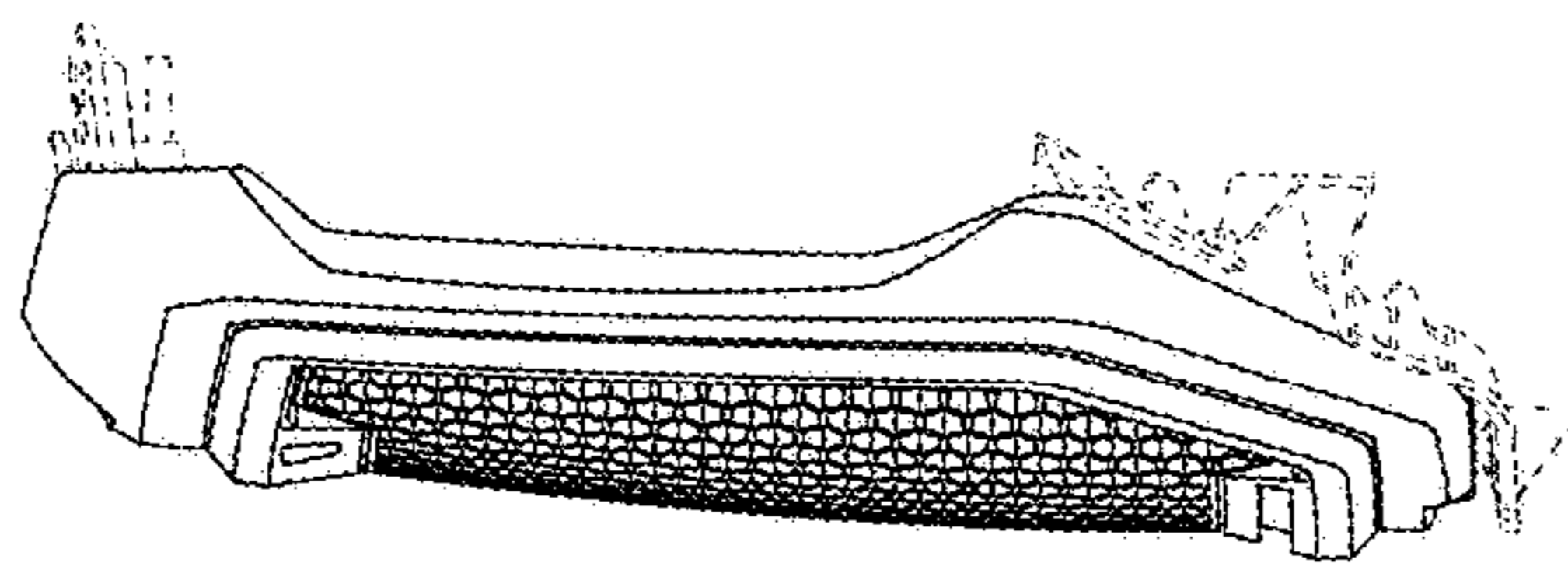


Fig. 10

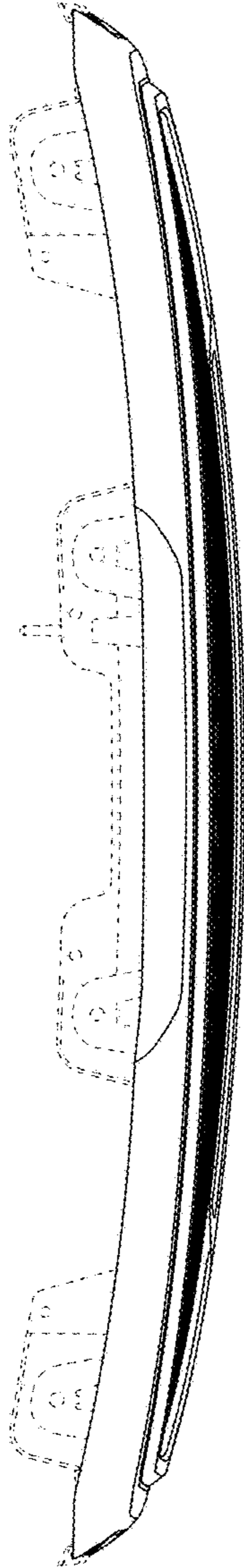


Fig. 11

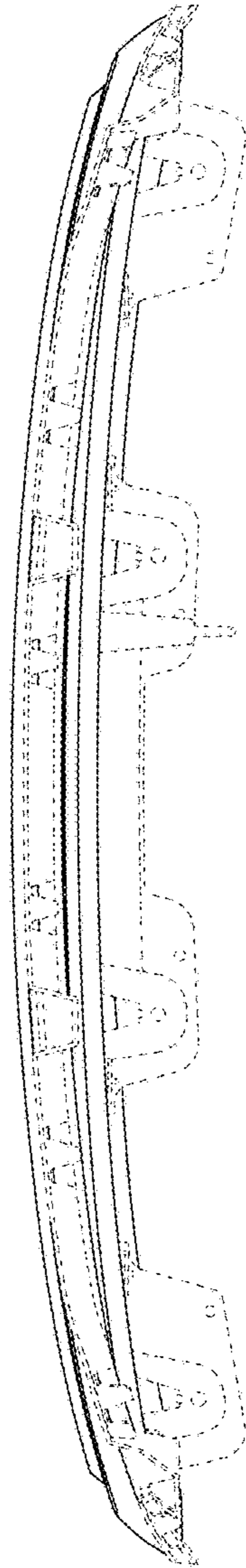


Fig. 12