



US00D853893S

(12) **United States Design Patent** (10) **Patent No.:** **US D853,893 S**
Yang (45) **Date of Patent:** **** Jul. 16, 2019**

(54) **GRILLE FOR A VEHICLE**
(71) Applicants: **Warner Science Applications Corp.**,
Ontario (CA); **Paramount Automotive**
Restyling Inc., Ontario (CA)
(72) Inventor: **Mingfa Yang**, Calabasas, CA (US)
(73) Assignees: **WARNER SCIENCE**
APPLICATIONS CORP., Ontario
(CA); **PARAMOUNT AUTOMOTIVE**
RESTYLING INC., Ontario (CA)
(**) Term: **15 Years**
(21) Appl. No.: **29/604,959**
(22) Filed: **May 22, 2017**
(51) **LOC (11) Cl.** **12-16**
(52) **U.S. Cl.**
USPC **D12/163**
(58) **Field of Classification Search**
USPC D12/86, 90, 91, 92, 163, 169, 196, 171,
D12/216; D15/31
CPC . B60R 19/52; B60R 2019/525; B60K 11/085;
B62D 25/084; H01Q 1/32
See application file for complete search history.

D510,303 S 10/2005 Spagnola
D514,480 S 2/2006 Yamaji et al.
D526,605 S 8/2006 Chung
D527,319 S 8/2006 Yakushi
D533,119 S 12/2006 Schiavone et al.
D535,223 S 1/2007 Gaffka
D540,714 S 4/2007 Mueller-Stolz
D541,711 S 5/2007 Golden et al.
D551,145 S 9/2007 Canitano
D591,651 S 5/2009 Shelby
D629,720 S 12/2010 Manzoni
D645,790 S 9/2011 Vardis et al.
D678,140 S 3/2013 Hamilton et al.
D690,620 S 10/2013 Scheinhuette et al.
D698,705 S 2/2014 Rupar
D704,102 S 5/2014 Nurnberger
D712,316 S 9/2014 O'Donnell et al.
D713,765 S 9/2014 Peltola et al.
D718,196 S 11/2014 Whang et al.
D724,493 S 3/2015 Kobayashi
D726,598 S 4/2015 Rupar et al.

(Continued)

Primary Examiner — Darlington Ly
(74) Attorney, Agent, or Firm — Chen Yoshimura LLP

(57) **CLAIM**

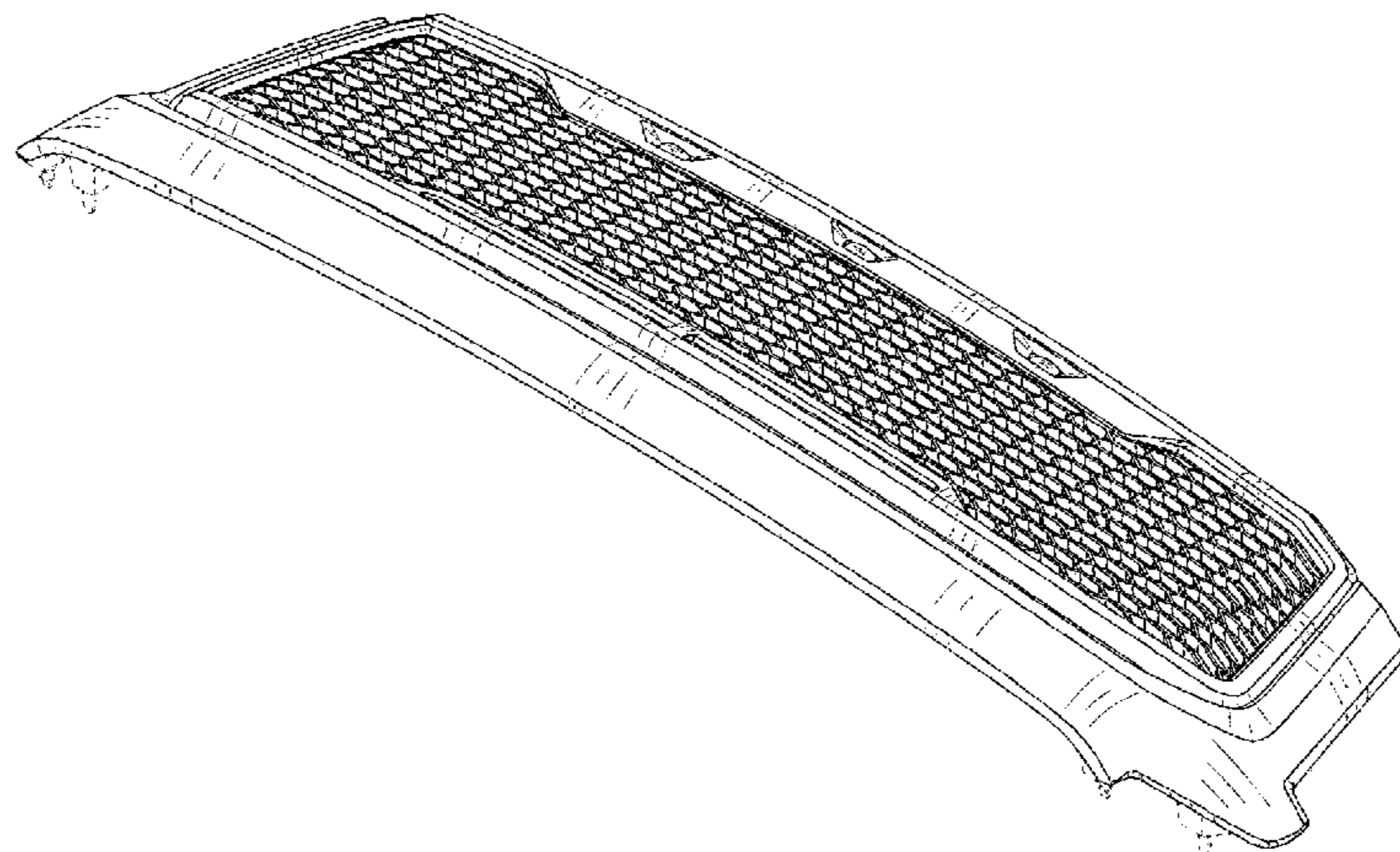
The ornamental design for a grille for a vehicle, as shown and described.

DESCRIPTION

FIG. 1 is a front, bottom and right side perspective view of a grille showing my new design;
FIG. 2 is a front elevational view thereof;
FIG. 3 is a left side elevational view thereof;
FIG. 4 is a right side elevational view thereof;
FIG. 5 is a top plan view thereof; and,
FIG. 6 is a bottom plan view thereof.
The broken lines showing mounting features for the grille are included for the purpose of illustrating environmental structures, and form no part of the claimed design.

1 Claim, 6 Drawing Sheets

(56) **References Cited**
U.S. PATENT DOCUMENTS
D249,677 S 9/1978 Cline
D259,873 S 7/1981 Milner
D380,722 S 7/1997 Burton et al.
D380,723 S 7/1997 Burton et al.
D425,834 S 5/2000 Sousamian
D451,432 S 12/2001 Leutz
6,328,358 B1 * 12/2001 Berweiler B60R 19/52
180/68.6
D472,191 S 3/2003 Yamaguchi et al.
D496,890 S * 10/2004 Metros D12/163
D509,466 S 9/2005 Marchese et al.



(56)

References Cited

U.S. PATENT DOCUMENTS

D730,785 S 6/2015 Hammoud et al.
 D731,928 S 6/2015 Manzoni
 D746,186 S 12/2015 Curic et al.
 D758,926 S 6/2016 Rupar
 D758,928 S 6/2016 Messale et al.
 D771,527 S 11/2016 Messale et al.
 D773,347 S 12/2016 Whang
 D773,963 S 12/2016 Battams
 D774,998 S * 12/2016 Munakata D12/163
 D775,554 S * 1/2017 Kapitonov D12/163
 D777,065 S 1/2017 Patel et al.
 D781,188 S * 3/2017 Wolff D12/163
 D782,367 S 3/2017 Donckerwolke et al.
 D783,466 S 4/2017 Svensson et al.
 D783,467 S 4/2017 Svensson
 D787,384 S * 5/2017 Ito D12/163
 D788,655 S * 6/2017 Curic D12/163
 D789,841 S * 6/2017 Malczewski D12/163
 D790,410 S * 6/2017 Ito D12/163
 D790,411 S * 6/2017 Labanowicz D12/163
 D790,412 S * 6/2017 Dunford D12/163
 D792,810 S 7/2017 Kim et al.
 D795,760 S * 8/2017 Kozub D12/163
 D795,765 S 8/2017 Rolfs et al.
 D796,390 S * 9/2017 Pevovar D12/163

D803,109 S * 11/2017 Carter D12/163
 D803,730 S * 11/2017 Ito D12/163
 D803,732 S * 11/2017 Yang D12/163
 D805,005 S * 12/2017 Tomita D12/163
 D805,965 S * 12/2017 Davis D12/163
 D807,238 S * 1/2018 Komuro D12/163
 D807,241 S * 1/2018 Perkins D12/163
 D807,242 S * 1/2018 Piscitelli D12/163
 D811,954 S * 3/2018 Park D12/163
 D812,525 S * 3/2018 Lee D12/163
 D813,097 S 3/2018 Szavits
 D813,736 S 3/2018 Jevremovic et al.
 D813,737 S 3/2018 Beermann
 D814,981 S 4/2018 Villamizar
 D814,982 S * 4/2018 Whitla D12/163
 D815,003 S 4/2018 MacNeil et al.
 D817,815 S 5/2018 Hubers et al.
 D818,895 S 5/2018 Lee
 D819,506 S 6/2018 Han
 D822,549 S 7/2018 Platto et al.
 2004/0124670 A1 7/2004 Tate
 2005/0006928 A1 * 1/2005 Diehl B60R 19/52
 296/193.1
 2015/0090510 A1 4/2015 Yoshino et al.
 2015/0091328 A1 4/2015 Pugh-Jones et al.
 2017/0137954 A1 * 5/2017 Hashimoto B60K 11/08
 2018/0009500 A1 1/2018 Lovold et al.
 2018/0178677 A1 6/2018 Swain et al.

* cited by examiner

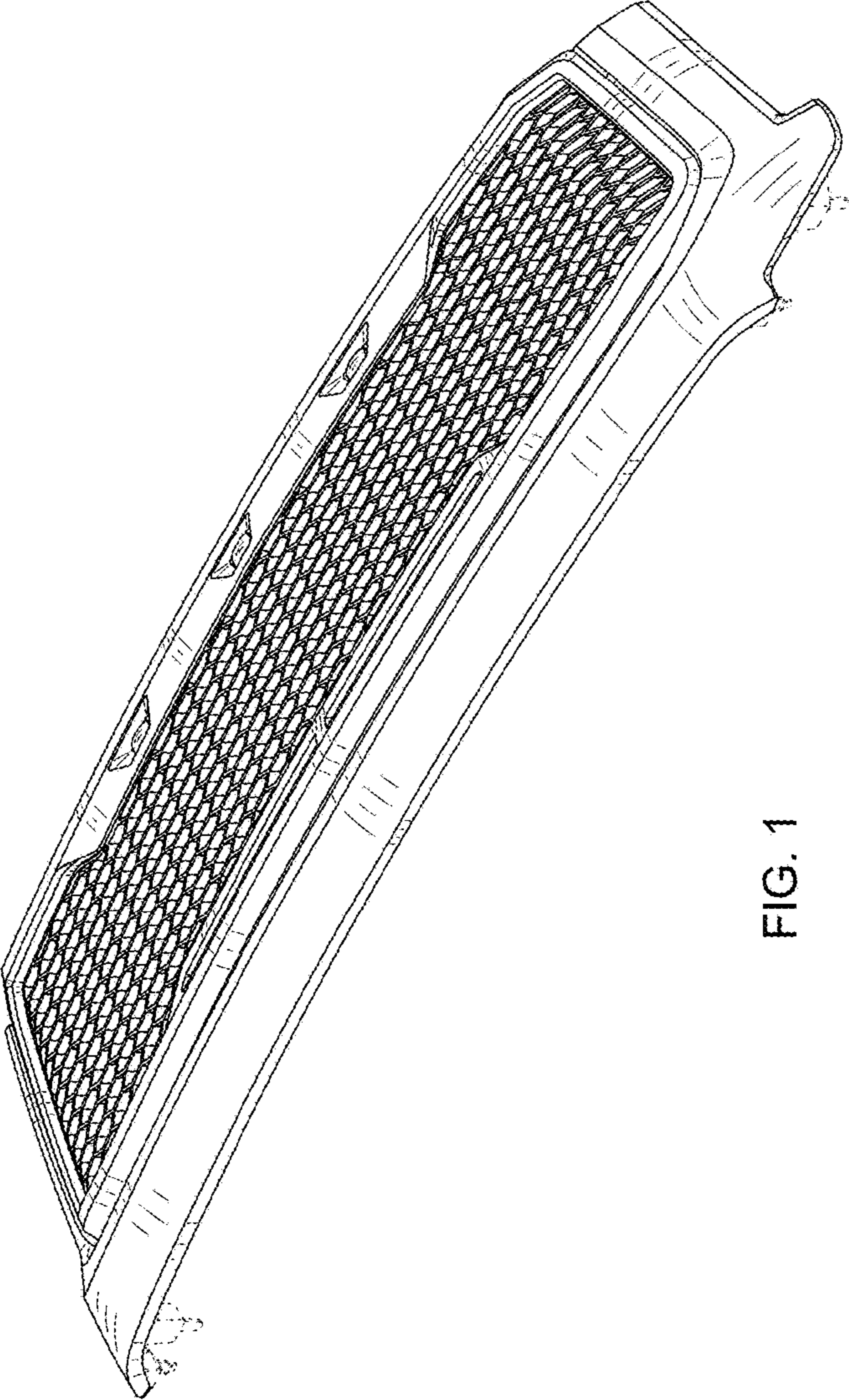


FIG. 1

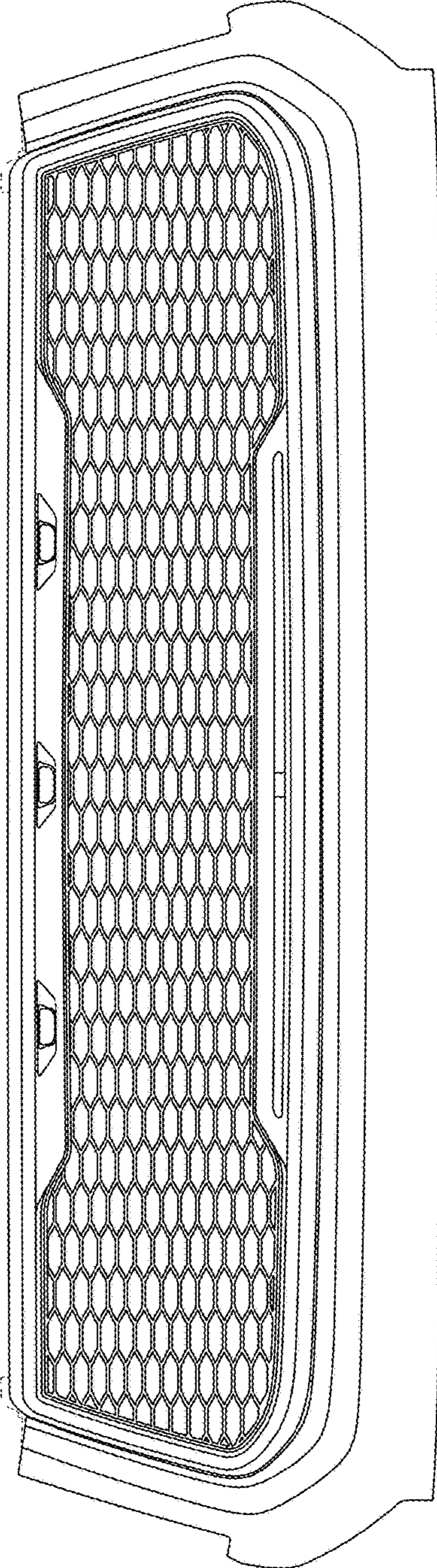


FIG. 2

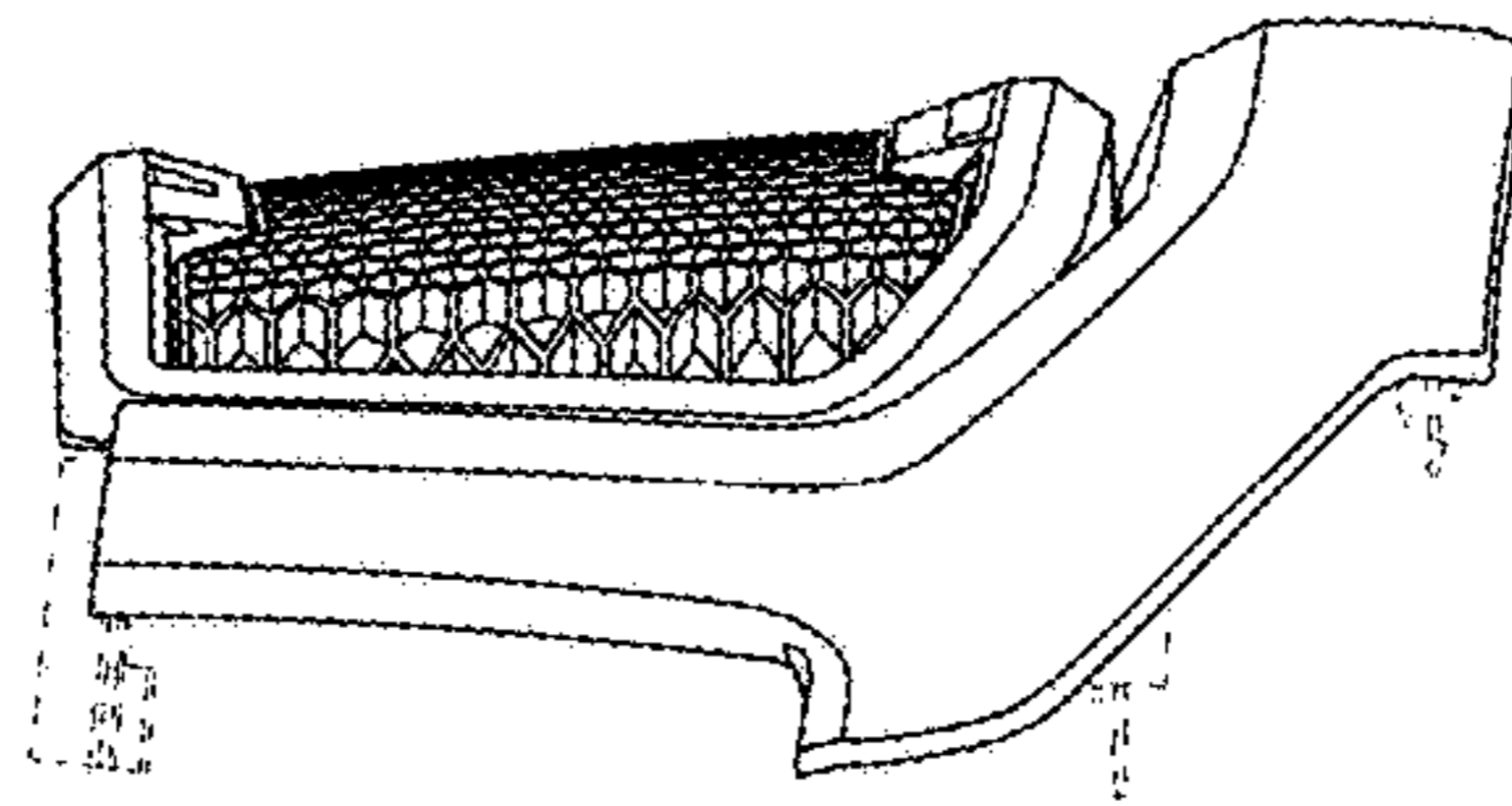


FIG. 3

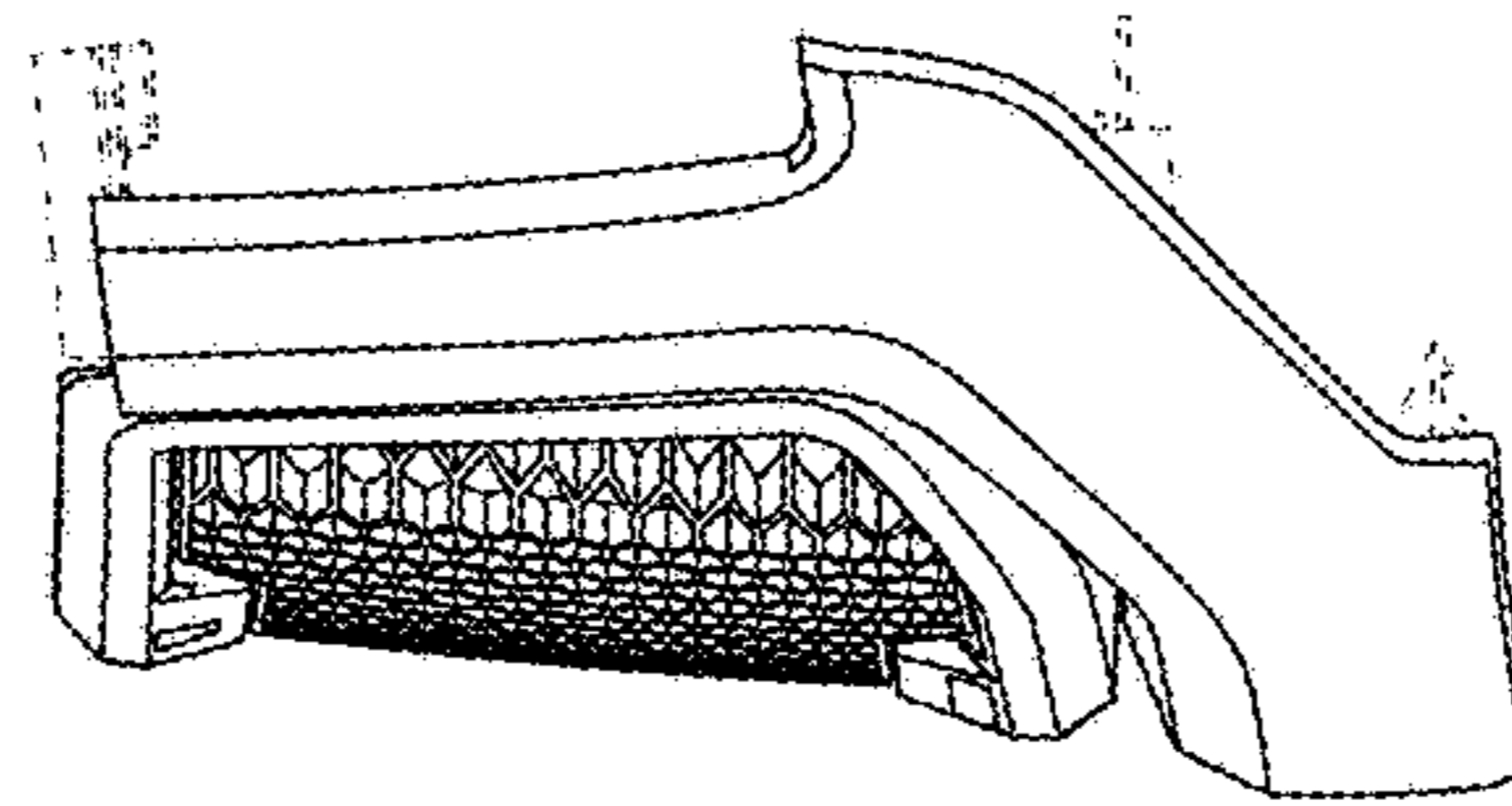


FIG. 4

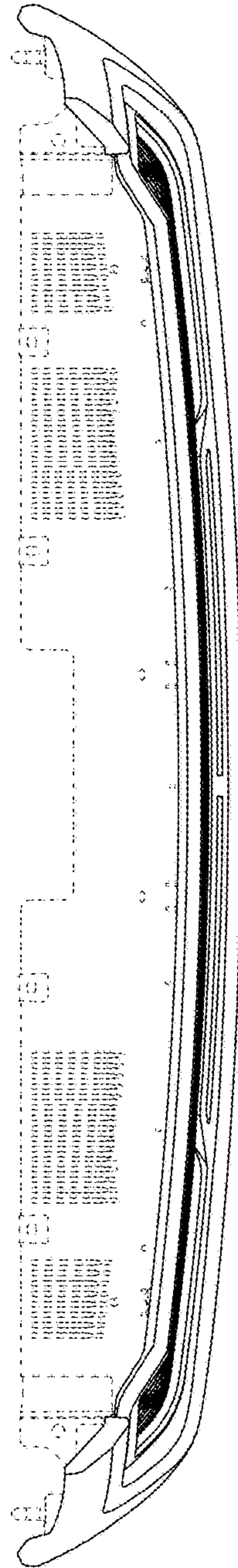


FIG. 5

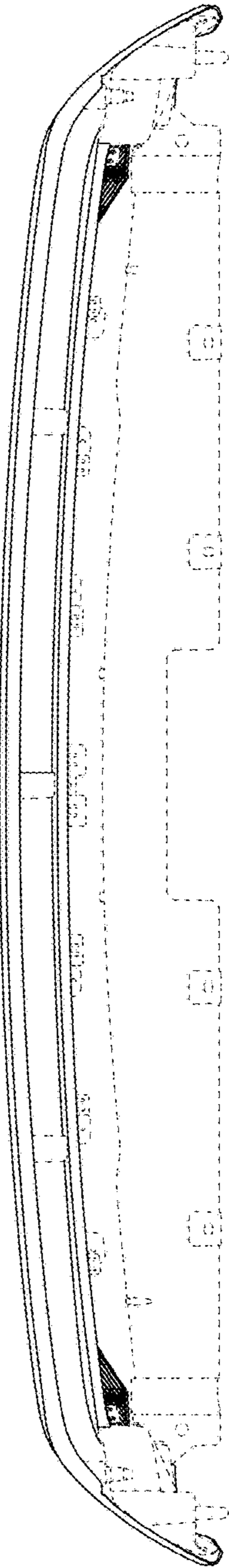


FIG. 6