



US00D853889S

(12) **United States Design Patent** (10) **Patent No.:** **US D853,889 S**
Pits (45) **Date of Patent:** **** Jul. 16, 2019**

(54) **MOTORCYCLE**
(71) Applicant: **Denys Pits**, Chernihiv (UA)
(72) Inventor: **Denys Pits**, Chernihiv (UA)
(**) Term: **15 Years**
(21) Appl. No.: **35/504,319**
(22) Filed: **Jul. 18, 2017**

(80) **Hague Agreement Data**

Int. Filing Date: **Jul. 18, 2017**
Int. Reg. No.: **DM/097019**
Int. Reg. Date: **Jul. 18, 2017**
Int. Reg. Pub. Date: **Jan. 19, 2018**

(51) **LOC (11) Cl.** **12-11**
(52) **U.S. Cl.**
USPC **D12/110**
(58) **Field of Classification Search**
USPC D12/110, 111, 117; D21/432, 538
CPC B62K 11/00; B62K 11/02; B62K 11/04;
B62K 11/10; B62K 17/00; B62K 19/00;
B62K 2202/00

See application file for complete search history.

(56) **References Cited**

U.S. PATENT DOCUMENTS

D401,892 S * 12/1998 Sugimoto D12/110
D432,952 S * 10/2000 Scruggs D12/110
D437,261 S * 2/2001 Capriglione D12/110
D462,301 S * 9/2002 Capriglione D12/110
D462,638 S * 9/2002 Davidson D12/110
D470,799 S * 2/2003 Yamaguchi D12/110
D504,360 S * 4/2005 Sramek D12/111
D504,846 S * 5/2005 Sramek D12/111
D506,163 S * 6/2005 Uemoto D12/110
D511,718 S * 11/2005 Manchester D12/110
D522,925 S * 6/2006 Nishino D12/110
D524,192 S * 7/2006 Sugimoto D12/110

D528,045 S * 9/2006 Yin D12/110
D582,319 S * 12/2008 Miwa D12/110
D588,503 S * 3/2009 Idei D12/110
7,497,455 B2 * 3/2009 Kamalian B62K 11/04
280/274
D626,036 S * 10/2010 Yamazumi D12/110
D644,149 S * 8/2011 Marchand D12/110
D666,529 S * 9/2012 Renner D12/110
D666,530 S * 9/2012 Birtulescu D12/110
D666,531 S * 9/2012 Dunshee D12/110
8,256,386 B2 * 9/2012 Watanabe B62K 11/04
123/196 CP
D683,270 S * 5/2013 Song D12/110
D683,271 S * 5/2013 Song D12/110
D684,504 S * 6/2013 Renner D12/110
D687,351 S * 8/2013 Carducci D12/110
D694,154 S * 11/2013 Arru D12/110
D723,430 S * 3/2015 Schmidt D12/110
D723,979 S * 3/2015 Yu D12/110
D732,436 S * 6/2015 Christoph D12/110

(Continued)

Primary Examiner — Darlington Ly

(57) **CLAIM**

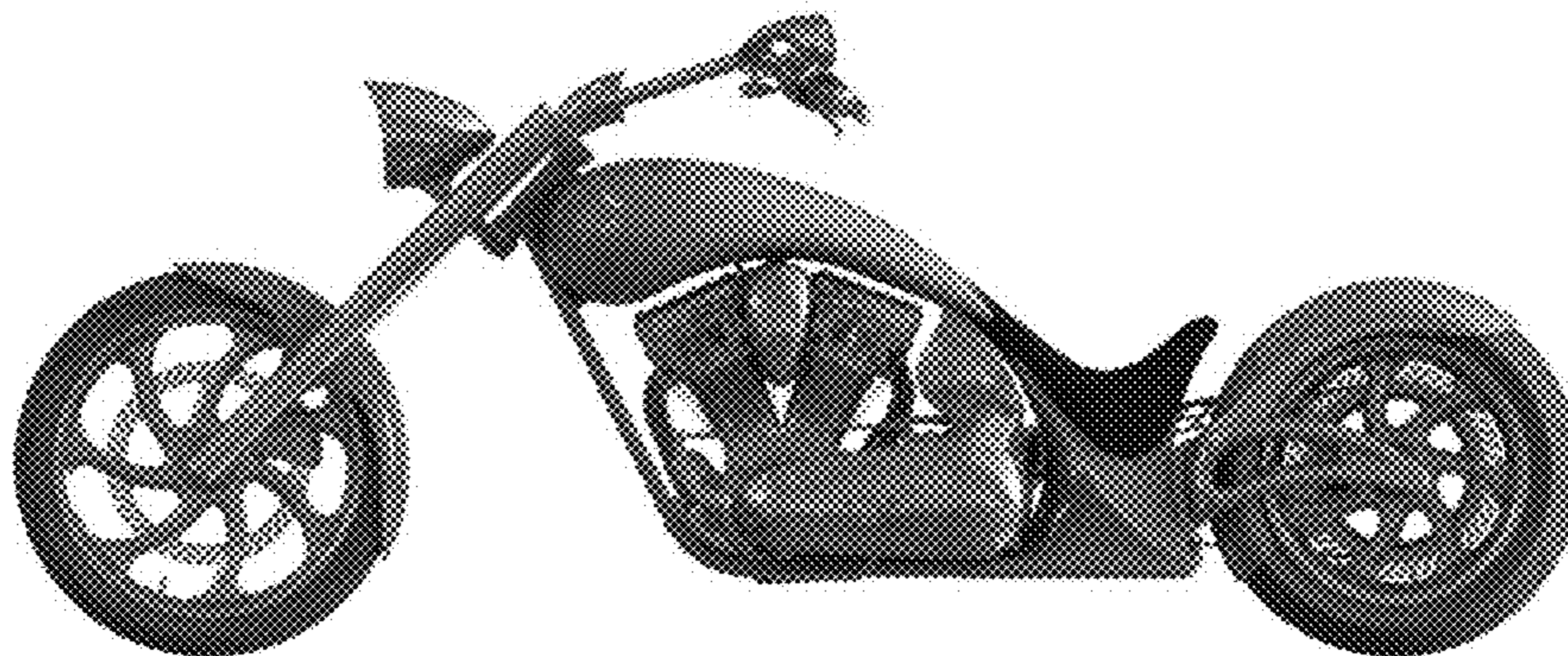
The ornamental design for a motorcycle, as shown and described.

DESCRIPTION

The patent or application file contains at least one drawing executed in color. Copies of this patent or patent application publication with color drawing(s) will be provided by the Office upon request and payment of the necessary fee.

- 1. Motorcycle
- 1.1 is a left side elevation view of a motorcycle showing my new design;
- 1.2 is a right side elevation view thereof;
- 1.3 is a front elevation view thereof;
- 1.4 is a rear elevation view thereof;
- 1.5 is a top plan view thereof; and
- 1.6 is a bottom plan view thereof.

1 Claim, 6 Drawing Sheets
(6 of 6 Drawing Sheet(s) Filed in Color)



(56)

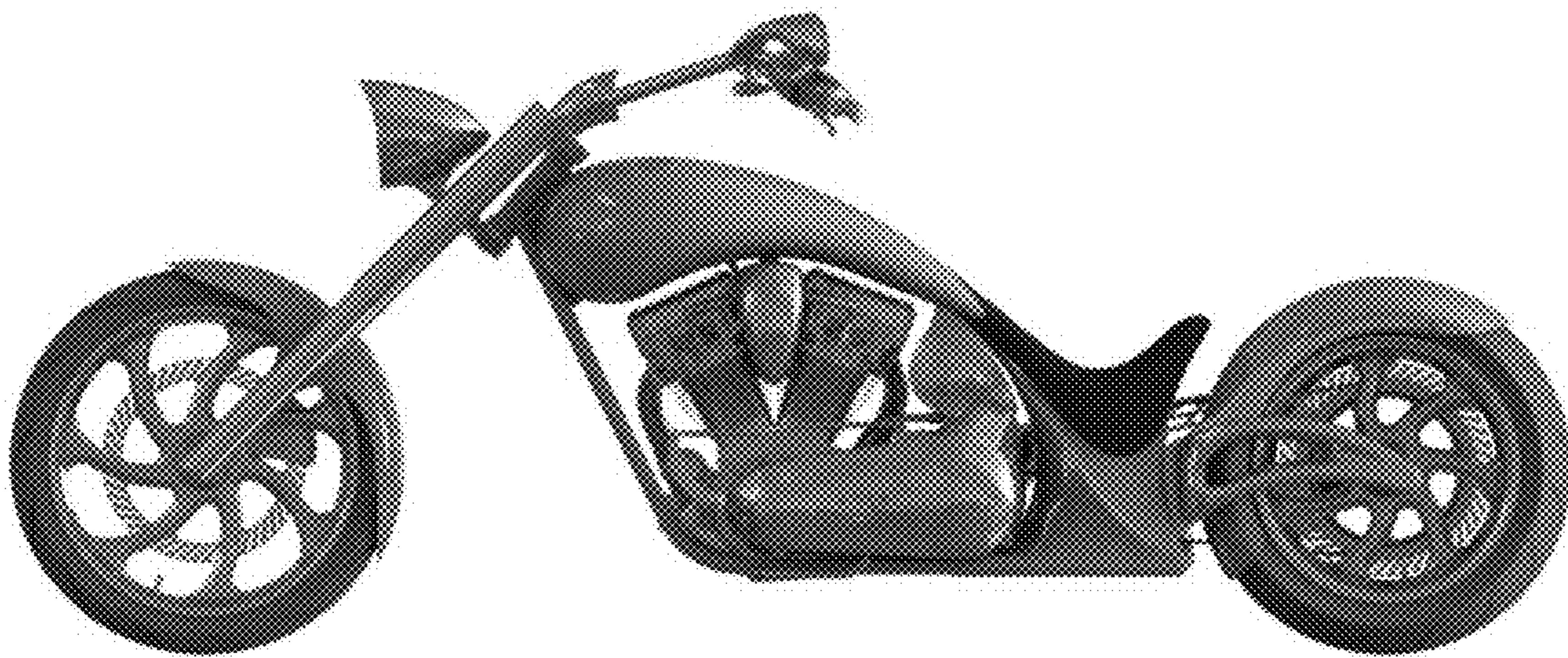
References Cited

U.S. PATENT DOCUMENTS

D734,214 S	*	7/2015	Honda	D12/110
D744,906 S	*	12/2015	Song	D12/110
D761,702 S	*	7/2016	Kobayashi	D12/118
D766,135 S	*	9/2016	Davidson	D12/110
D774,964 S	*	12/2016	Akashi	D12/110
D788,649 S	*	6/2017	Chang	D12/110
D811,945 S	*	3/2018	Laliberte	D12/110
D814,978 S	*	4/2018	Niu	D12/110

* cited by examiner

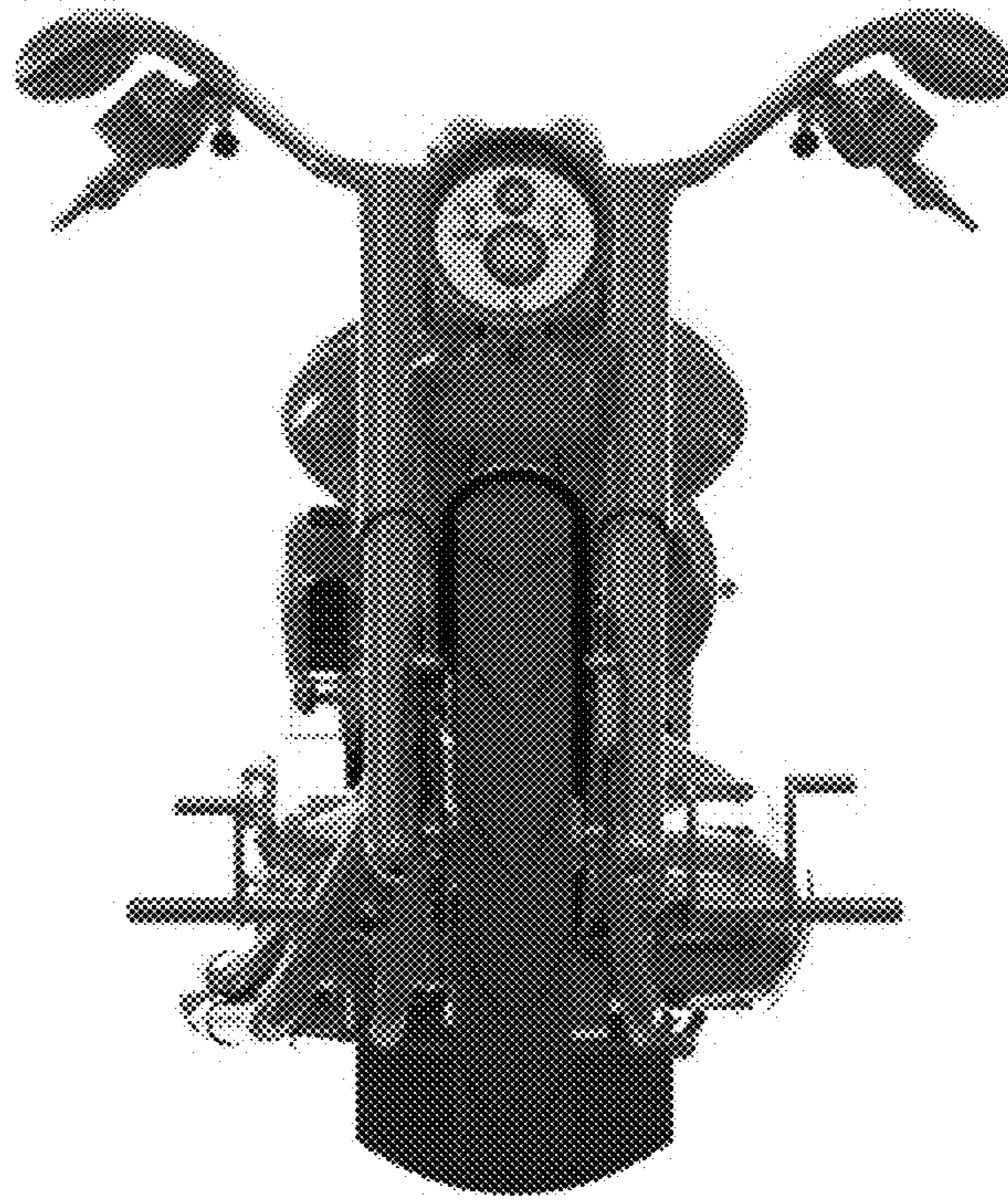
1.1



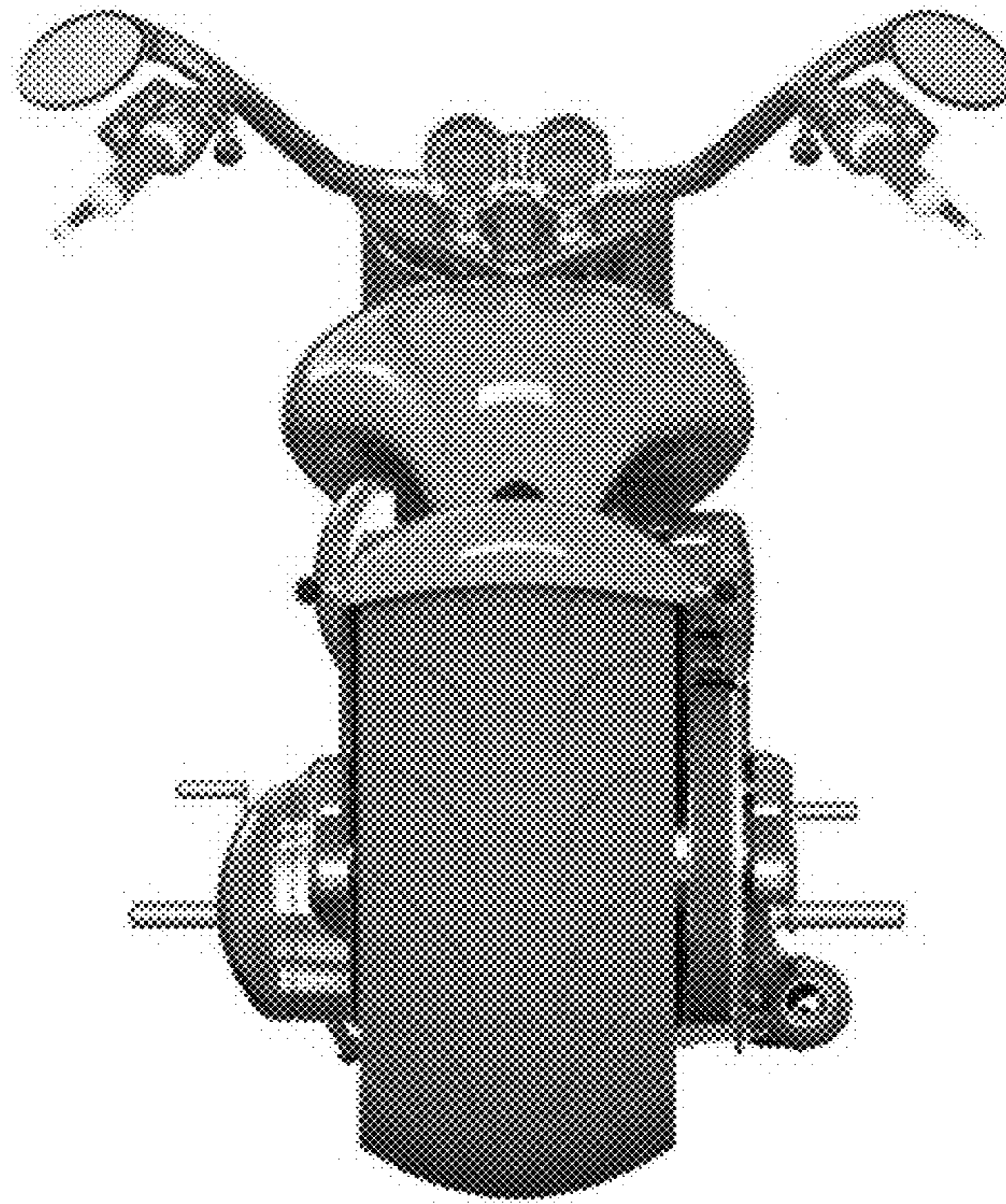
1.2



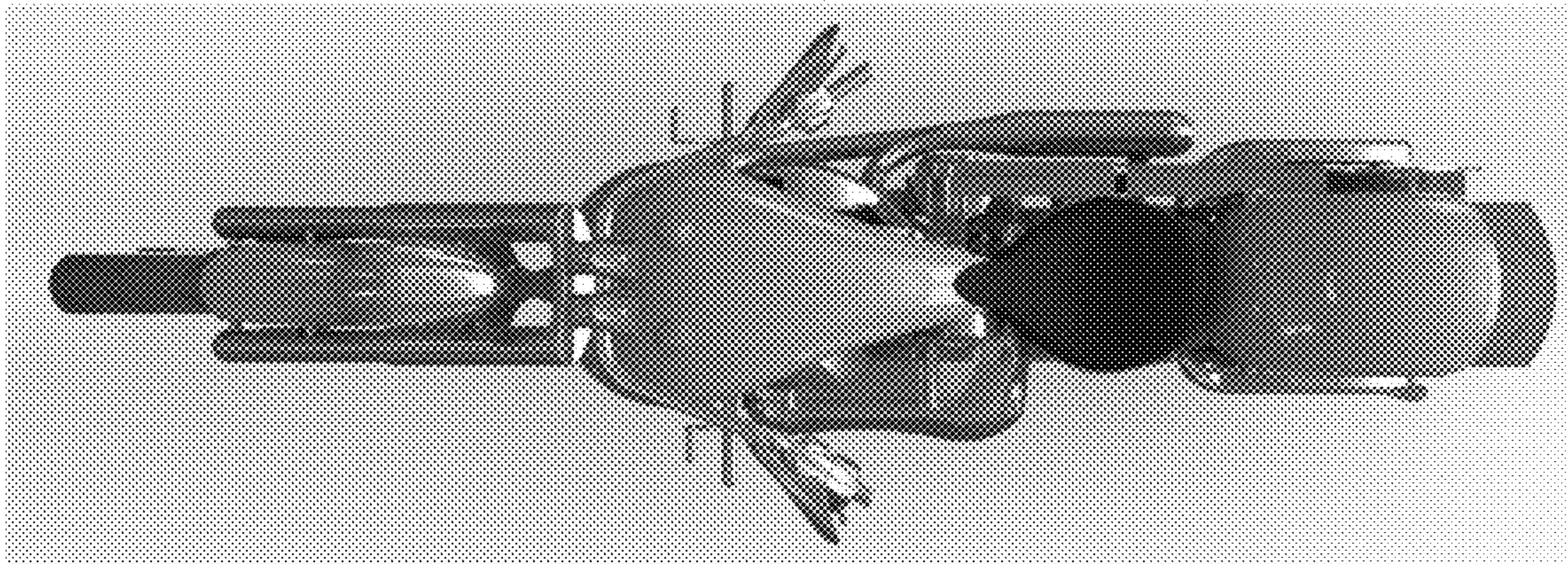
1.3



1.4



1.5



1.6

