



US00D853887S

(12) **United States Design Patent** (10) **Patent No.:** **US D853,887 S**  
**Samokhvalov** (45) **Date of Patent:** **\*\* Jul. 16, 2019**

(54) **ALL-TERRAIN VEHICLE**  
(71) Applicant: **Sergei Samokhvalov**, Mizhgirya (UA)  
(72) Inventor: **Sergei Samokhvalov**, Mizhgirya (UA)  
(73) Assignee: **ENSENOR ENTERPRISES LIMITED**, Nicosia (CY)  
(\* ) Notice: This patent is subject to a terminal disclaimer.  
(\*\*) Term: **14 Years**  
(21) Appl. No.: **29/521,523**  
(22) Filed: **Mar. 24, 2015**

D425,141 S \* 5/2000 Park ..... D21/550  
D454,602 S \* 3/2002 Tse ..... D21/552  
D498,798 S \* 11/2004 Wei ..... D21/550  
D527,772 S \* 9/2006 Bowen ..... D21/533  
D534,593 S \* 1/2007 Yuen ..... D21/562  
D534,967 S \* 1/2007 Clark ..... D21/562  
D538,861 S \* 3/2007 Takahashi ..... D21/550  
D602,047 S \* 10/2009 Kushita ..... D15/23  
D661,224 S \* 6/2012 Allaire ..... D12/12  
D668,270 S \* 10/2012 Kushita ..... D15/23  
D682,321 S \* 5/2013 Adamson ..... D15/23

\* cited by examiner

*Primary Examiner* — Darlington Ly  
(74) *Attorney, Agent, or Firm* — Inventa Capital PLC

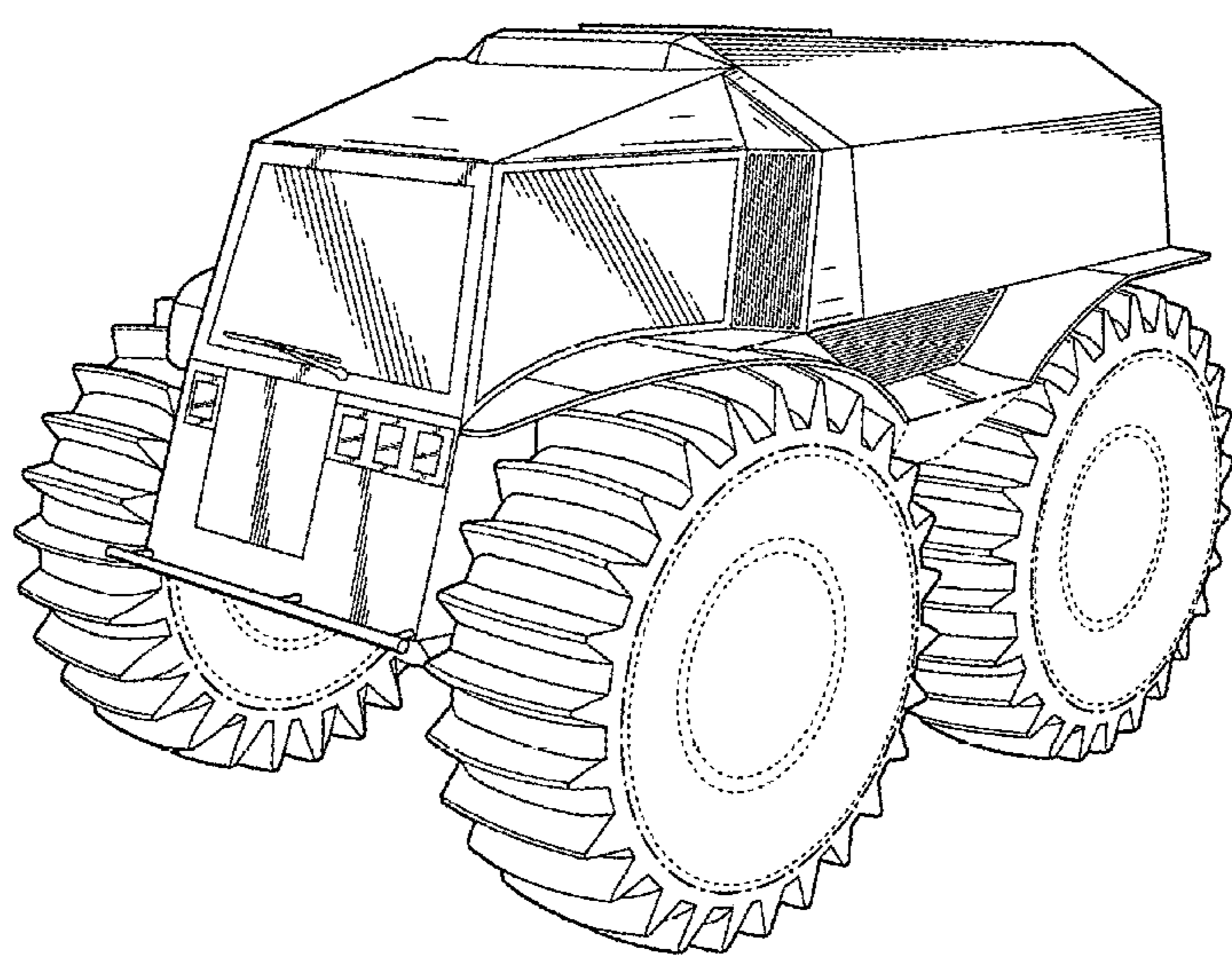
(30) **Foreign Application Priority Data**  
Feb. 26, 2015 (EM) ..... 002641852-0001  
Feb. 26, 2015 (EM) ..... 002641852-0002  
(51) **LOC (11) Cl.** ..... **12-13**  
(52) **U.S. Cl.**  
USPC ..... **D12/12**  
(58) **Field of Classification Search**  
USPC ..... D12/82, 87, 88, 93, 96–98; D15/10,  
D15/14–17, 22–26; D21/533, 538, 541,  
D21/542, 548, 549, 550, 551, 562  
CPC ..... A63H 17/00; B62D 49/00; B62K 5/01  
See application file for complete search history.

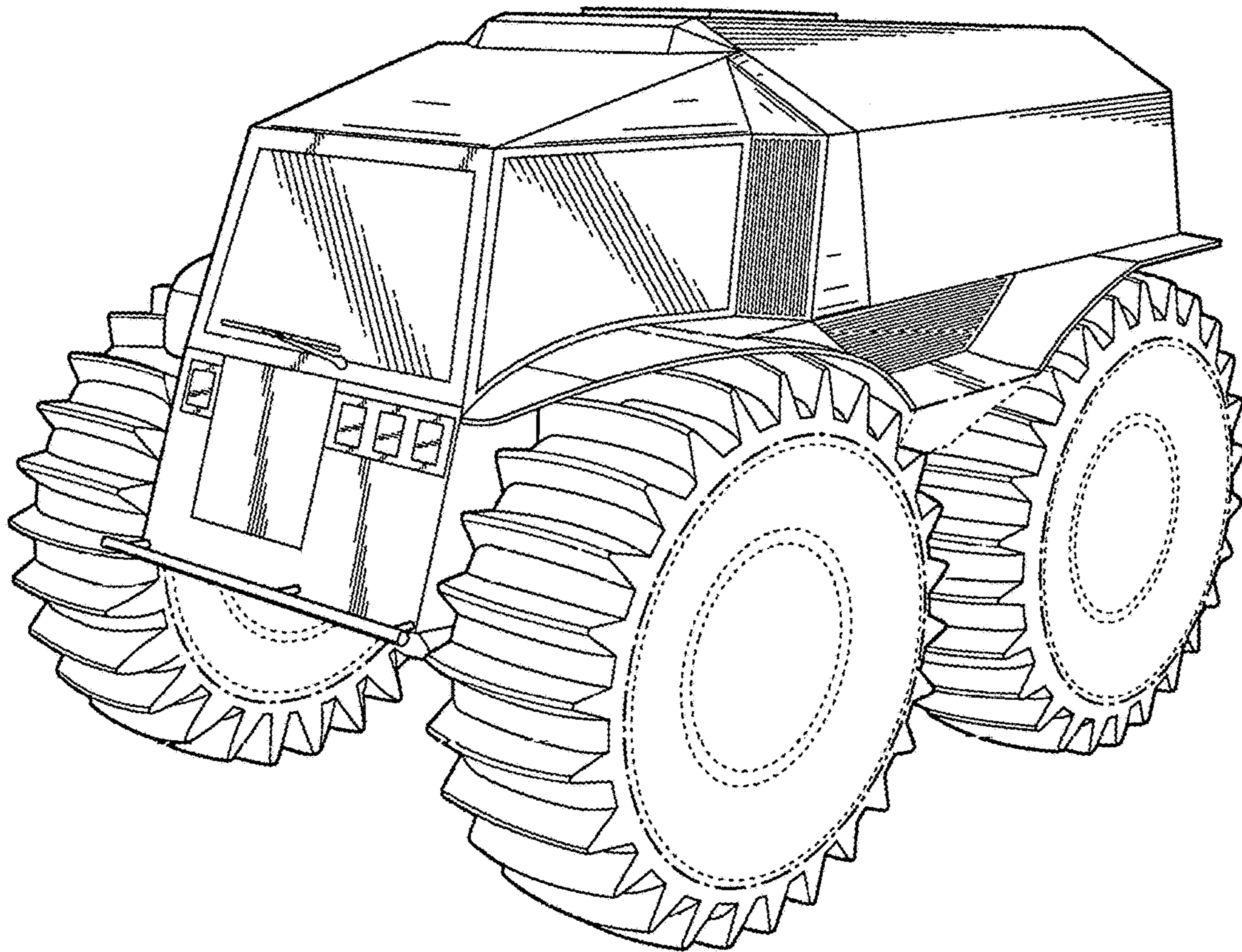
(57) **CLAIM**  
I claim the ornamental design for an all-terrain vehicle, as shown and described.

(56) **References Cited**  
U.S. PATENT DOCUMENTS  
5,102,367 A \* 4/1992 Mullaney ..... A63H 17/262  
446/448  
D368,746 S \* 4/1996 Chilton ..... D21/550

**DESCRIPTION**  
FIG. 1 is a front and left side perspective view of the all-terrain vehicle showing my new design; FIG. 2 is a front perspective view thereof; FIG. 3 is a rear perspective view thereof; FIG. 4 is a left side elevation view thereof; FIG. 5 is a right side elevation view thereof; FIG. 6 is a top and front perspective view thereof; and, FIG. 7 is a rear and left side perspective view thereof. The broken lines in the drawings illustrate portions of the all-terrain vehicle that form no part of the claimed design.

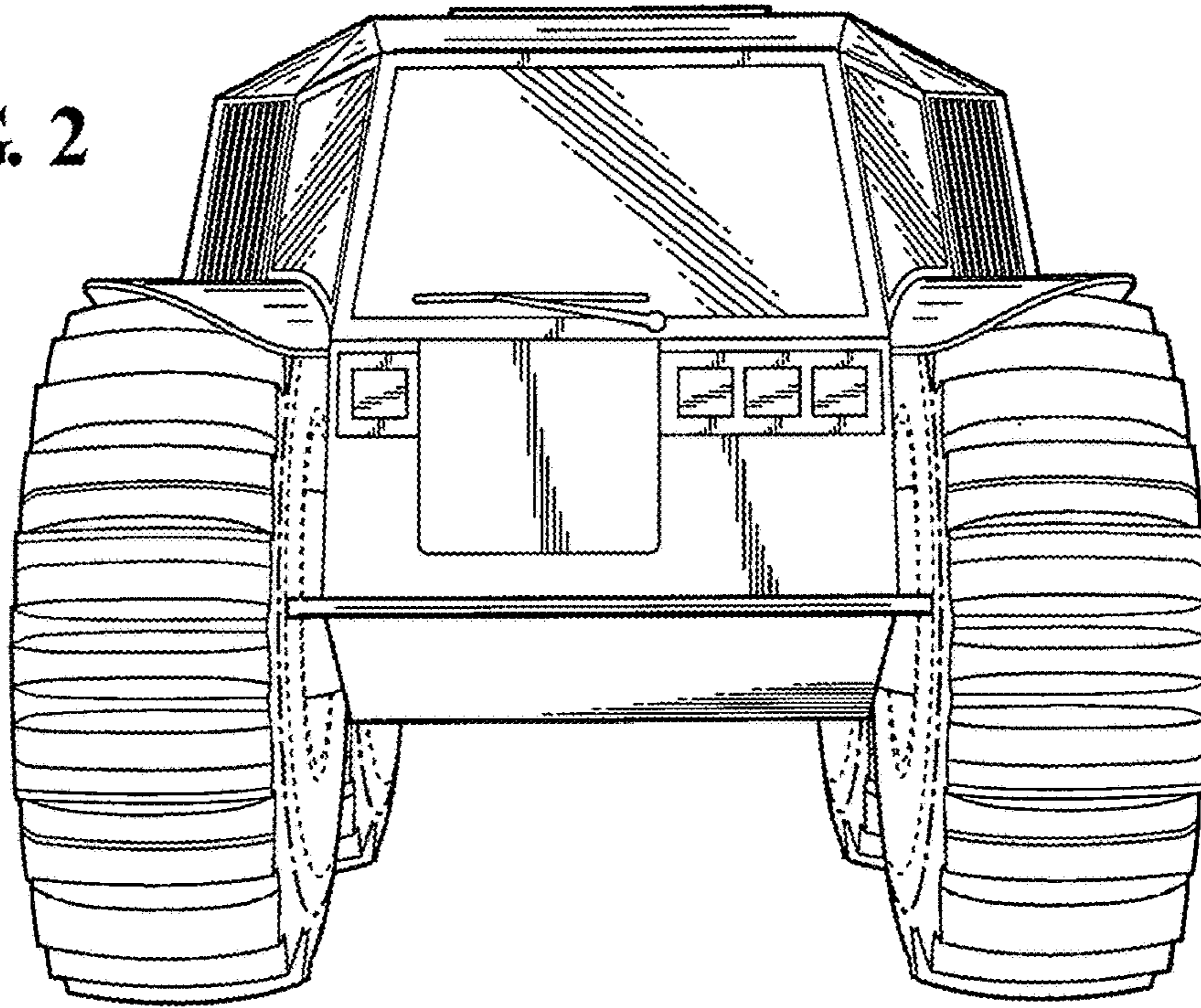
**1 Claim, 5 Drawing Sheets**



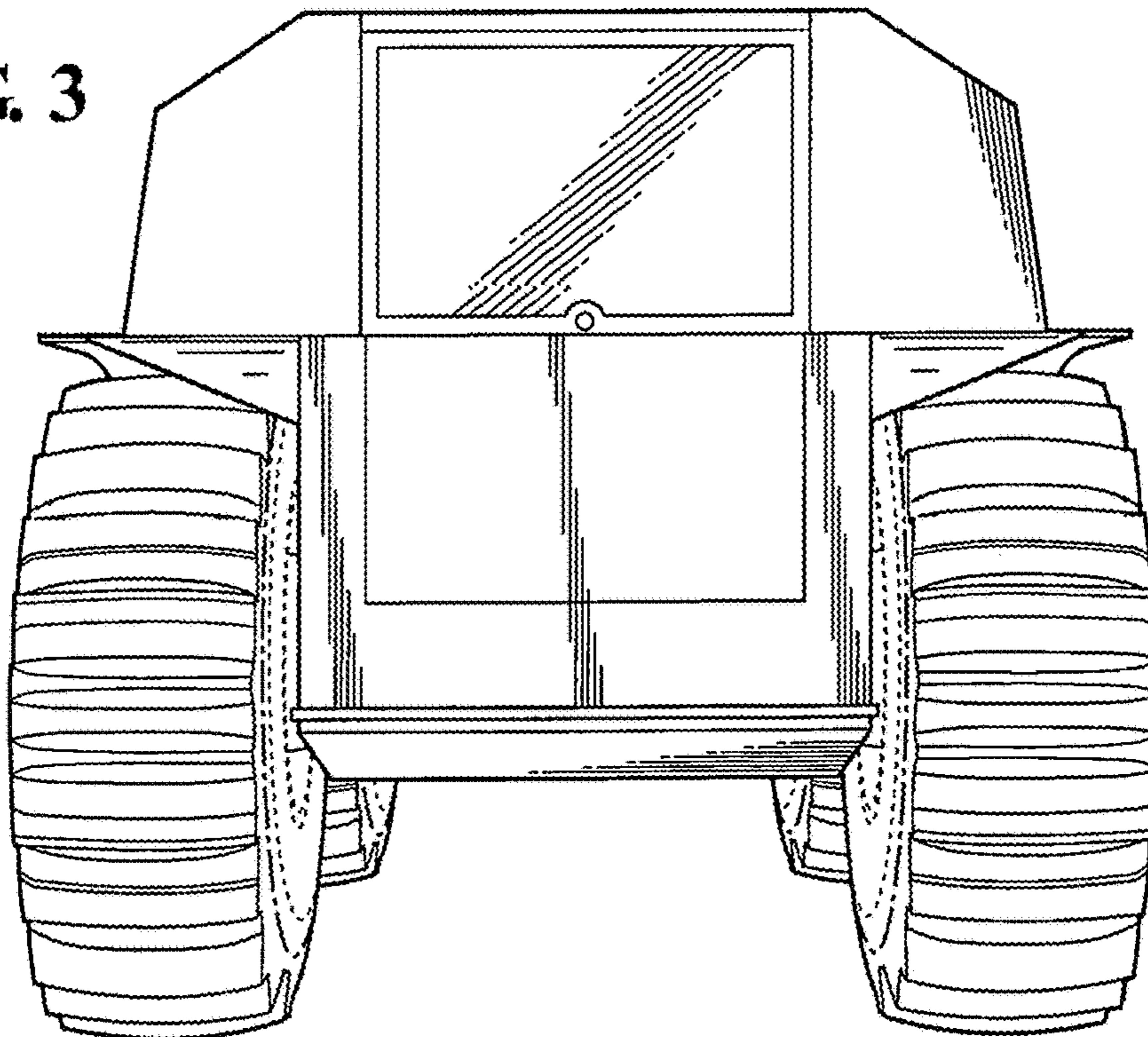


**FIG. 1**

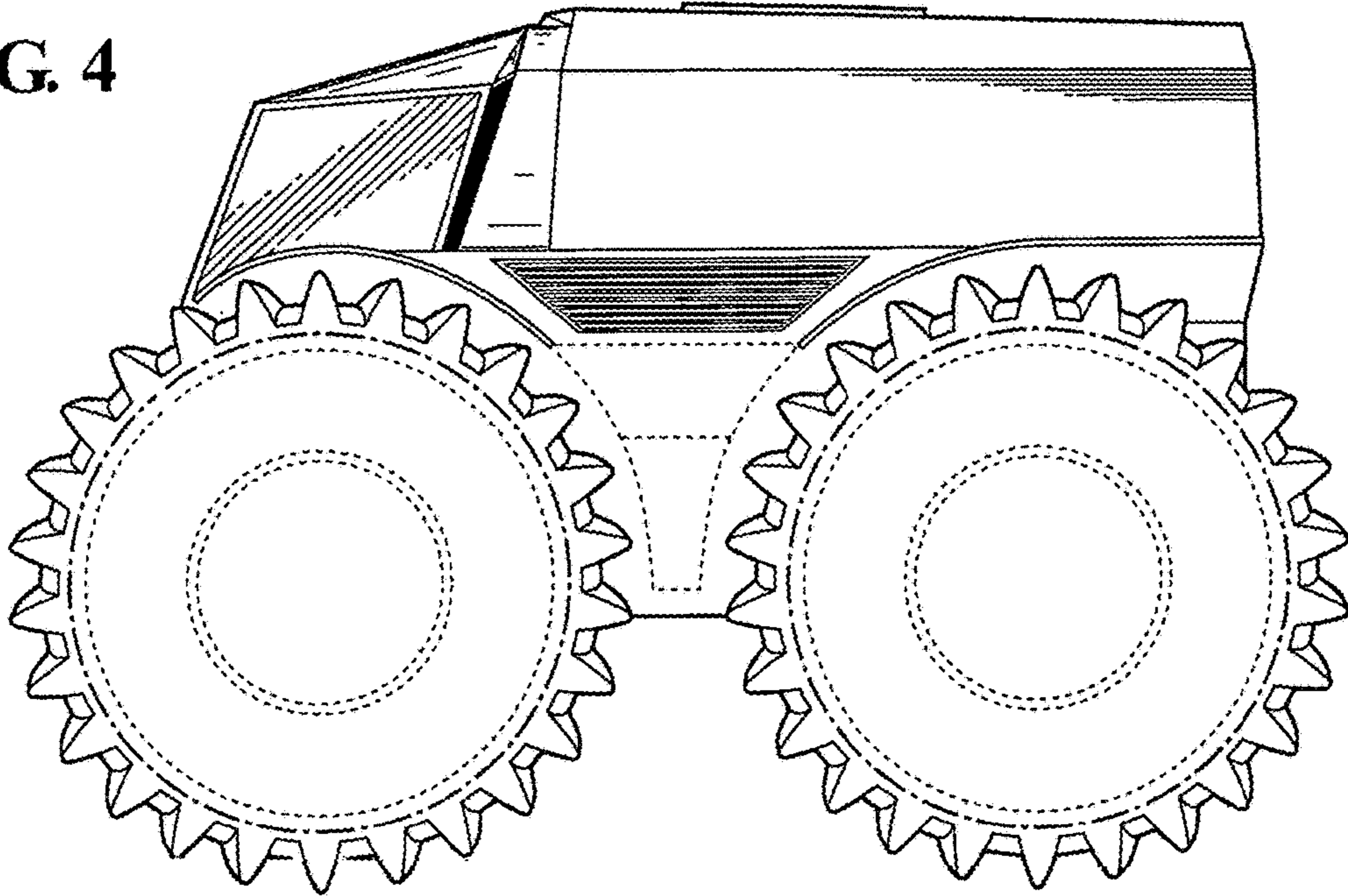
**FIG. 2**



**FIG. 3**



**FIG. 4**



**FIG. 5**

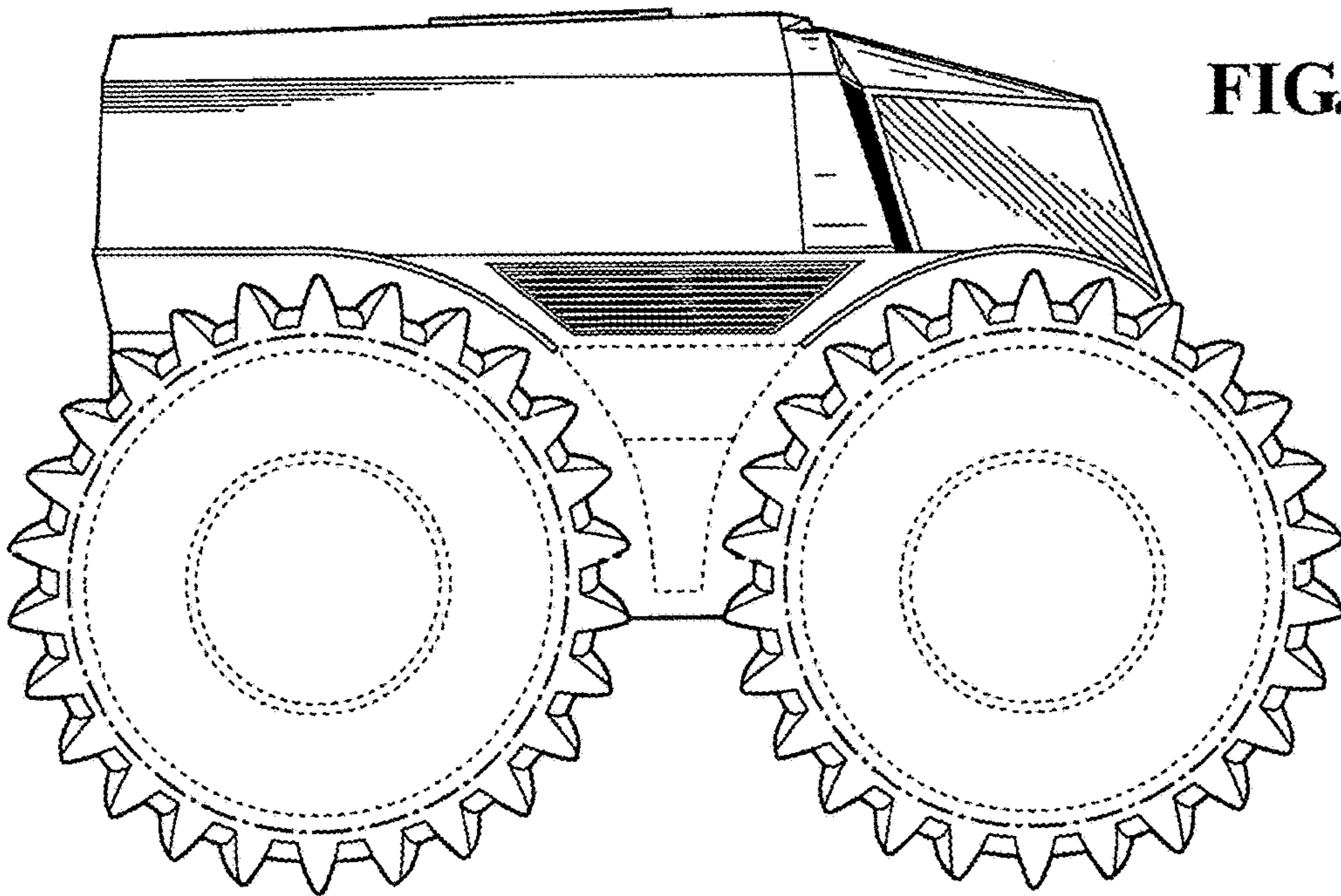
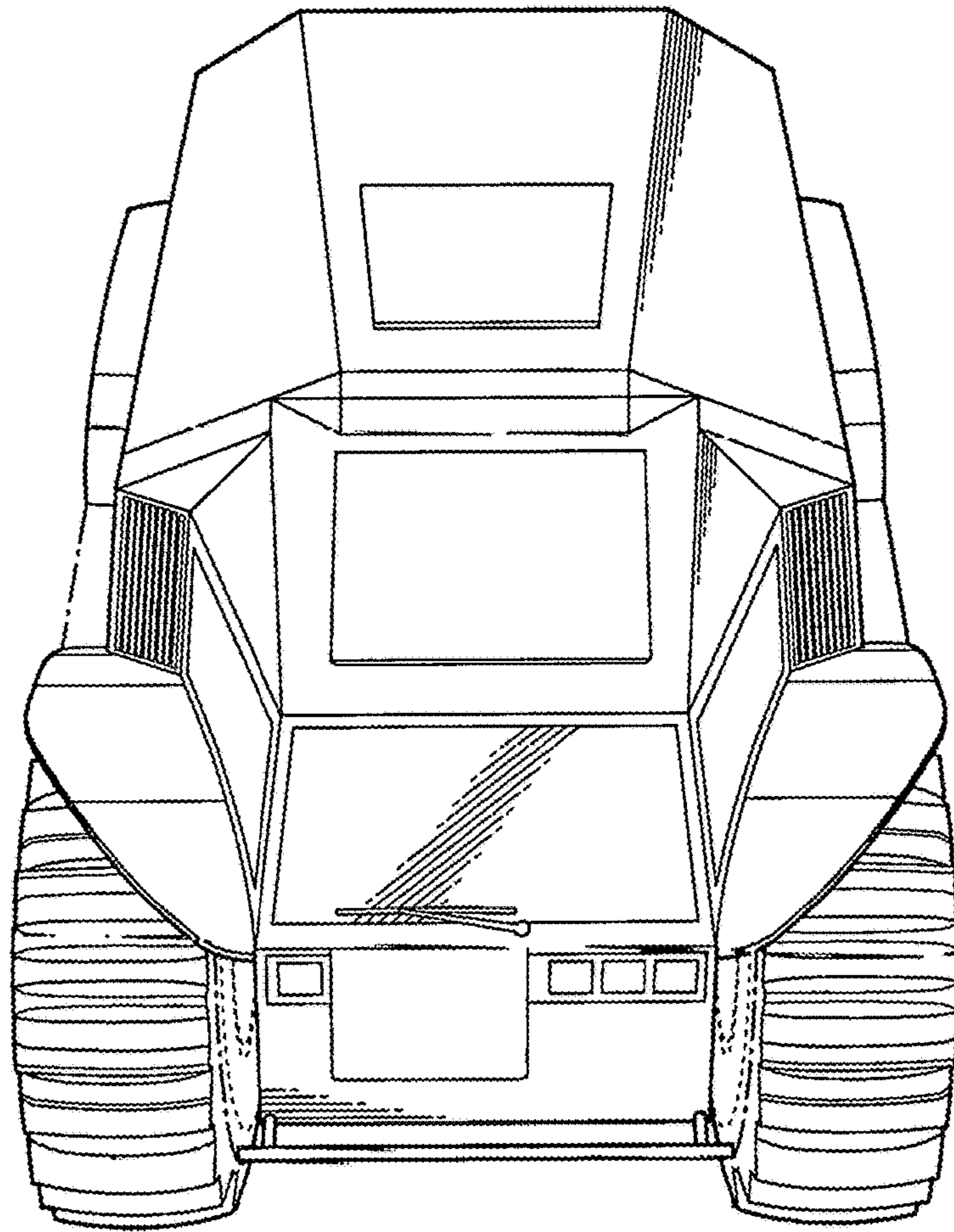
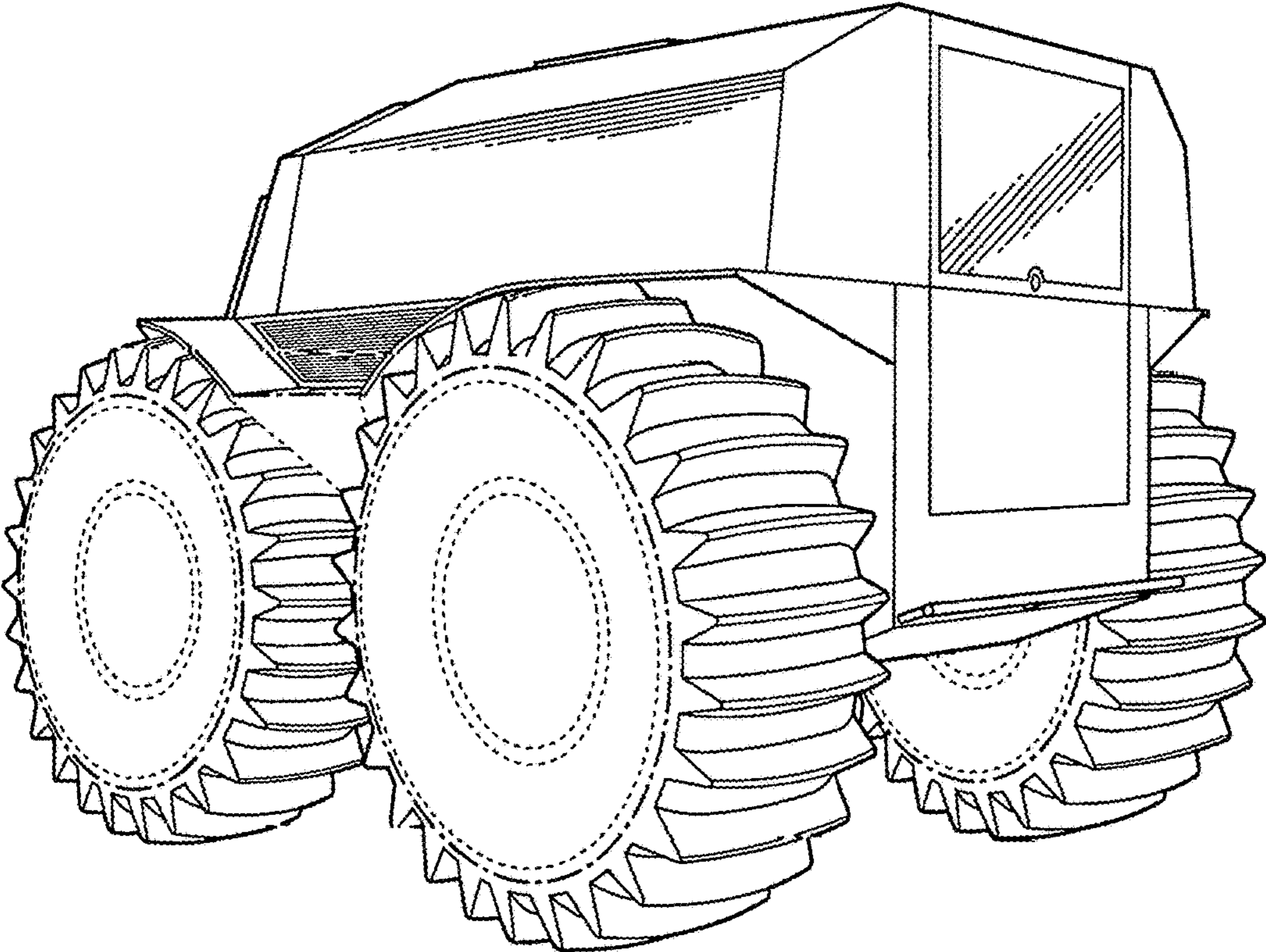


FIG. 6





**FIG. 7**