



US00D853884S

(12) **United States Design Patent**
Tranchita

(10) **Patent No.:** **US D853,884 S**
(45) **Date of Patent:** **** Jul. 16, 2019**

- (54) **CHRISTMAS TREE HALO**
- (71) Applicant: **Justin Tranchita**, Clearwater, FL (US)
- (72) Inventor: **Justin Tranchita**, Clearwater, FL (US)
- (**) Term: **15 Years**
- (21) Appl. No.: **29/644,418**
- (22) Filed: **Apr. 17, 2018**
- (51) **LOC (11) Cl.** **11-05**
- (52) **U.S. Cl.**
USPC **D11/130**
- (58) **Field of Classification Search**
USPC D11/117, 121, 130, 130.1, 131, 164;
D26/1, 24, 25, 51, 55, 61, 93, 103, 113;
D23/323, 415
CPC A47G 33/00; A47G 33/08; A47G 33/0863;
A47G 33/10; A47G 33/105; A47G 33/12;
A47G 2033/0827; A47G 2033/122; F21S
4/00; F21S 4/10; F21S 4/20; F21S 4/22;
F21S 4/24; F21S 4/26; F21S 4/28
See application file for complete search history.

- (56) **References Cited**
U.S. PATENT DOCUMENTS
1,711,993 A * 5/1929 Erickson F21V 15/02
362/376
1,888,723 A * 11/1932 Gould A47G 33/105
24/344
1,972,505 A * 9/1934 Wilson A47F 5/0006
211/106
2,089,111 A * 8/1937 Bussey A47G 33/105
24/332

- 2,205,496 A * 6/1940 Max A47G 33/10
211/112
- D226,173 S * 1/1973 Hermanson D11/130
- 5,071,098 A * 12/1991 Aldridge A47F 5/04
248/219.2
- D616,789 S * 6/2010 Huse D11/130
- D706,161 S * 6/2014 Madrid D11/130
- 9,803,812 B2 * 10/2017 Kelly F21V 3/02
- 10,107,462 B1 * 10/2018 Loomis F21S 4/10
- 10,136,748 B1 * 11/2018 Blunt A47G 33/06
- 2005/0247837 A1 * 11/2005 Spencer A47B 96/061
248/218.4

* cited by examiner

Primary Examiner — Elizabeth J Oswecki

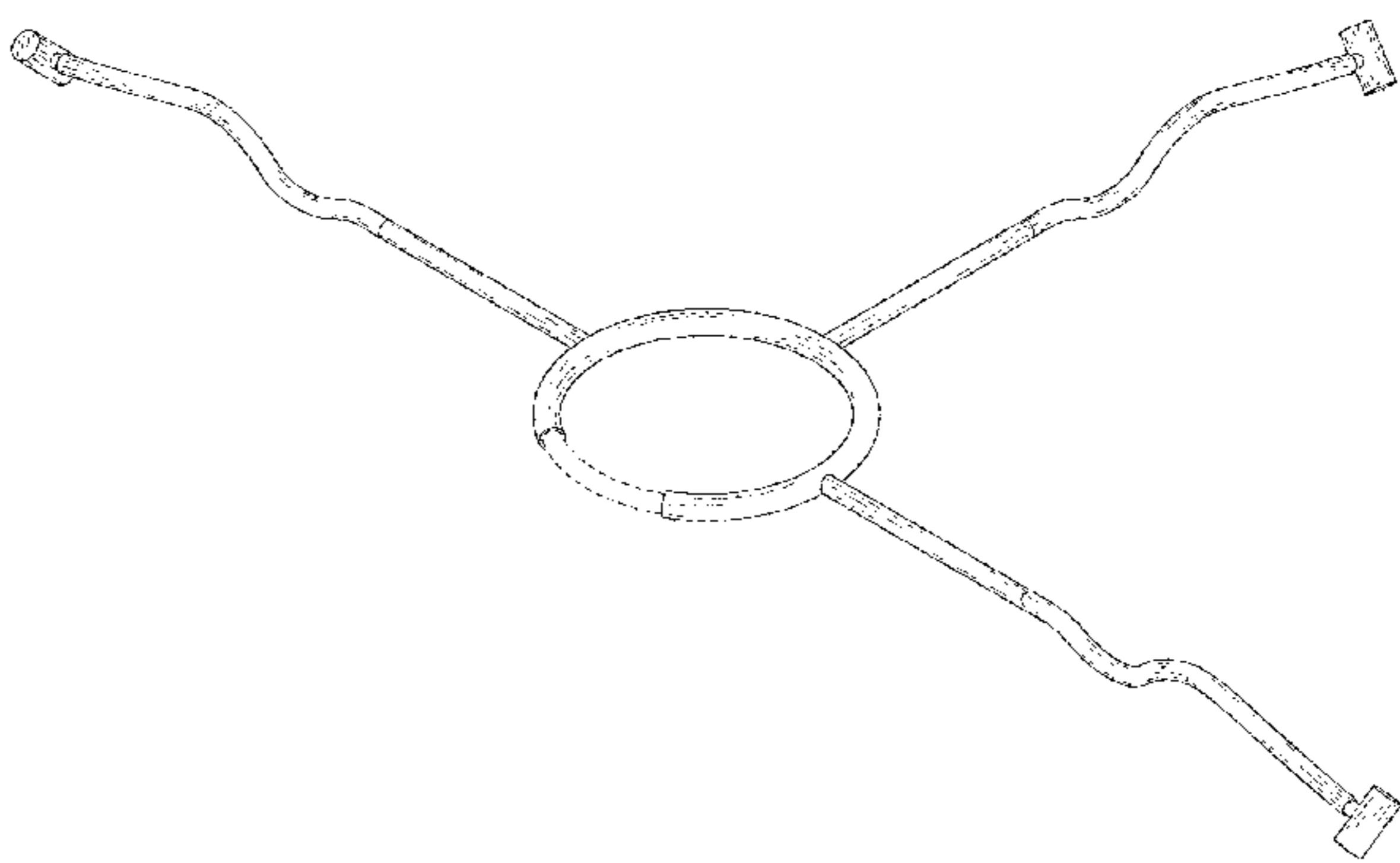
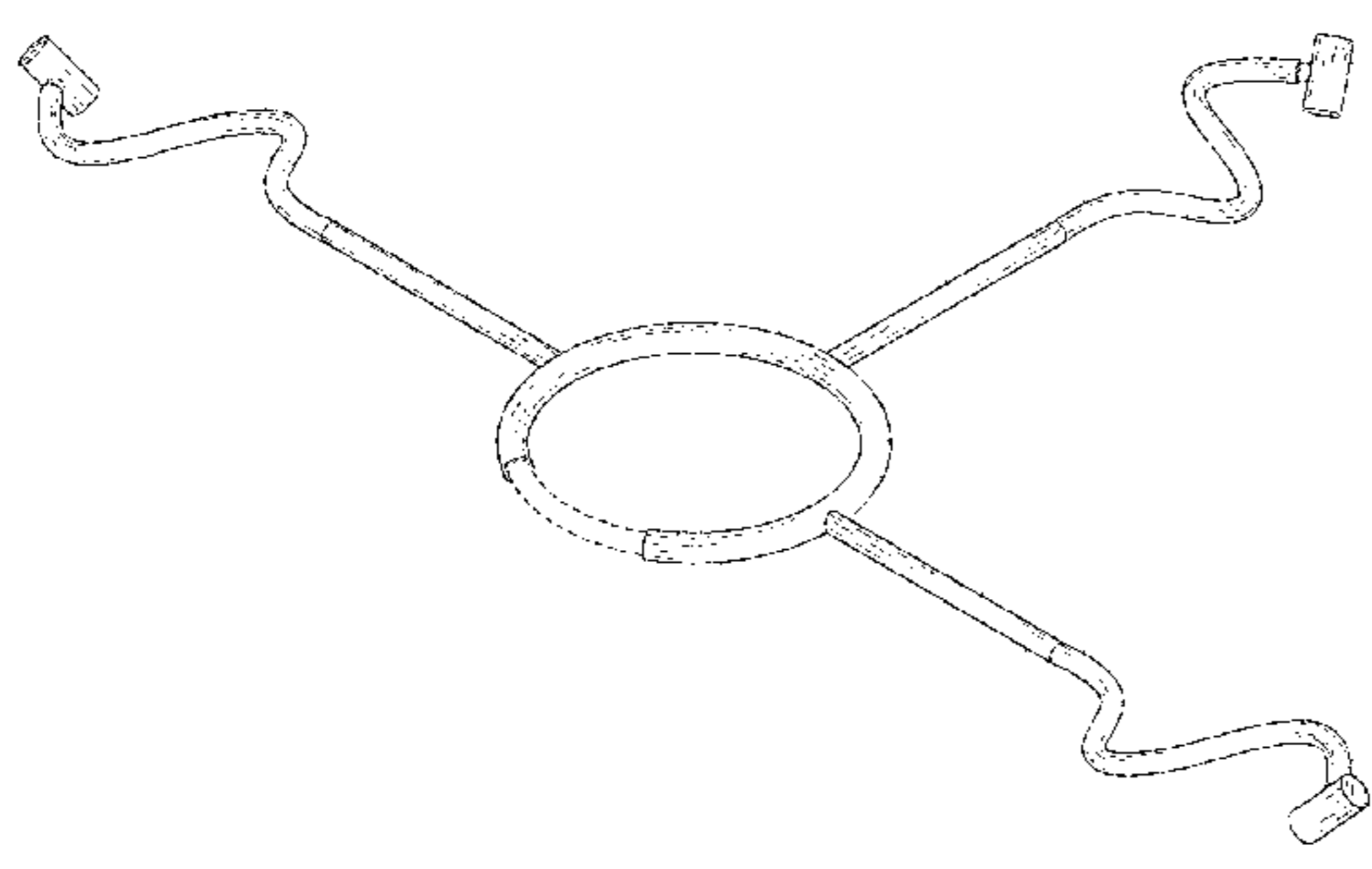
(57) **CLAIM**

The ornamental design for a Christmas tree halo, as shown and described.

DESCRIPTION

FIG. 1 is a top perspective view of a first embodiment of a Christmas tree halo showing my new design;
 FIG. 2 is a bottom perspective view thereof;
 FIG. 3 is a top perspective view of a second embodiment of a Christmas tree halo in an alternate bent configuration showing my new design;
 FIG. 4 is a front view thereof;
 FIG. 5 is a back view thereof;
 FIG. 6 is a top view thereof;
 FIG. 7 is a bottom view thereof;
 FIG. 8 is a left view thereof; and,
 FIG. 9 is a right view thereof.
 The broken lines showing of connectors in FIG. 1-9 are included for the purpose of showing environmental structure and form no part of the claimed design.

1 Claim, 9 Drawing Sheets



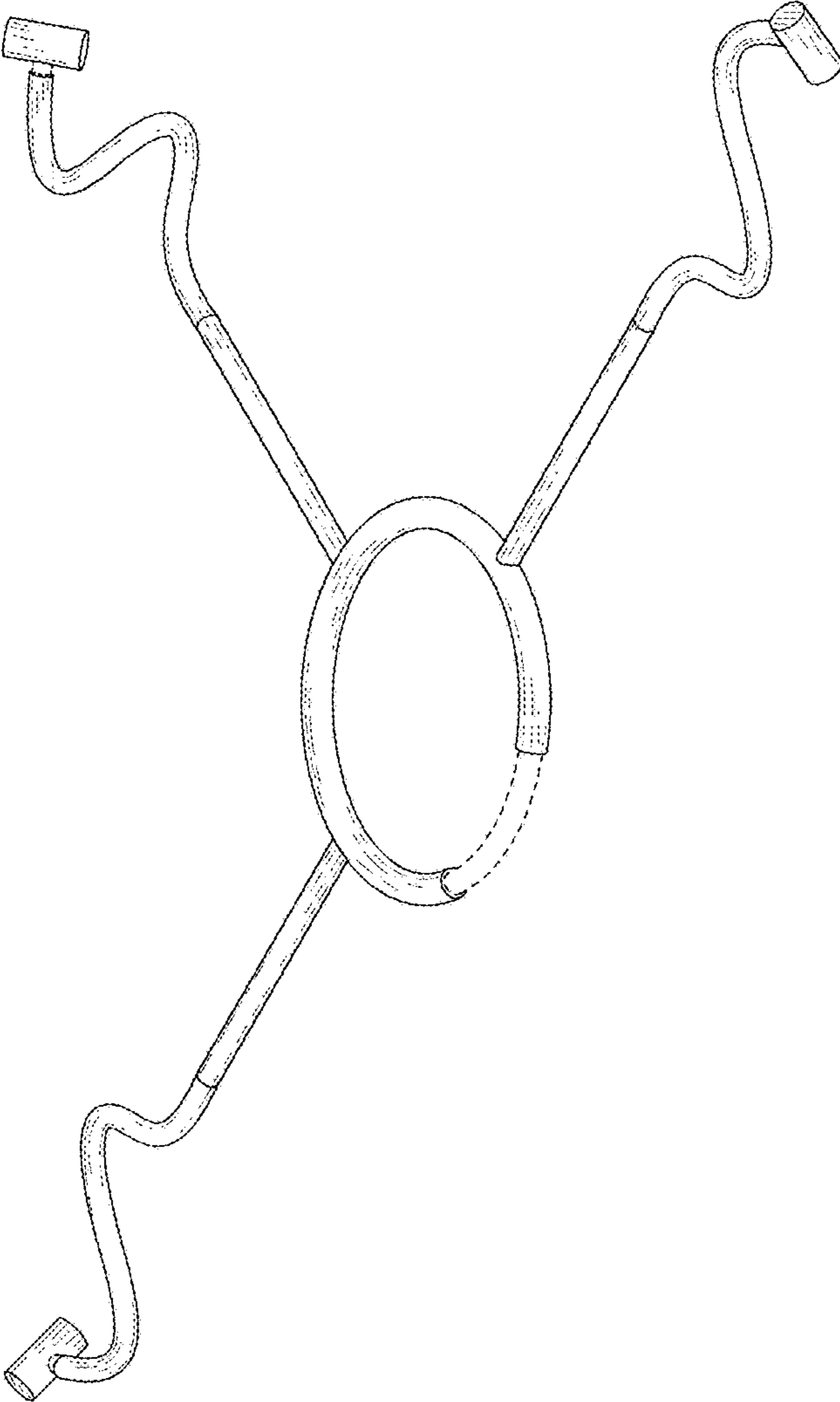


FIG. 1

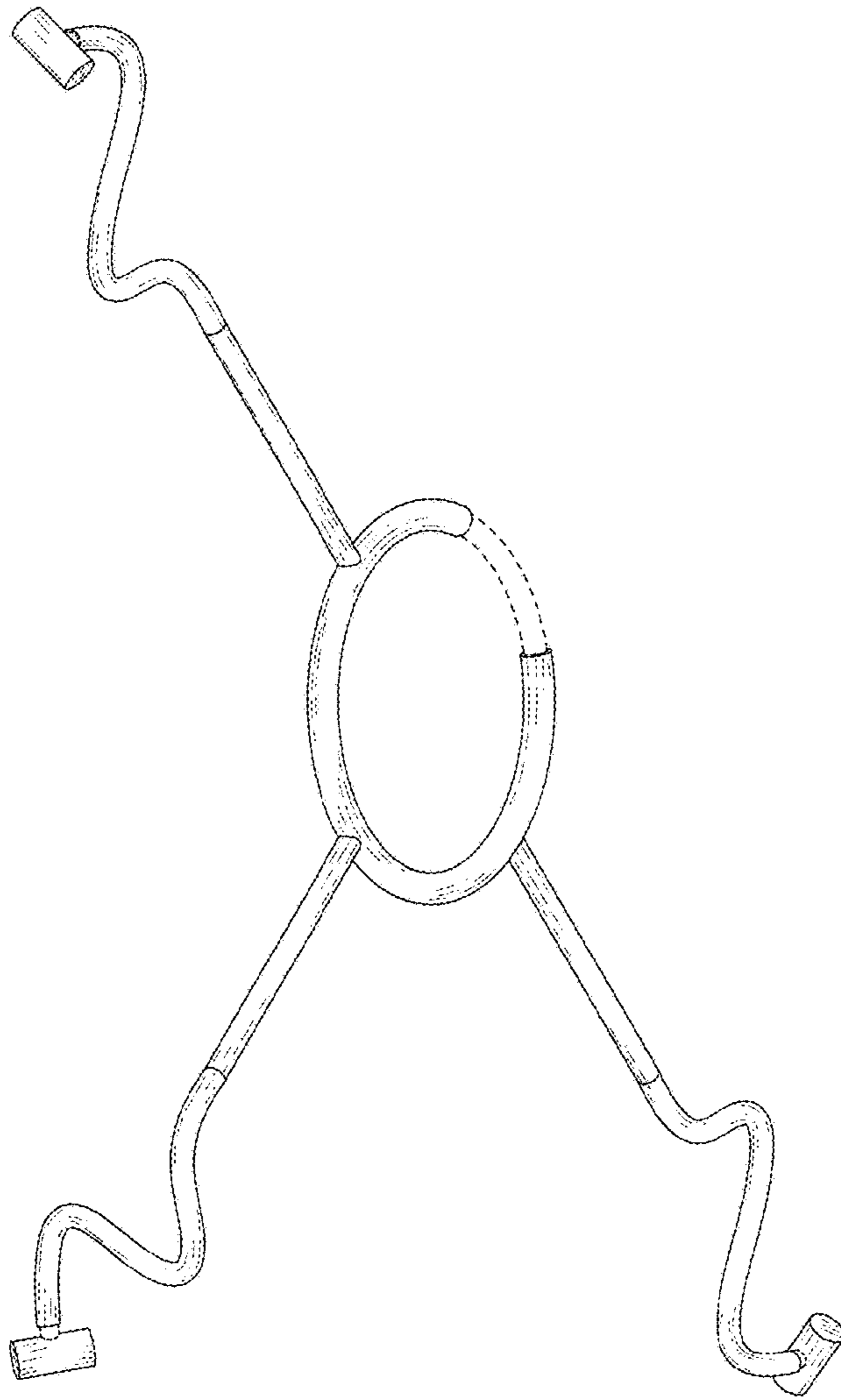


FIG. 2

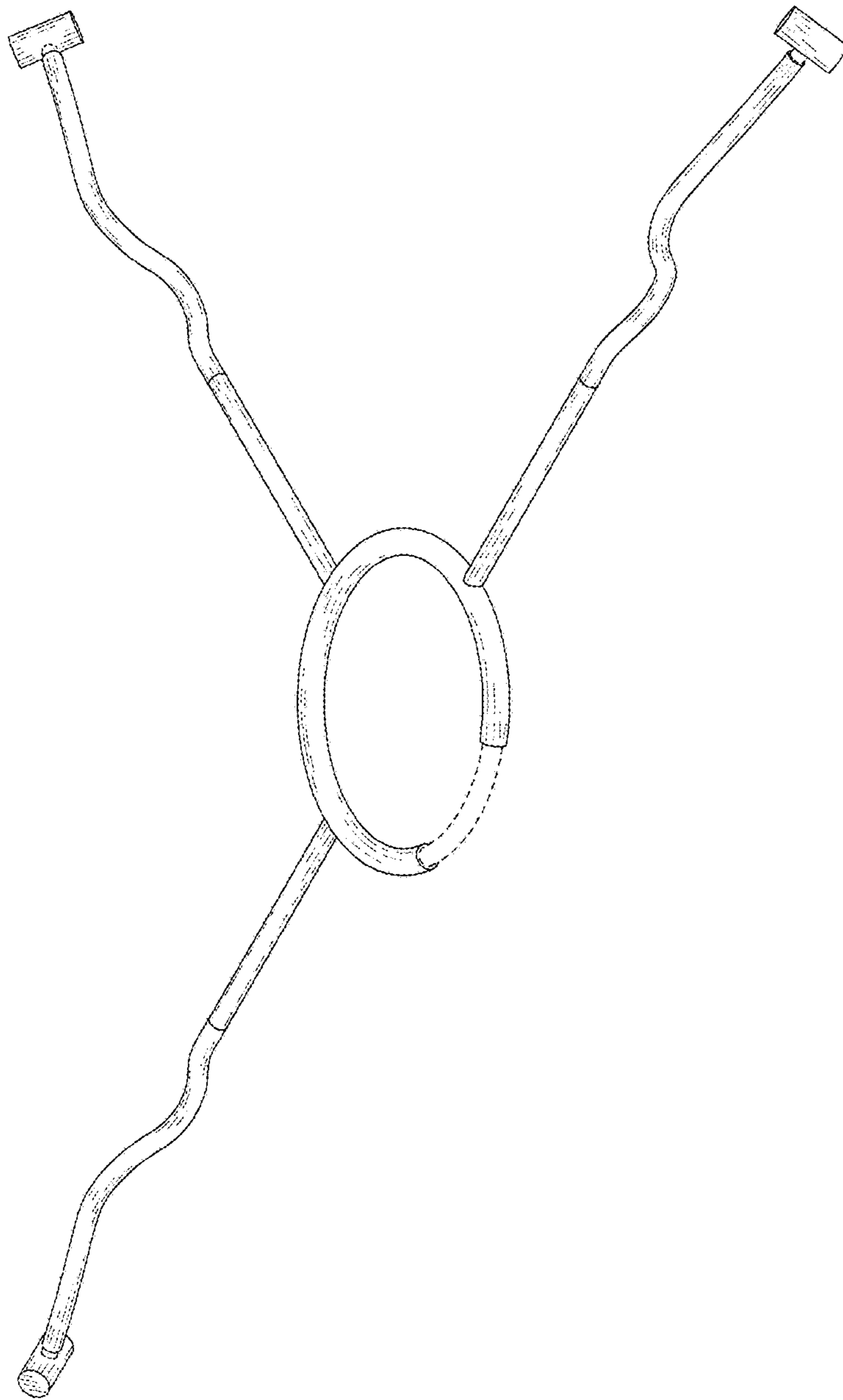


FIG. 3

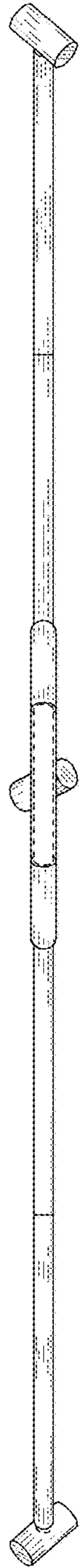


FIG. 4

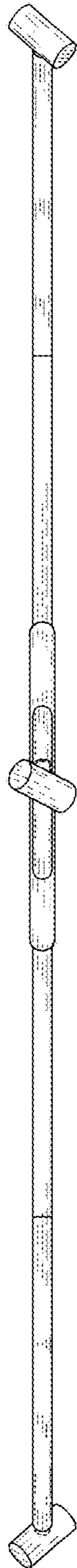


FIG. 5

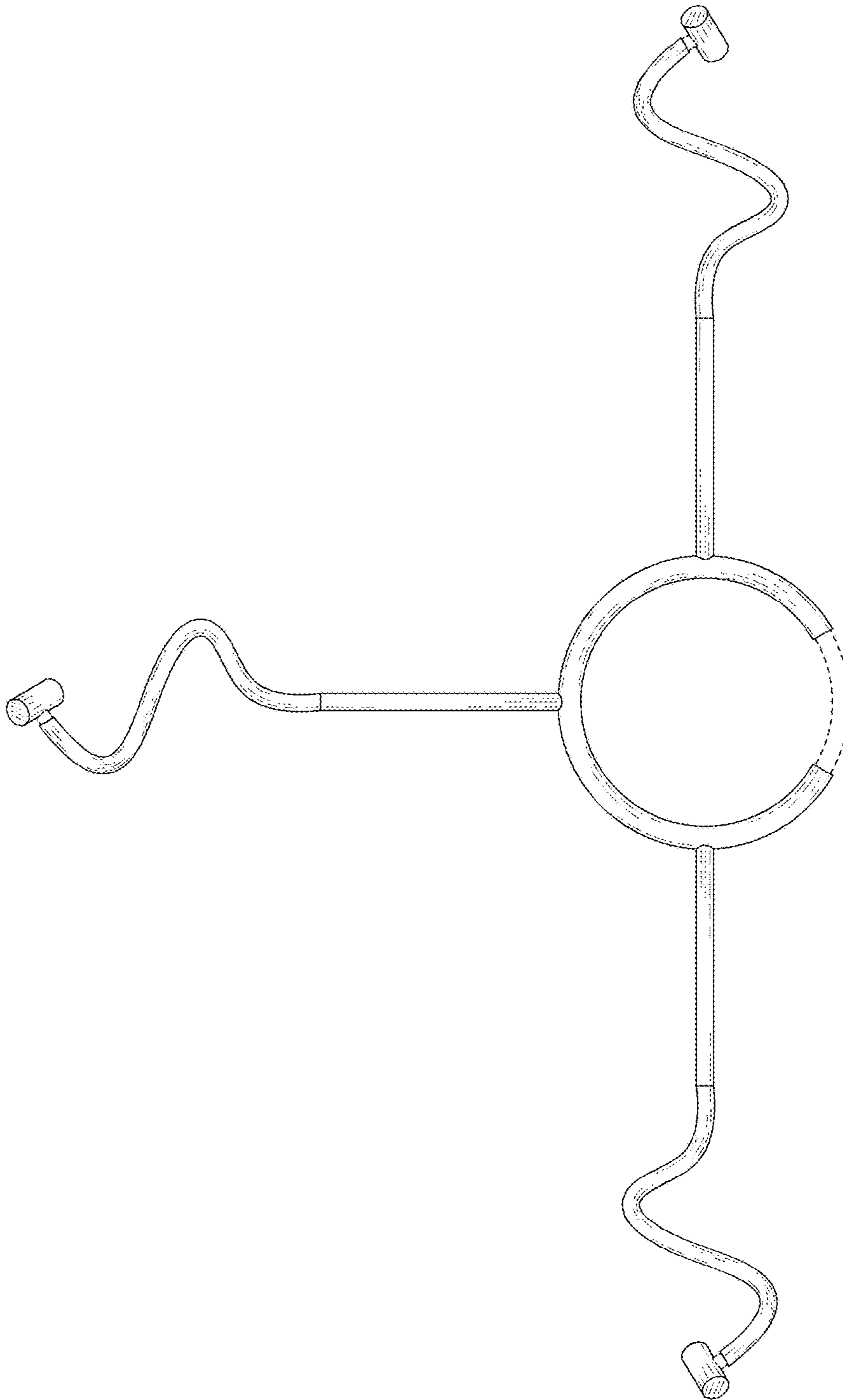


FIG. 6

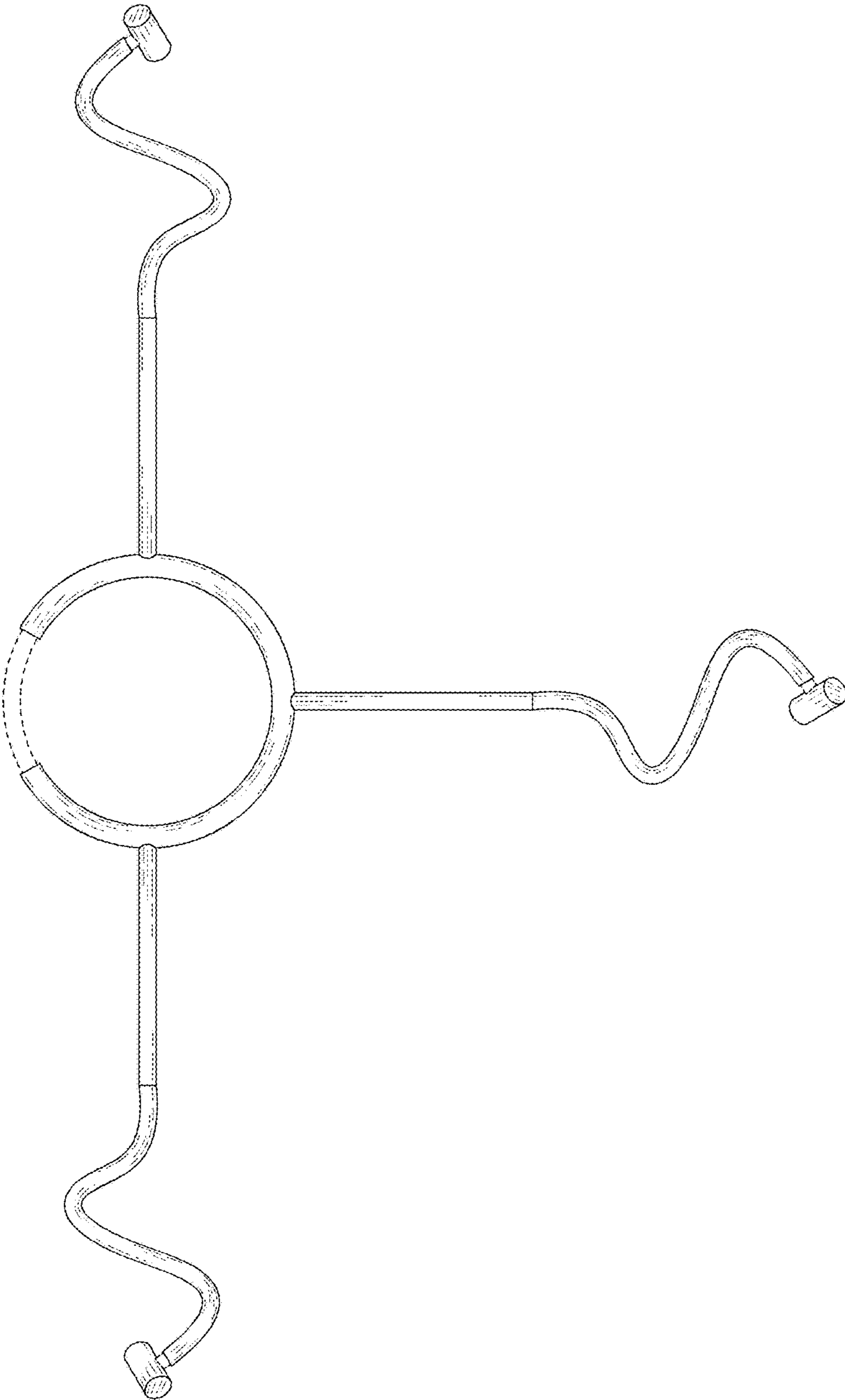


FIG. 7

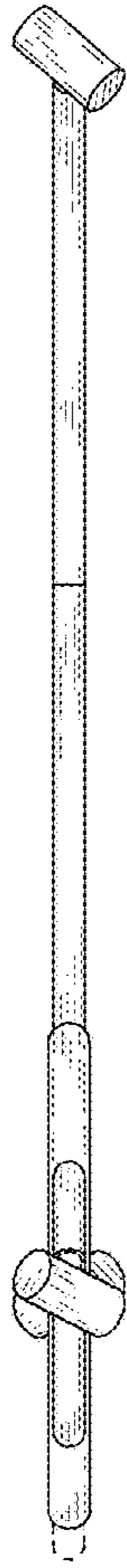


FIG. 8

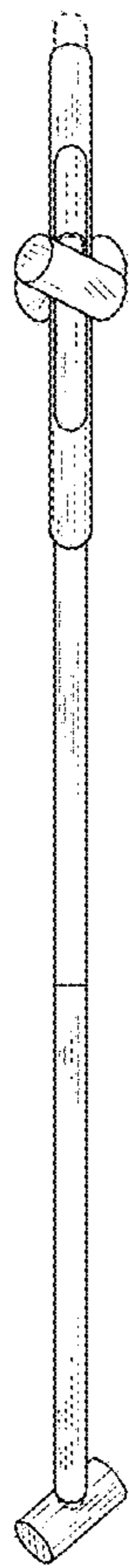


FIG. 9