



US00D853881S

(12) **United States Design Patent** (10) **Patent No.:** **US D853,881 S**
Akana et al. (45) **Date of Patent:** **** Jul. 16, 2019**

(54) **BAND**

(71) Applicant: **Apple Inc.**, Cupertino, CA (US)

(72) Inventors: **Jody Akana**, San Francisco, CA (US);
Bartley K. Andre, Palo Alto, CA (US);
Shota Aoyagi, San Francisco, CA (US);
Anthony Michael Ashcroft, San Francisco, CA (US);
Jeremy Bataillou, San Francisco, CA (US);
Daniel J. Coster, San Francisco, CA (US);
Daniele De Iuliis, San Francisco, CA (US);
M. Evans Hankey, San Francisco, CA (US);
Julian Hoenig, San Francisco, CA (US);
Richard P. Howarth, San Francisco, CA (US);
Jonathan P. Ive, San Francisco, CA (US);
Duncan Robert Kerr, San Francisco, CA (US);
Marc A. Newson, London (GB);
Matthew Dean Rohrbach, San Francisco, CA (US);
Peter Russell-Clarke, San Francisco, CA (US);
Benjamin Andrew Shaffer, San Jose, CA (US);
Mikael Silvanto, San Francisco, CA (US);
Christopher J. Stringer, Woodside, CA (US);
Eugene Antony Whang, San Francisco, CA (US);
Rico Zörkendörfer, San Francisco, CA (US)

(73) Assignee: **Apple Inc.**, Cupertino, CA (US)

(**) Term: **15 Years**

(21) Appl. No.: **29/670,545**

(22) Filed: **Nov. 16, 2018**

Related U.S. Application Data

(63) Continuation of application No. 29/566,153, filed on May 27, 2016, now Pat. No. Des. 833,909, which is a continuation of application No. 29/528,821, filed on Jun. 1, 2015, now Pat. No. Des. 757,594, which is a

continuation of application No. 29/498,996, filed on Aug. 11, 2014, now Pat. No. Des. 731,346.

(51) **LOC (11) CI.** **11-01**

(52) **U.S. CI.**
USPC **D11/3**

(58) **Field of Classification Search**
USPC D11/1-13, 93, 94; D10/30-32, 38, 40,
D10/68, 70, 98; D14/344; D3/201, 214,
D3/215

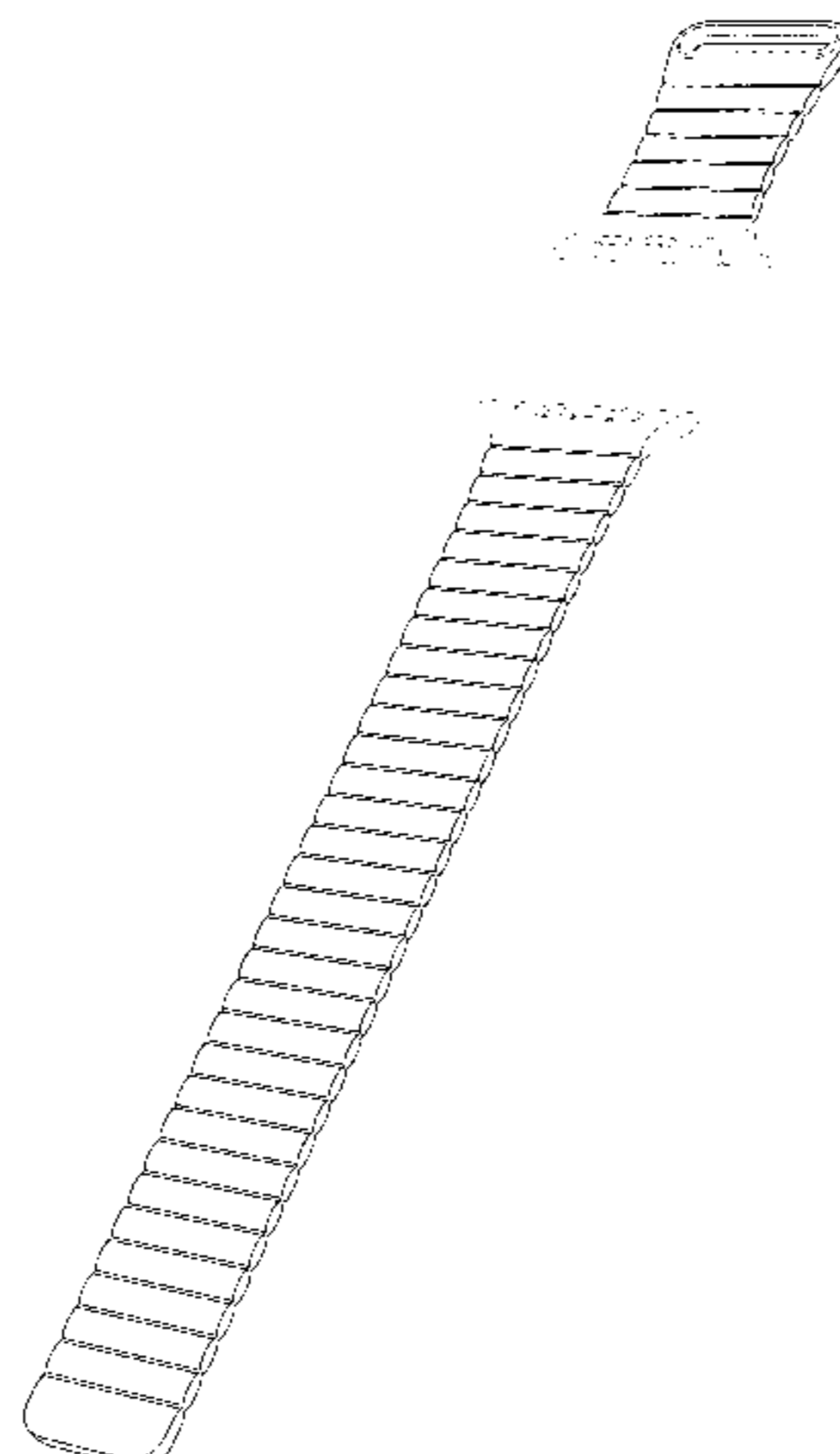
CPC A44C 11/00; A44C 11/002; A44C 11/005;
A44C 11/007; A44C 5/00; A44C 5/0053;
A44C 5/0061; A44C 5/0069; A44C
5/0076; A44C 5/02; A44C 5/022; A44C
5/025; A44C 5/10; A44C 5/102; A44C
5/105; A44C 5/107; A44C 13/00; G06F
1/163; G09F 3/005

See application file for complete search history.

(56) **References Cited**

U.S. PATENT DOCUMENTS

1,725,786 A	8/1929	Eklund	
1,738,407 A	12/1929	Tost	
1,764,440 A	6/1930	Gammell et al.	
1,786,943 A	12/1930	Gammell	
D152,491 S	1/1949	Osier	
2,467,204 A	4/1949	Greenberg	
3,030,686 A	4/1962	Burkhardt	
3,372,500 A	3/1968	Claude	
3,550,824 A	12/1970	Madeline	
3,640,065 A	2/1972	Lederrey et al.	
3,665,565 A	5/1972	Kruger	
3,675,284 A	7/1972	Rieth	
3,726,079 A *	4/1973	Feild	D01D 5/423 28/103
3,740,804 A	6/1973	Levinger	
3,803,834 A	4/1974	Reese	
3,965,670 A	6/1976	Ihringer	
D248,547 S	7/1978	Fernando	
D249,244 S	9/1978	Salter	
D250,634 S	12/1978	Porsche	
D254,845 S	4/1980	Young	
D256,568 S	8/1980	Young	
D256,569 S	8/1980	Young	
D256,570 S	8/1980	Young	
4,266,400 A	5/1981	Tabata	
D260,977 S	9/1981	Rimmler	
D268,332 S	3/1983	Weil et al.	



US D853,881 S

D269,254 S	6/1983	Kishimoto		D589,375 S	3/2009	Tang
4,405,676 A *	9/1983	Pohl	B44C 1/14	7,526,840 B2	5/2009	Pernu et al.
			359/580	D596,610 S	7/2009	Hou
D276,415 S	11/1984	Ecoffey		D610,476 S	2/2010	Daniel
D284,948 S	8/1986	Ogawa		D614,512 S	4/2010	Monachon
D284,950 S	8/1986	Lai		D616,417 S	5/2010	Liao
D286,515 S	11/1986	Lai		7,708,457 B2	5/2010	Girardin et al.
D287,471 S	12/1986	Sato et al.		D631,761 S	2/2011	Barbier
D287,705 S	1/1987	Malamoud		D631,762 S	2/2011	Vollet
D289,381 S	4/1987	Schneider		D631,763 S	2/2011	Vollet
D296,993 S	8/1988	Givings		D637,094 S	5/2011	Cobbett et al.
D297,417 S	8/1988	Asano et al.		D637,918 S	5/2011	Cobbett et al.
D299,718 S	2/1989	Steer et al.		7,946,103 B2	5/2011	So et al.
D305,422 S	1/1990	Steer et al.		D645,360 S	9/2011	Kiser et al.
D308,852 S *	6/1990	Wakamatsu	D11/25	D650,706 S	12/2011	Zanella et al.
D310,334 S	9/1990	Jahan		D666,503 S	9/2012	Bulgari
D321,665 S	11/1991	Crocco		D670,583 S	11/2012	Shaanan
D322,579 S *	12/1991	Schneider	D10/32	D672,667 S	12/2012	Mix
D323,994 S	2/1992	Tanikawa		D681,483 S	5/2013	Biegert et al.
D327,225 S	6/1992	Crocco		8,601,784 B2	12/2013	Kaltenrieder
D330,166 S *	10/1992	Park	D10/30	D699,701 S	2/2014	Kim
D330,871 S	11/1992	Cowan		D704,077 S	5/2014	Monachon
D331,020 S	11/1992	Ishii et al.		D708,534 S	7/2014	Martin
D333,626 S	3/1993	Chang		D724,469 S	3/2015	Akana et al.
D334,891 S	4/1993	Takashi		D724,556 S	3/2015	Choi et al.
D349,864 S	8/1994	Dunlap et al.		D726,675 S	4/2015	Wonsang et al.
5,363,351 A	11/1994	Carney		D727,197 S	4/2015	Akana et al.
D355,375 S	2/1995	Bandy, II		D727,198 S	4/2015	Akana et al.
5,386,933 A	2/1995	Greene et al.		D727,199 S	4/2015	Akana et al.
D356,974 S	4/1995	Morelli et al.		D727,787 S	4/2015	Akana et al.
D365,286 S	12/1995	Florian		D728,405 S	5/2015	Potts et al.
D381,585 S	7/1997	Gogniat		D728,409 S	5/2015	Bar-Am
5,657,645 A	8/1997	Abraham		D729,652 S	5/2015	Nuovo et al.
D390,492 S	2/1998	Riley		D730,210 S	5/2015	Song
D408,301 S	4/1999	Porsche et al.		D731,346 S	6/2015	Akana et al.
D411,466 S	6/1999	Russak		D732,416 S	6/2015	Akana et al.
D424,532 S	5/2000	Chida		D734,331 S	7/2015	Wu et al.
D424,952 S	5/2000	Porsche et al.		D735,191 S	7/2015	Song
6,101,842 A	8/2000	Delacretaz		D736,652 S	8/2015	Isaacs et al.
D432,446 S	10/2000	Santos		D737,156 S	8/2015	Akana et al.
D439,172 S	3/2001	Brzezinski		D737,157 S	8/2015	Akana et al.
D439,861 S *	4/2001	Dumas	D11/3	D737,158 S	8/2015	Akana et al.
D455,093 S	4/2002	Fitzgerald		D737,159 S	8/2015	Akana et al.
D459,674 S	7/2002	Razza		D738,372 S	9/2015	Song
D473,818 S	4/2003	Salvisberg		D739,780 S	9/2015	Akana et al.
6,655,831 B1	12/2003	Ruffieux		D744,356 S	12/2015	Akana et al.
D488,392 S	4/2004	Tschumi		D745,421 S	12/2015	Akana et al.
D494,098 S	8/2004	Cohen		D746,707 S	1/2016	Akana et al.
D494,873 S	8/2004	Paul		D747,997 S	1/2016	Akana et al.
6,782,690 B2	8/2004	Kwan		D748,008 S	1/2016	Akana et al.
D496,589 S	9/2004	Perrenoud		D748,009 S	1/2016	Akana et al.
6,970,157 B2	11/2005	Siddeeq		D748,010 S	1/2016	Akana et al.
D513,195 S	12/2005	Gruosi		D748,527 S	2/2016	Akana et al.
7,004,469 B2	2/2006	Von Goeben		D749,009 S	2/2016	Akana et al.
7,013,631 B2	3/2006	Carrola		D749,460 S	2/2016	Akana et al.
D528,439 S	9/2006	Burton		D751,070 S	3/2016	Akana et al.
D528,928 S	9/2006	Burton		D756,357 S	5/2016	Akana et al.
7,106,197 B2	9/2006	Gaiotto et al.		D756,823 S	5/2016	Akana et al.
7,107,790 B2	9/2006	Frank		D759,725 S	6/2016	Akana et al.
D535,205 S	1/2007	Frederick et al.		D761,793 S	7/2016	Akana et al.
D536,265 S	2/2007	Reynoso		D764,340 S	8/2016	Akana et al.
D538,687 S	3/2007	Komulainen		D771,035 S	11/2016	Akana et al.
D545,910 S	7/2007	Peraldi et al.		D771,036 S	11/2016	Akana et al.
D549,602 S	8/2007	Oberrieder et al.		D782,335 S	3/2017	White et al.
D550,105 S	9/2007	Oberrieder et al.		D784,326 S	4/2017	Akana
D556,330 S	11/2007	Auerbach et al.		D793,271 S *	8/2017	Cerrato
D558,227 S	12/2007	Cho et al.		D813,705 S	3/2018	Ferguson et al.
D560,520 S	1/2008	Oberrieder et al.		D820,140 S	6/2018	Register et al.
D569,282 S	5/2008	Daniel		2005/0004436 A1	1/2005	Nissila et al.
D572,266 S	7/2008	Anderson et al.		2005/0210857 A1	9/2005	Carrola
D573,905 S	7/2008	Poirier		2007/0070823 A1	3/2007	Sima
D574,735 S	8/2008	Landman et al.		2010/0061191 A1	3/2010	Chen
D575,656 S	8/2008	Scholpp		2011/0197400 A1	8/2011	Chevrolet
D578,922 S	10/2008	Hoshino		2012/0041278 A1	2/2012	Sadhu
D581,811 S	12/2008	Messmer et al.		2013/0261405 A1	10/2013	Lee et al.
D583,682 S	12/2008	Blank		2014/0096345 A1	4/2014	Tschumi
D584,170 S	1/2009	Morrison		2014/0098649 A1	4/2014	Tschumi
D586,823 S	2/2009	Anderson et al.				
D588,472 S	3/2009	Messmer et al.				

FOREIGN PATENT DOCUMENTS

CN	2613171	Y	4/2004
CN	303709432	S	6/2016
DE	10229050	C1	6/2003
DE	10311560	A1	9/2004
EP	1098231	A1	5/2001
EP	2636328	A1	9/2013
ES	001359301-0002		6/2013
FR	906187-001		2/1991
GB	618917	A	3/1949
GB	1043401	A	9/1966
GB	1043402	A	9/1966
GB	1043406	A	9/1966
GB	1050564	A	12/1966
GB	2047514	A	12/1980
GB	2049841	B	5/1983
GB	2033807		3/1994
GB	2082277		6/1999
HK	0501949.8		12/2005
HK	1001605.7		12/2010
JP	D1130391		1/2002
JP	D1194393		1/2004
JP	D1329491		5/2008
JP	D1337213		8/2008
JP	D1348945		1/2009
JP	D1350052		2/2009
JP	D1465158		3/2013
KR	30-0476859		1/2008
KR	30-0476860		1/2008
WO	WO-DM/024020-001		11/1992
WO	WO-D032769-001		6/1995
WO	WO-DM/041969-001		1/1998
WO	WO-DM052310		6/2000
WO	WO-DM/060838-003		9/2002
WO	WO-DM/066491-004		3/2005
WO	WO-DM072215		9/2009
WO	WO-DM/077452-004		6/2011
WO	WO-2013182397	A1	12/2013
WO	WO-2014135709	A2	9/2014
WO	WO-D048800-016		1/2019

OTHER PUBLICATIONS

Alvarez, Edgar, "Basis Peak to get its smartwatch-like features in December," engadget.com, < <http://www.engadget.com/2014/11/20/basis-peak-new-features/>>, dated Nov. 20, 2014, accessed Dec. 15, 2014.

CBWatches.com, "Braun Men's Prestige Digital Watch BN0106BKBTG With Black Plated Stainless Steel Case and Bracelet," < <http://cbwatches.com/shop/braun-mens-prestige-digital-watch-bn0106kbtg-with-black-plated-stainless-steel-case-and-bracelet/>>, accessed Dec. 17, 2014.

Cool Material, "Braun Square Digital Watch," < <http://web.archive.org/web/20111125033014/http://coolmaterial.com/style/braun-square-digital-watch/>>, dated Nov. 25, 2011, accessed Dec. 18, 2014.

Emily, "Nixon—The Newton Digital," < <http://www.freshnessmag.com/2009/09/08/nixon-the-newton-digital/>>, freshnessmag.com, dated Sep. 8, 2009, accessed Oct. 9, 2014.

Fitbit, "Fitbit Surge™ Fitness Super Watch" < <https://www.fitbit.com/surge>>, accessed Dec. 15, 2014.

geekbuying.com, "Makibes unisex red led digital wrist watch with square case silicone watchband—white," < <http://www.geekbuying.com/item/Unisex-Red-LED-Digital-Wrist-Watch-with-Square-Case-Silicone-Watchband---White-326443.html>>, accessed Oct. 9, 2014.

Haedges, "1 Set Silver End Cap Clasp—Findings Large Toggle Clasp End Caps Buckle Connector with Five Inside Loops for Jewelry Making 26mm," < <http://www.etsy.com/listing/101269004/1-set-silver-end-cap-clasp-findings?ref=market>>, Listed on Aug. 29, 2014, accessed Oct. 9, 2014.

Hodinkee.com, "Apple iPod Nano Now Available With Mickey Mouse Dial, Also Cheesy, Mechanically Inaccurate Open-Worked Dial," < <http://web.archive.org/web/20111006043916/http://www.hodinkee.com/blog/2011/10/5/apple-ipod-nano-now-available-with-mickey-mouse-dial-also-ch.html>>, dated Oct. 6, 2011, accessed Dec. 18, 2014.

Hodinke.com, "Apple iPod Nano Now Available With Mickey Mouse Dial, Also Cheesy, Mechanically Inaccurate Open-Worked Dial," < <http://web.archive.org/web/20111006043916/http://www.hodinkee.com/blog/2011/10/5/apple-ipod-nano-now-available-with-mickey-mouse-dial-also-ch.html>>, dated Oct. 6, 2011, accessed Dec. 18, 2014.

Homego, "M6 Silver Smart Watch Cell Phone 1.54 inch Bluetooth 3.0 Dialer Outdoor Sports Pedometer," amazon.com, < <http://www.amazon.com/Silver-Bluetooth-Dialer-Outdoor-Pedometer/dp/B00MQTBGK6>>, accessed Dec. 15, 2014.

Ikepod, "Original Ikepod Watch With GMT—Marc Newson Design," Watchbox.be, < <http://www.watchbox.be/prod/Others-Watches/Marc%20Newson%20Design/item7165.htm#.VJLm2fAo5D8>>, accessed Dec. 17, 2014.

JPO's Document No. HA23009178, Real Design No. 3, vol. 7, p. 11, Jan. 16, 2012, Ei Publishing Co., Ltd. (Japan).

JPO's Document No. HB26003714, Global Sources Gifts & Premiums No. 6, vol. 8, p. 17 Aug. 7, 2014, Trade Media Holdings Ltd. (Hong Kong).

LG Life's Good, "LG G Watch (W100)," < <http://www.lg.com/us/smart-watches/lg-w100-g-watch>>, accessed Dec. 18, 2014.

Metal Watch Band Silver Tone Stainless Steel Simple Narrow Expansion Band with Expandable Ends 8-11MM, < <http://www.esslinger.com/11mm-silver-narrow-expansion-replacement-watch-band-for-women.aspx>>, accessed Dec. 5, 2014.

Metawatch, "Frame—Black (MW3005)," < <http://meta.watch/collections/smartwatch-all/products/frame-ss-black-leather>>, accessed Dec. 15, 2014.

Omate, "The TrueSmart™ is the world's first standalone smartwatch 2.0 running on top of Android and OUI 2.0," < <http://www.omate.com/product.html>>, accessed Dec. 15, 2014.

[Online] <http://cnet4.cbsistatic.com/hub/i/r/2014/09/09/1d101da2-7abd-40aa-b0c9-94e4f9b27b95/thumbnail/770x433/c2705e97ac76cc74f2c19abc83929de9/apple-event-apple-watch-5446.jpg>. Retrieved on Feb. 17, 2015.

[Online] http://jeffsayre.com/wp-content/uploads/2014/09/Apple_Watch_Contacts1.jpg. Retrieved Aug. 17, 2015.

[Online] <http://i-cdn.phonearena.com/images/articles/185328-image/Revised-Reserve-Strap-charging-band.jpg>. Retrieved Aug. 17, 2015.

[Online] <http://rack.1.mshcdn.com/media/ZgkyMDE0LzA5LzA5LzRkL0JhbmQ2NDNB4MzU5LmQ1NmJlMpwZwpwCXRodWliCTEyMDB4OTYwMD4/eb6b9df6/f2a/Band-640x359.jpg>. Retrieved Aug. 13, 2015.

[Online] <http://tock.cdn.assets.watchaware.com/wp-content/uploads/2015/03/aluminum-and-leather.jpg>. Retrieved Aug. 14, 2015.

Pebble, "Pebble Smartwatch," getpebble.com, < <https://getpebble.com/checkout>>, accessed Dec. 15, 2014.

Rousseau, C.L., "How to get the Apple Watch Leather Loop look for less," [retrieved on Dec. 28, 2018]. Retrieved from the Internet: URL: <https://www.imore.com/how-get-apple-watch-leather-loop-look-less>.

Samsung, "Samsung Gear™ 2 Charcoal Black SM-R3800VSAXAR," < <http://www.samsung.com/us/mobile/wearable-tech/SM-R3800VSAXAR>>, accessed Dec. 15, 2014.

Samsung, "Samsung Gear S™ (Sprint), Black SM-R750PZKASPR," < <http://www.samsung.com/us/mobile/wearable-tech/SM-R750PZKASPR>>, accessed Dec. 15, 2014.

Samsung, "Galaxy Gear™ Live, Black SM-R3820ZKAXAR," < <http://www.samsung.com/us/mobile/wearable-tech/SM-R3820ZKAXAR>>, accessed Dec. 15, 2014.

Sony, "SmartWatch 3 SWR50," < <http://www.sonymobile.com/us/products/smartwear/smartwatch-3-swr50/>>, accessed Dec. 15, 2014.

Sony, "SmartWatch," < <http://www.sonymobile.com/us/products/accessories/smartwatch/>>, accessed Dec. 15, 2014.

Stables, James, "Clevercare smartwatch aims to help Alzheimer's suffers and carers: Revamped Sony SmartWatch 2 designed for users that need care," Wearable News, < <http://www.wearable.com/wearable-tech/clevercare-smartwatch-aims-to-help-alzheimers-suffers-and-carers-585>>, dated Dec. 15, 2014.

Ted Baker, "Ted Baker Men's TE1054 Time Flies Contemporary Square Digital Case Watch," < <http://www.amazon.com/Ted-Baker-TE1054-Contemporary-Digital/dp/B0045CRTYO%3FSubscriptionId%3DAKIAJ3U4YRIBWCGGKZ2A%26tag%3Dfrases365-20%26linkCode%3Dsp1%26camp%3D2025%26creative%3D165953%26creativeASIN%3DB0045CRTYO>>, accessed Oct. 9, 2014.

Velazco, Chris, "ASUS ZenWatch review: subtle and stylish, with a few shortcomings," Engadget.com, < <http://www.engadget.com/2014/12/11/asus-zenwatch-review/>>, dated Dec. 11, 2014, accessed Dec. 15, 2014.

Watches Infoniac.com, "Hermes Carre H Watch—Extremely Contemporary Design," < <http://watches.infoniac.com/carre-h-watch-hermes.html>>, dated Aug. 13, 2010, accessed Dec. 18, 2014.

Watchismo, "Braun BN0042 Black Date Leather," < <http://web.archive.org/web/20130815073830/http://www.watchismo.com/braun-bn0042bkbk.aspx>>, dated Aug. 15, 2013, accessed Dec. 18, 2014.

* cited by examiner

Primary Examiner — Zenia I Bennett

(74) *Attorney, Agent, or Firm* — Sterne, Kessler,
Goldstein & Fox P.L.L.C.

(57) **CLAIM**

The ornamental design for a band, as shown and described.

DESCRIPTION

FIG. 1 is a bottom front perspective view of a band showing the claimed design;

FIG. 2 is a bottom rear perspective view thereof;

FIG. 3 is a front view thereof;

FIG. 4 is a rear view thereof;

FIG. 5 is a right side view thereof;

FIG. 6 is a left side view thereof;

FIG. 7 is a top view thereof;

FIG. 8 is a bottom view thereof; and,

FIG. 9 is a perspective view thereof showing the band in an environment in which it may be used.

The broken lines in the figures show portions of the band and environment that form no part of the claimed design.

1 Claim, 6 Drawing Sheets

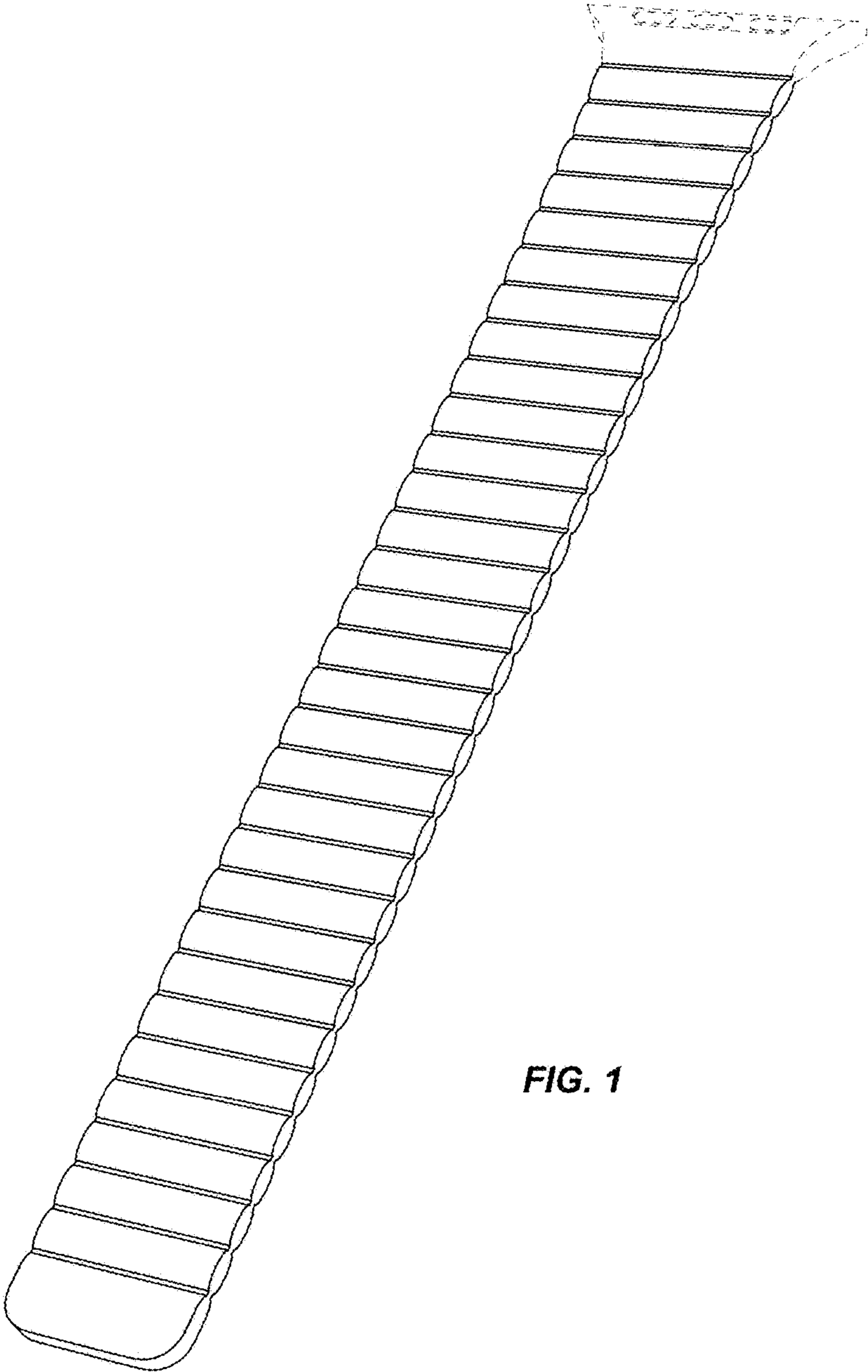
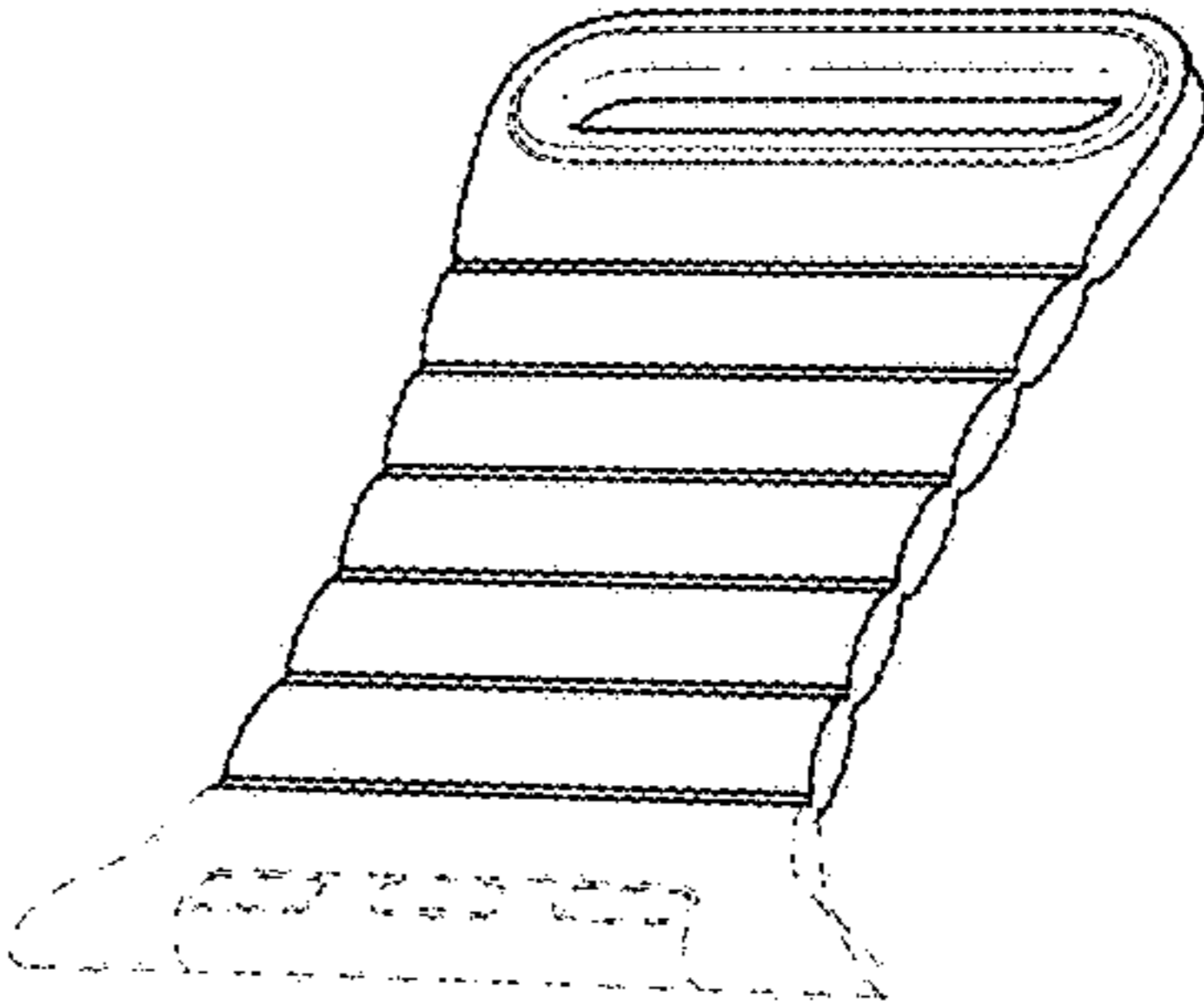


FIG. 1

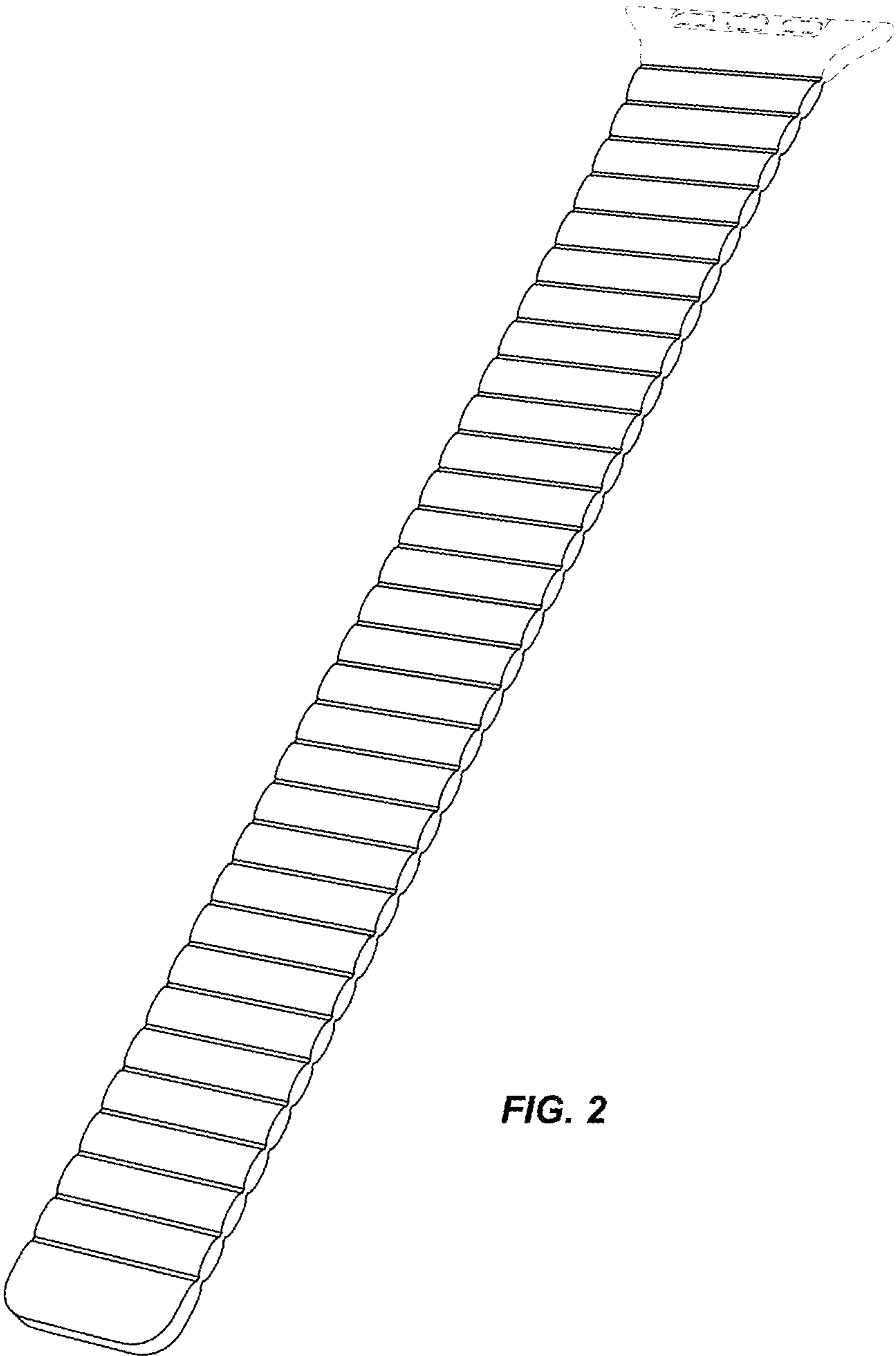
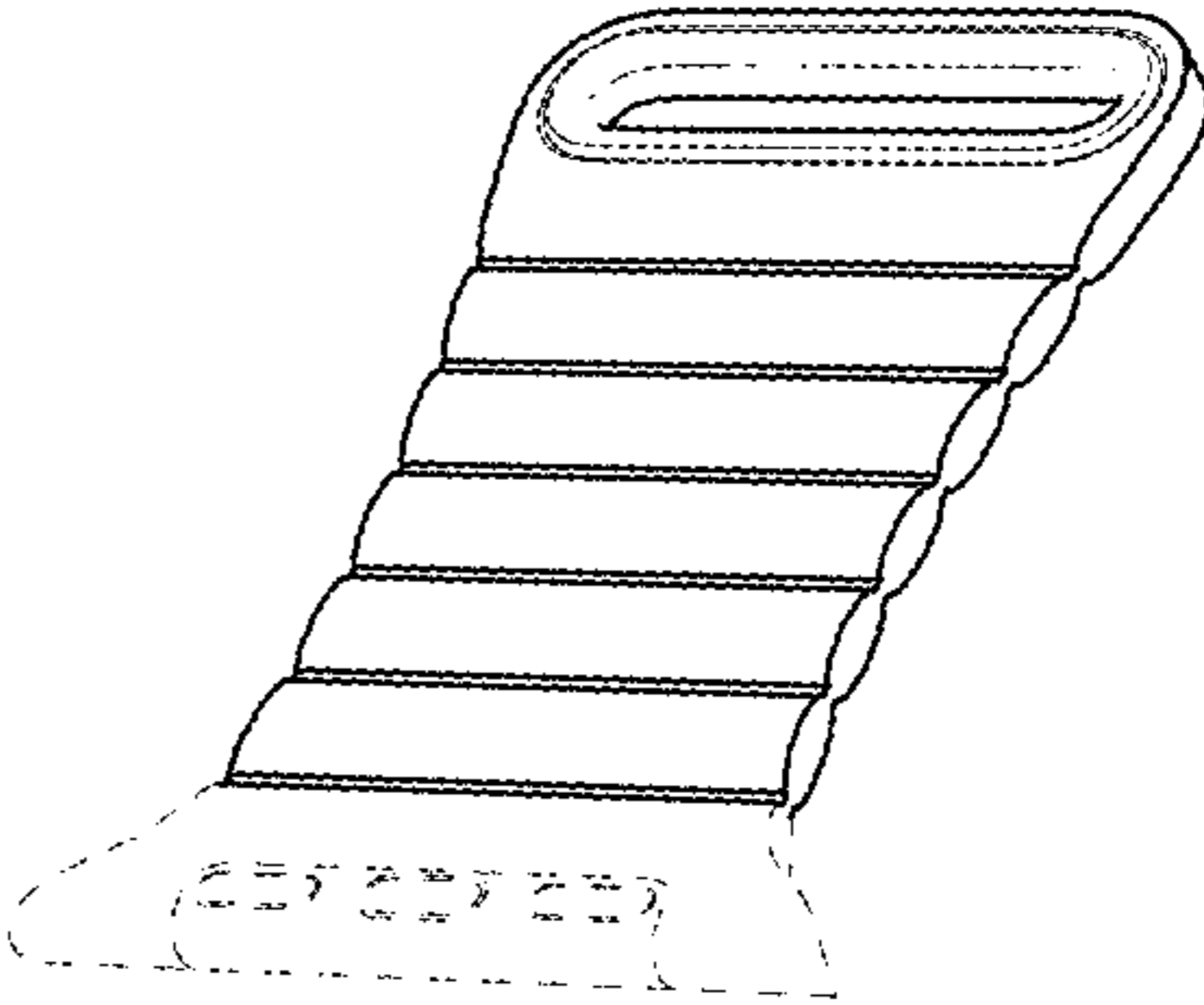


FIG. 2

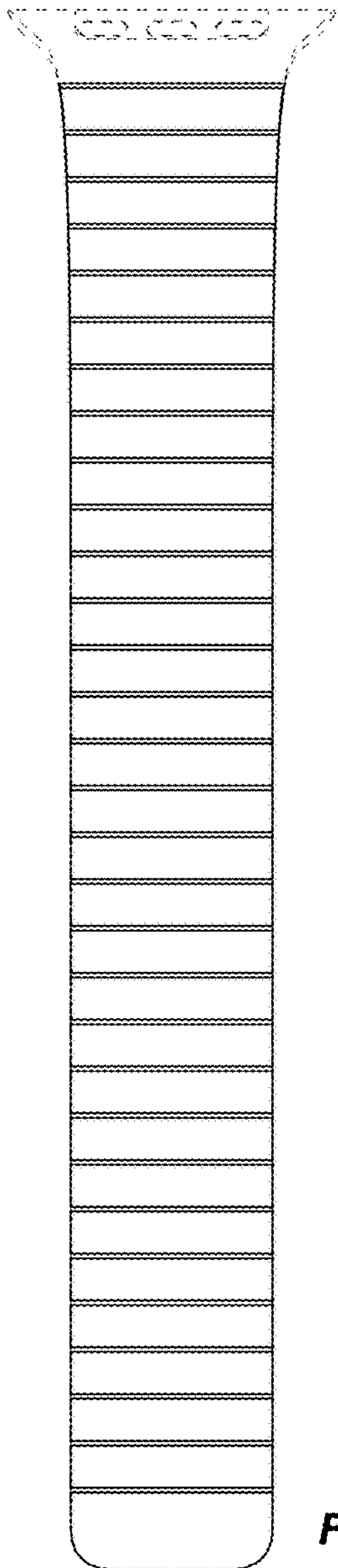
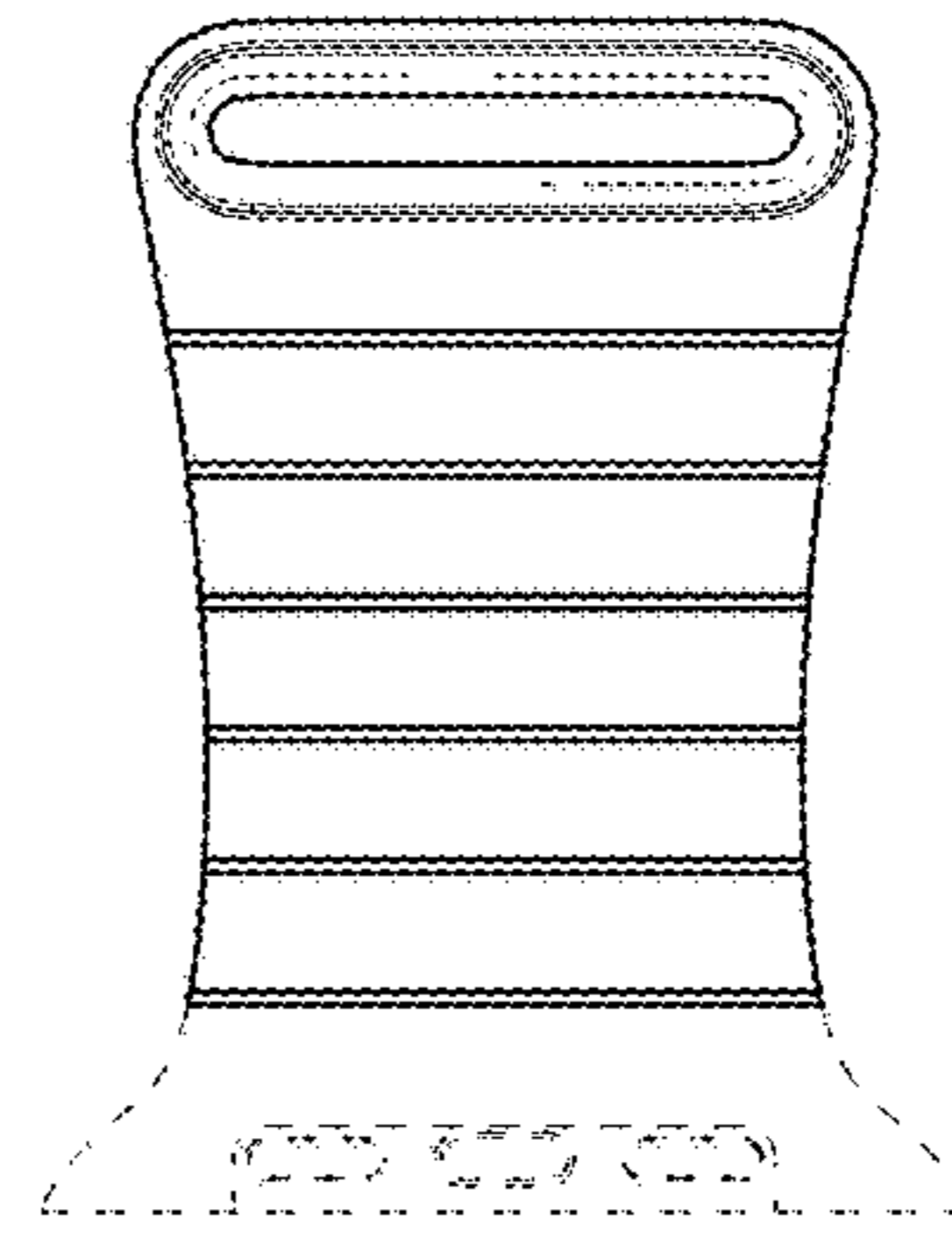
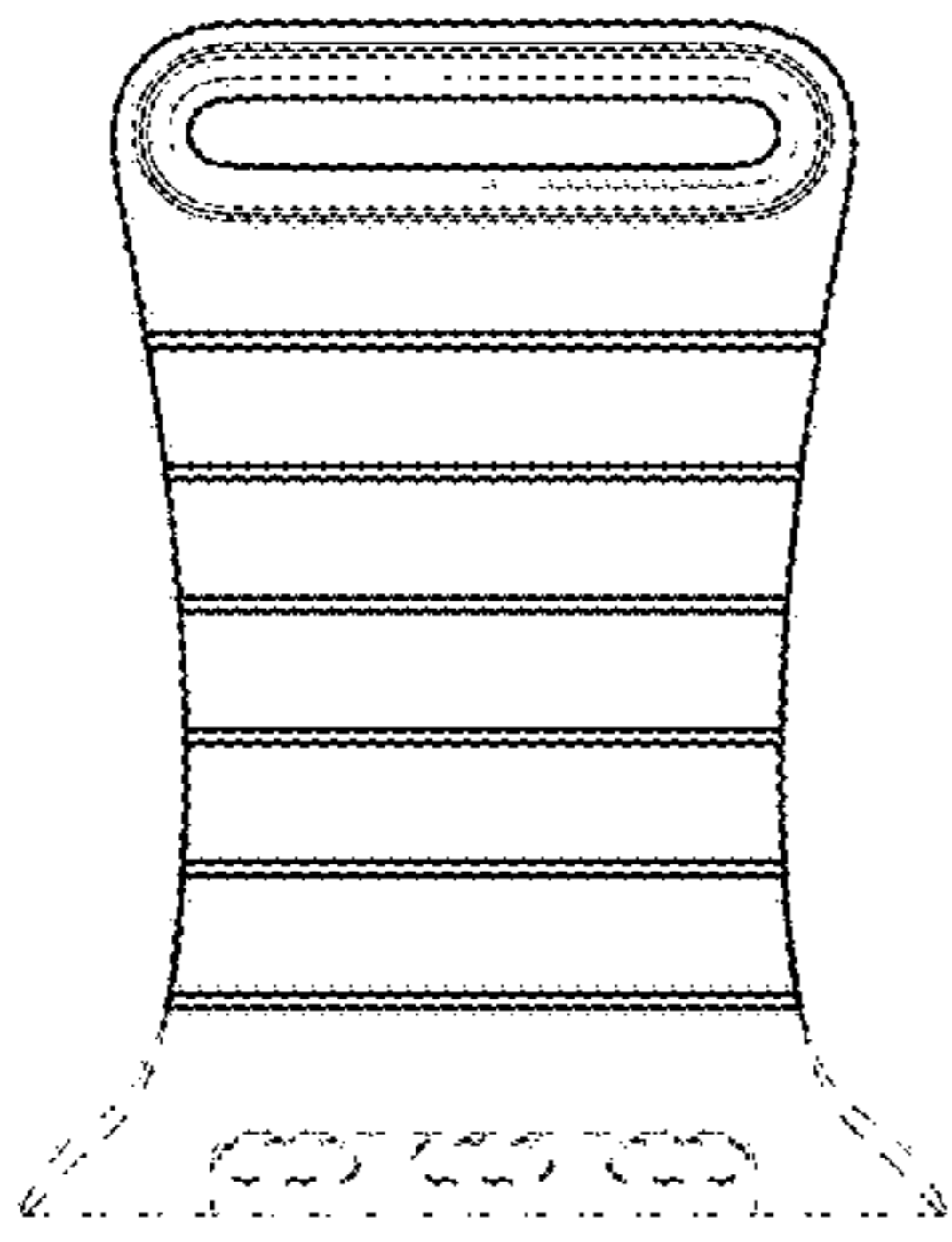


FIG. 3

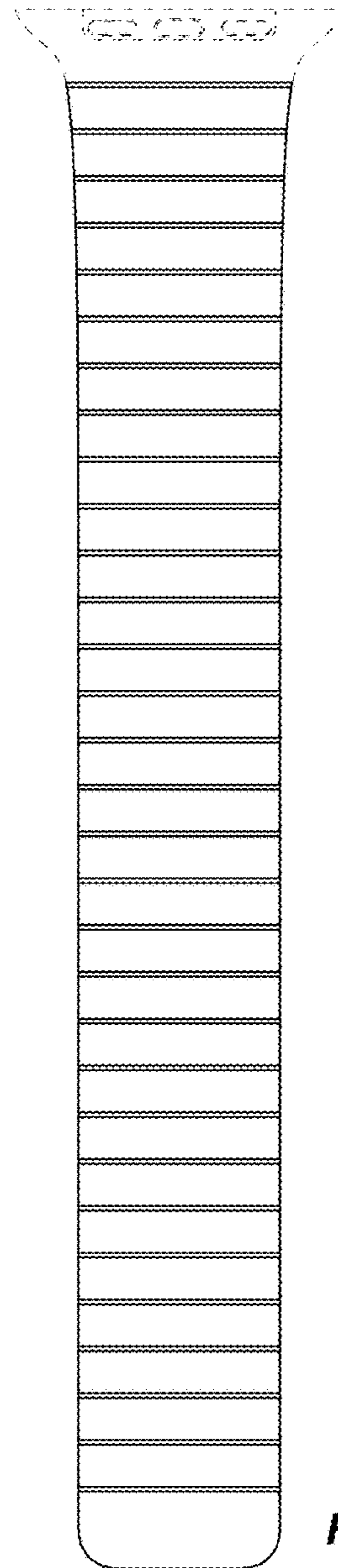


FIG. 4



FIG. 5



FIG. 6

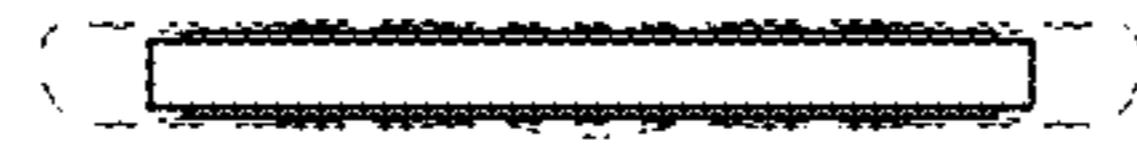


FIG. 7

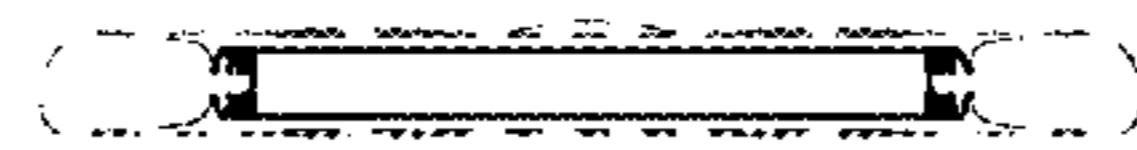


FIG. 8

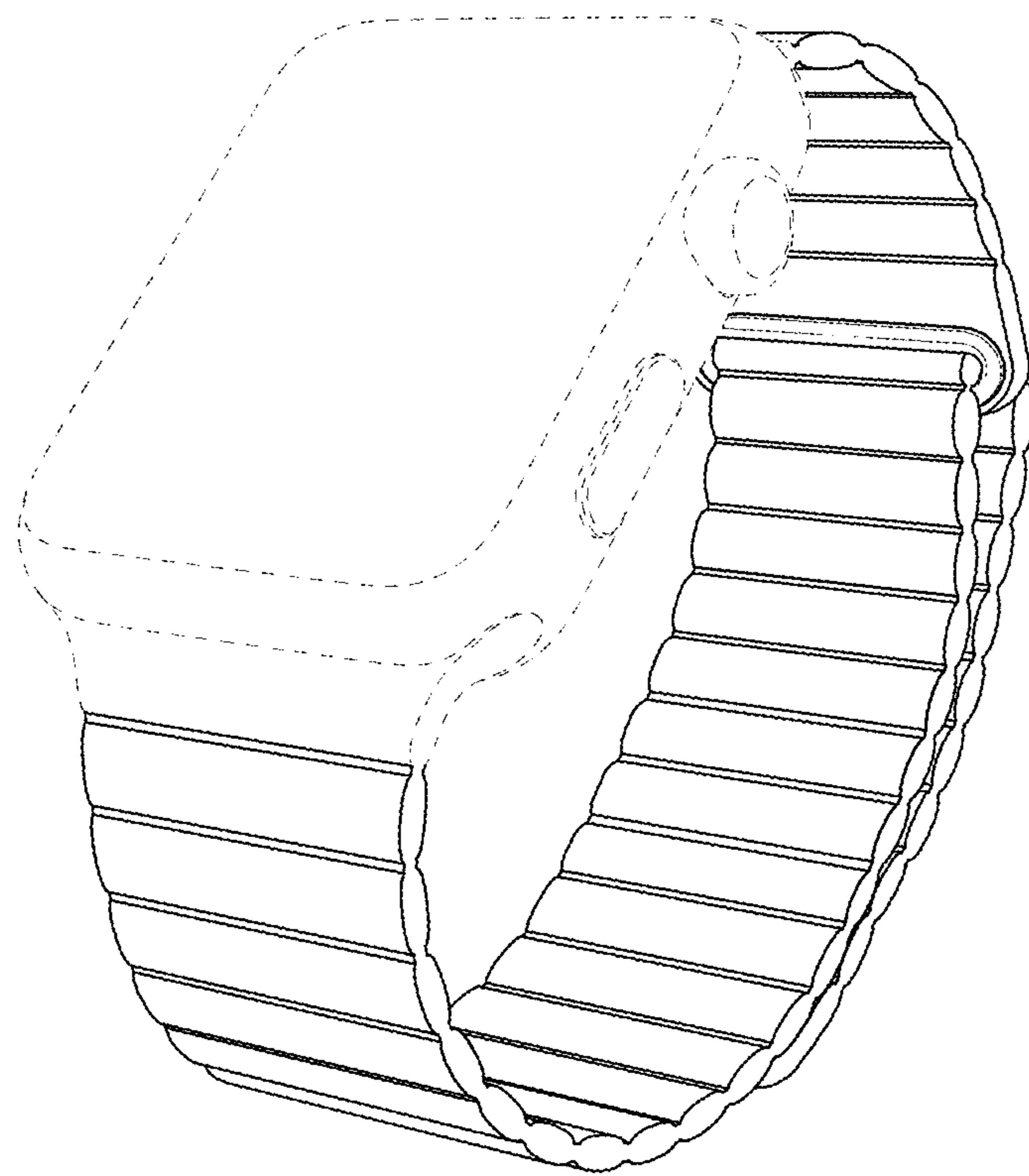


FIG. 9