



US00D853880S

(12) **United States Design Patent**
Williams et al.

(10) **Patent No.:** **US D853,880 S**
(45) **Date of Patent:** **** Jul. 16, 2019**

(54) **RING**

(71) Applicant: **THE TOPPS COMPANY INC.**, New York, NY (US)

(72) Inventors: **John Williams**, Carmel, NY (US); **Clay Luraschi**, Montclair, NJ (US); **Julia Bontempo**, Highlands, NJ (US); **Karen Harel**, Brooklyn, NY (US)

(73) Assignee: **THE TOPPS COMPANY, INC.**, New York, NY (US)

(**) Term: **15 Years**

(21) Appl. No.: **29/633,956**

(22) Filed: **Jan. 17, 2018**

(51) **LOC (11) Cl.** **11-01**

(52) **U.S. Cl.**
USPC **D11/2; D11/35**

(58) **Field of Classification Search**
USPC D1/102-105; D3/215; D11/2, 3, 4, 16, D11/17, 18, 20-31, 33, 34, 35, 37, 38, D11/184; D21/420

(Continued)

(56) **References Cited**

U.S. PATENT DOCUMENTS

1,718,113 A * 6/1929 Cohen A44C 9/0069 63/15
D142,234 S * 8/1945 Sudbrink D11/26
(Continued)

OTHER PUBLICATIONS

Ring Pop Puppies (available online) Retrieved from the internet Dec. 27, 2018 from URL: <https://www.topps.com/ringpoppuppies>.*

Primary Examiner — Kevin K Rudzinski

Assistant Examiner — Richard Kearney

(74) *Attorney, Agent, or Firm* — Dentons US LLP

(57) **CLAIM**

We claim the ornamental design for a ring, as shown and described.

DESCRIPTION

FIG. 1 is a front left perspective view of a ring, in accordance with an embodiment;
FIG. 2 is a rear right perspective view of the ring of FIG. 1;
FIG. 3 is a front view of the ring of FIG. 1;
FIG. 4 is a rear view of the ring of FIG. 1;
FIG. 5 is a right side view of the ring of FIG. 1;
FIG. 6 is a left side view of the ring of FIG. 1;
FIG. 7 is a top view of the ring of FIG. 1;
FIG. 8 is a bottom view of the ring of FIG. 1;
FIG. 9 is a front left perspective view of the ring of FIG. 1, with a lid thereof in an open position;
FIG. 10 is a rear right perspective view of the ring of FIG. 1, with the lid thereof in the open position;
FIG. 11 is a front view of the ring of FIG. 1, with the lid thereof in the open position;
FIG. 12 is a rear view of the ring of FIG. 1, with the lid thereof in the open position;
FIG. 13 is a left side view of the ring of FIG. 1, with the lid thereof in the open position;
FIG. 14 is a right side view of the ring of FIG. 1, with the lid thereof in the open position;
FIG. 15 is a top view of the ring of FIG. 1, with the lid thereof in the open position;
FIG. 16 is a bottom view of the ring of FIG. 1, with the lid thereof in the open position;
FIG. 17 is a front left perspective view of a ring according to another embodiment, with a lid thereof in an open position and with a figurine therein;
FIG. 18 is a rear right perspective view of the ring according FIG. 17, with the lid thereof in the open position and with the figurine therein;
FIG. 19 is a front view of the ring according FIG. 17, with the lid thereof in the open position and with the figurine therein;
FIG. 20 is a rear view of the ring according FIG. 17, with the lid thereof in the open position and with the figurine therein;
FIG. 21 is a left side view of the ring of FIG. 17, with the lid thereof in the open position and with the figurine therein;

(Continued)

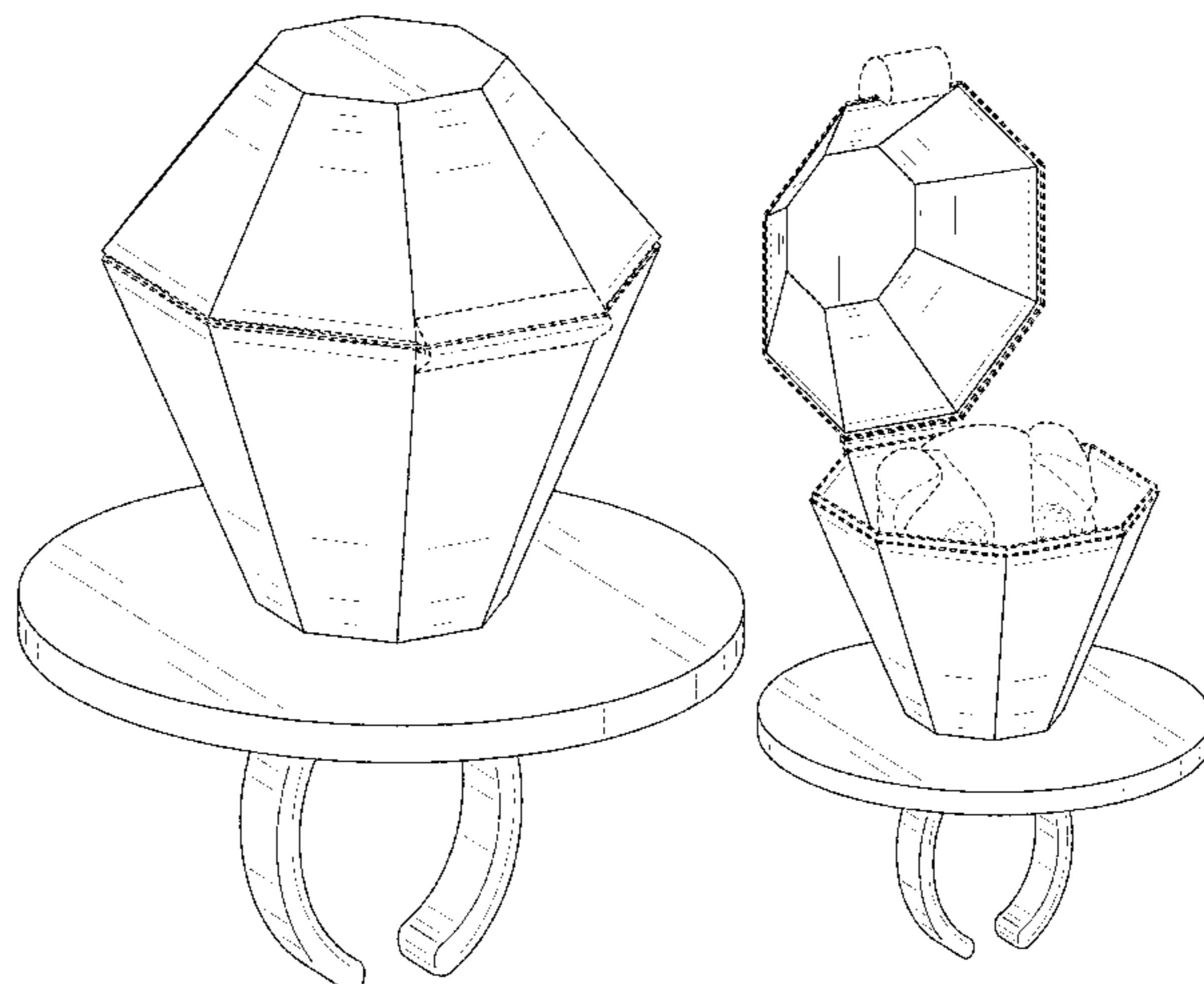


FIG. 22 is a right side view of the ring of FIG. 17, with the lid thereof in the open position and with the figurine therein; FIG. 23 is a top view of the ring of FIG. 17, with the lid thereof in the open position and with the figurine therein; and, FIG. 24 is a bottom view of the ring of FIG. 17, with the lid thereof in the open position.

The ornamental design which is claimed is shown in solid lines in the drawings. The dot-dash-dot broken lines shown in the drawings illustrate the bounds of the claim and form no part of the claimed design. The equal length, evenly spaced broken lines illustrate portions of the ring that form no part of the claimed design.

1 Claim, 24 Drawing Sheets

(58) **Field of Classification Search**

CPC A44C 5/003; A44C 9/0046; A44C 9/0061;
A44C 9/0069

See application file for complete search history.

(56)

References Cited

U.S. PATENT DOCUMENTS

D242,645	S	12/1976	Shorin et al.	
D242,646	S	12/1976	Shorin et al.	
4,936,699	A *	6/1990	Yoshida	A44C 5/00 401/48
D427,379	S *	6/2000	Thorpe	D11/2
D446,626	S *	8/2001	Huang	D1/102
D625,216	S *	10/2010	Morgan	D11/26
D705,691	S *	5/2014	Mezhibovsky	D11/26
D751,450	S *	3/2016	McAlarney	D11/36
10,029,169	B2 *	7/2018	Jimenez	A63D 15/16
D830,876	S *	10/2018	Williams	D11/4
2008/0034791	A1 *	2/2008	Arcadi	A44C 9/0061 63/15
2012/0103015	A1 *	5/2012	Graham	A44C 9/0061 63/15

* cited by examiner

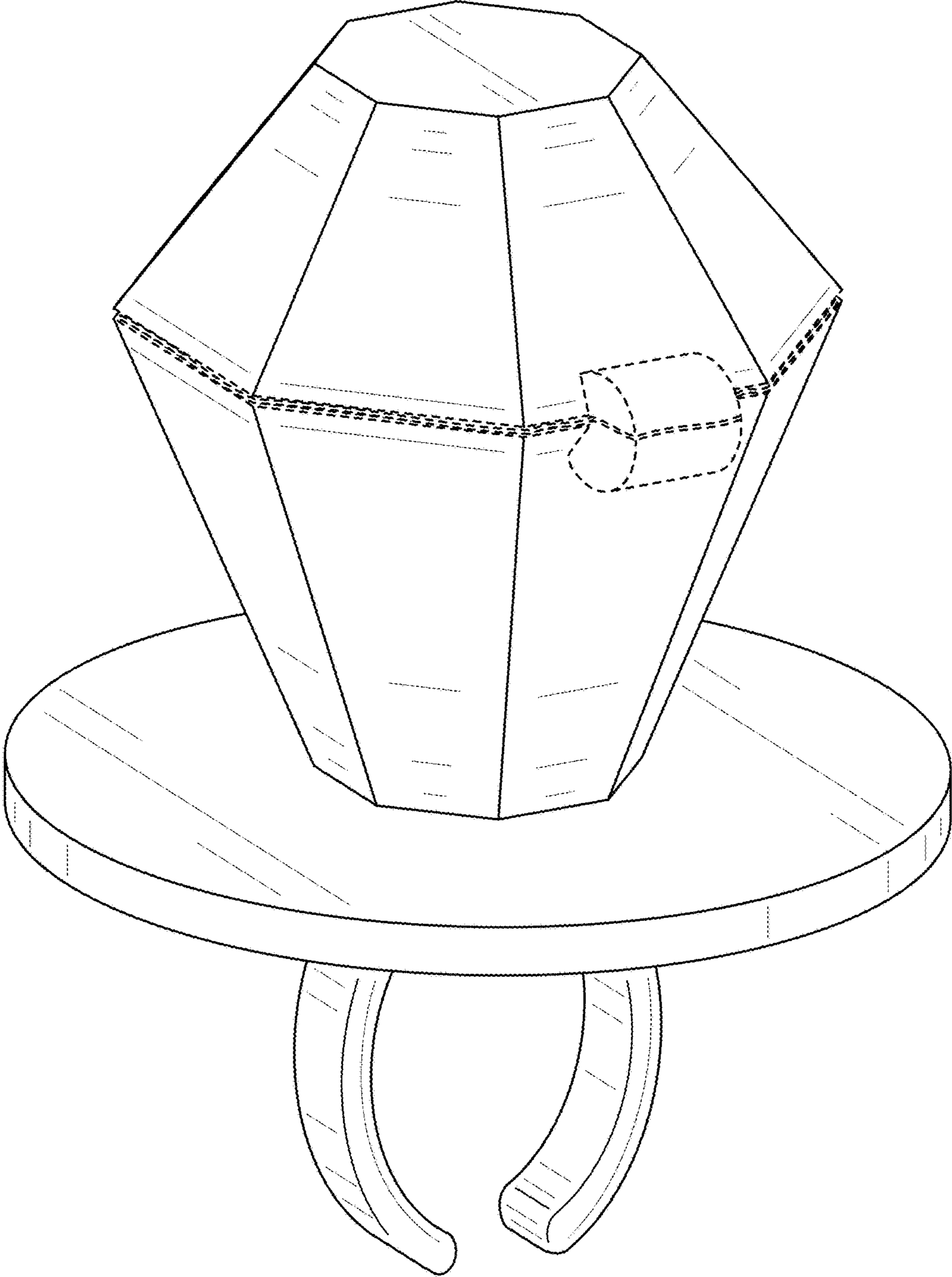


FIG. 1

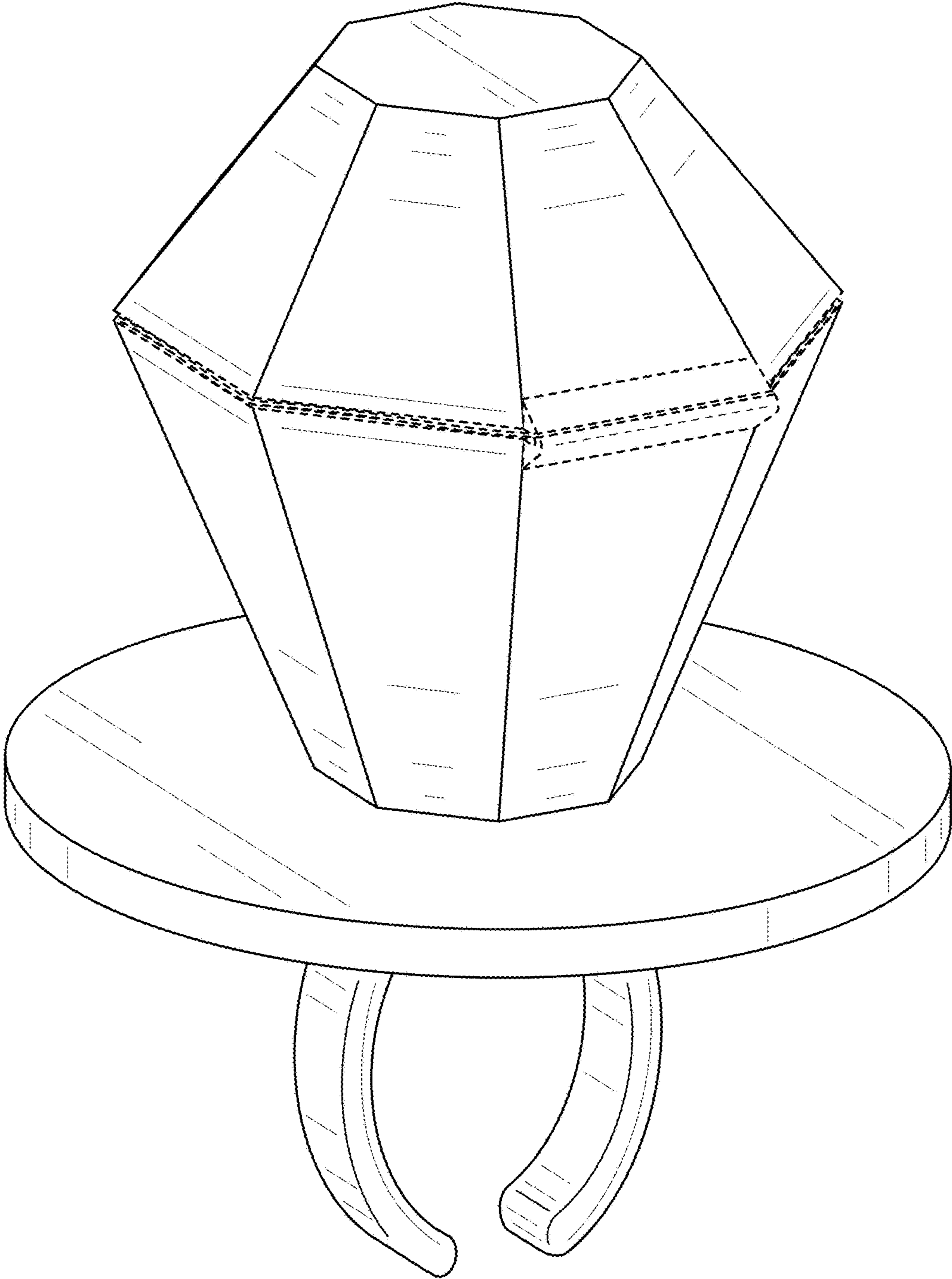


FIG. 2

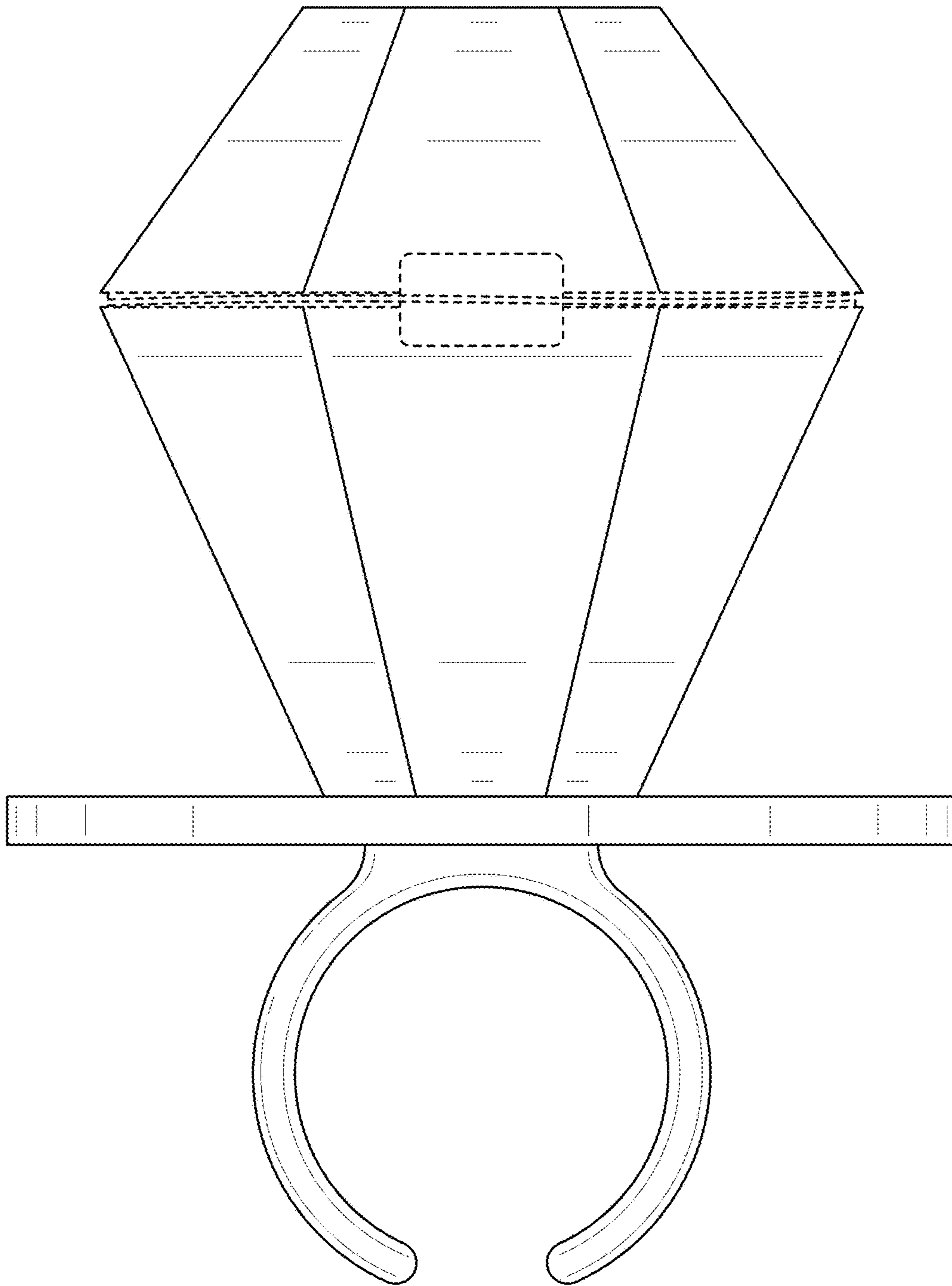


FIG. 3

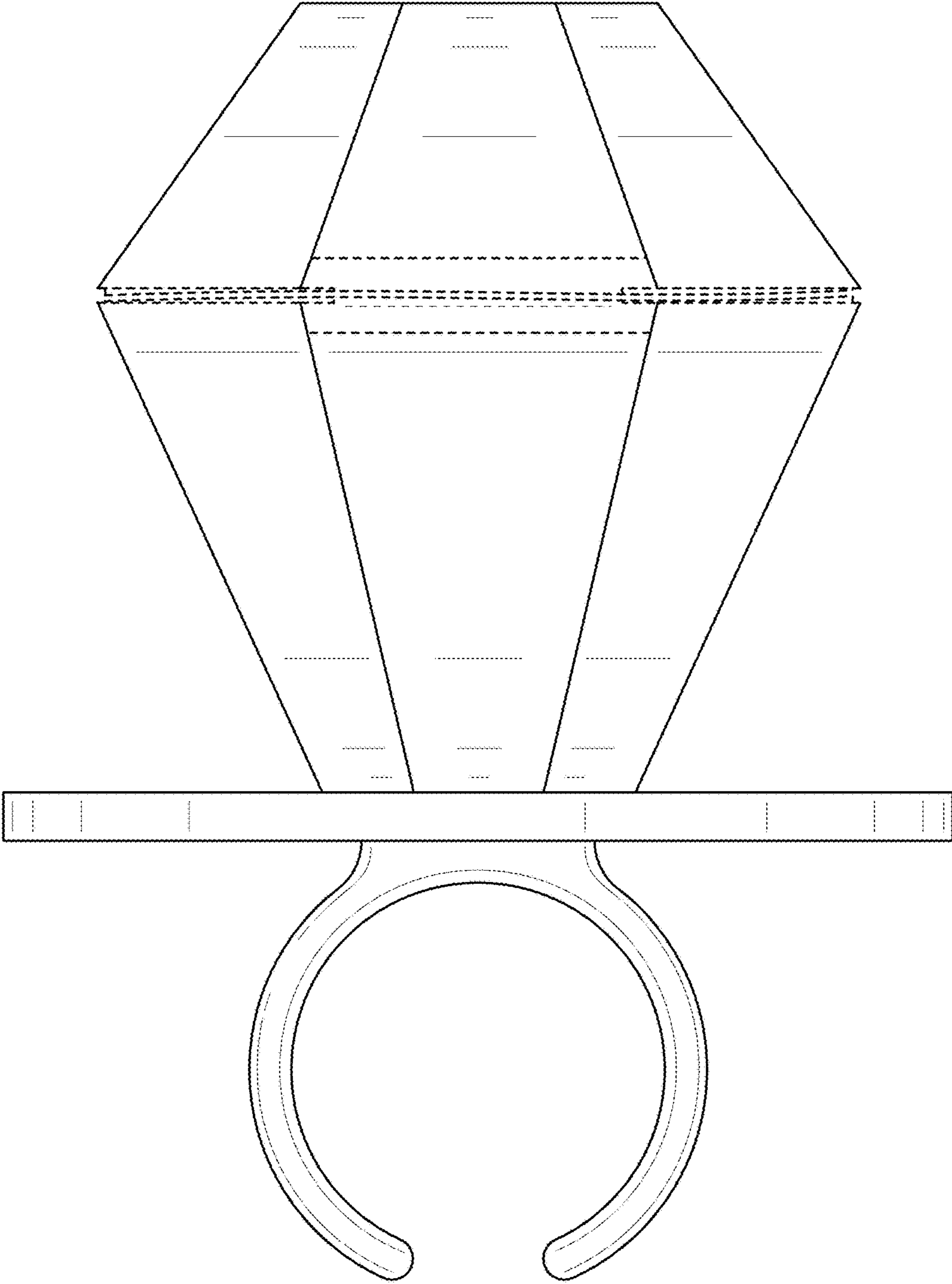


FIG. 4

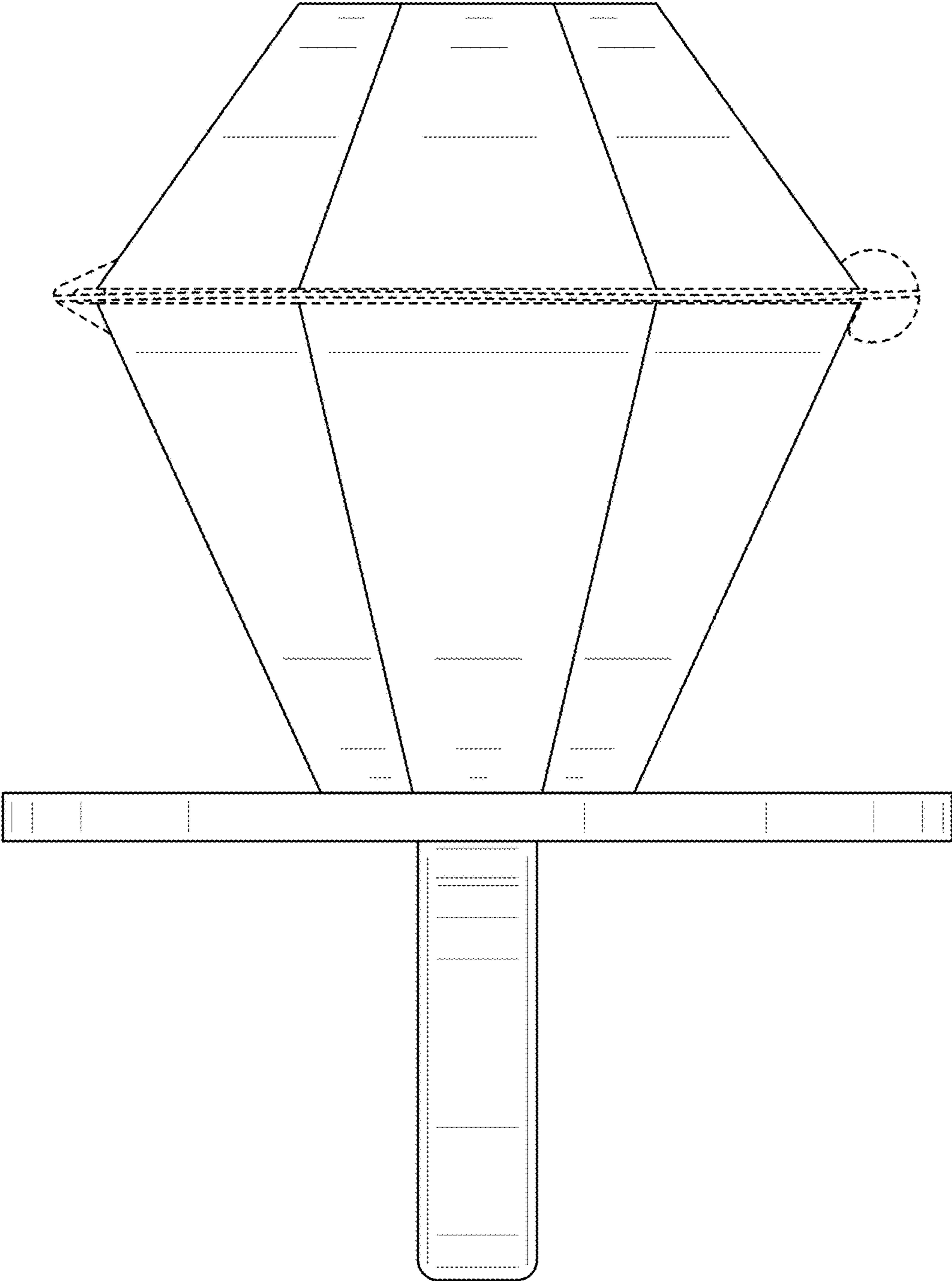


FIG. 5

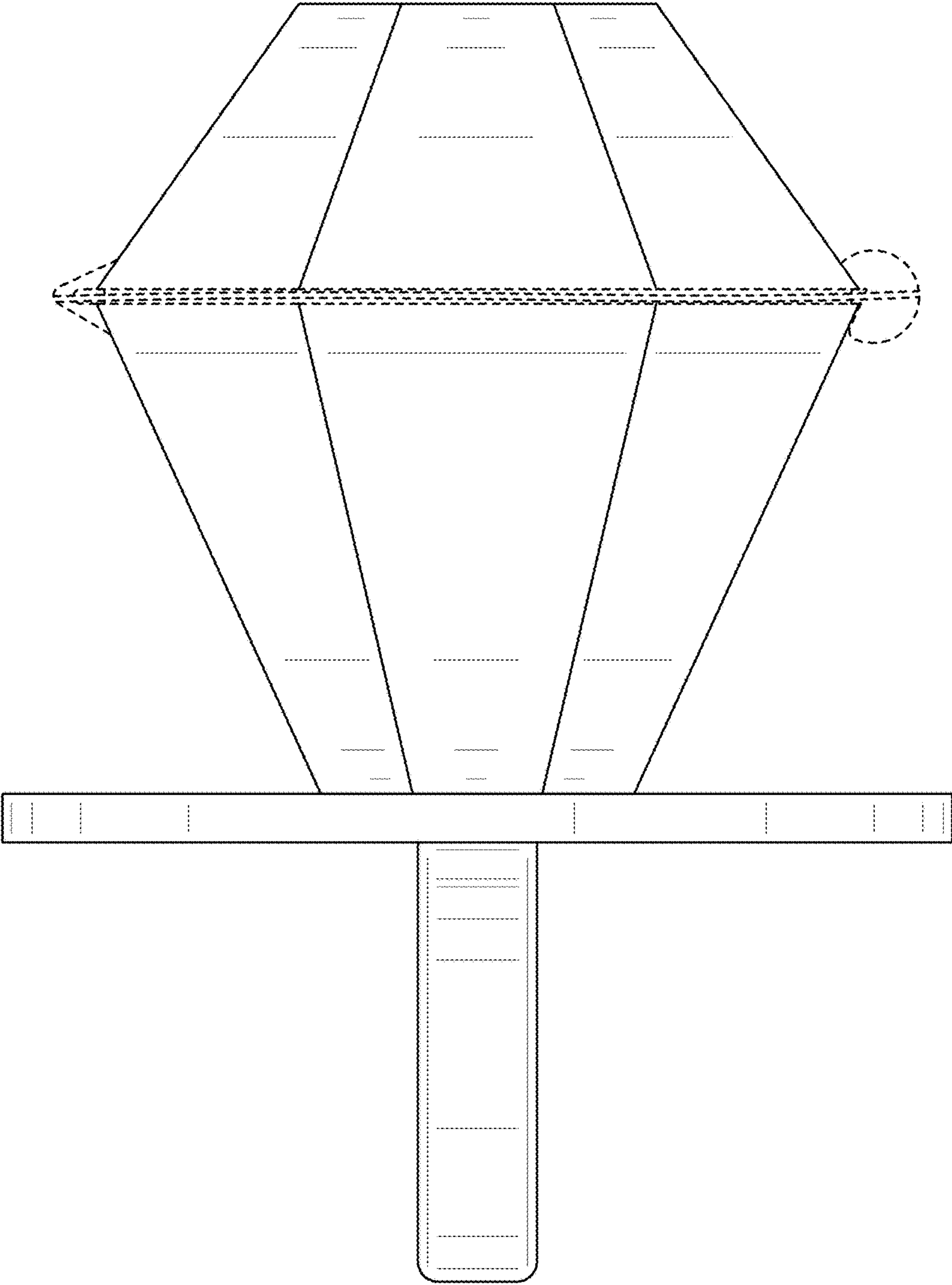


FIG. 6

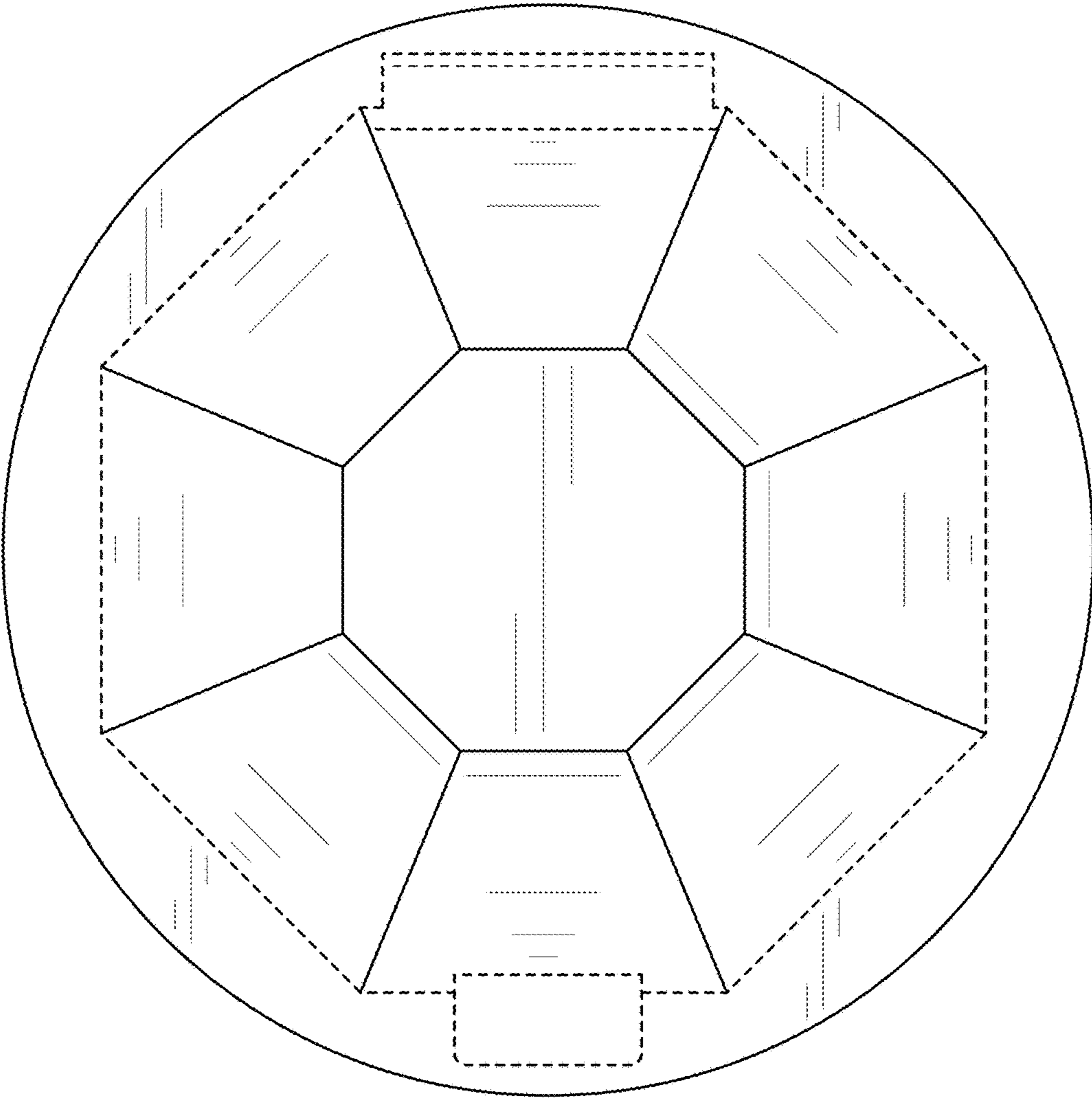


FIG. 7

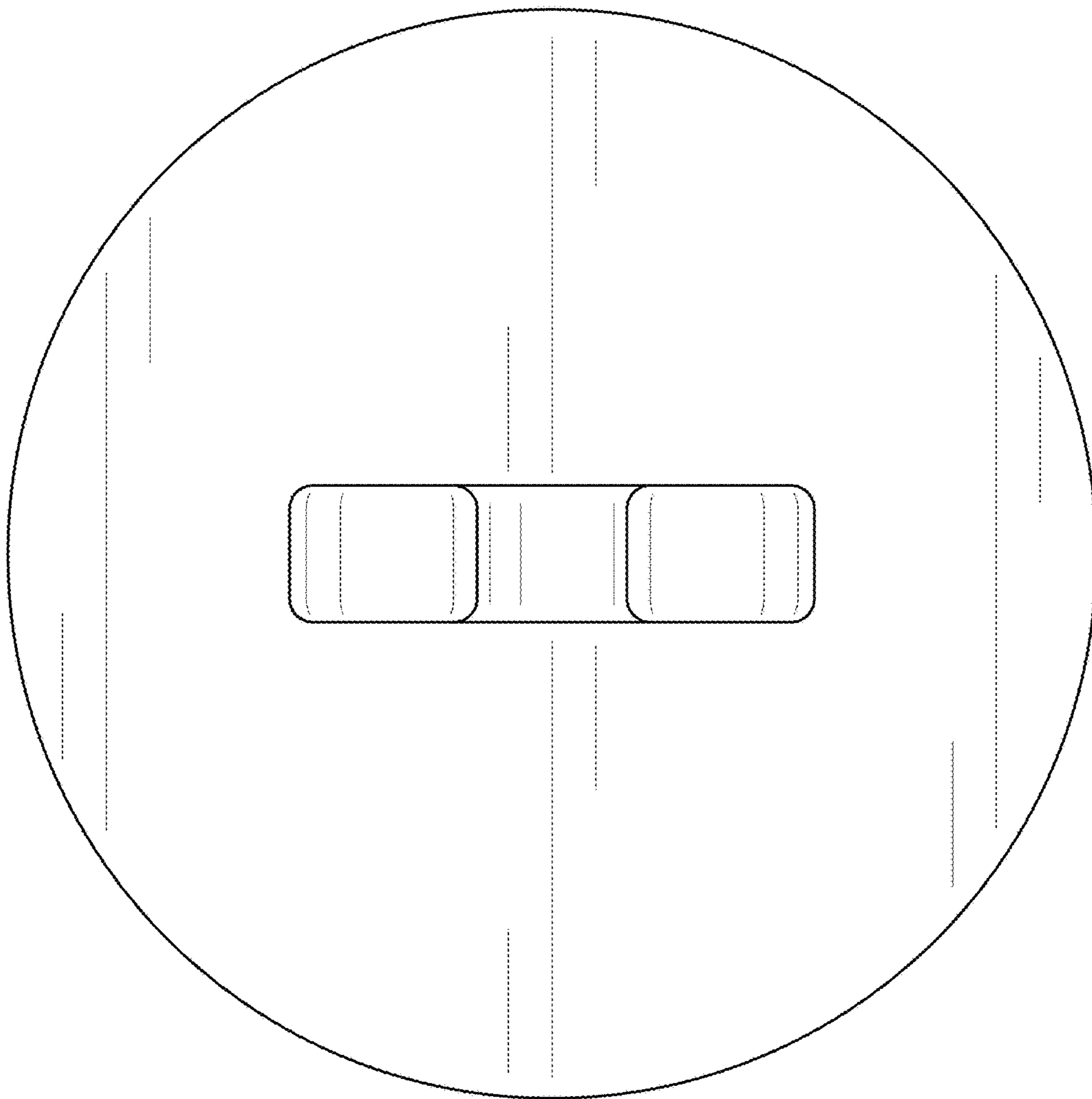


FIG. 8

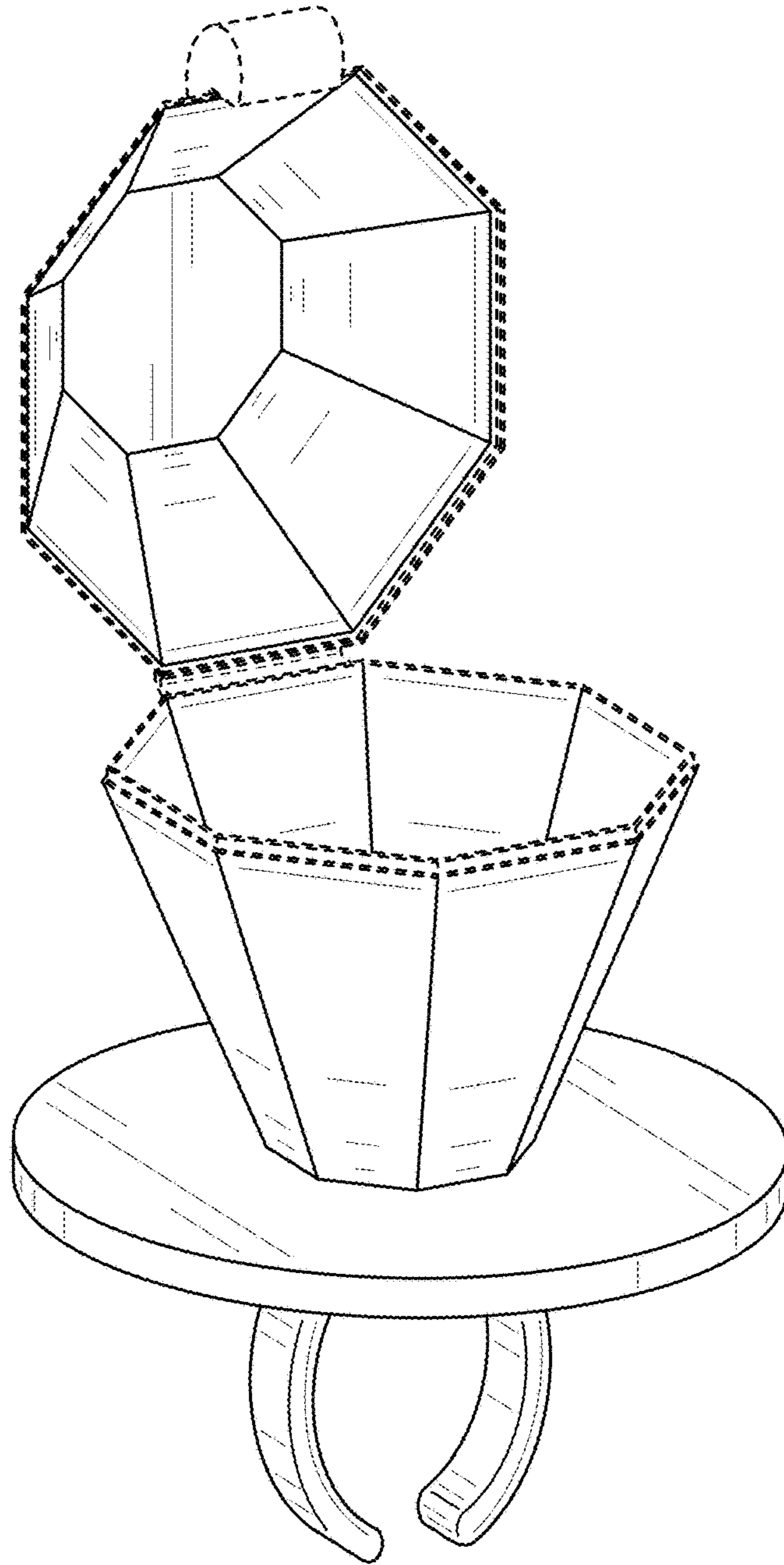


FIG. 9

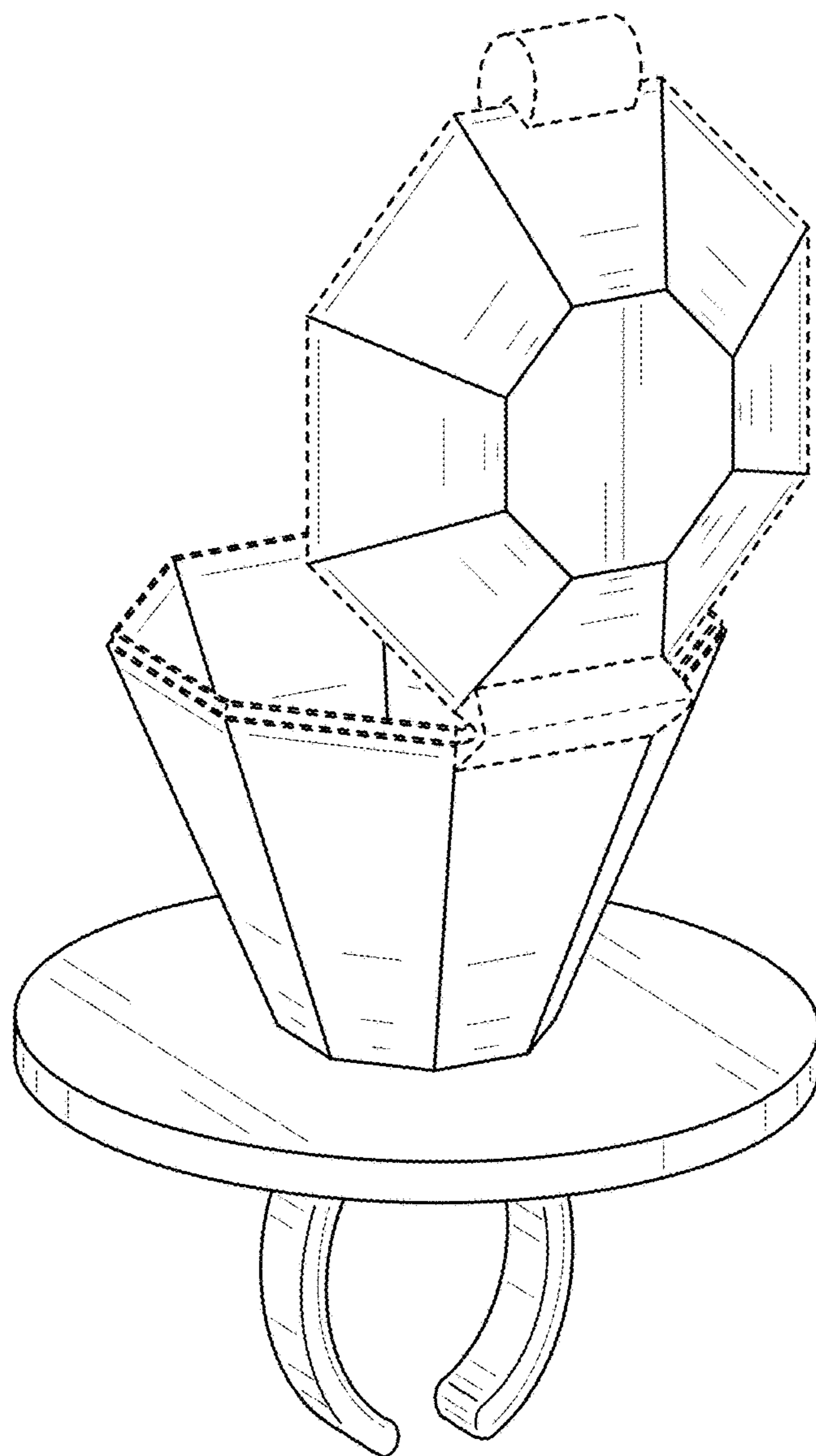


FIG. 10

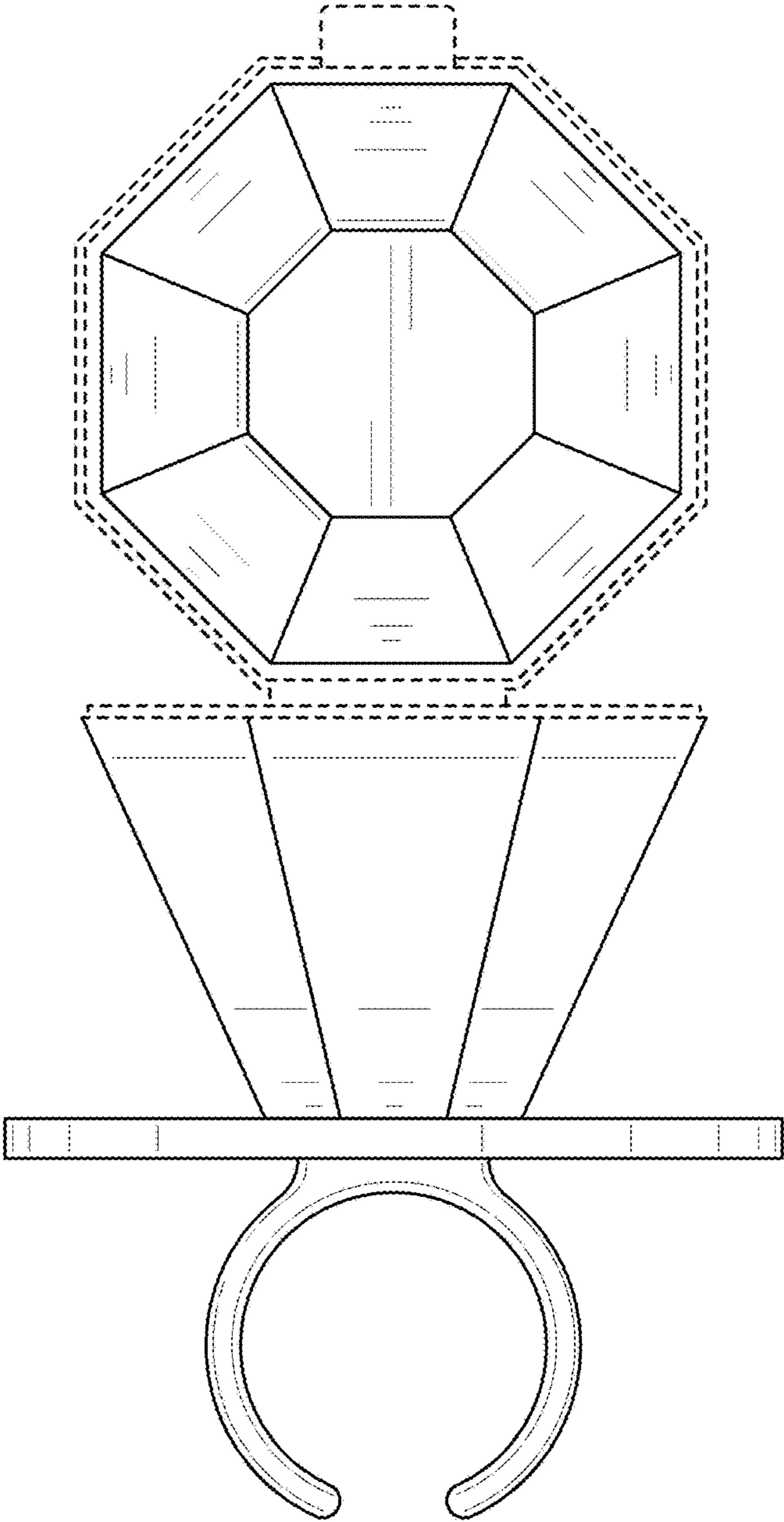


FIG. 11

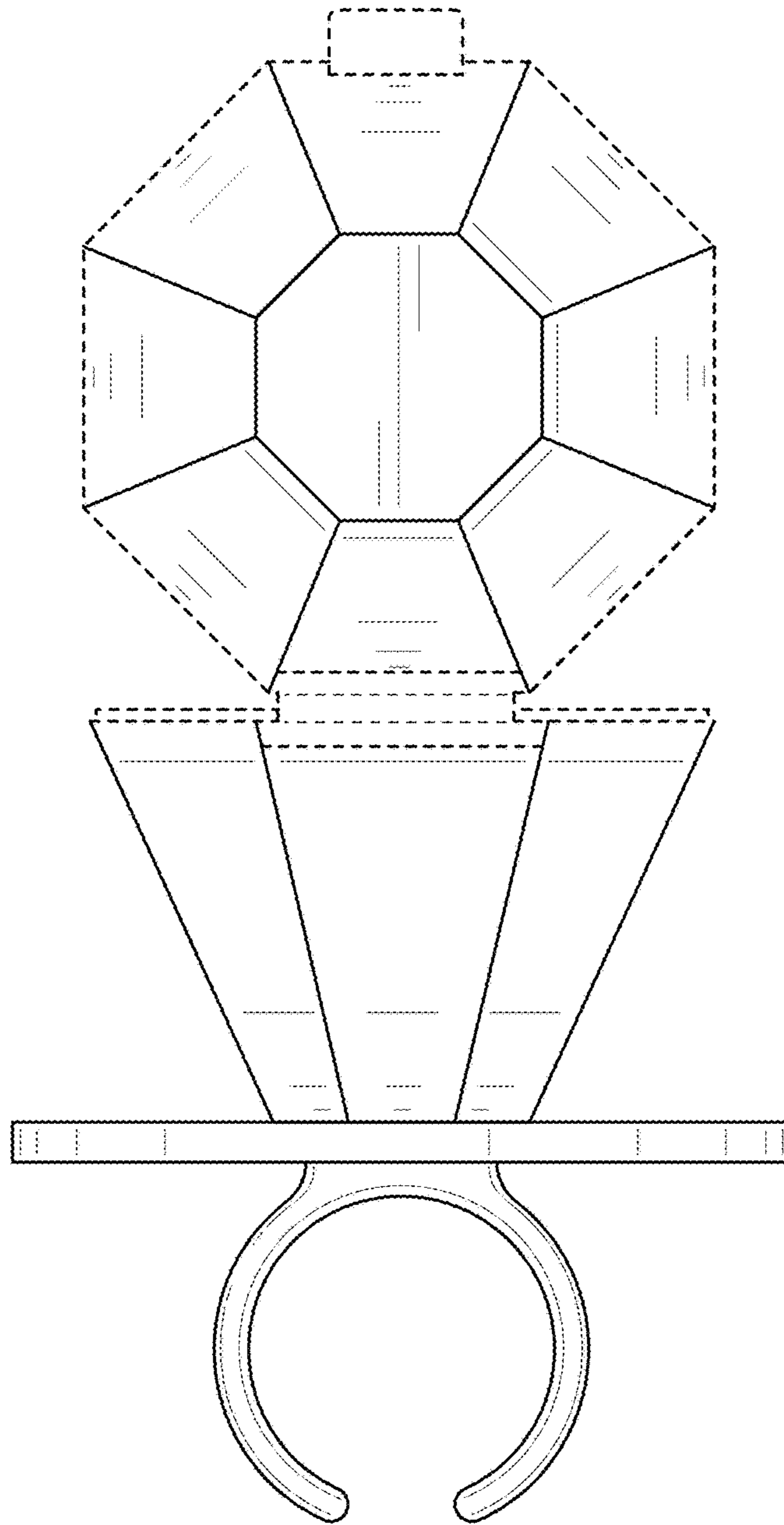


FIG. 12

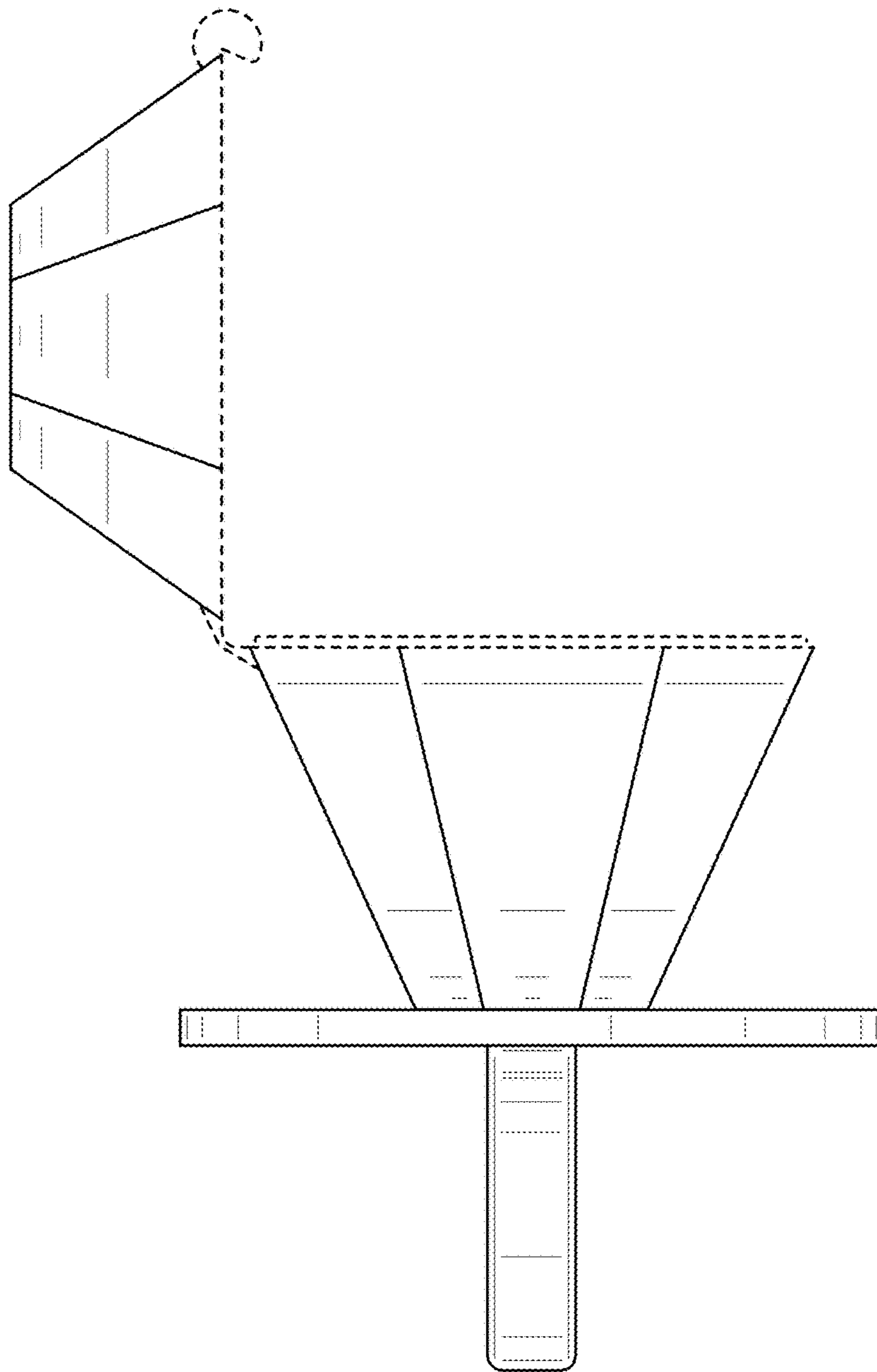


FIG. 13

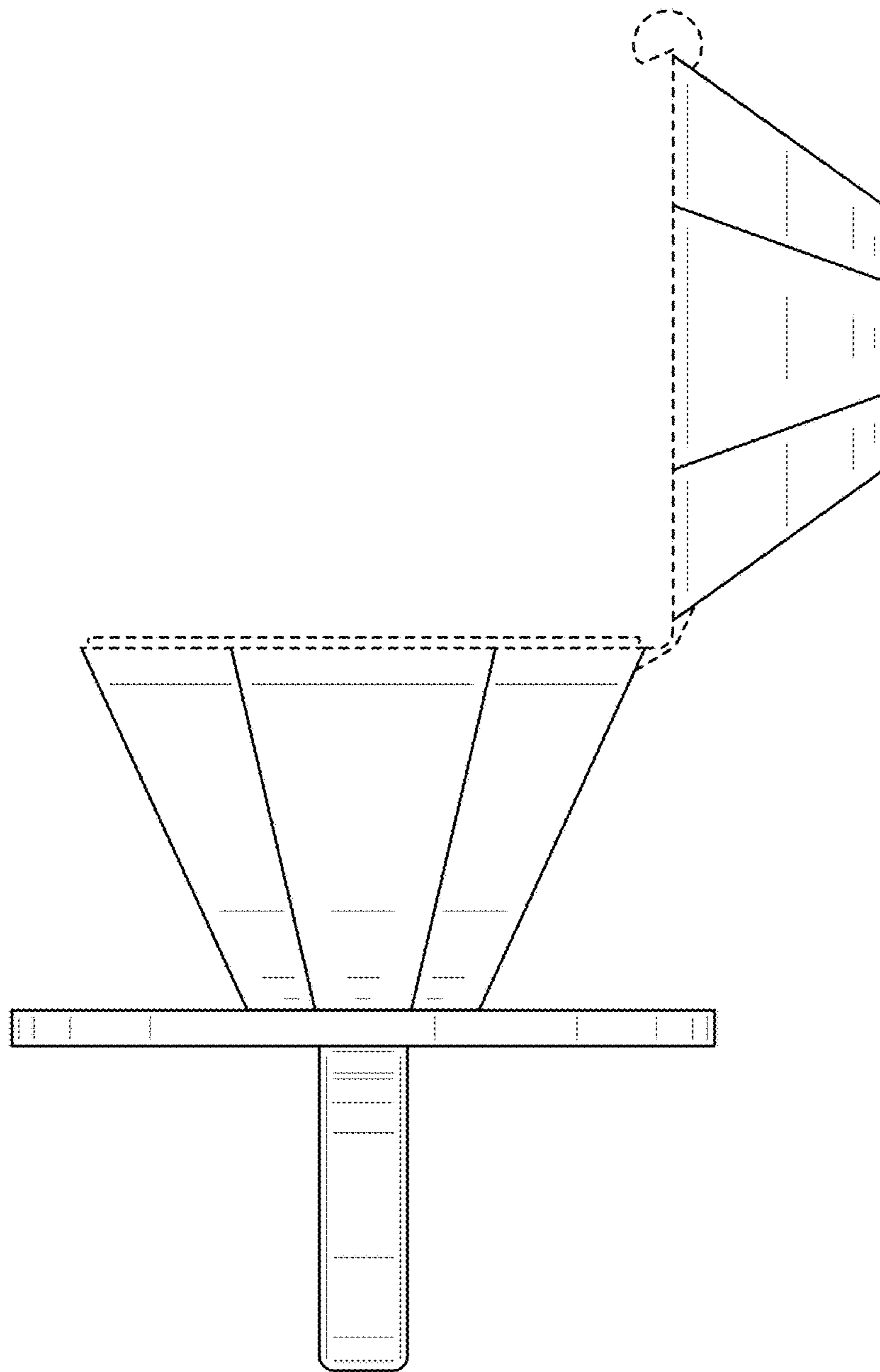


FIG. 14

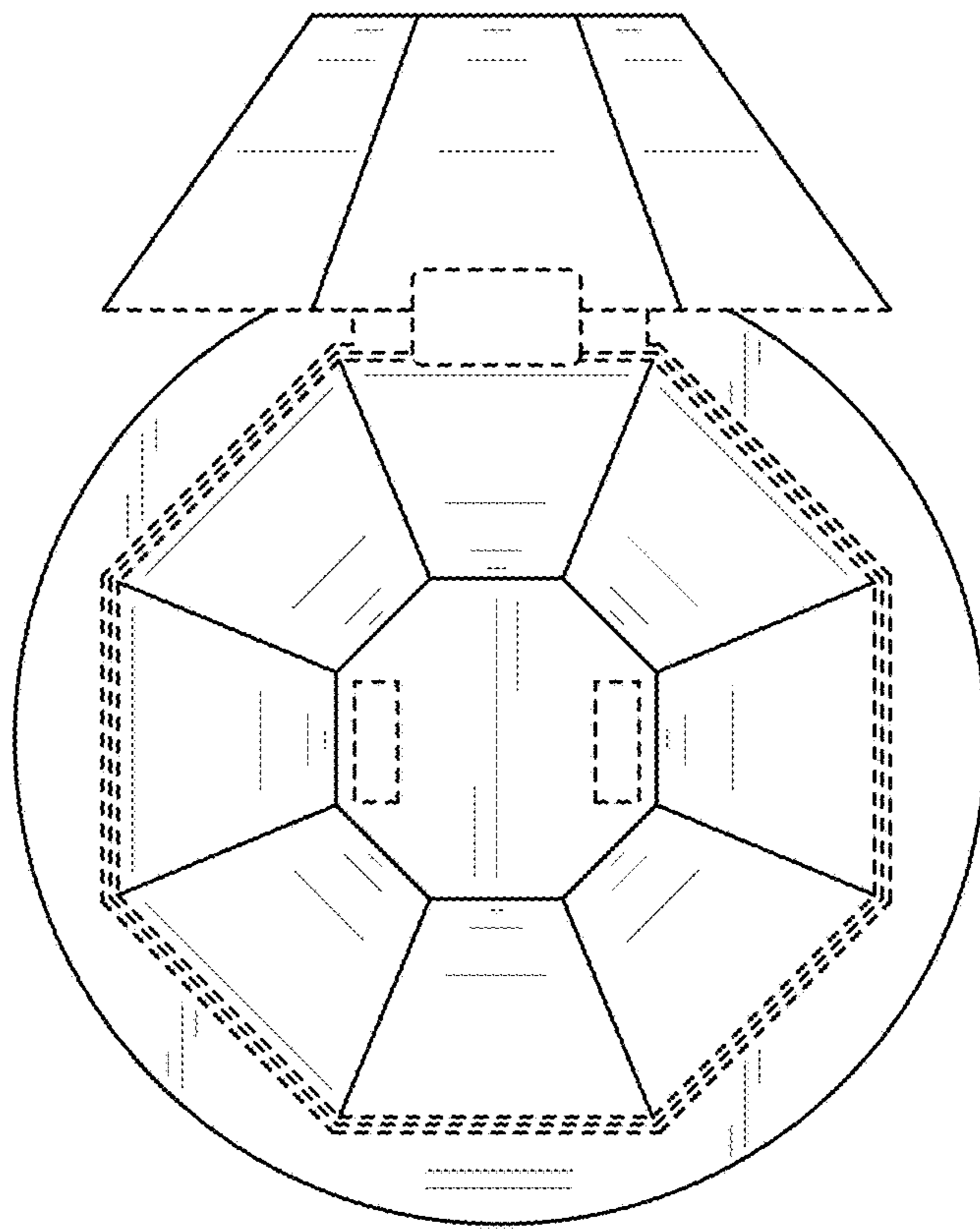


FIG. 15

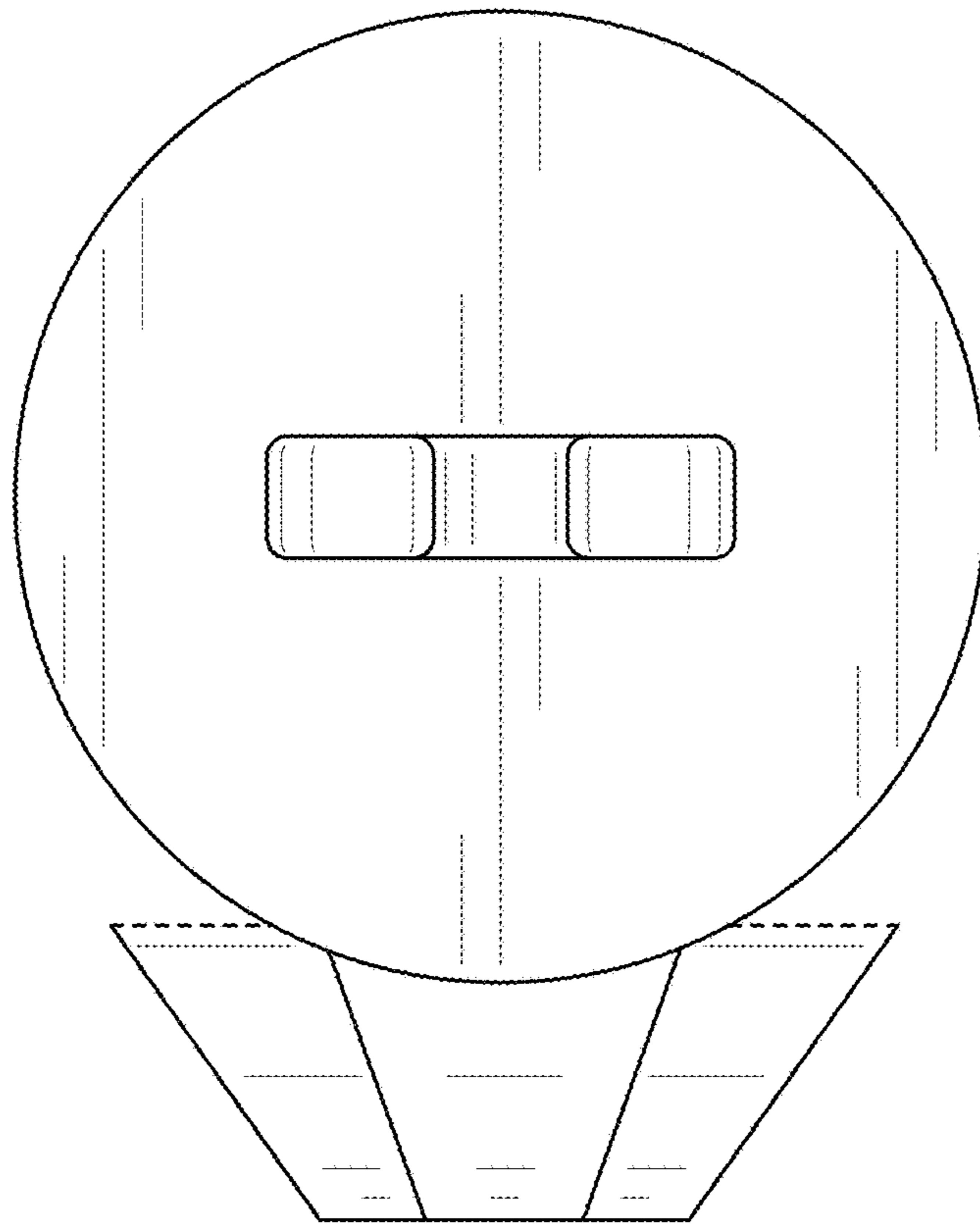


FIG. 16

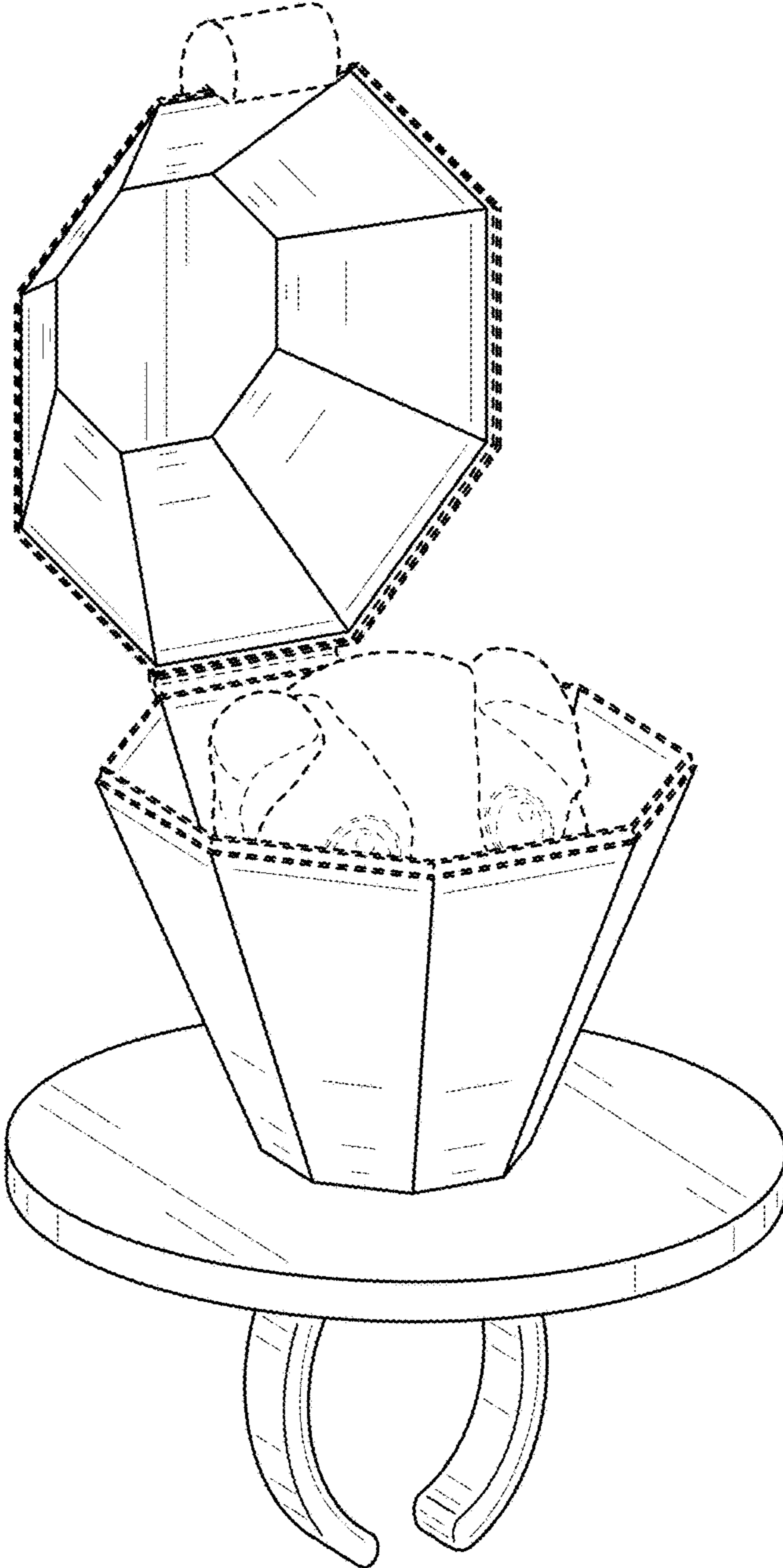


FIG. 17

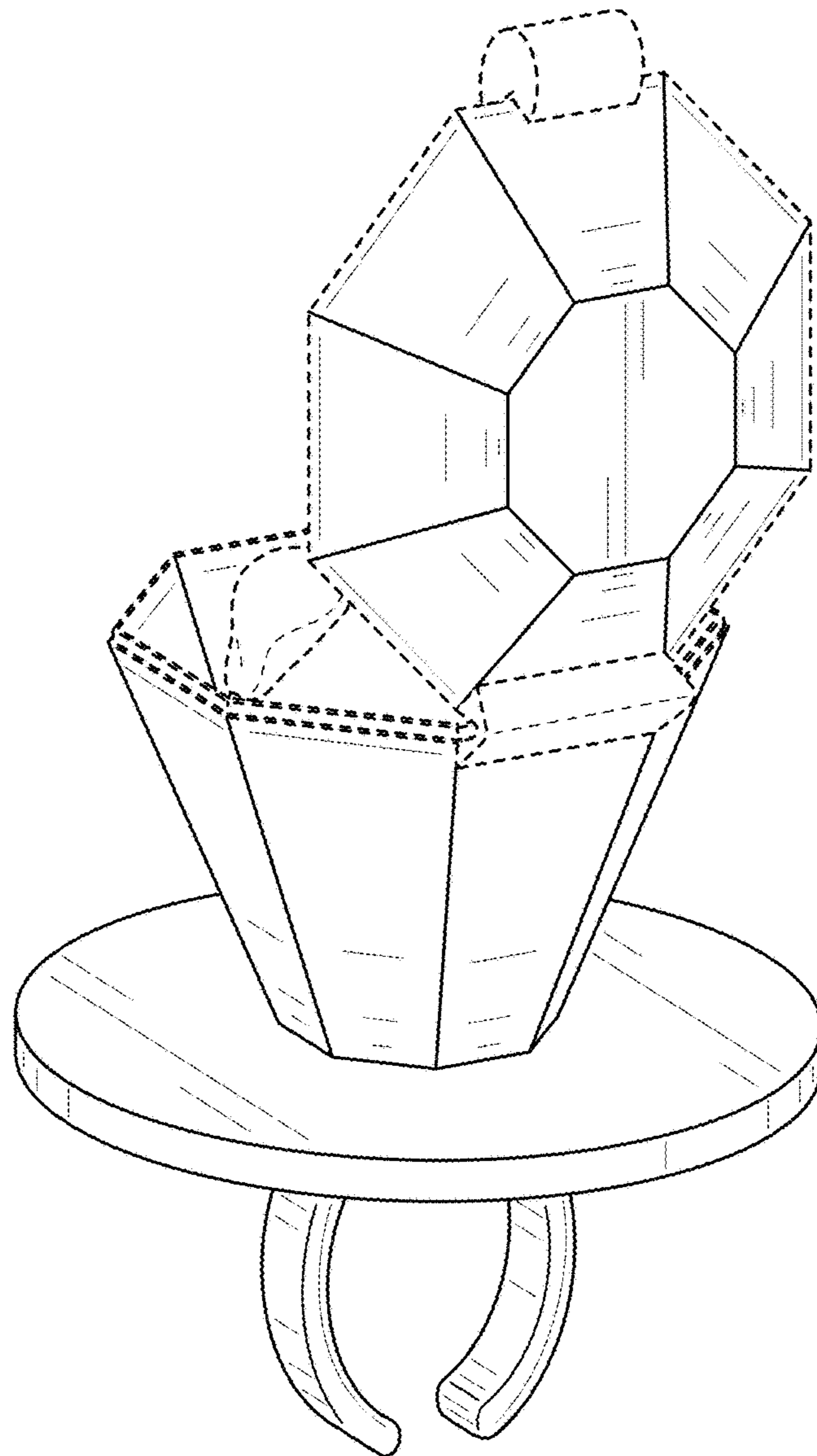


FIG. 18

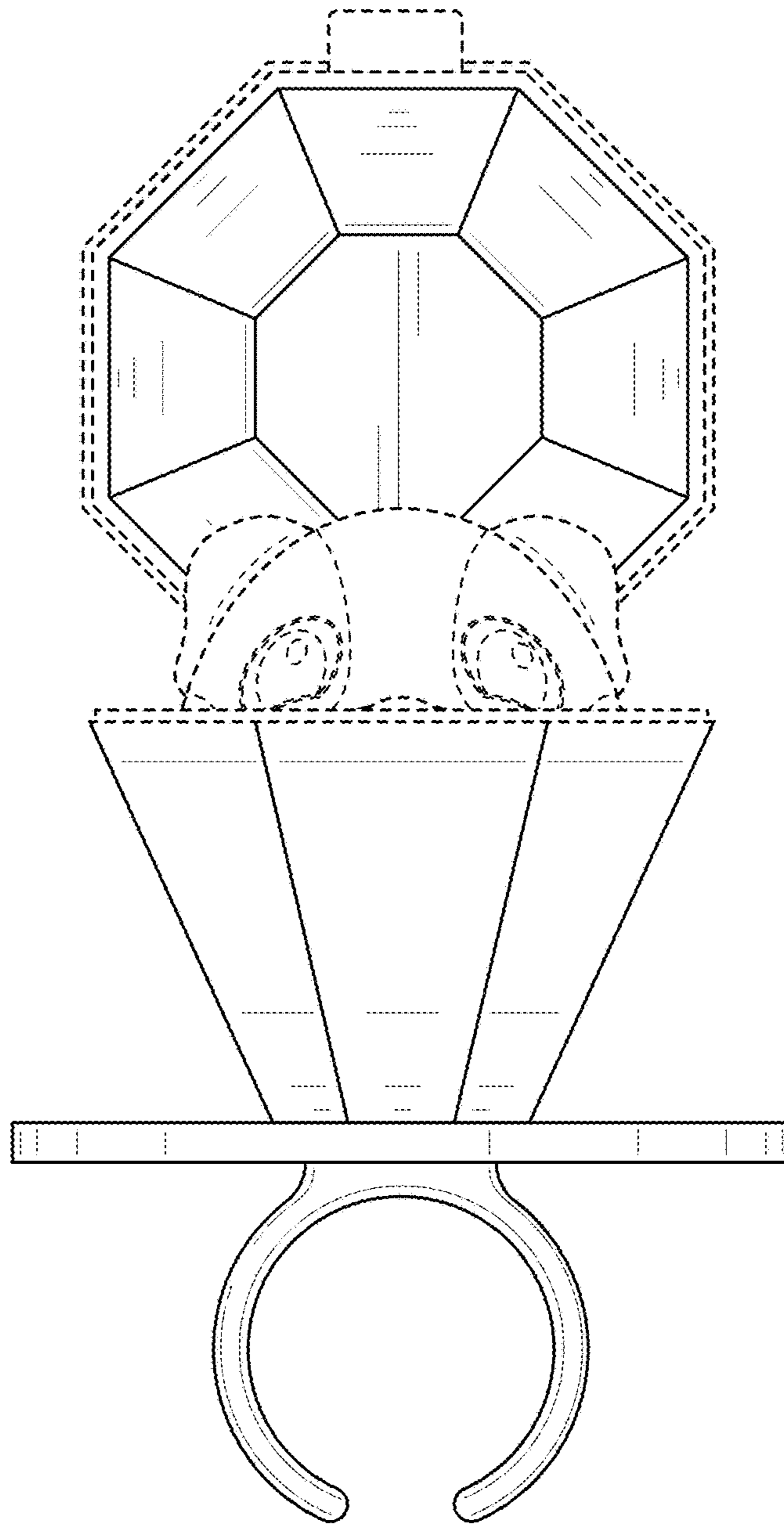


FIG. 19

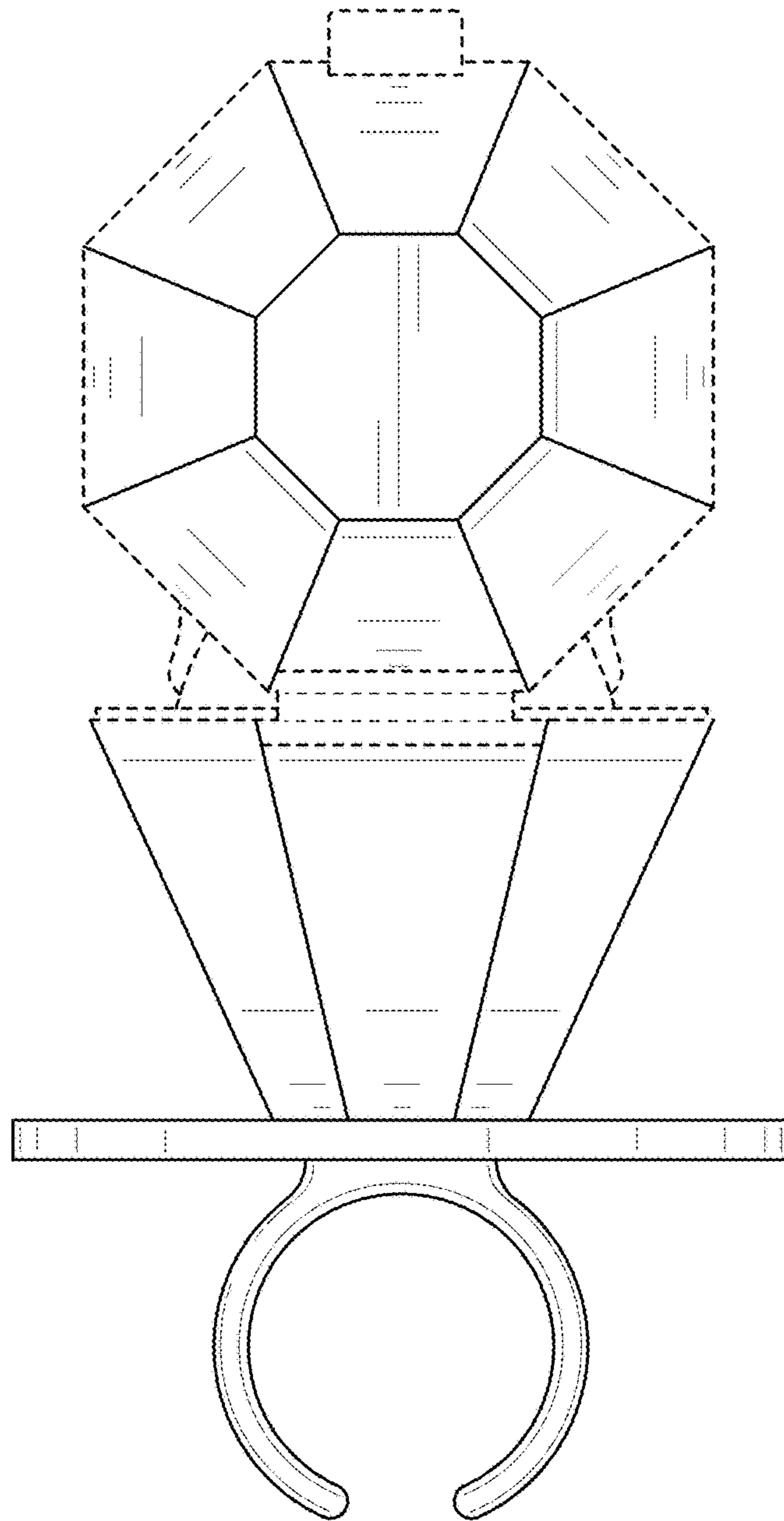


FIG. 20

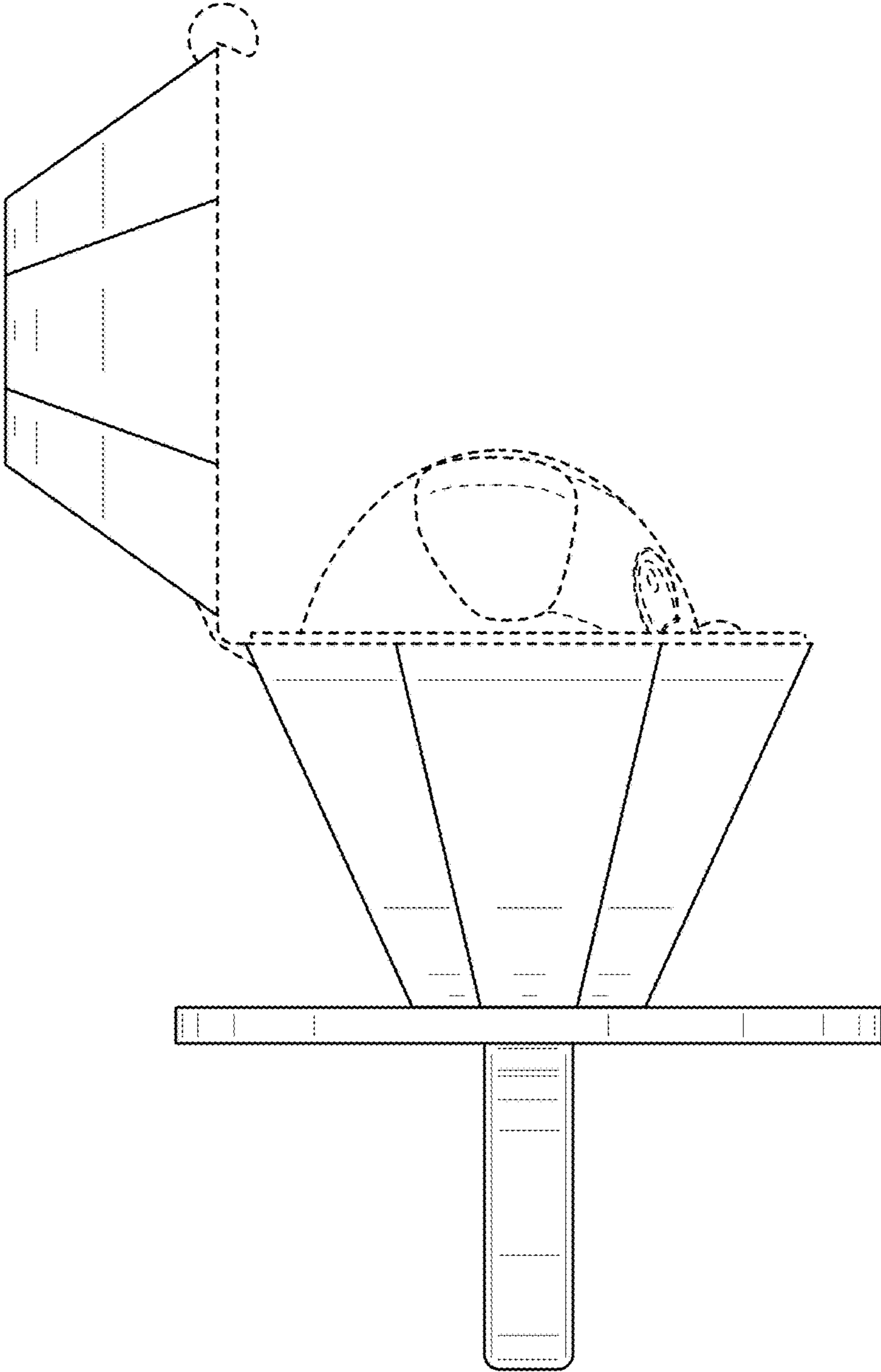


FIG. 21

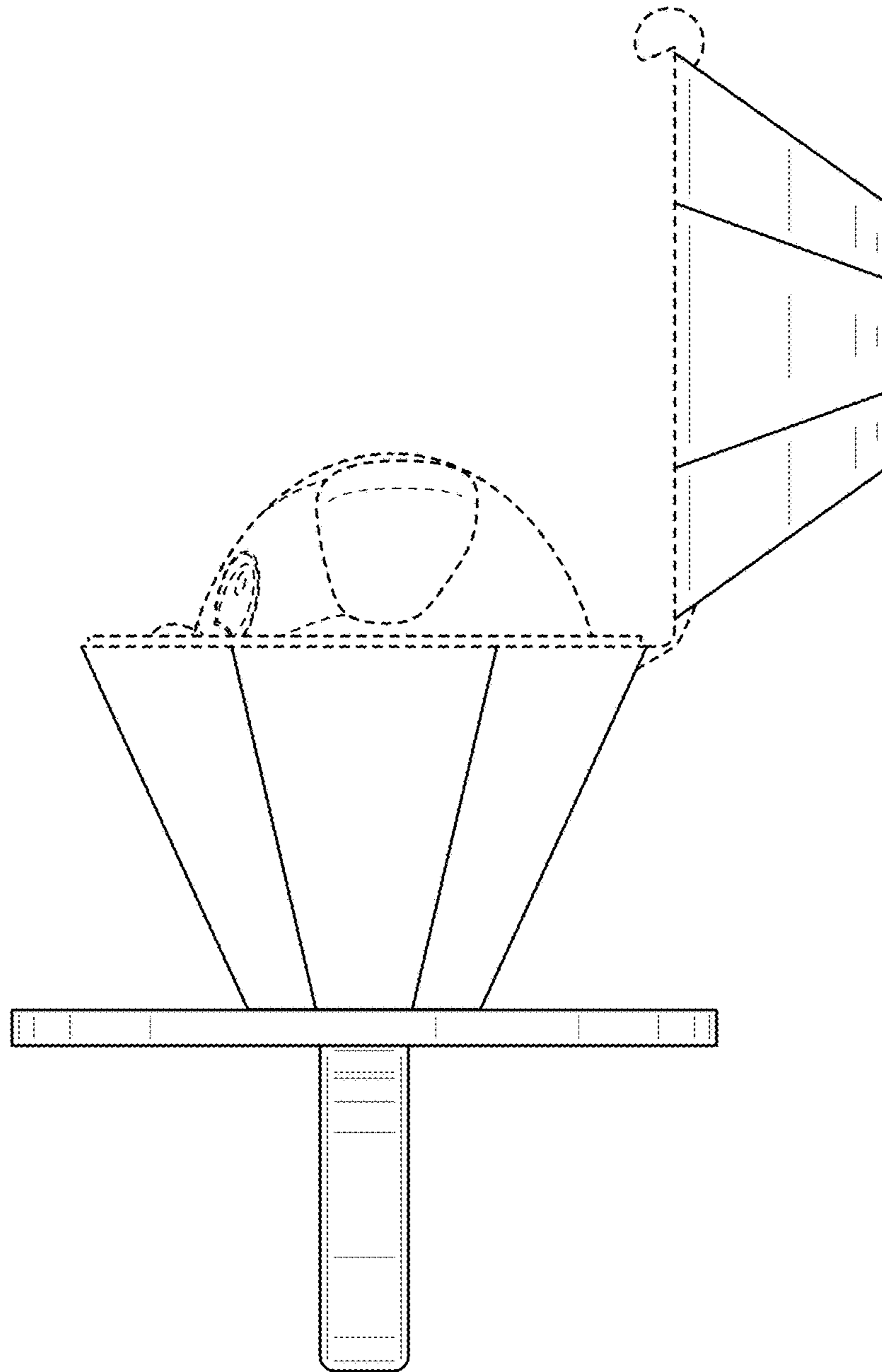


FIG. 22

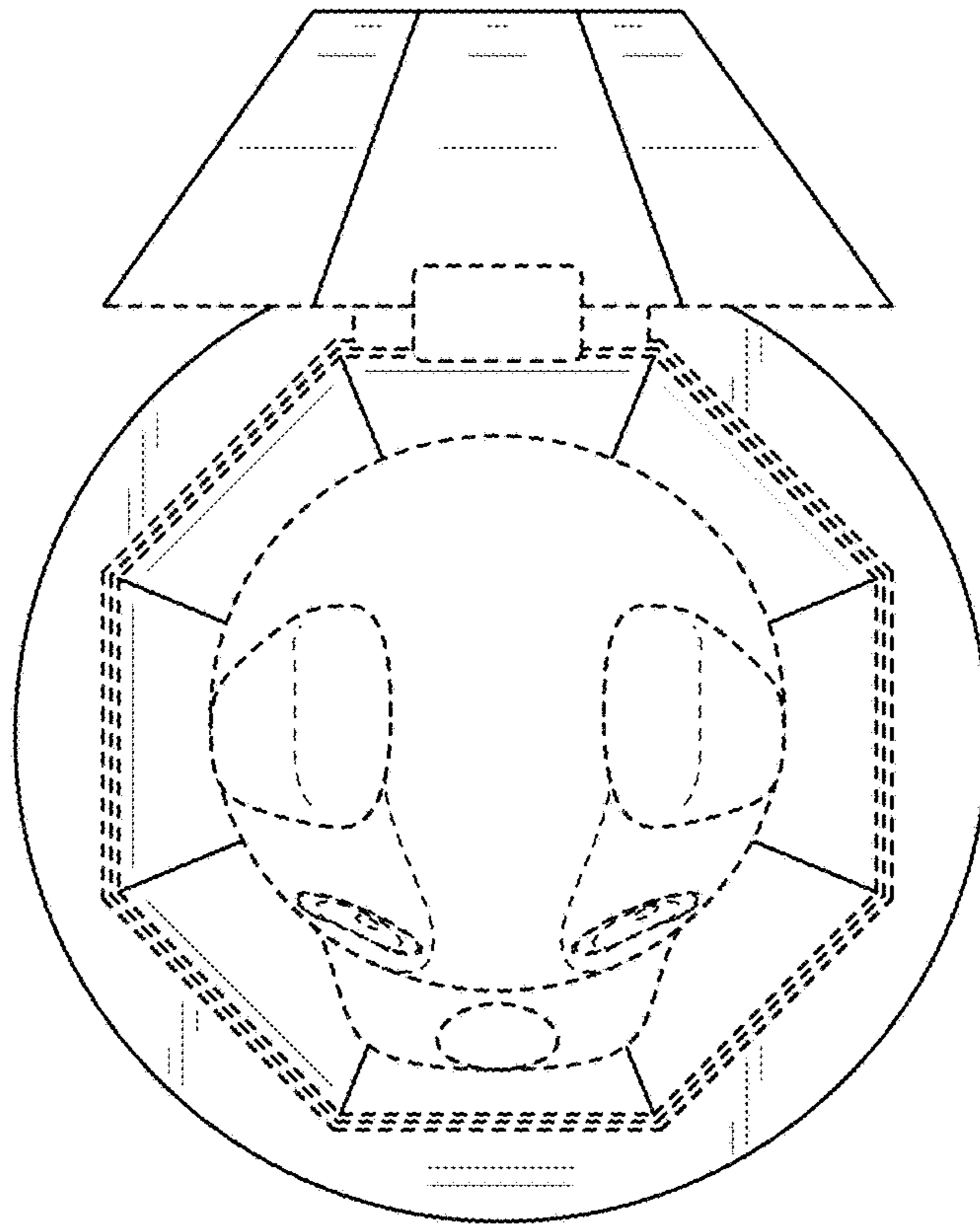


FIG. 23

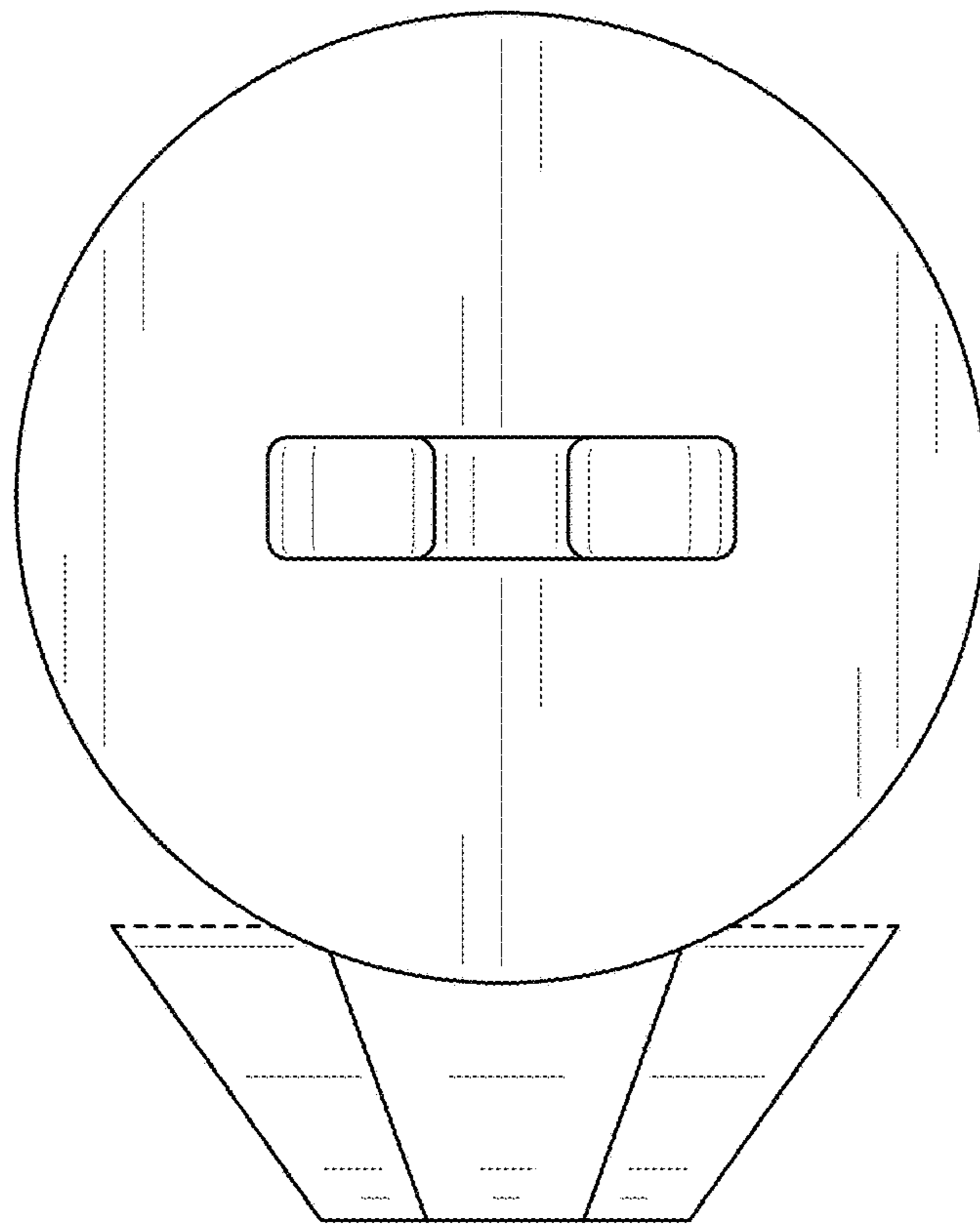


FIG. 24