



US00D853878S

(12) **United States Design Patent**
Wright et al.

(10) **Patent No.:** **US D853,878 S**
(45) **Date of Patent:** **** Jul. 16, 2019**

(54) **WATCH CASE**

(71) Applicant: **CATALYST LIFESTYLE LIMITED,**
North Point (HK)

(72) Inventors: **Joshua Wright,** Hong Kong Sar (CN);
June Lai, Hong Kong Sar (CN)

(73) Assignee: **CATALYST LIFESTYLE LIMITED,**
North Point (HK)

(**) Term: **15 Years**

(21) Appl. No.: **29/632,780**

(22) Filed: **Jan. 10, 2018**

(51) **LOC (11) Cl.** **10-07**

(52) **U.S. Cl.**
USPC **D10/128**

(58) **Field of Classification Search**
USPC D10/1, 2, 5, 14–15, 30–32, 37–39,
D10/40–41, 61, 70, 74, 80, 103, 122–124,
D10/126–128, 132; D11/3; D14/344,
D14/138 R; D24/167, 186

(Continued)

(56) **References Cited**

U.S. PATENT DOCUMENTS

1,195,299 A 8/1916 Watcher
1,205,217 A 11/1916 Kaufman

(Continued)

FOREIGN PATENT DOCUMENTS

CH 218928 4/1942
CH 343949 2/1960

(Continued)

OTHER PUBLICATIONS

Catalyst Drop Case for Apple Watch | posted at macobserver.com
May 2018 [online][site visited Jul. 17, 2018]. Available from

internet: <<https://www.macobserver.com/cool-stuff-found/catalyst-drop-case-apple-watch-sports-band/>> (Year: 2018).*

(Continued)

Primary Examiner — Sandra S Snapp
Assistant Examiner — Katherine Glennon
(74) *Attorney, Agent, or Firm* — Dinsmore & Shohl LLP

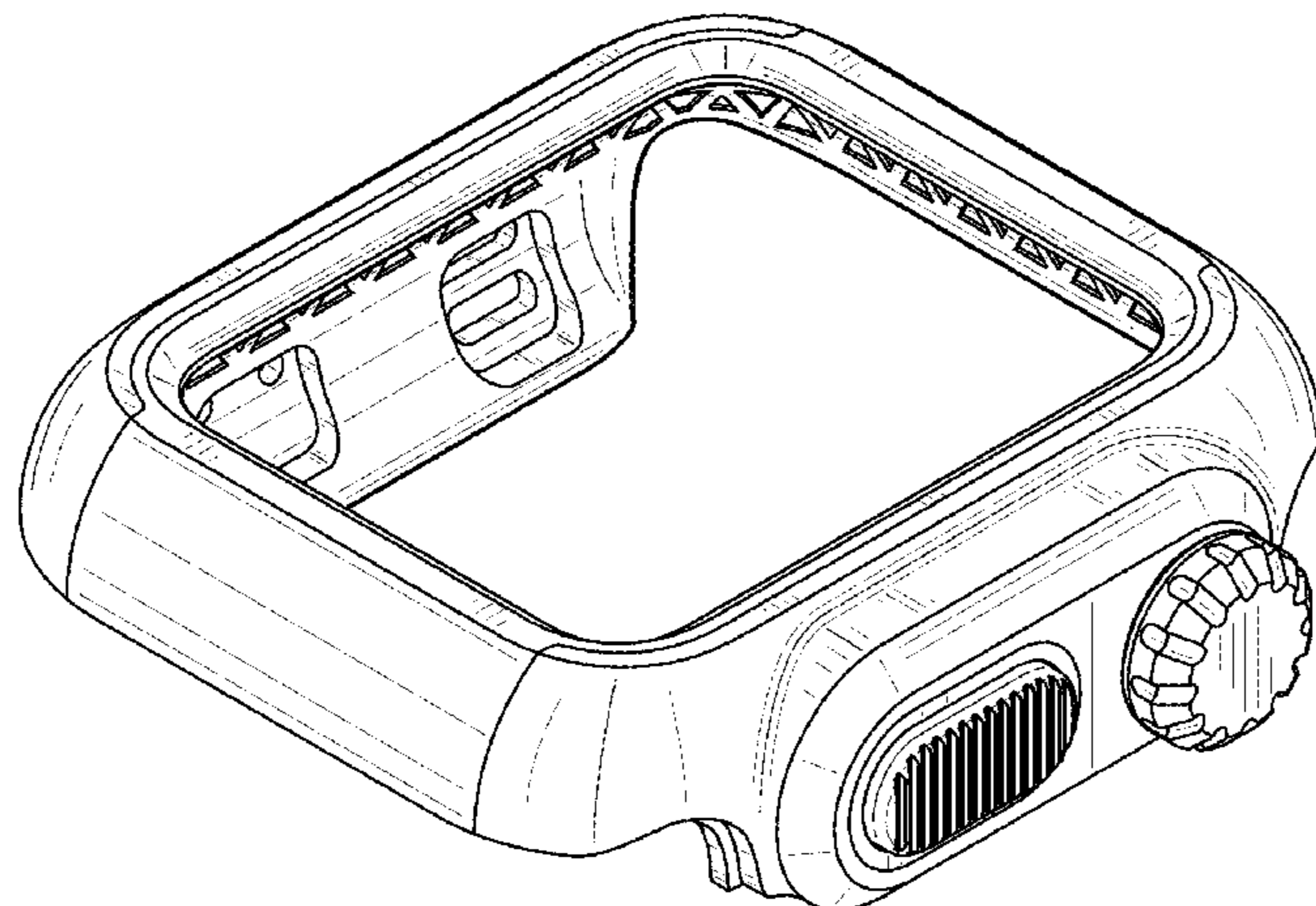
(57) **CLAIM**

The ornamental design for a watch case, as shown and described.

DESCRIPTION

FIG. 1 is a perspective view including a front, a top, and one side of a first embodiment of the watch case;
FIG. 2 is a plan view of the top of the watch case of FIG. 1;
FIG. 3 is a plan view of the bottom of the watch case of FIG. 1;
FIG. 4 is an elevational view of the left side of the watch case of FIG. 1;
FIG. 5 is an elevational view of the right side of the watch case of FIG. 1;
FIG. 6 is an elevational view of the rear of the watch case of FIG. 1;
FIG. 7 is an elevational view of the front of the watch case of FIG. 1;
FIG. 8 is a perspective view of a second embodiment including a front, a top, and one side of the watch case;
FIG. 9 is a plan view of the top of the watch case of FIG. 8;
FIG. 10 is a plan view of the bottom of the watch case of FIG. 8;
FIG. 11 is an elevational view of the left side of the watch case of FIG. 8;
FIG. 12 is an elevational view of the right side of the watch case of FIG. 8;
FIG. 13 is an elevational view of the rear of the watch case of FIG. 8; and,
FIG. 14 is an elevational view of the front of the watch case of FIG. 8.

1 Claim, 14 Drawing Sheets



(58) **Field of Classification Search**
 CPC G04F 1/00; G04F 5/00; G04F 7/06; G04F
 7/062; G04F 7/065; G04F 3/00; G04F
 3/06; G04F 3/08; G04C 23/00; G04C
 23/02; G04C 23/04; G04C 23/06; G04C
 23/08; G04B 19/00; G04B 19/06; G04B
 45/00; A44C 5/00; A44C 5/06; A44C
 5/14

See application file for complete search history.

(56) **References Cited**

U.S. PATENT DOCUMENTS

1,986,328 A 1/1935 Dreyfus
 2,136,625 A 11/1938 Lasko
 2,392,787 A 1/1946 Vermot
 D157,606 S 3/1950 Lachman
 3,194,004 A 7/1965 Church
 3,640,065 A 2/1972 Lederrey et al.
 3,789,601 A 2/1974 Bergey
 3,800,525 A 4/1974 Bergey
 3,992,874 A 11/1976 Collins
 4,062,181 A 12/1977 Zurcher
 4,236,239 A 11/1980 Imgruth et al.
 4,390,288 A 6/1983 Amoux
 D278,685 S 5/1985 Suzuki et al.
 D279,081 S 6/1985 Suzuki et al.
 D283,014 S 3/1986 Suzuki et al.
 D290,234 S 6/1987 Komatsu
 D293,417 S 12/1987 Sakamaki
 D299,028 S * 12/1988 Hermann D10/31
 5,206,841 A 4/1993 Boucheron
 D341,092 S 11/1993 Wild
 D351,799 S 10/1994 Bulgari
 5,392,261 A 2/1995 Hsu
 5,477,508 A 12/1995 Will
 D386,094 S 11/1997 Ventrella
 6,068,119 A 5/2000 Derr et al.
 6,267,236 B1 7/2001 Seok
 6,349,824 B1 2/2002 Yamada
 D465,163 S 11/2002 Bodino
 6,655,831 B1 12/2003 Ruffieux
 6,659,274 B2 12/2003 Enners
 6,698,608 B2 3/2004 Parker et al.
 D507,975 S 8/2005 Dreyfuss
 D517,430 S 3/2006 TerMeer et al.
 D520,805 S * 5/2006 Wright D7/337
 D528,440 S * 9/2006 Lovegrove D10/38
 D528,441 S 9/2006 Burton
 D528,928 S 9/2006 Burton
 7,106,197 B2 9/2006 Gaiotto et al.
 D531,524 S 11/2006 Behling
 D539,671 S 4/2007 Lassigne
 D564,367 S 3/2008 Molyneux
 7,555,325 B2 6/2009 Goros
 7,577,468 B2 8/2009 Begic et al.
 7,594,576 B2 * 9/2009 Chen G06F 1/1628
 206/305
 D603,827 S 11/2009 Tompkin et al.
 7,613,386 B2 11/2009 Shimamura
 7,630,746 B2 12/2009 Holmberg
 D616,417 S 5/2010 Liao
 7,708,457 B2 5/2010 Girardin
 7,933,122 B2 4/2011 Richardson et al.
 D638,312 S 5/2011 Jacobs
 D638,324 S 5/2011 Tang
 7,946,758 B2 5/2011 Mooring
 D645,031 S 9/2011 Richardson et al.
 D657,262 S 4/2012 Pulli
 D664,046 S 7/2012 Claessens
 D666,924 S 9/2012 Ahlstrom
 8,292,493 B2 10/2012 Mooring
 D672,255 S 12/2012 Zanella et al.
 D672,265 S 12/2012 Pulli
 D673,477 S 1/2013 Szellos
 8,342,325 B2 1/2013 Rayner

8,345,412 B2 1/2013 Maravilla et al.
 D683,338 S 5/2013 Wilson et al.
 D688,582 S 8/2013 Wilson
 D688,967 S 9/2013 Wilson
 D693,251 S 11/2013 Anderssen et al.
 D699,701 S 2/2014 Kim
 D709,057 S 7/2014 Wilson et al.
 D709,869 S * 7/2014 Witter D14/250
 8,787,009 B2 7/2014 Wilson et al.
 D716,786 S * 11/2014 Wilson D14/250
 D717,678 S 11/2014 Anderssen et al.
 8,944,614 B2 2/2015 Parrill
 8,955,678 B2 2/2015 Murphy et al.
 8,967,437 B2 3/2015 Wilson
 D727,194 S 4/2015 Wilson
 9,004,329 B2 4/2015 Hsieh et al.
 9,007,758 B2 4/2015 Wilson et al.
 D729,218 S 5/2015 Wilson et al.
 D737,159 S 8/2015 Akana et al.
 9,101,184 B2 8/2015 Wilson
 9,114,923 B2 8/2015 Richardson et al.
 D739,768 S 9/2015 Hanshew et al.
 9,136,897 B2 9/2015 Hyneczek et al.
 9,145,250 B2 9/2015 Richardson et al.
 D741,726 S 10/2015 Akana et al.
 9,155,368 B2 10/2015 Chang
 D742,254 S 11/2015 Greusel et al.
 D742,761 S 11/2015 Grazian et al.
 D744,356 S * 12/2015 Akana D10/70
 D745,421 S 12/2015 Akana et al.
 9,223,346 B2 12/2015 Wilson
 D746,707 S 1/2016 Akana et al.
 D751,067 S 3/2016 Nousiainen
 D751,550 S * 3/2016 Solomon D10/38
 D751,558 S 3/2016 Lee
 D752,044 S * 3/2016 Akana D14/344
 D752,579 S 3/2016 Lee
 D752,996 S 4/2016 Ebersold
 D756,244 S * 5/2016 Bastian D10/132
 D756,357 S 5/2016 Akana et al.
 D759,658 S * 6/2016 Lai D14/440
 D759,725 S 6/2016 Akana et al.
 9,386,932 B2 7/2016 Chatterjee et al.
 D765,072 S 8/2016 Kwon
 D766,904 S * 9/2016 Jung D14/440
 D766,905 S 9/2016 Lee
 D766,906 S * 9/2016 Kim D14/440
 D767,573 S * 9/2016 Kim D14/440
 D768,612 S * 10/2016 Wright D14/250
 D769,879 S * 10/2016 Kim D14/440
 D771,504 S * 11/2016 Lai D10/30
 D772,730 S * 11/2016 Lai D10/38
 D786,879 S * 5/2017 Kim D14/440
 D795,089 S * 8/2017 Wright D10/32
 D799,344 S * 10/2017 Wright D10/30
 D813,220 S * 3/2018 Wright D14/250
 D819,622 S * 6/2018 Wright D14/250
 2002/0065054 A1 5/2002 Humphreys et al.
 2005/0116003 A1 6/2005 Butler et al.
 2009/0080153 A1 3/2009 Richardson et al.
 2009/0302799 A1 12/2009 Marquet et al.
 2010/0061191 A1 3/2010 Chen
 2012/0073093 A1 3/2012 Szellos
 2012/0074005 A1 3/2012 Johnson et al.
 2012/0134244 A1 5/2012 Margaritelli
 2013/0001263 A1 1/2013 Kai
 2014/0356495 A1 12/2014 Teuscher
 2015/0137731 A1 5/2015 Kim
 2015/0141096 A1 5/2015 Murphy et al.
 2015/0214991 A1 7/2015 Ranchod et al.
 2015/0296963 A1 10/2015 Byun et al.
 2015/0319520 A1 11/2015 Richardson et al.
 2016/0254836 A1 9/2016 Alsberg et al.

(56)

References Cited

U.S. PATENT DOCUMENTS

2017/0035156 A1* 2/2017 Wright A45C 13/008
 2017/0248922 A1* 8/2017 Hyncek G04B 37/005

FOREIGN PATENT DOCUMENTS

CH	690 870	A5	2/2001
CN	203119956	U	8/2013
CN	203708299	U	7/2014
CN	204190798	U	3/2015
CN	204305125	U	4/2015
DE	822169		11/1951
JP	8046371	A	2/1996
JP	9023072		1/1997
JP	3044740	U	1/1998
JP	10079582	A	3/1998
JP	11231970	A	8/1999
JP	11231973	A	8/1999
JP	11284358	A	10/1999
JP	2000125916	A	5/2000
JP	2006064762	A	3/2006
WO	99/67889	A1	12/1999
WO	03041288	A2	5/2003
WO	2014-019030	A1	2/2014

OTHER PUBLICATIONS

Watch Case / Catalyst Case for Apple Watch / Catalyst, posted at catalystlifestyle.comn, posting date N/A, © 2016 catalystlifestyle.com, [online], [site visited Jun. 24, 2016], Available from Internet <http://www.catalystlifestyle.com/collections/catalyst-case-for-apple-watch/products/catalyst-apple-watch-42mm>.
<https://www.amazon.com/UMTELE-Rugged-Scratch-Resistant-Protective, Jan. 9, 2018>.
<https://www.amazon.com/iitee-Universal-Rugged-Protective-iWatch, Jan. 9, 2018>.
<https://www.amazon.com/OULUOQI-Shock-proof-Shatter-resistant-Protector-iwatch, Jan. 9, 2018>.
<https://www.amazon.com/Caseology-Rugged-Protective-Resistant-Bumper, Jan. 9, 2018>.
<https://www.amazon.com/Speck-Products-CandyShell-Apple-Watch, Jan. 9, 2018>.
<https://www.amazon.com/Spigen-Extreme-Protection-Protector-Original, Jan. 9, 2018>.
<https://www.amazon.com/Actionproof-Apple-Watch-Case-42mm, Jan. 9, 2018>.
<https://www.amazon.com/LUVVITT-Performance-Fluoroelastomer-Flexible-Editions Jan. 9, 2018>.

* cited by examiner

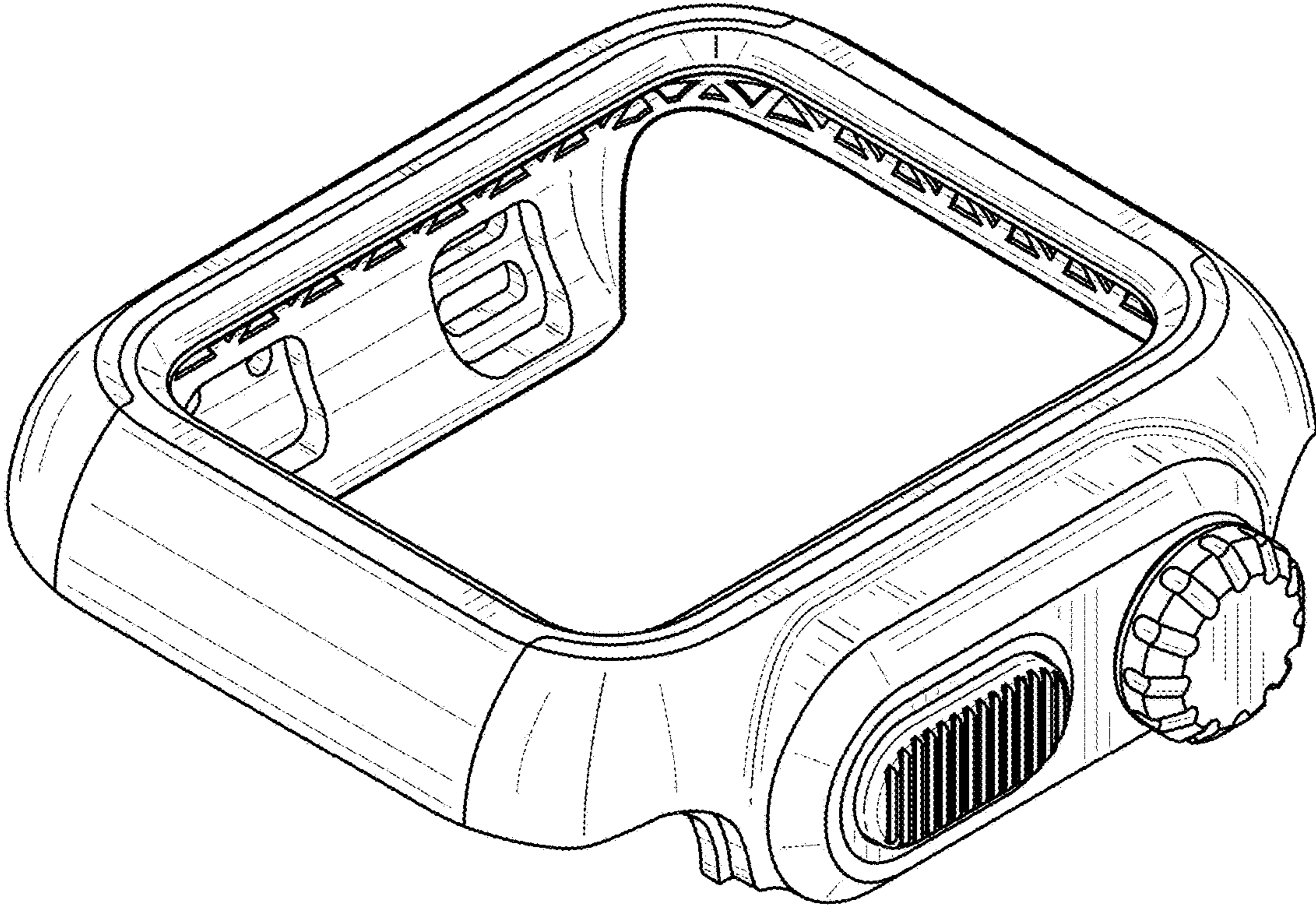


FIG. 1

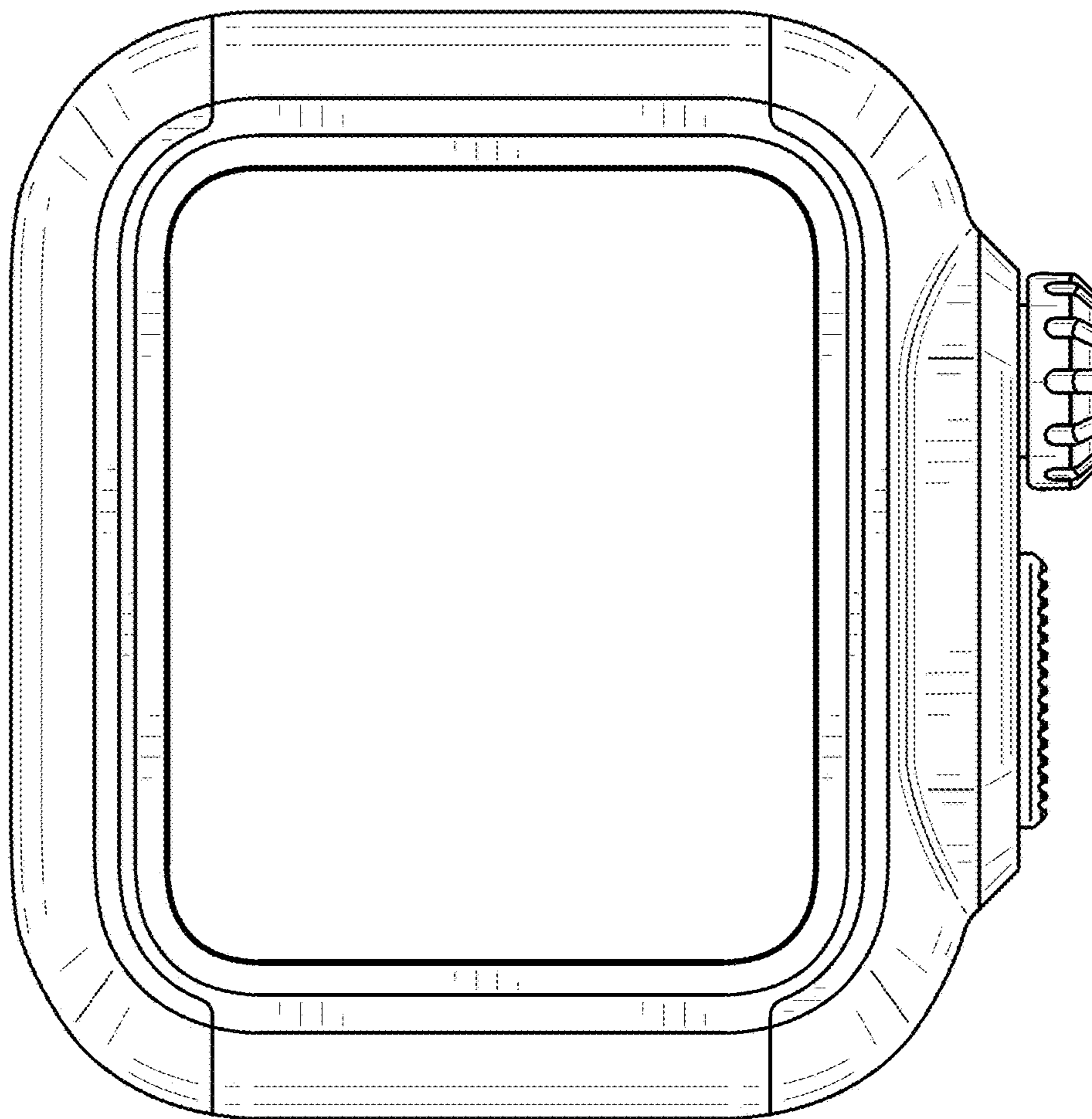


FIG. 2

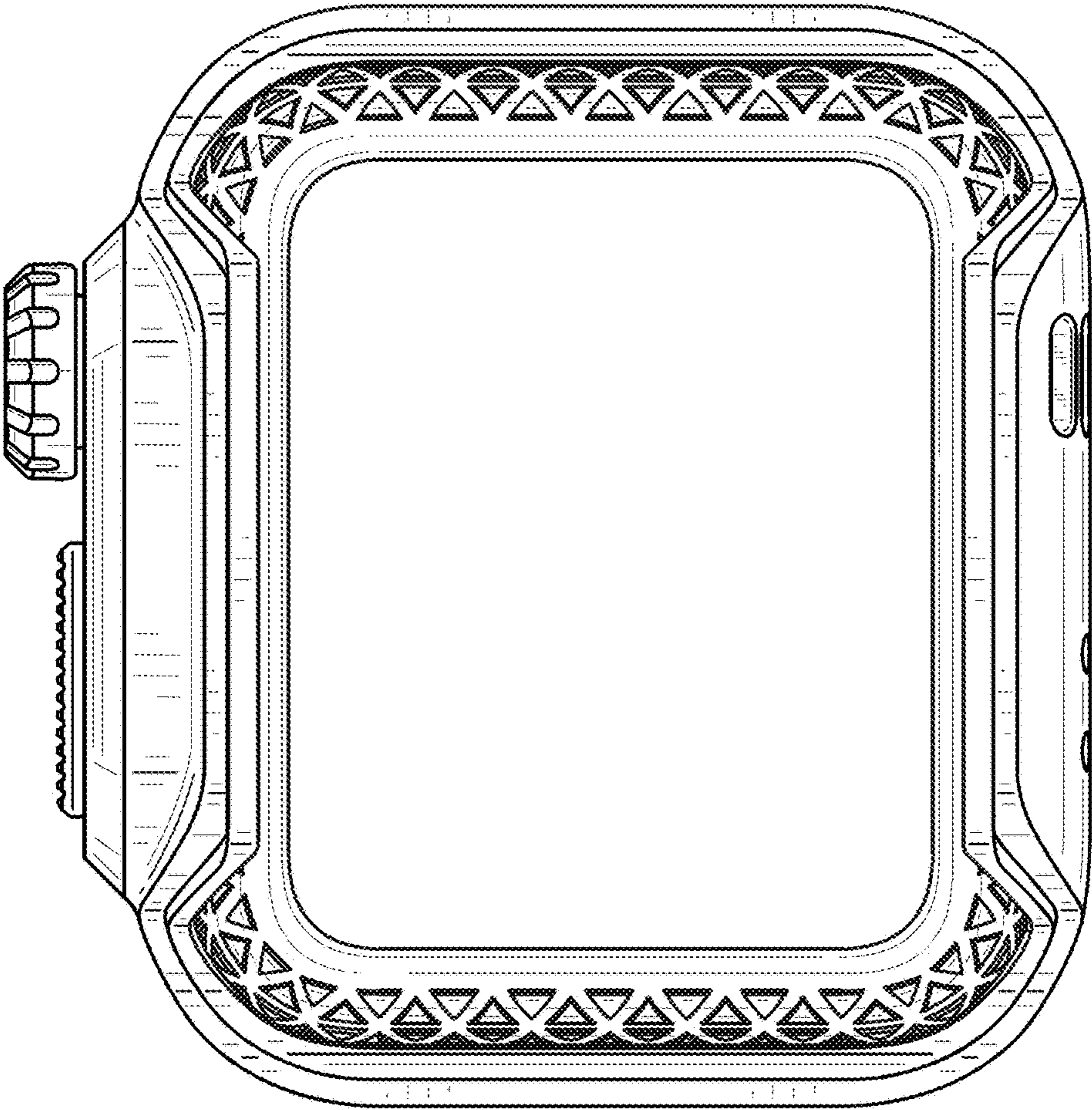


FIG. 3

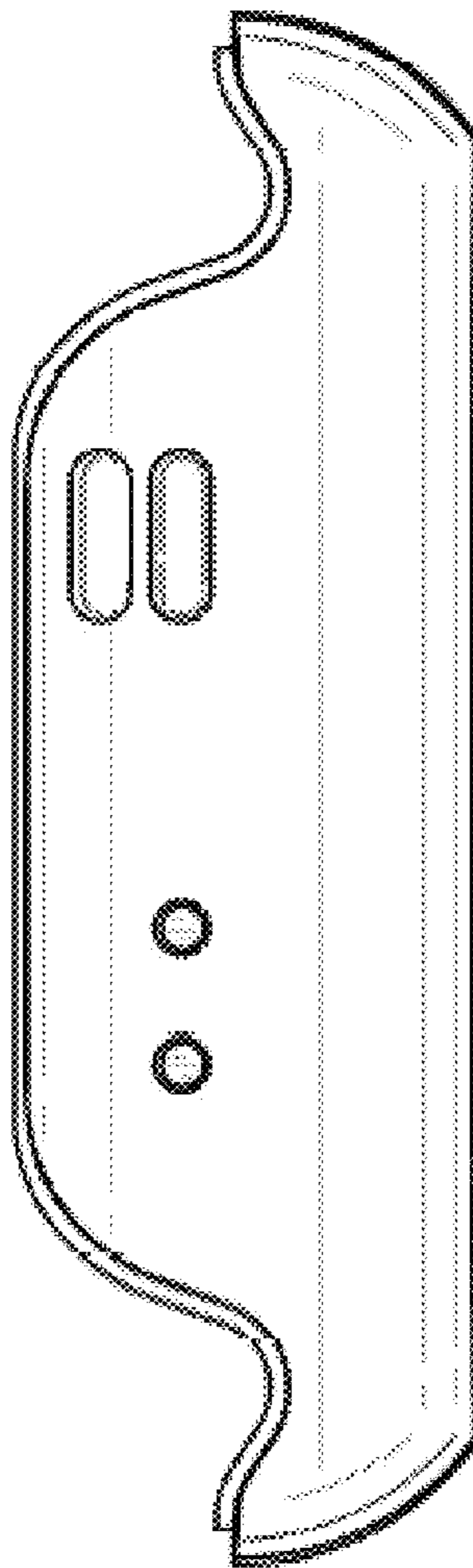


FIG. 4

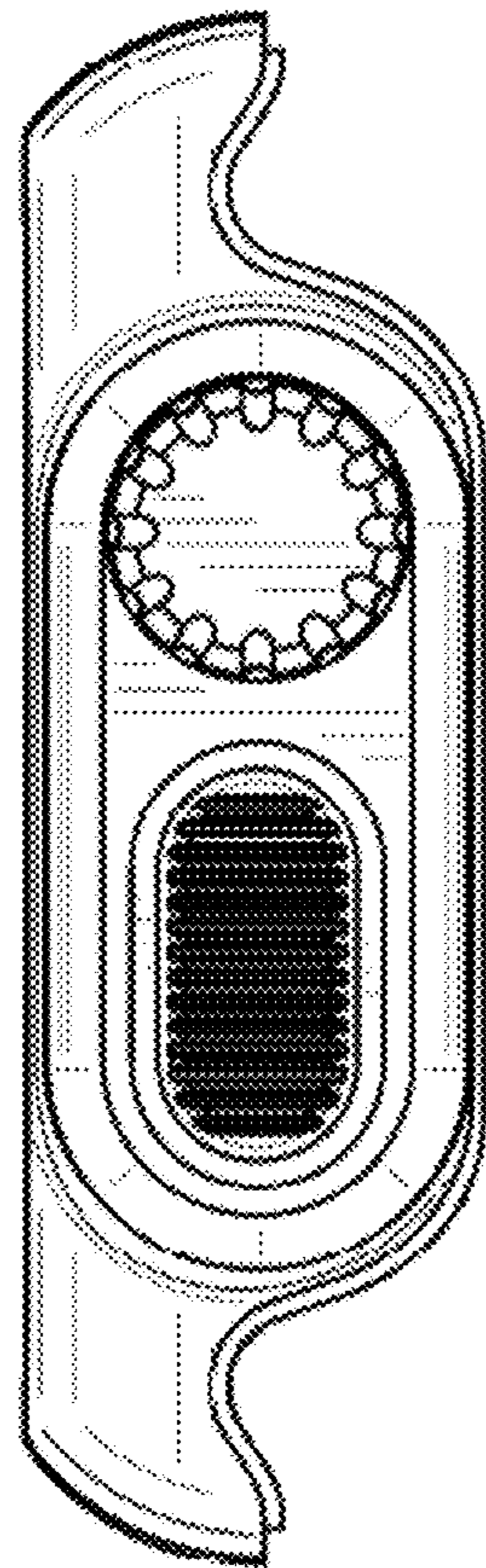


FIG. 5

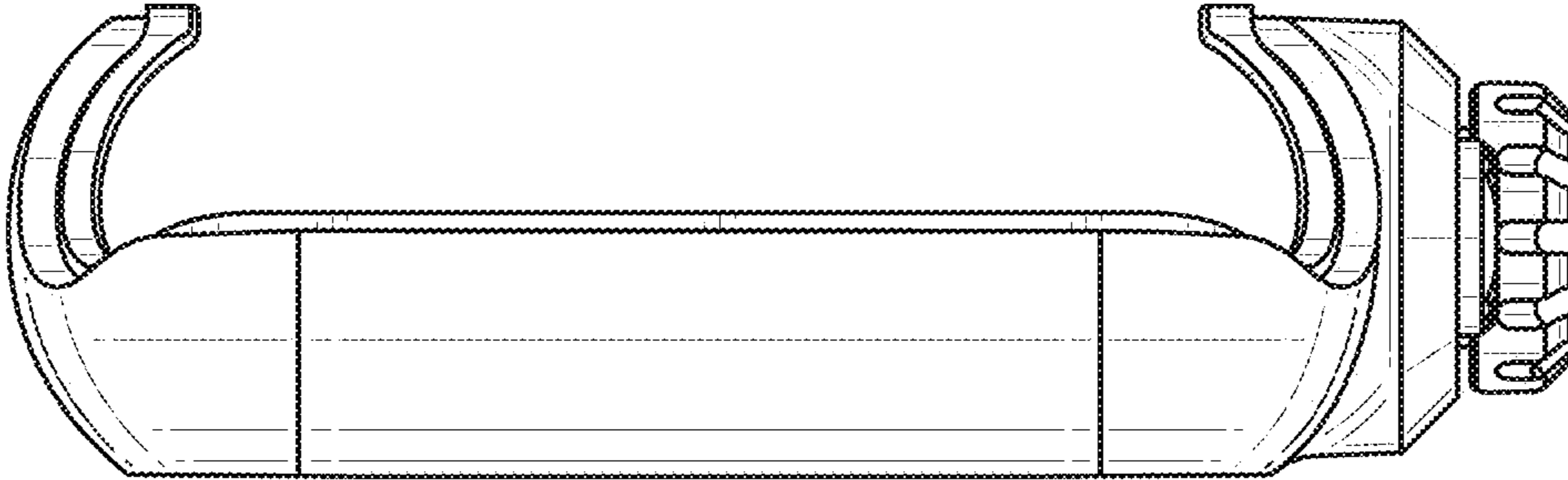


FIG. 6

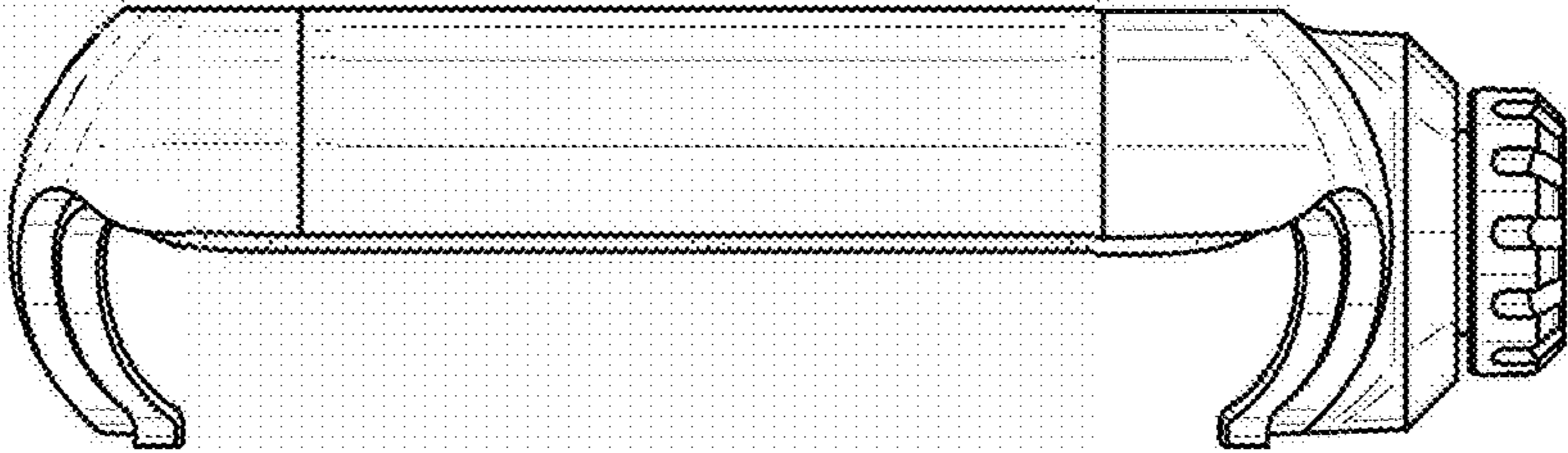


FIG. 7

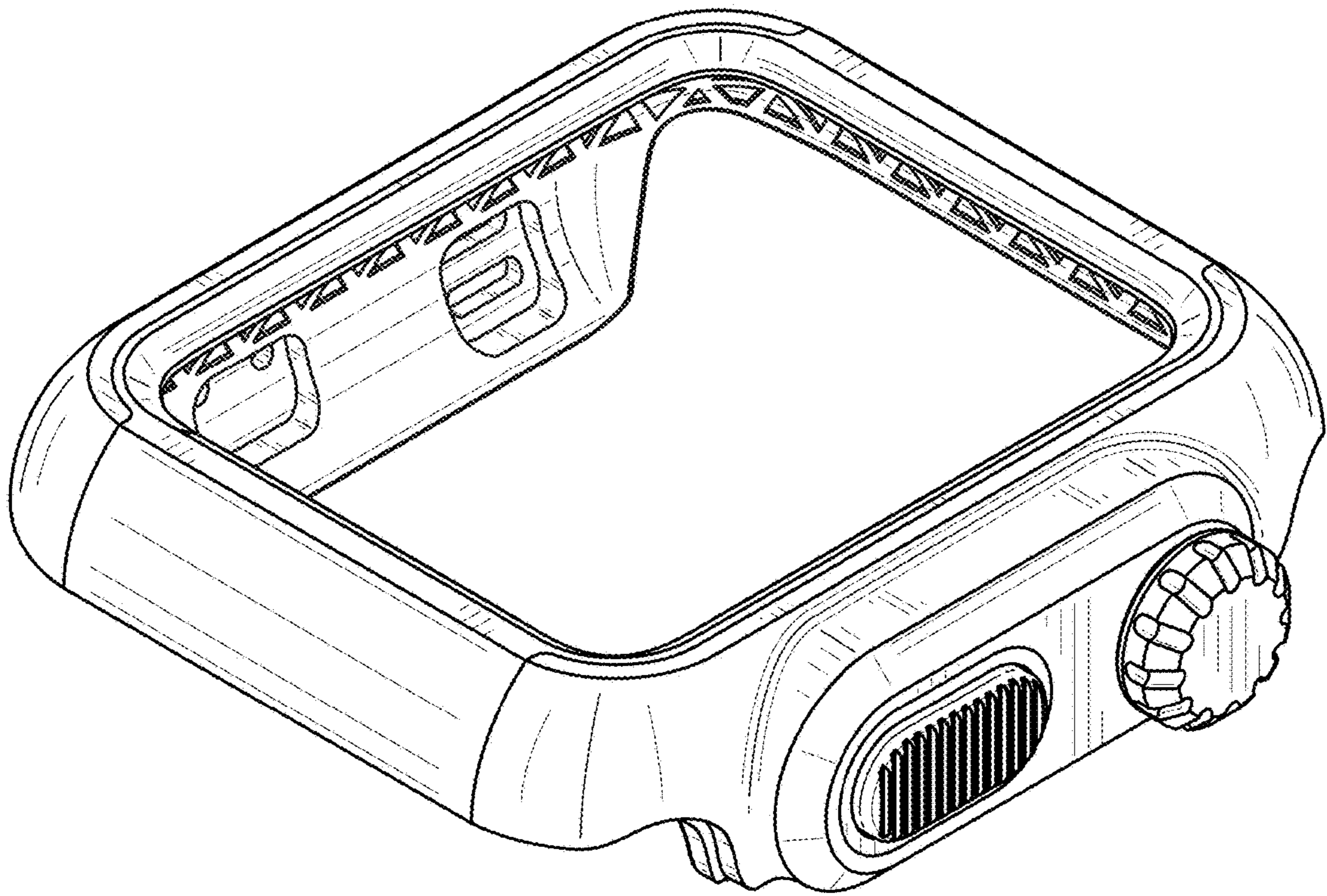


FIG. 8

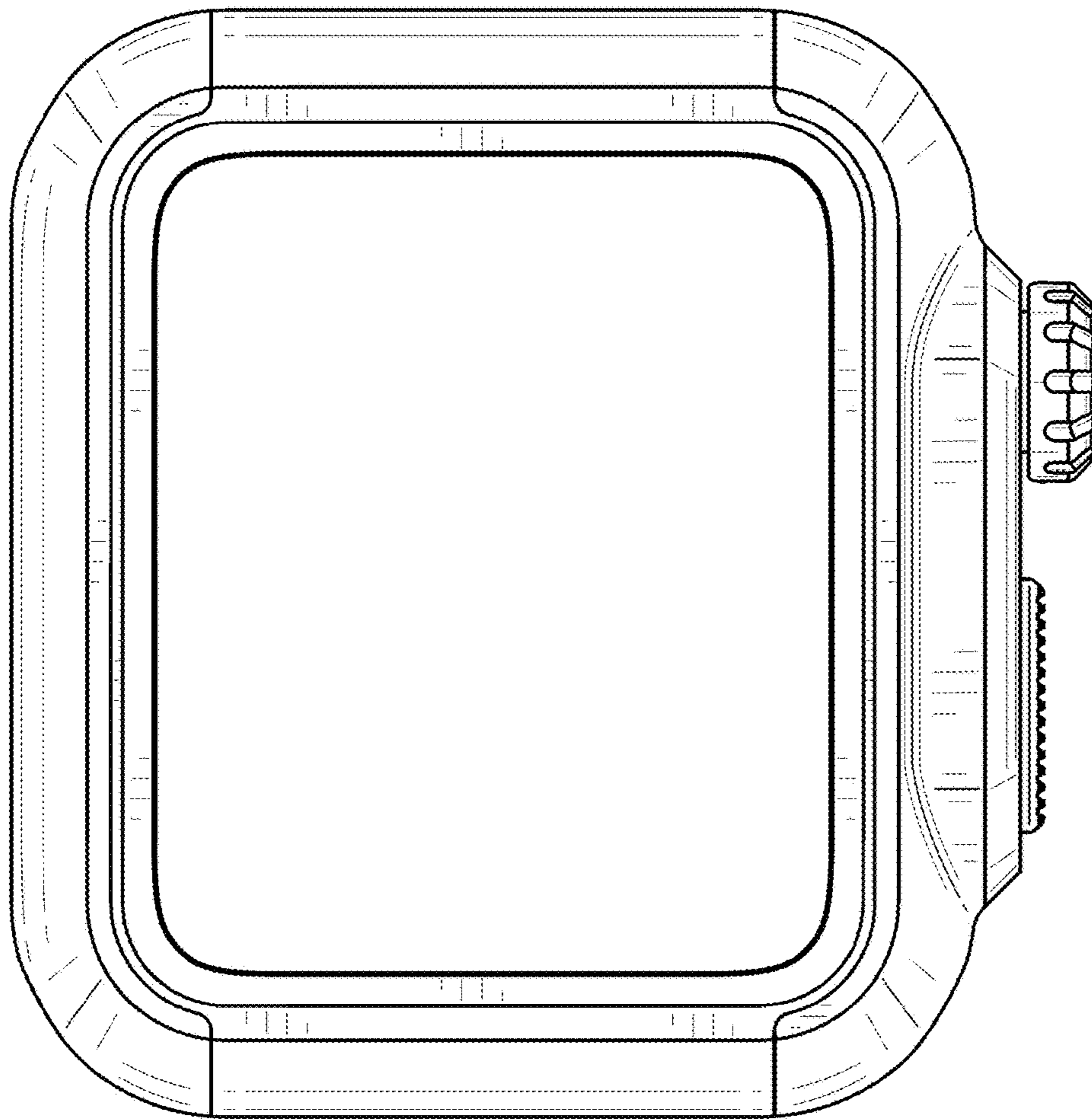


FIG. 9

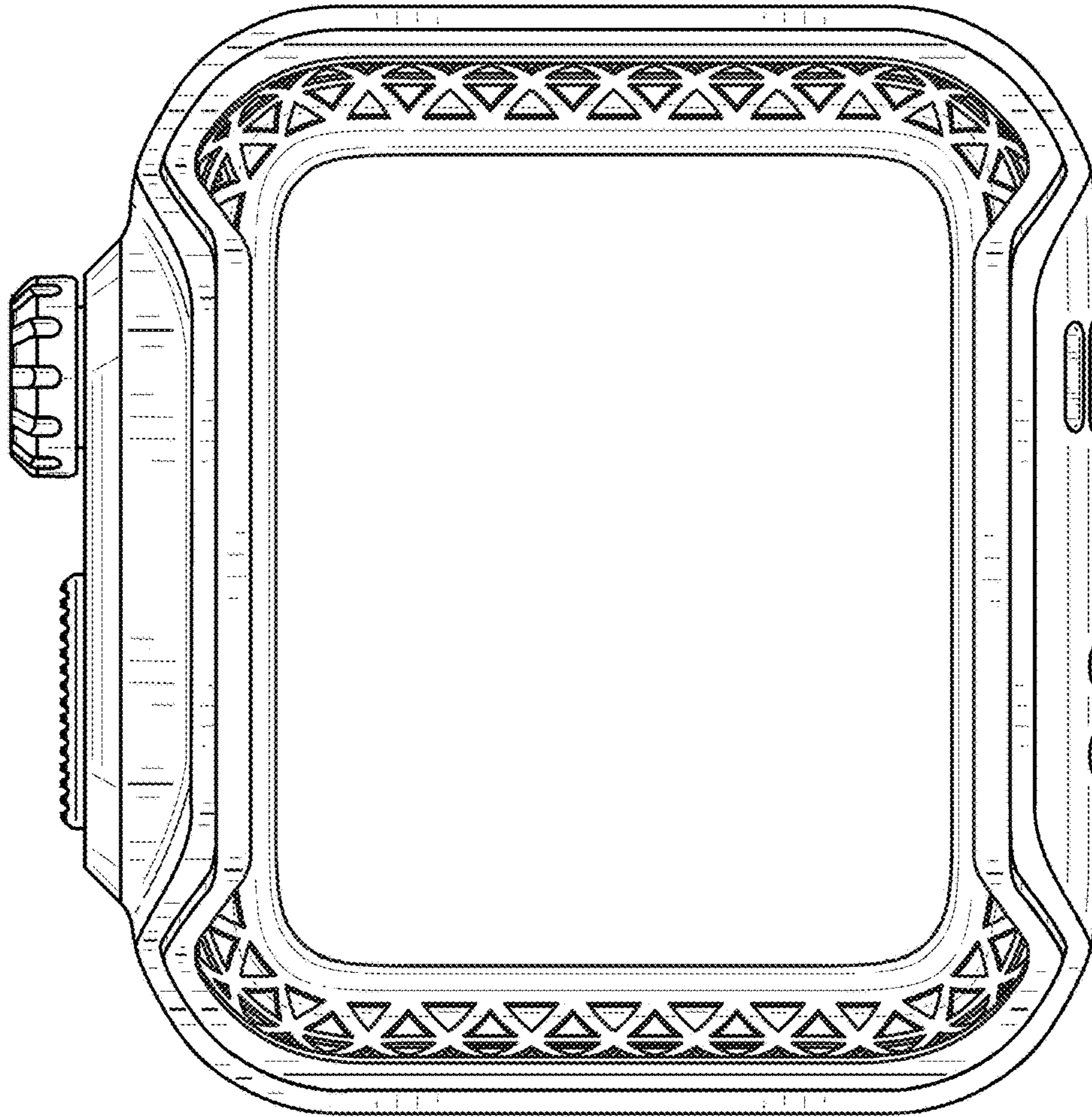


FIG. 10

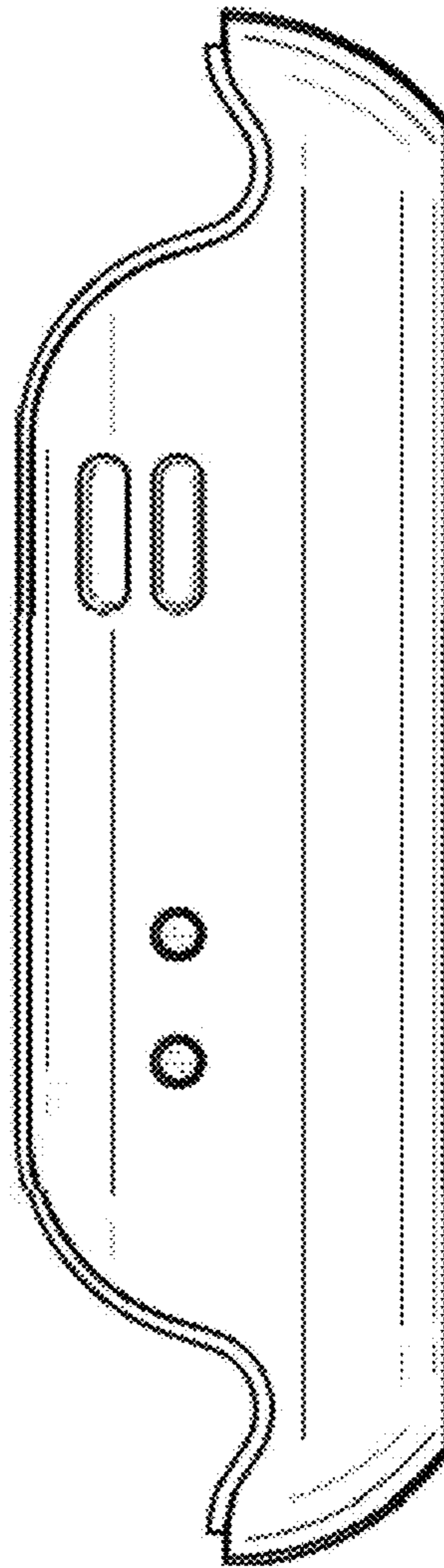


FIG. 11

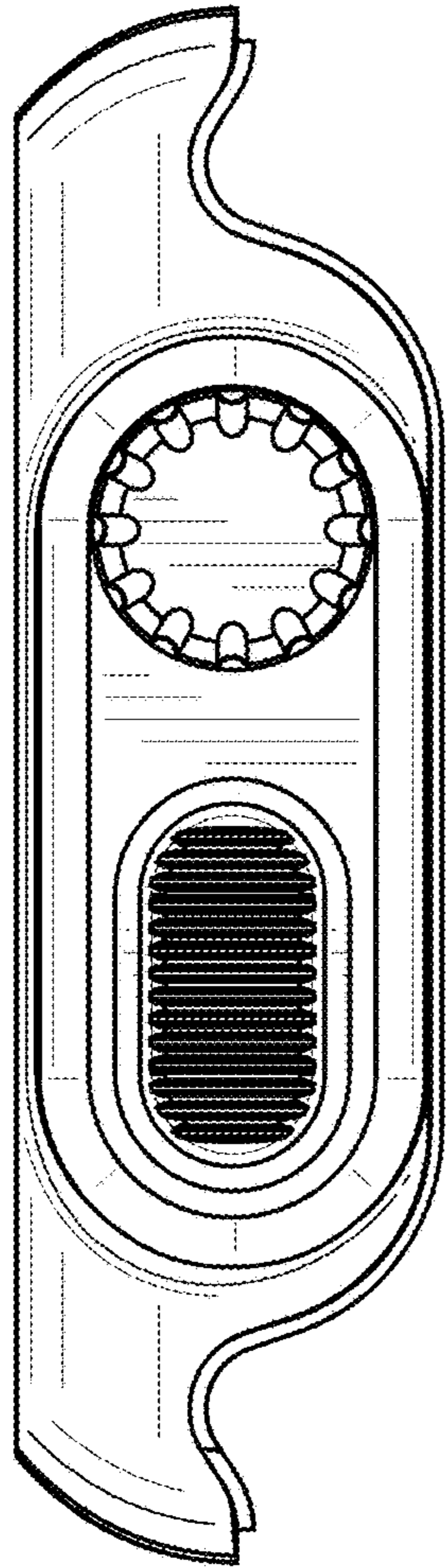


FIG. 12

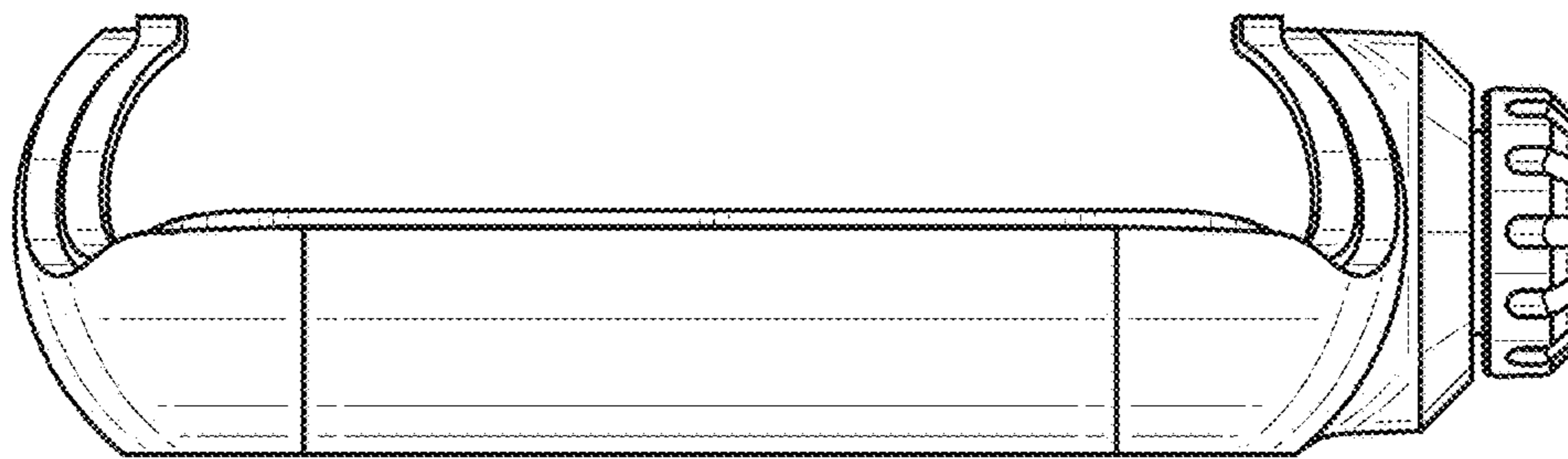


FIG. 13

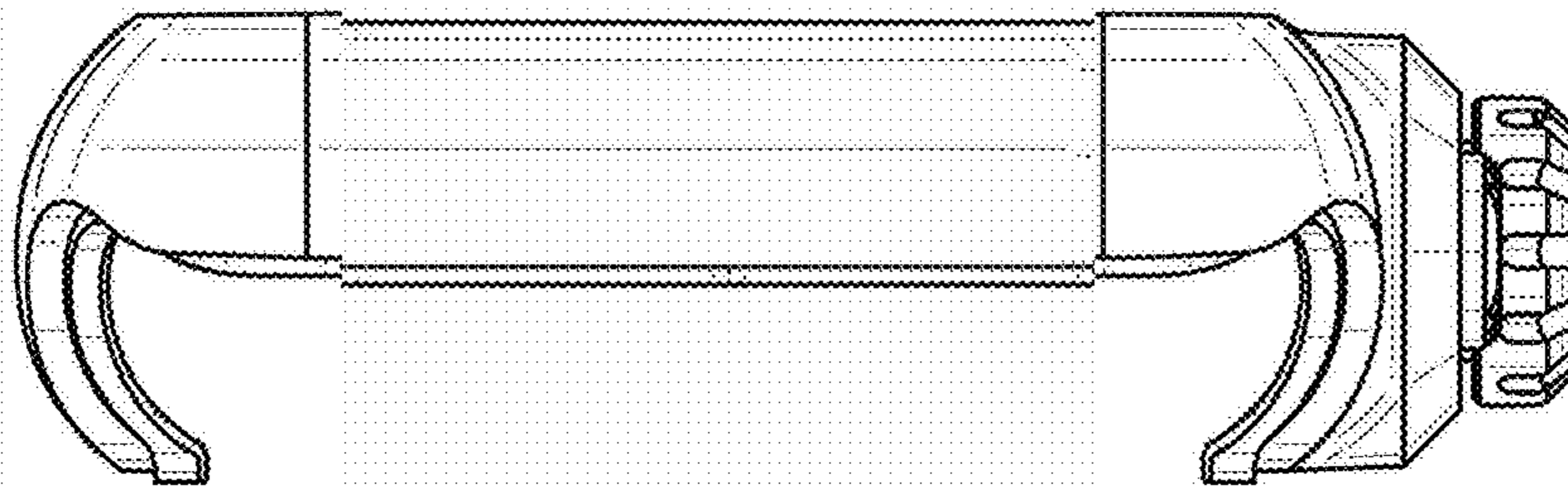


FIG. 14