



US00D853877S

(12) **United States Design Patent** (10) **Patent No.:** **US D853,877 S**  
**Sakhai** (45) **Date of Patent:** **\*\* Jul. 16, 2019**

(54) **MULTI-SIDED WHISTLE**

(71) Applicant: **Victoria Sakhai**, New York, NY (US)

(72) Inventor: **Victoria Sakhai**, New York, NY (US)

(\*\*) Term: **15 Years**

(21) Appl. No.: **29/591,812**

(22) Filed: **Jan. 24, 2017**

(51) **LOC (11) Cl.** ..... **10-06**

(52) **U.S. Cl.**  
USPC ..... **D10/119.3**

(58) **Field of Classification Search**  
USPC ..... D10/104.1, 116.1, 119.2, 119.3, 119.4  
CPC ..... G10K 5/00; G10K 5/02  
See application file for complete search history.

(56) **References Cited**

**U.S. PATENT DOCUMENTS**

D25,238 S *	3/1896	Abell	.....	D10/119.3
603,555 A *	5/1898	Davis	.....	G10D 7/02
				D10/119.3
D42,832 S *	7/1912	Cameron	.....	D10/119.3
D263,383 S *	3/1982	Moore	.....	D10/119.2
D279,461 S *	7/1985	Lafreniere	.....	D10/119.3
D286,063 S *	10/1986	Valentine	.....	D10/119.2
D601,625 S *	10/2009	Yeh	.....	D10/119.3

**OTHER PUBLICATIONS**

@voixnewyork, Sep. 29, 2016, published on Instagram.com [retrieved on Jan. 24, 2019]. Retrieved from the internet: <URL: <https://www.instagram.com/p/BK9YifLj6dn>> (Year: 2016).\*

\* cited by examiner

*Primary Examiner* — George D. Kirschbaum

*Assistant Examiner* — Joseph J Kukella

(74) *Attorney, Agent, or Firm* — Dunlap Bennett & Ludwig PLLC; Brendan E. Squire

(57) **CLAIM**

The ornamental design for a multi-sided whistle, as shown and described.

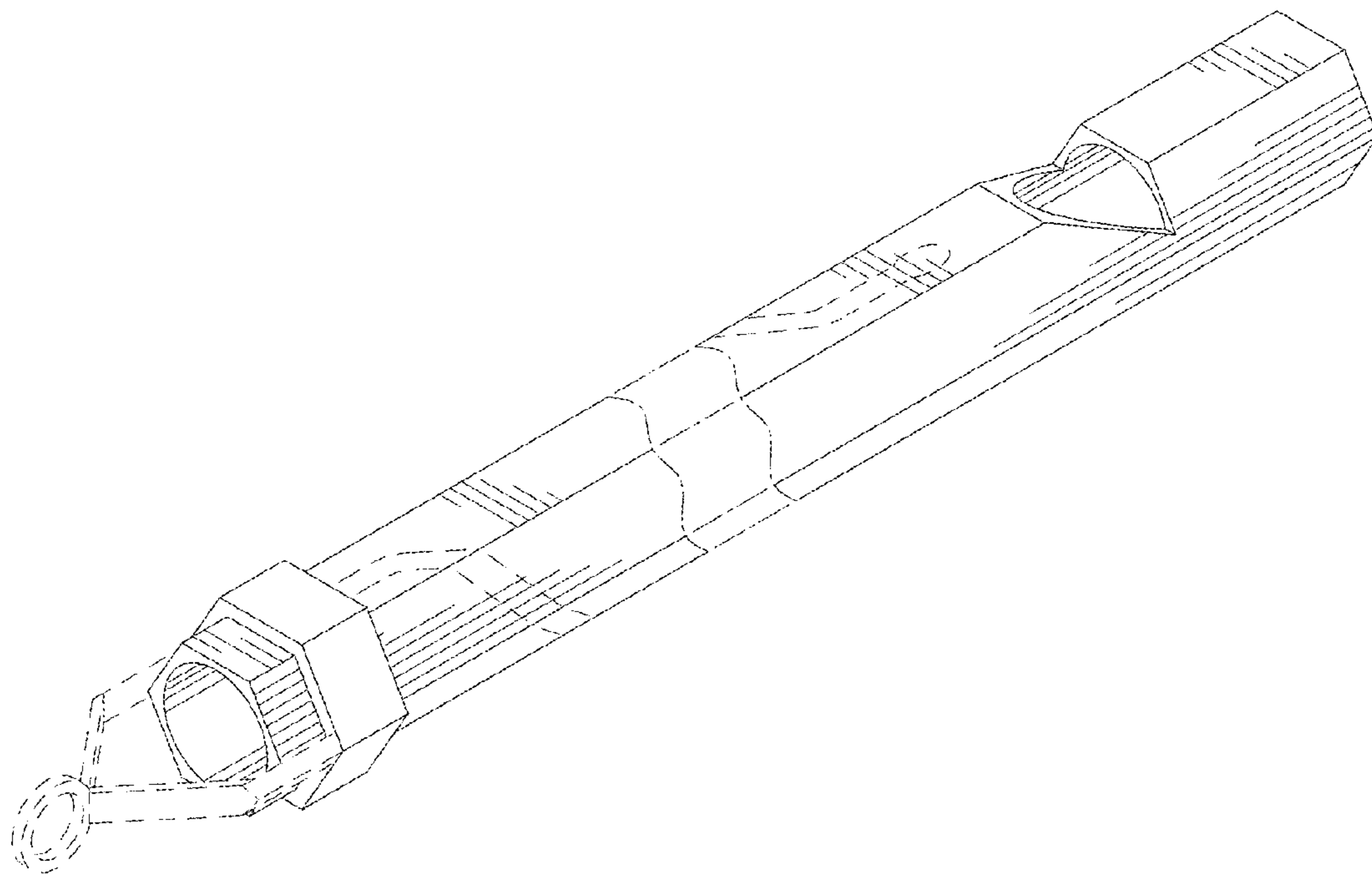
**DESCRIPTION**

FIG. 1 is a top front perspective view of the multi-sided whistle showing my new design; FIG. 2 is a right elevation view thereof; FIG. 3 is a left elevation view thereof; FIG. 4 is a front elevation view thereof; FIG. 5 is a rear elevation view thereof; FIG. 6 is a top elevation view thereof; and, FIG. 7 is a bottom elevation view thereof.

The dash-dash broken lines shown in the drawings illustrate portions of the article that form no part of the claimed design, it being understood that the surface which lies beneath the broken lines that cross over the solid line claim is part of the claimed design.

The article is shown with a symbolic break in length, depicted by dot-dash broken lines. The appearance of any portion of the article between the break lines forms no part of the claimed design.

**1 Claim, 3 Drawing Sheets**



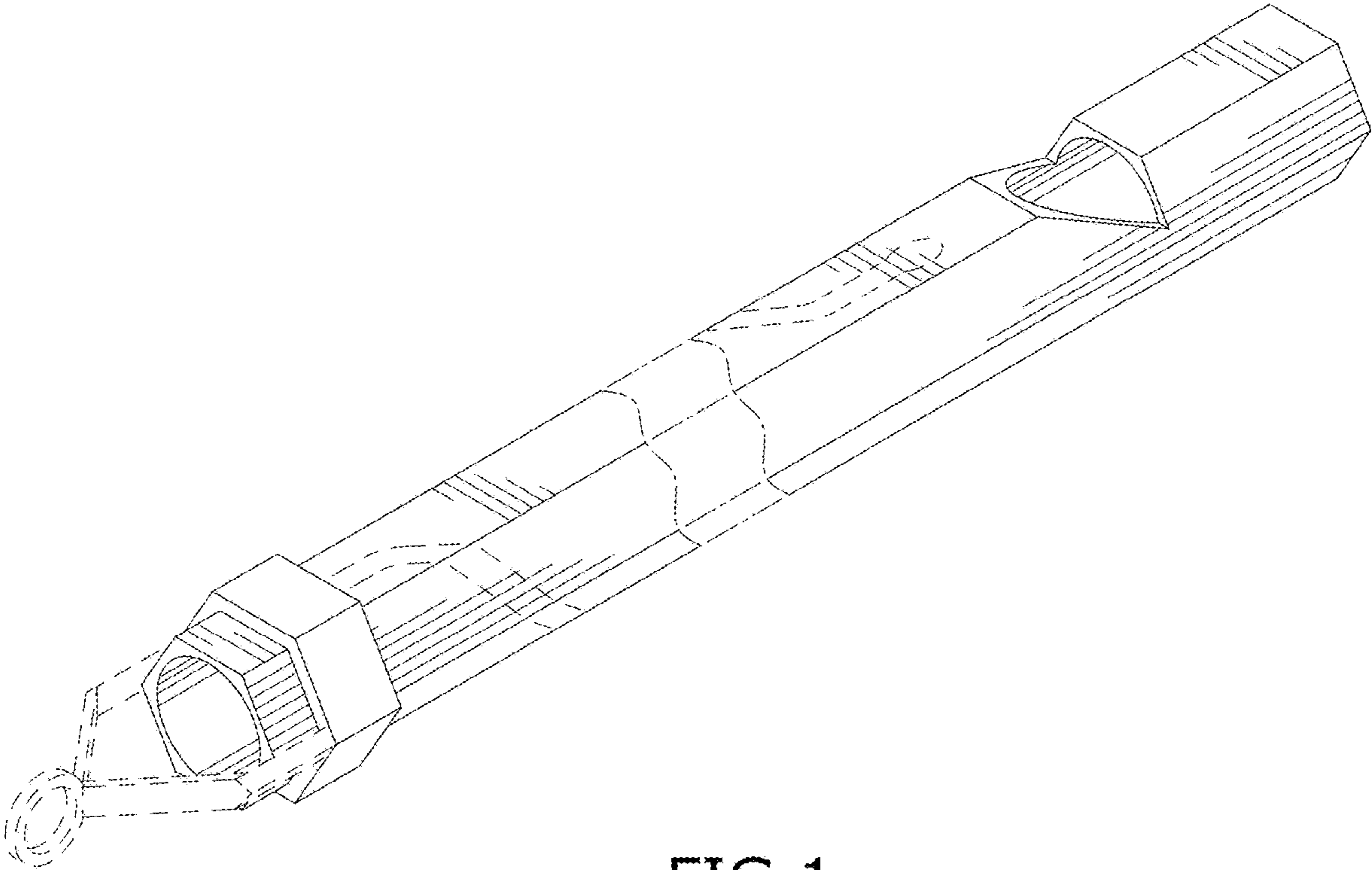


FIG. 1

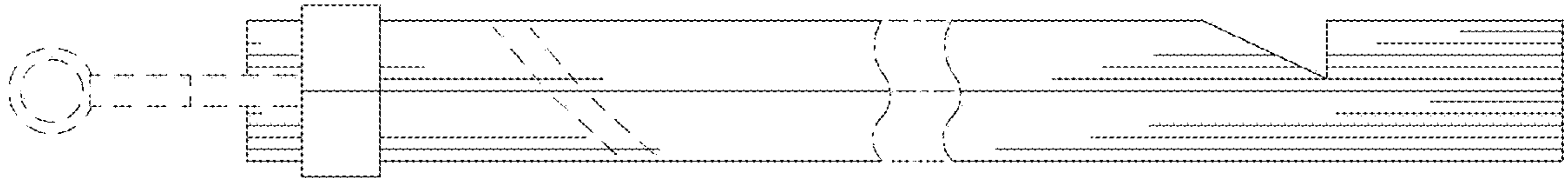


FIG. 2

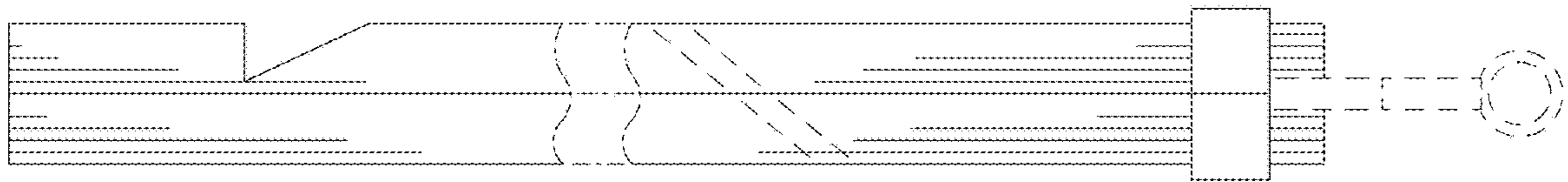


FIG. 3

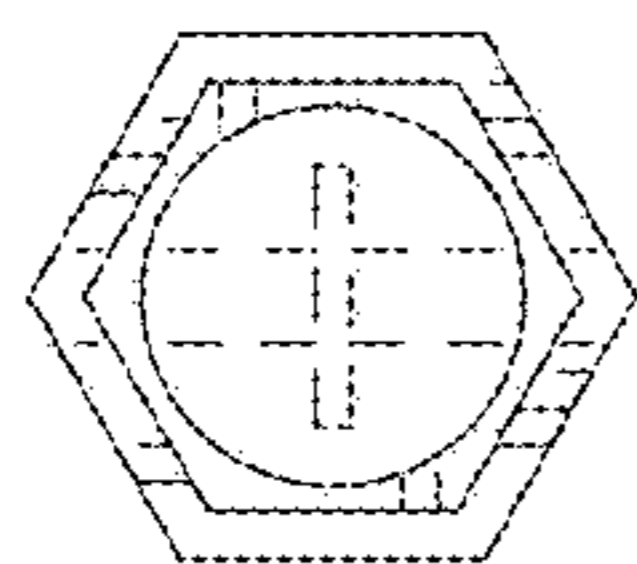


FIG. 4

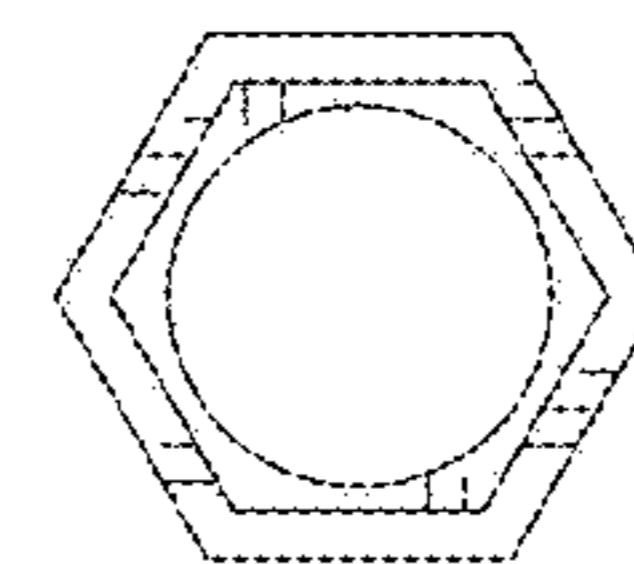


FIG. 5

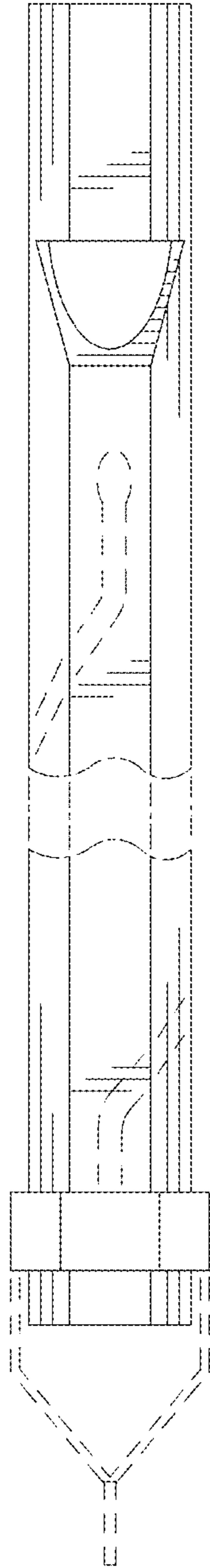


FIG. 6

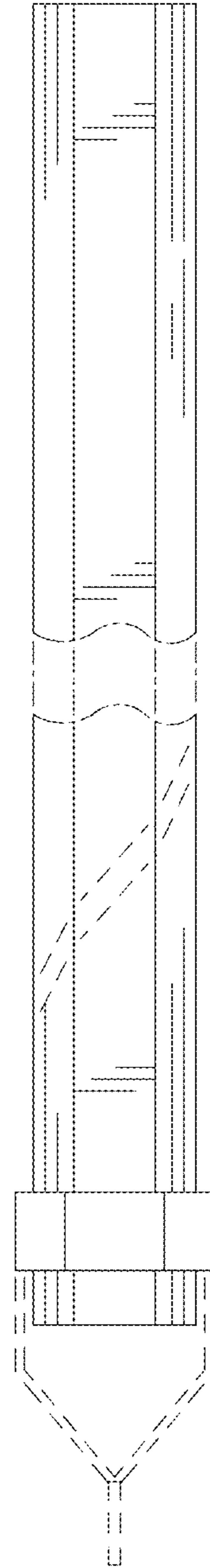


FIG. 7