



US00D853876S

(12) **United States Design Patent** (10) **Patent No.:** **US D853,876 S**
Noe (45) **Date of Patent:** **** Jul. 16, 2019**

(54) **ELECTRONIC HUNTING CALL**
(71) Applicant: **Tim Noe**, Hudson, WI (US)
(72) Inventor: **Tim Noe**, Hudson, WI (US)
(73) Assignee: **Expedite International, Inc.**, Baldwin, WI (US)

D772,094 S * 11/2016 Kruska H04R 1/323
D10/119.1
9,756,417 B1 * 9/2017 Schnell H04R 1/323
2005/0268521 A1 * 12/2005 Cox F41G 1/38
42/130
2012/0008464 A1 * 1/2012 Barley A01M 31/004
367/197

(**) Term: **15 Years**

* cited by examiner

(21) Appl. No.: **29/594,712**

Primary Examiner — George D. Kirschbaum

(22) Filed: **Feb. 22, 2017**

Assistant Examiner — Joseph J Kukella

(51) **LOC (11) Cl.** **10-05**

(74) *Attorney, Agent, or Firm* — Skinner and Associates;
Joel Skinner

(52) **U.S. Cl.**
USPC **D10/119.1**

(57) **CLAIM**

The ornamental design for an electronic hunting call, as shown and described.

(58) **Field of Classification Search**
USPC D10/119.1, 119.2; D22/199; D14/204,
D14/214
CPC A01M 31/004; A63H 5/00; G10D 9/00;
H04R 1/02; H04R 1/021
See application file for complete search history.

DESCRIPTION

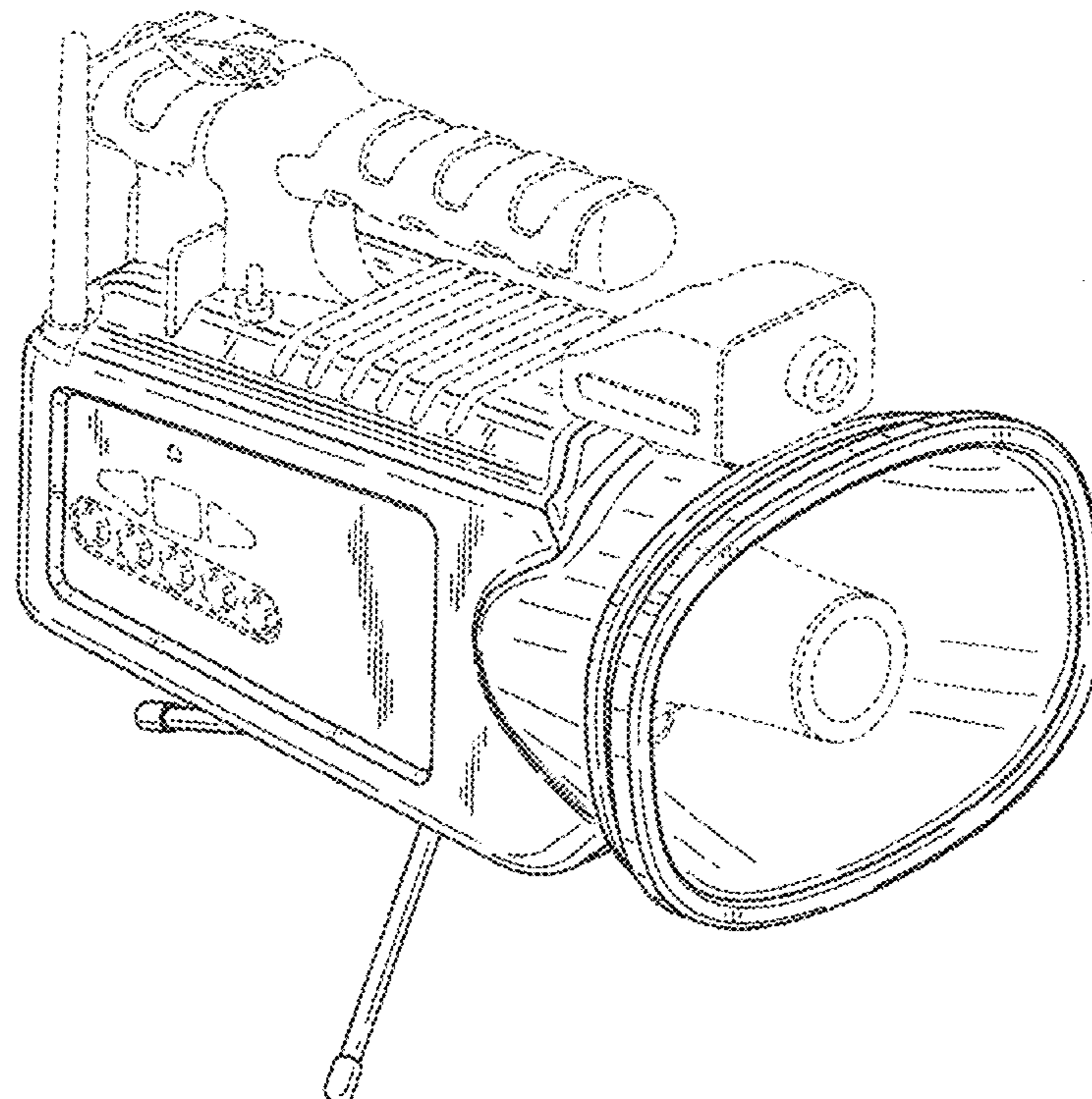
FIG. 1 is a perspective view of an electronic hunting call showing an embodiment of the design of the invention.
FIG. 2 is a front view thereof.
FIG. 3 is a back view thereof.
FIG. 4 is a side view thereof.
FIG. 5 is an opposite side view thereof.
FIG. 6 is a top view thereof; and,
FIG. 7 is a bottom view thereof.
In the drawings, the broken lines depict environmental subject matter only and form no part of the claimed design.

(56) **References Cited**

U.S. PATENT DOCUMENTS

D641,273 S * 7/2011 Barley D10/119.1
D641,275 S * 7/2011 Barley D10/119.1
D700,099 S * 2/2014 Barley D10/119.1
D772,092 S * 11/2016 Hageman D10/119.1
D772,093 S * 11/2016 Kruska A01M 31/004
D10/119.1

1 Claim, 6 Drawing Sheets



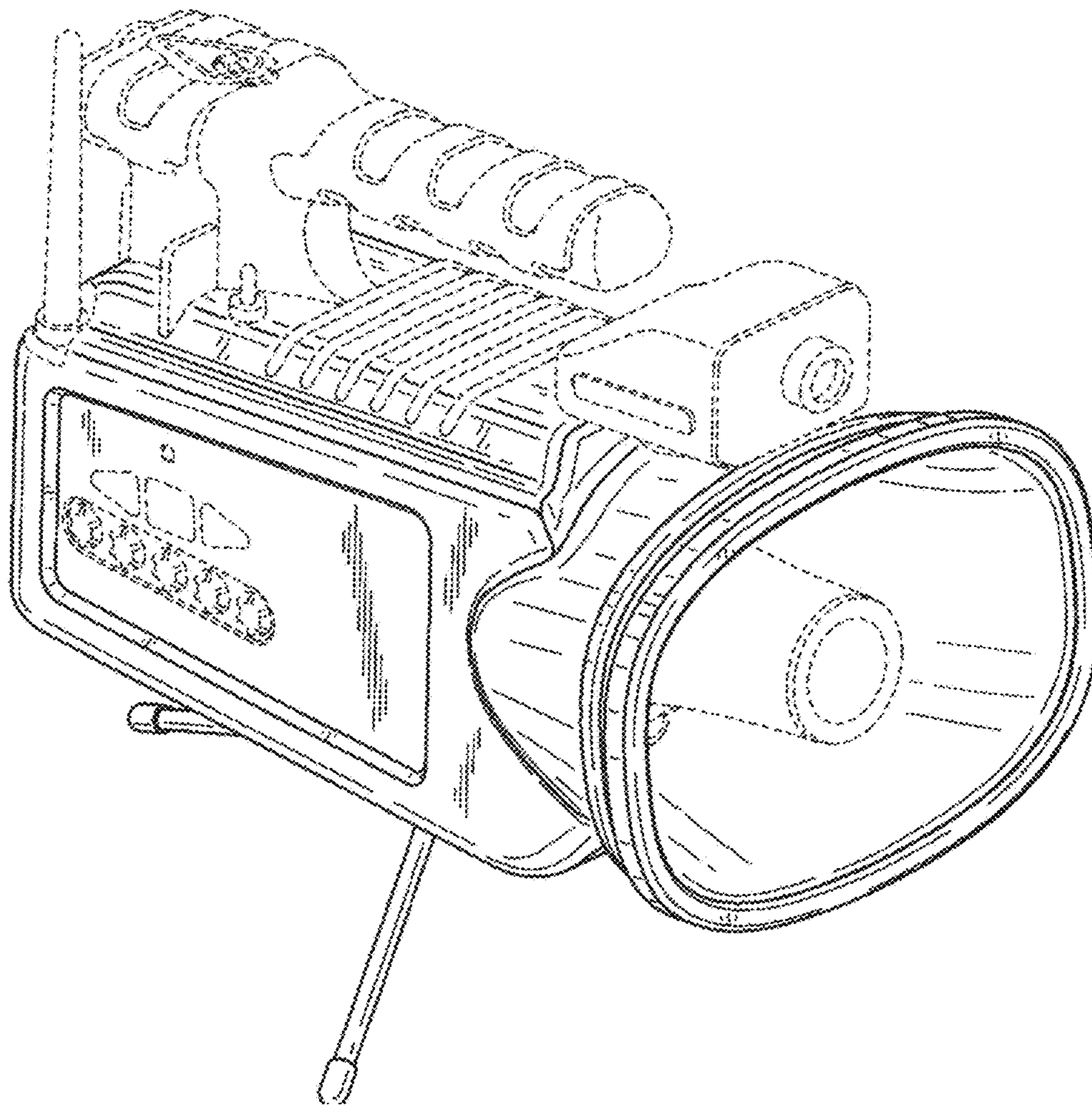


FIG. 1

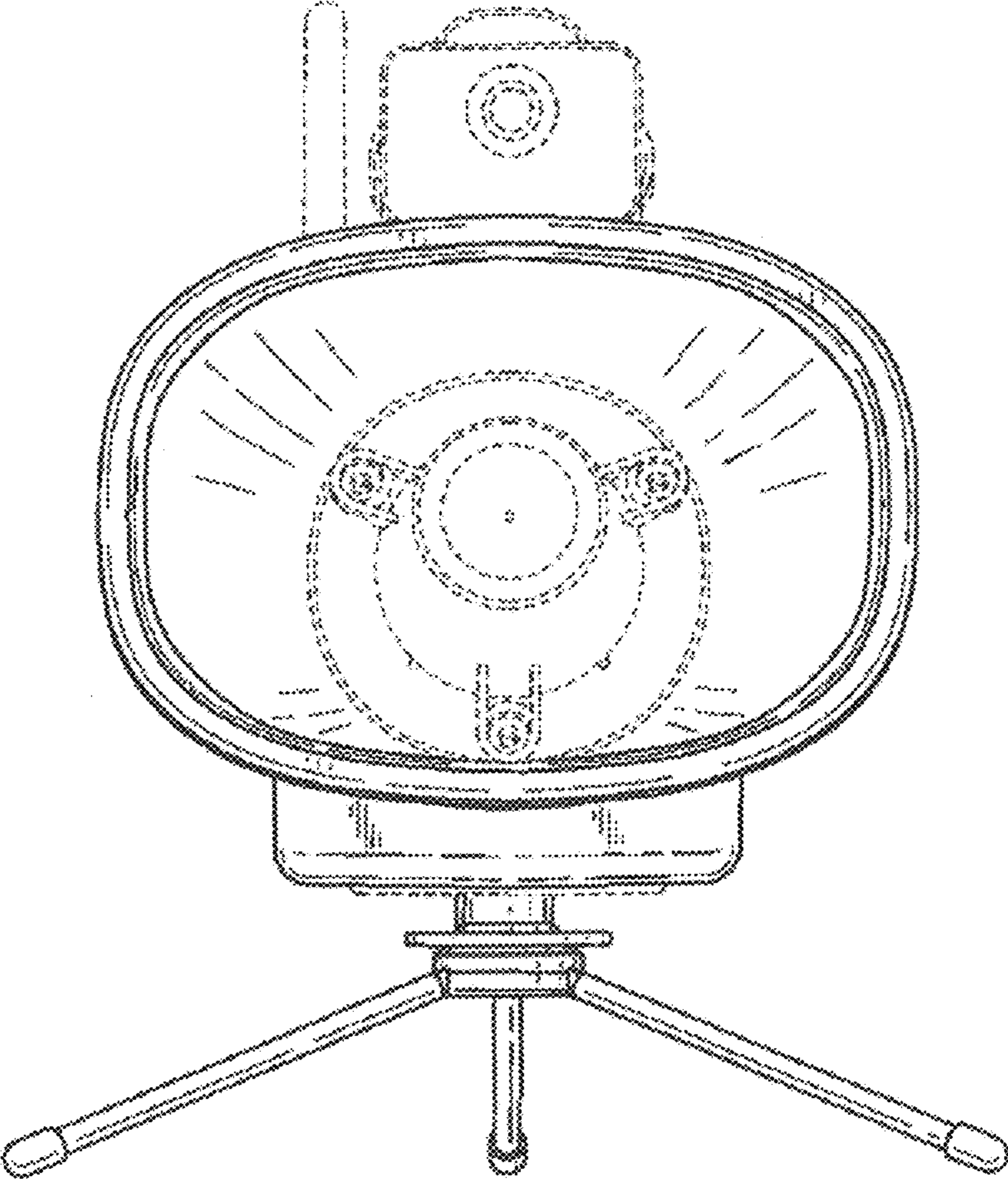


FIG. 2

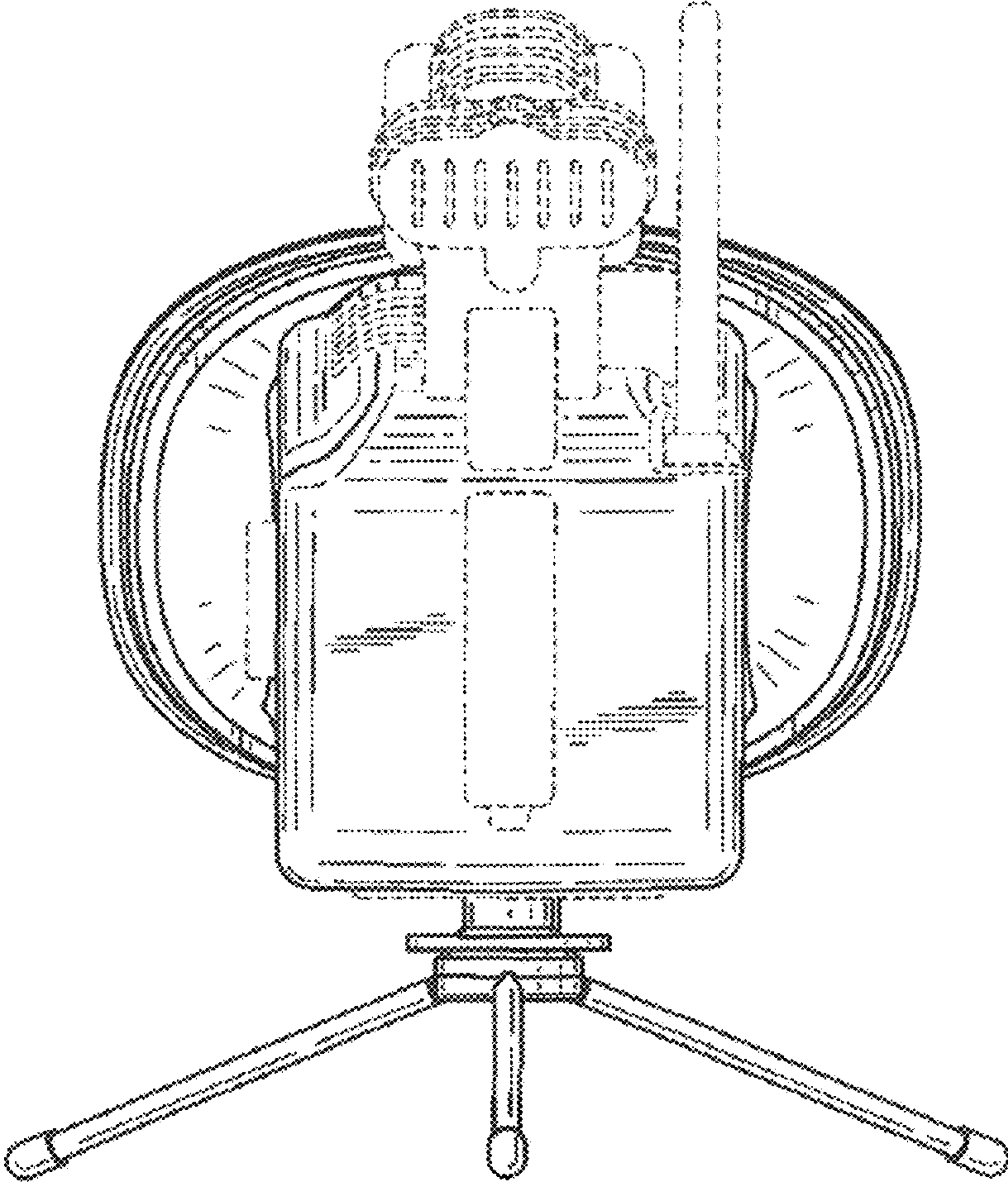


FIG. 3

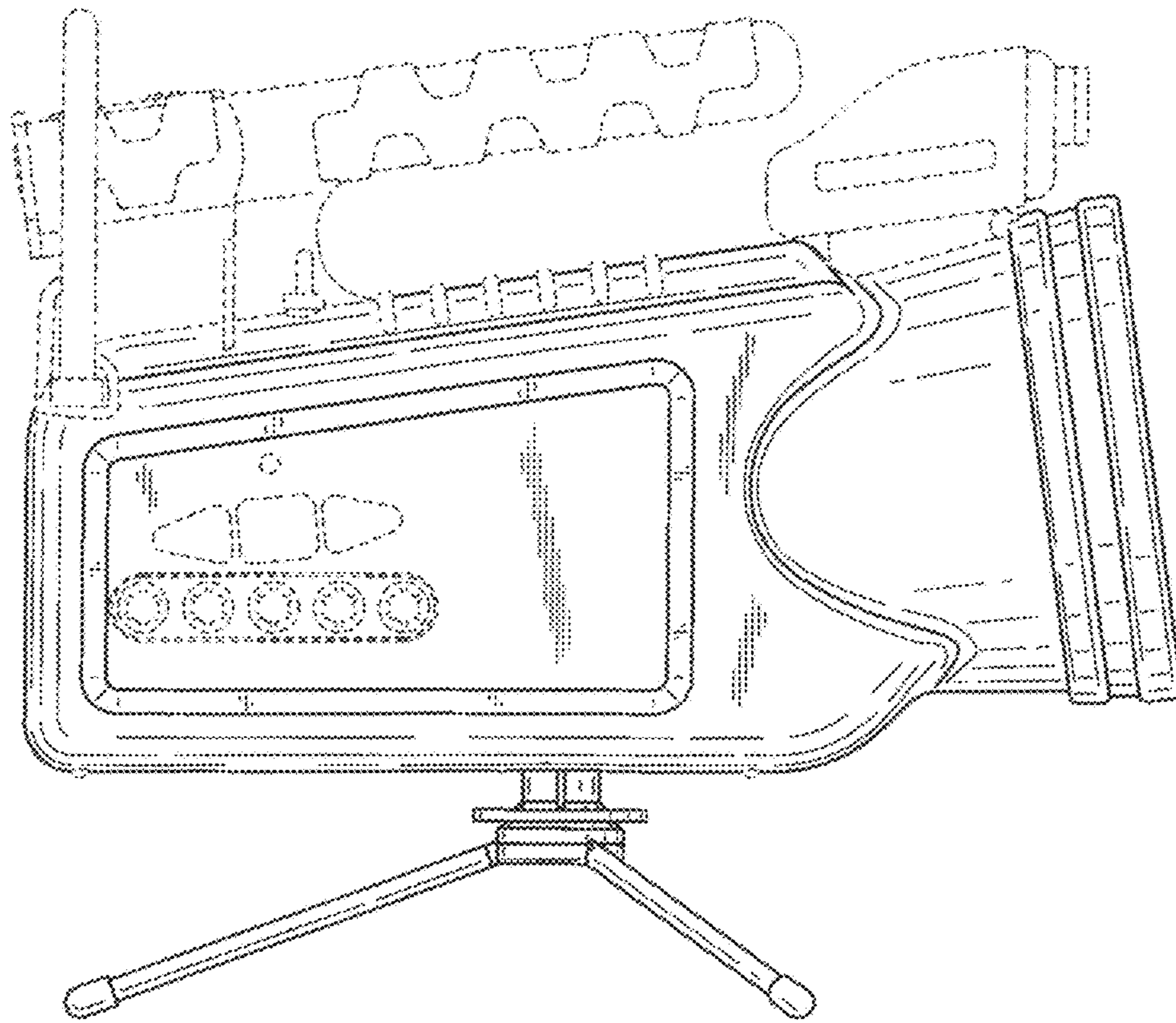


FIG. 4

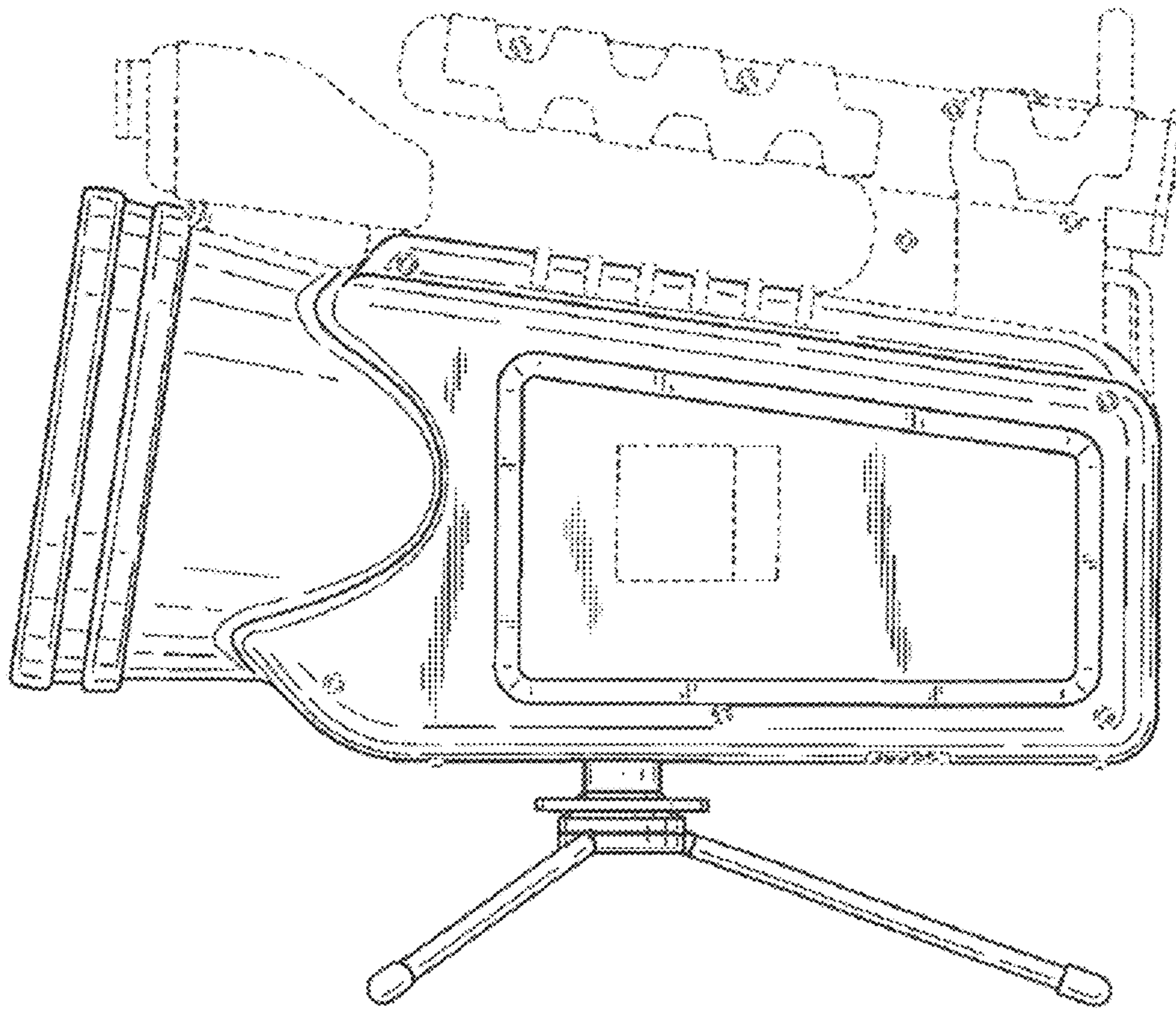


FIG. 5

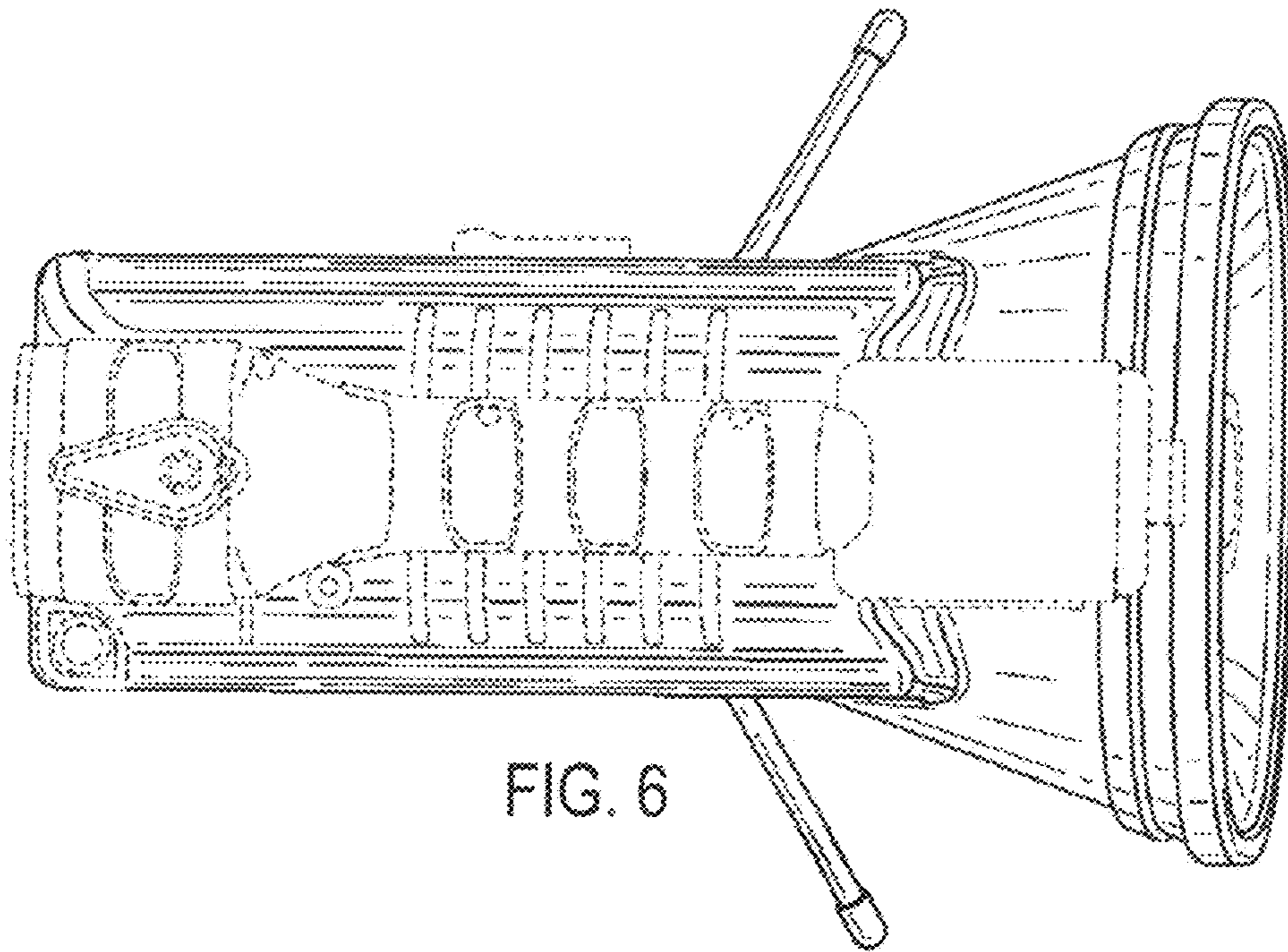


FIG. 6

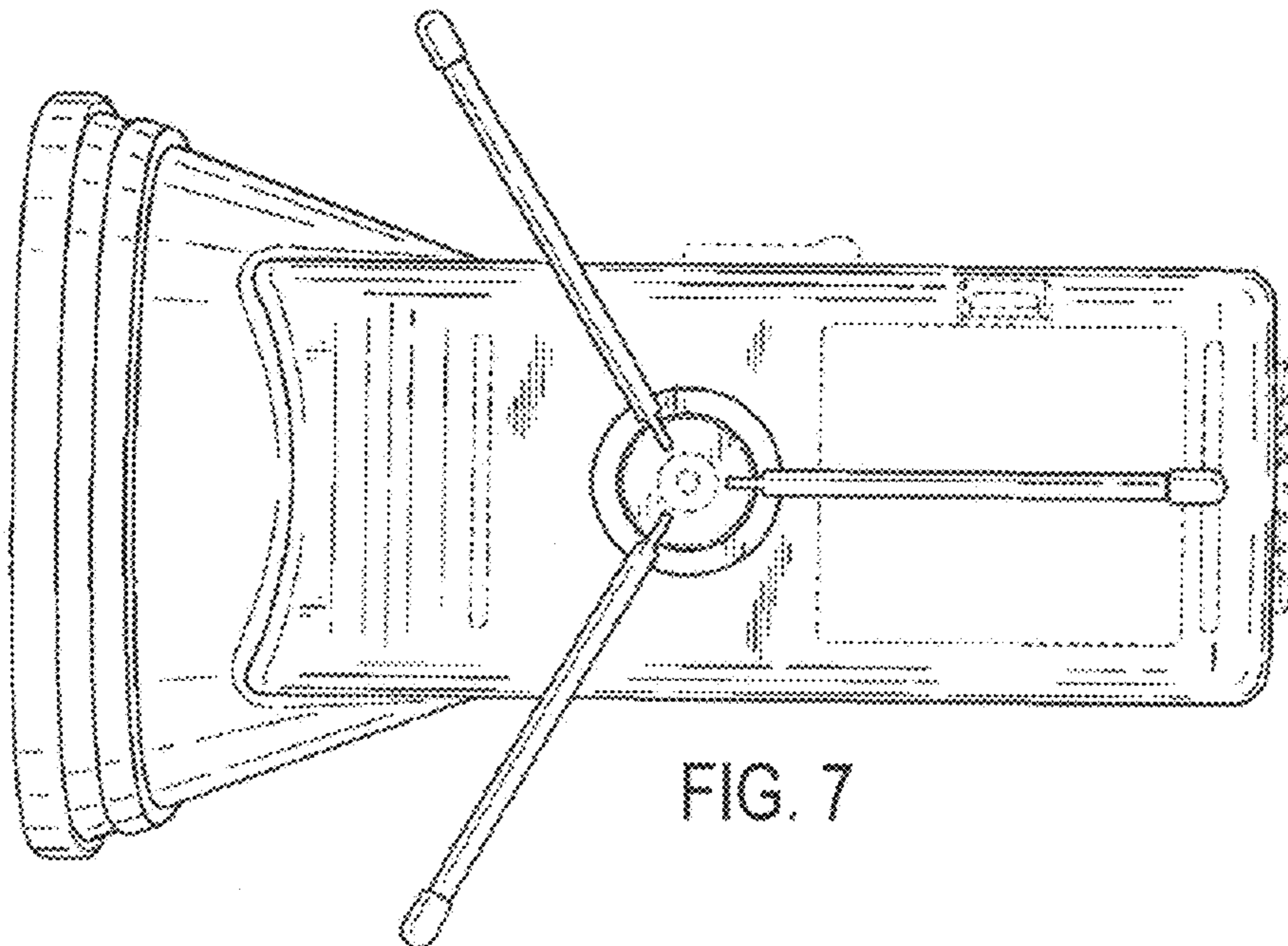


FIG. 7