



US00D853875S

(12) **United States Design Patent**  
**Stein**

(10) **Patent No.:** **US D853,875 S**

(45) **Date of Patent:** **\*\* Jul. 16, 2019**

(54) **WARNING LIGHT**

(71) Applicant: **Code 3, Inc.**, St. Louis, MO (US)

(72) Inventor: **Paul L. Stein**, O'Fallon, MO (US)

(73) Assignee: **Code 3, Inc.**, St. Louis, MO (US)

(\*\*) Term: **15 Years**

(21) Appl. No.: **29/637,352**

(22) Filed: **Feb. 15, 2018**

(51) **LOC (11) Cl.** ..... **10-05**

(52) **U.S. Cl.**  
USPC ..... **D10/114.1**

(58) **Field of Classification Search**  
USPC ..... D10/104.1, 109.1, 109.2, 110, 111,  
D10/114.1-114.8; D26/28, 35, 36, 102,  
D26/104, 118, 120, 122; D12/401, 406,  
D12/412, 414, 190  
CPC ..... F21W 2101/02; F21W 2101/10; F21W  
2101/14  
See application file for complete search history.

(56) **References Cited**

**U.S. PATENT DOCUMENTS**

D457,457 S *	5/2002	Povey	.....	G08B 5/38 D10/114.1
D589,835 S *	4/2009	Pokorny	.....	D10/110
D589,836 S *	4/2009	Pokorny	.....	D10/110
D591,187 S *	4/2009	Pokorny	.....	D10/110
D591,188 S *	4/2009	Pokorny	.....	D10/110
D592,985 S *	5/2009	Barnett	.....	D10/114.1
D594,768 S *	6/2009	Barnett	.....	D10/114.1
D595,172 S *	6/2009	Pokorny	.....	D10/114.1

D610,931 S *	3/2010	Lyons	.....	D10/114.1
D682,133 S *	5/2013	Chen	.....	D10/114.1
D736,433 S *	8/2015	Kuei-Lai	.....	D10/114.1
D736,970 S *	8/2015	Kuei-Lai	.....	D10/114.1
D825,368 S *	8/2018	Kuo	.....	D10/114.1
D828,199 S *	9/2018	Liu	.....	G08B 5/38 D10/114.1

\* cited by examiner

*Primary Examiner* — George D. Kirschbaum

*Assistant Examiner* — Joseph J. Kukella

(74) *Attorney, Agent, or Firm* — Stoel Rives LLP; Robert R. Teel

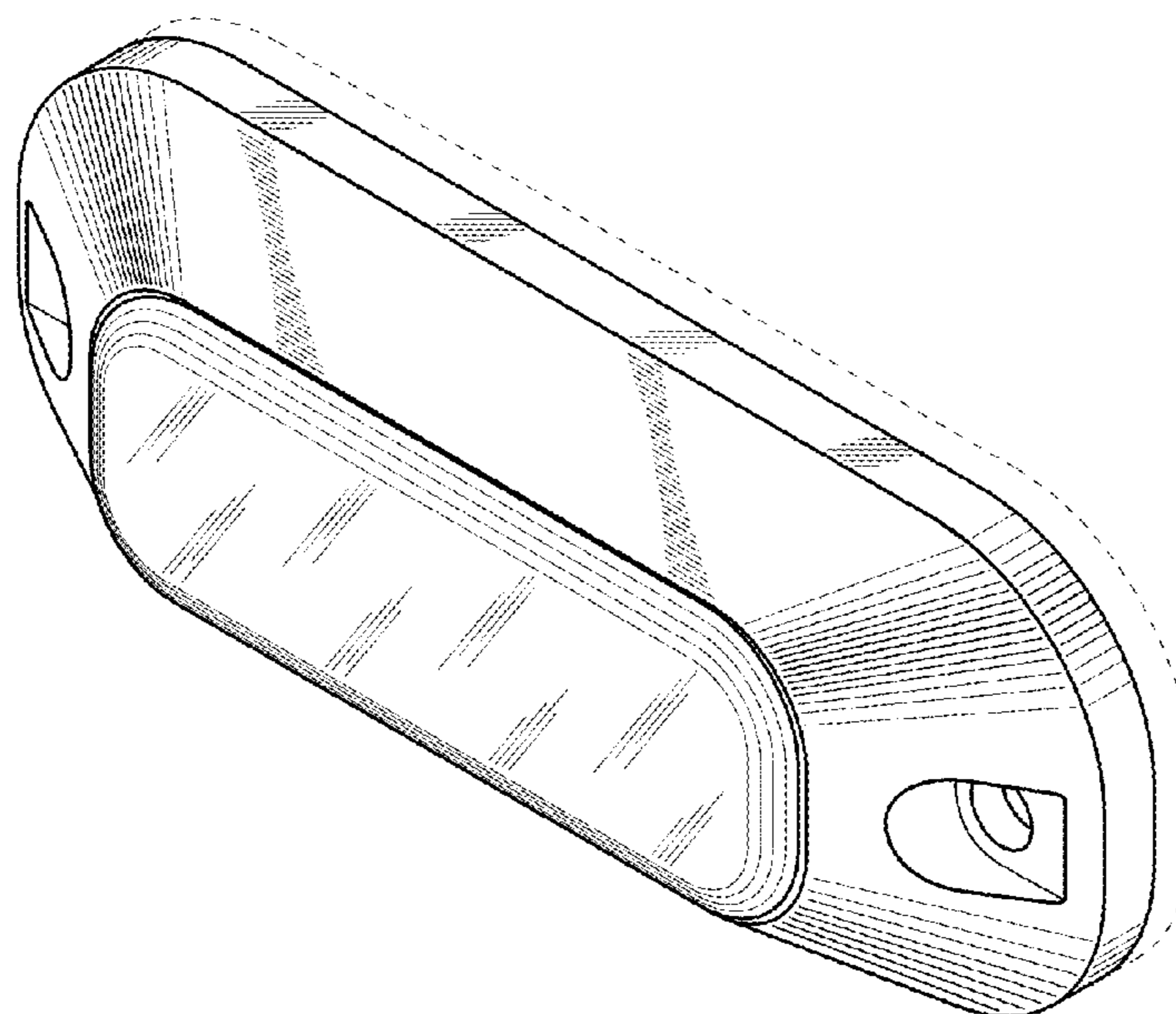
(57) **CLAIM**

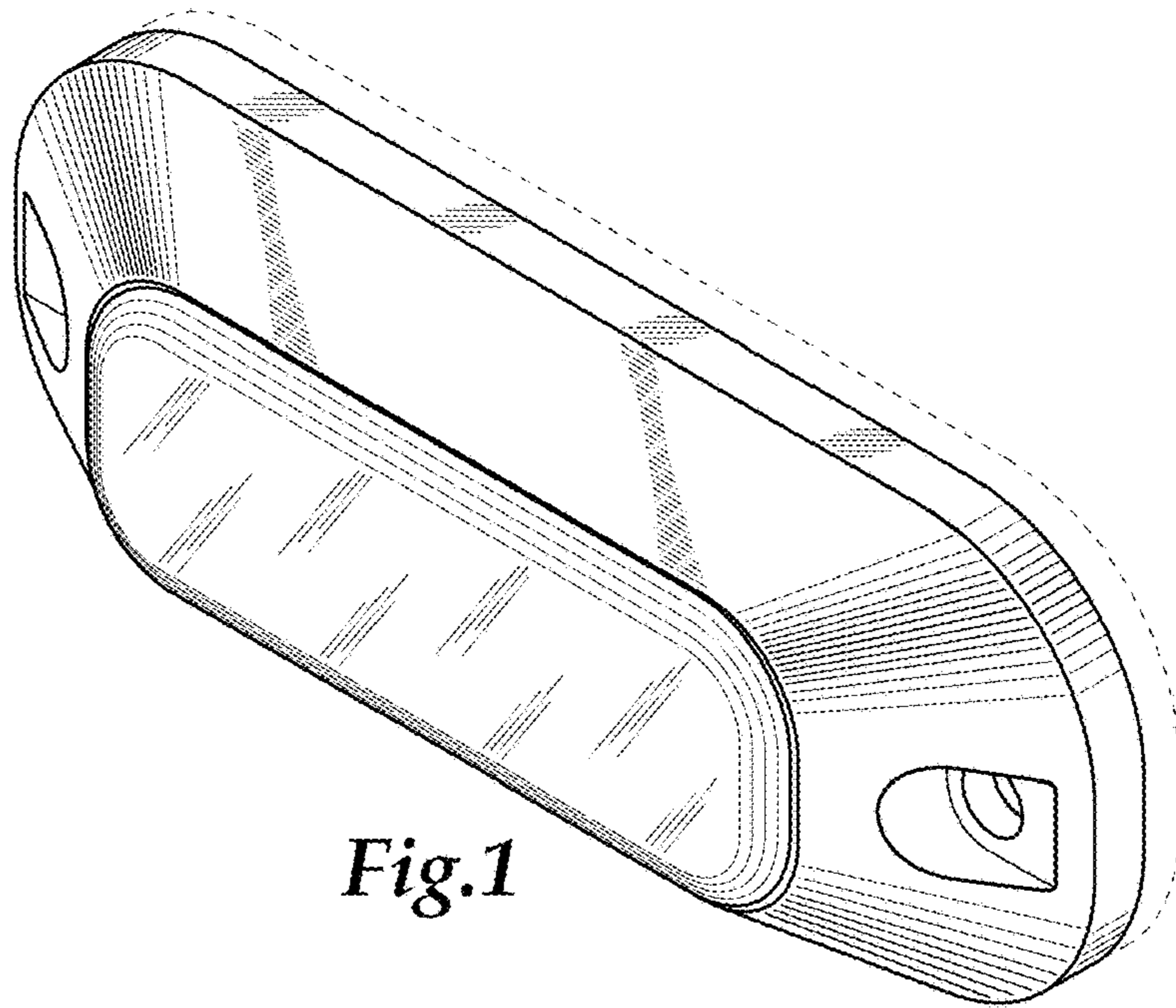
The ornamental design for a warning light, substantially as shown and described.

**DESCRIPTION**

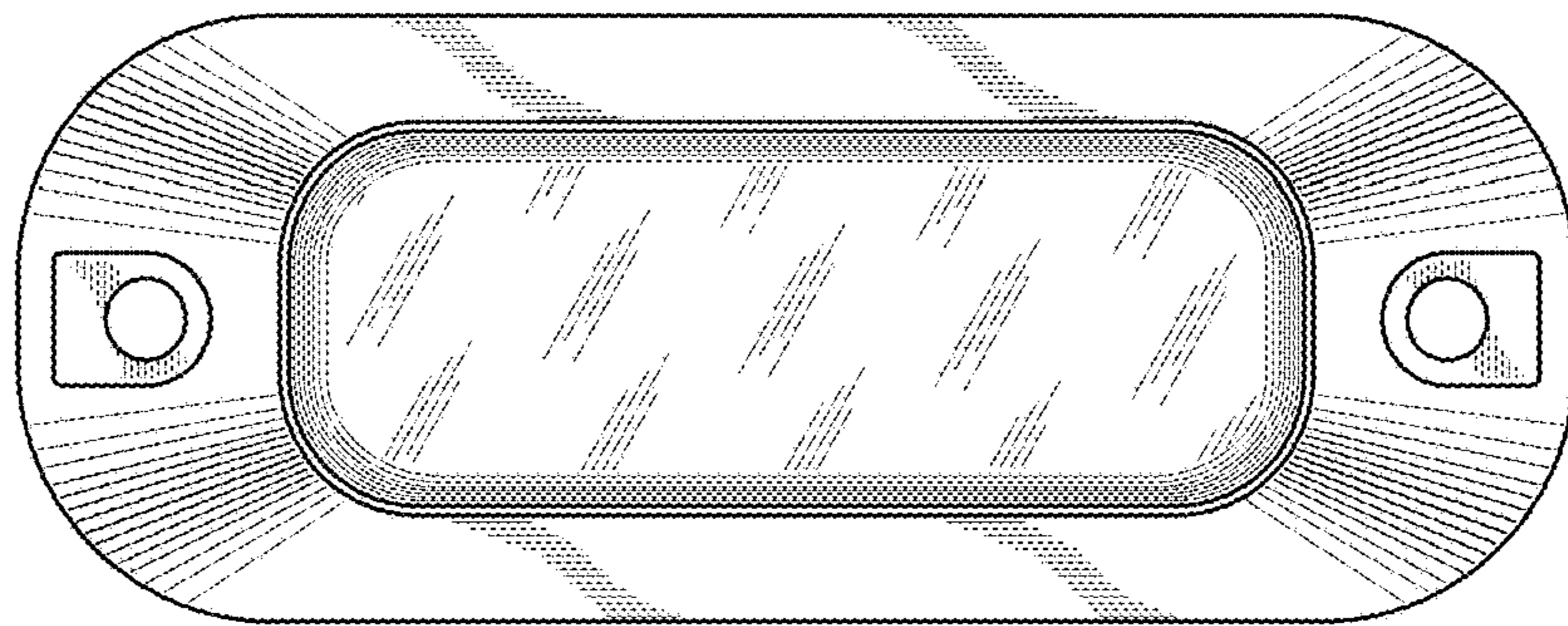
FIG. 1 is an isometric view of a warning light, according to a first embodiment;  
 FIG. 2 is a top plan view thereof;  
 FIG. 3 is a front elevational view thereof, the rear elevational view being identical;  
 FIG. 4 is a right side elevational view thereof, the left side elevational view being identical;  
 FIG. 5 is an isometric view of a warning light, according to a second embodiment;  
 FIG. 6 is a top plan view thereof;  
 FIG. 7 is a front elevational view thereof, the rear elevational view being identical; and,  
 FIG. 8 is a right side elevational view thereof, the left side elevational view being identical.  
 In the figures, the broken lines show environmental structures forming no part of the claimed design.

**1 Claim, 2 Drawing Sheets**

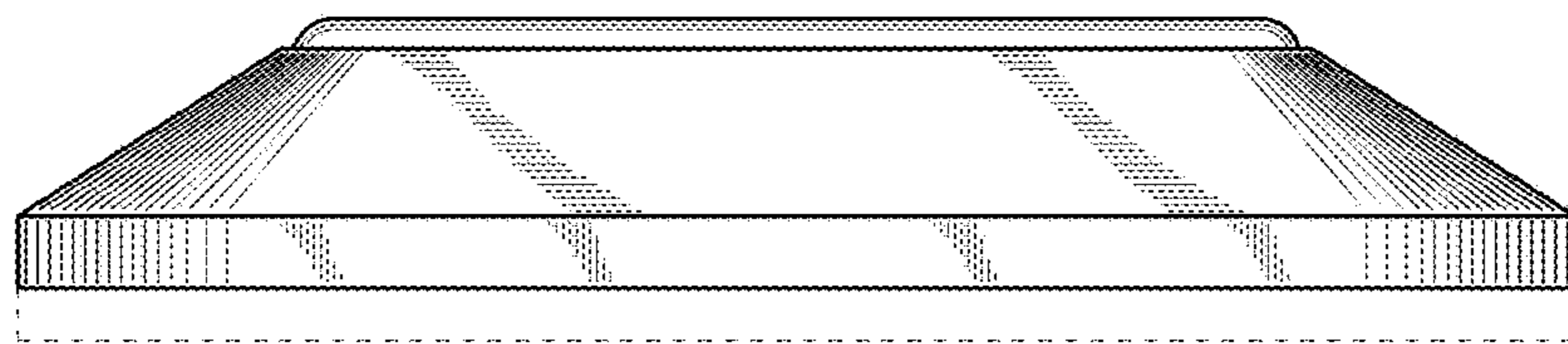




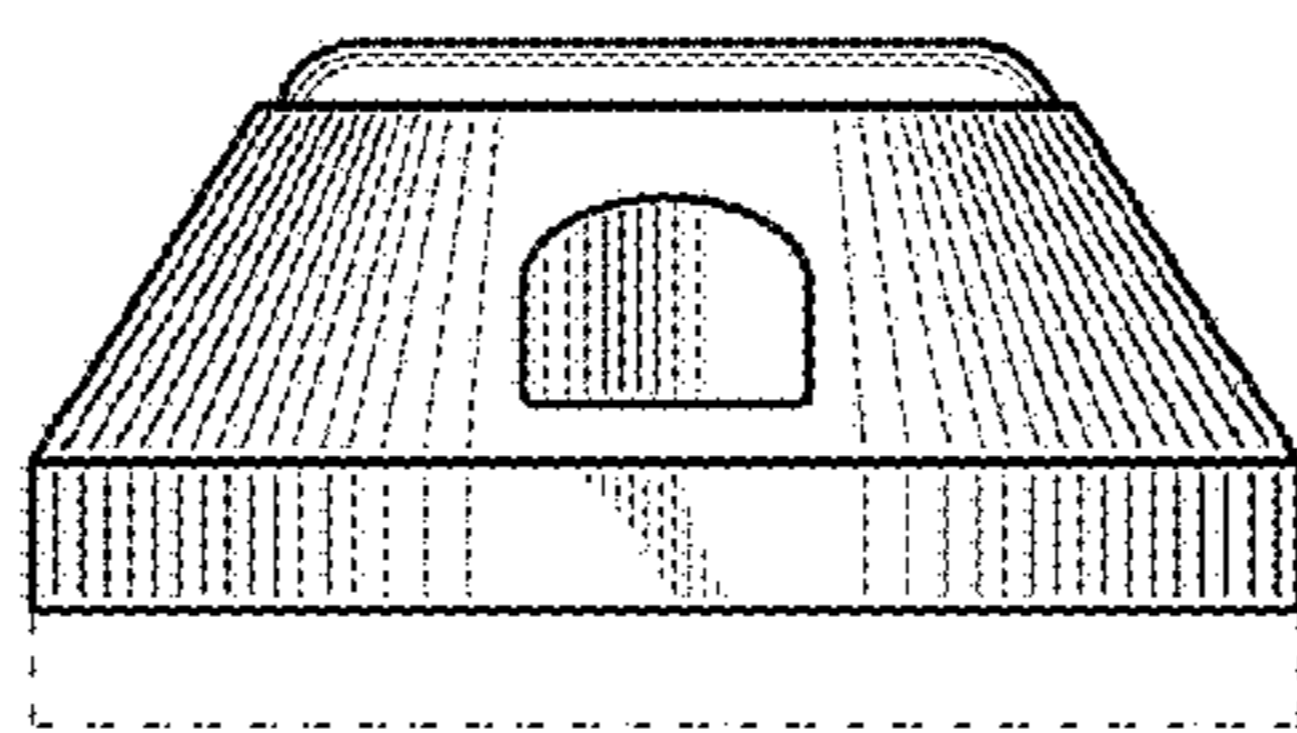
*Fig.1*



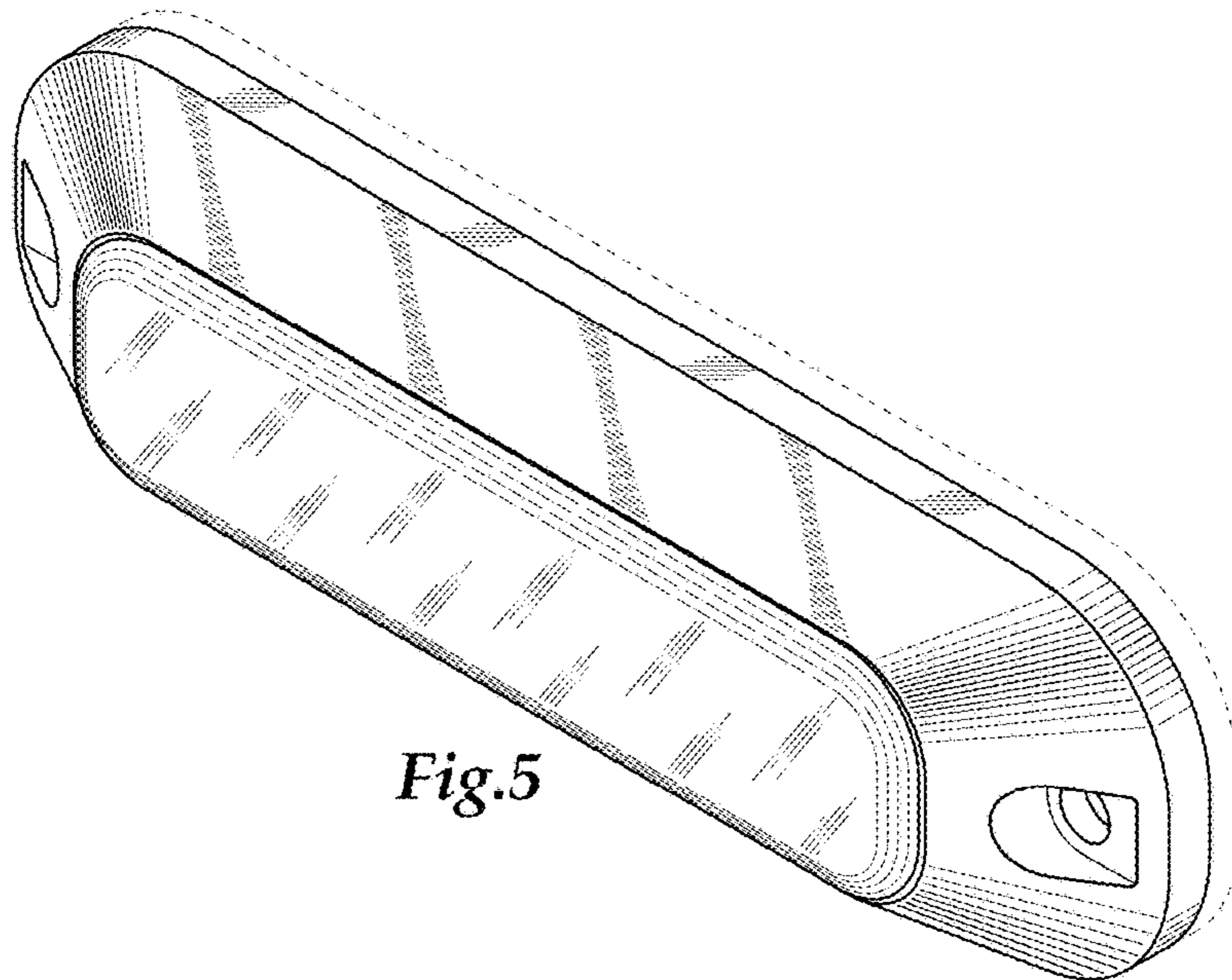
*Fig.2*



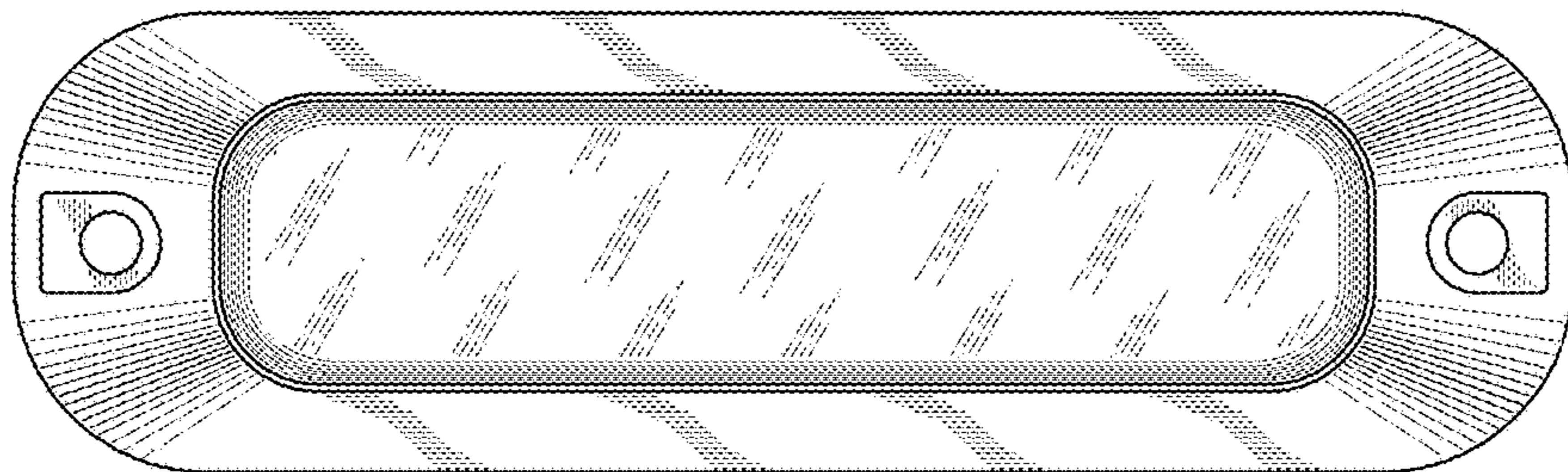
*Fig.3*



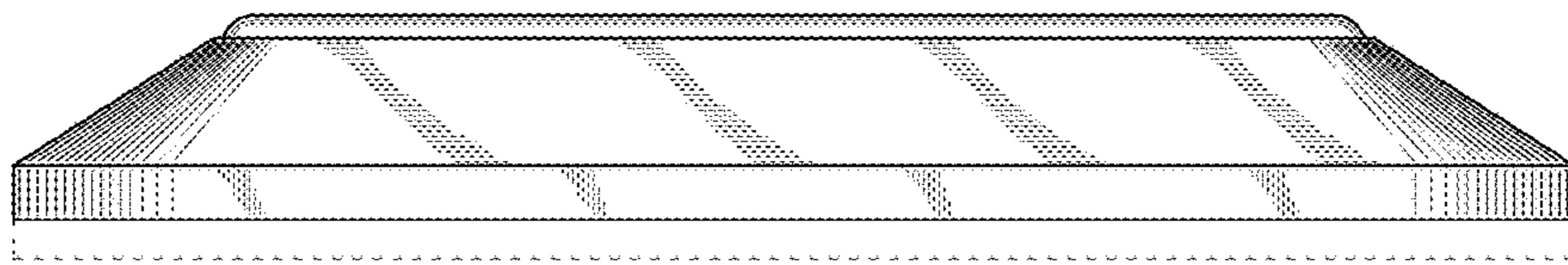
*Fig.4*



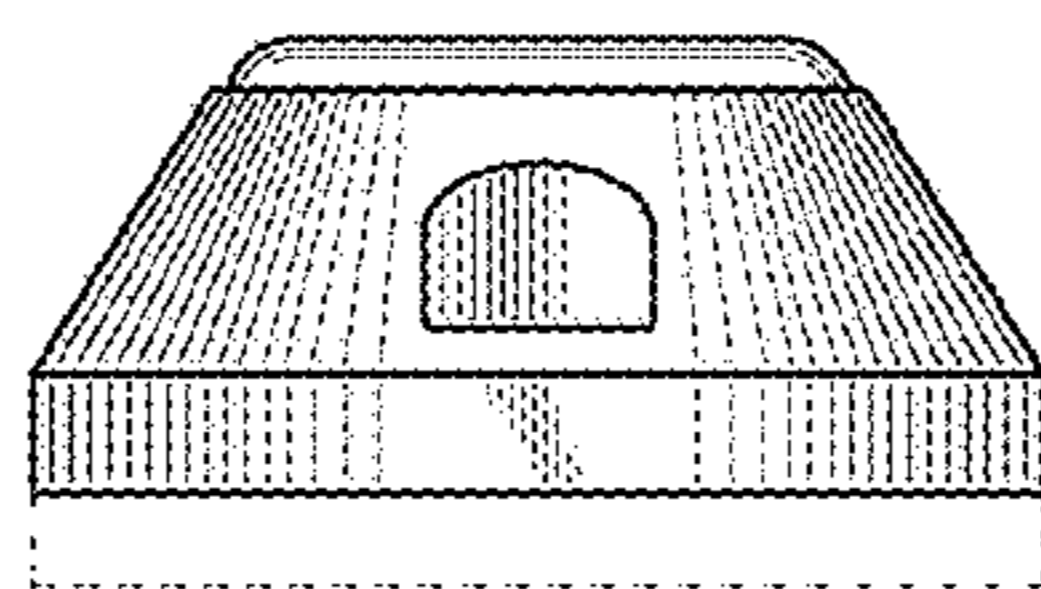
*Fig.5*



*Fig.6*



*Fig.7*



*Fig.8*