



US00D853873S

(12) **United States Design Patent** (10) **Patent No.:** **US D853,873 S**
Schueren et al. (45) **Date of Patent:** **** Jul. 16, 2019**

(54) **HOUSING FOR BIOCHEMICAL ANALYSIS APPARATUS**

(71) Applicant: **IntegenX Inc.**, Pleasanton, CA (US)

(72) Inventors: **Robert A. Schueren**, Los Altos, CA (US); **Alexander Kindwall**, Pleasanton, CA (US); **David King**, Menlo Park, CA (US); **Chungsoo Charles Park**, Redwood City, CA (US); **James Klevenberg**, Livermore, CA (US)

(73) Assignee: **IntegenX Inc.**, Pleasanton, CA (US)

(**) Term: **15 Years**

(21) Appl. No.: **29/650,002**

(22) Filed: **Jun. 4, 2018**

Related U.S. Application Data

(62) Division of application No. 29/581,062, filed on Oct. 14, 2016, now Pat. No. Des. 819,470, which is a division of application No. 29/525,151, filed on Apr. 27, 2015, now Pat. No. Des. 772,086.

(51) **LOC (11) Cl.** **10-04**

(52) **U.S. Cl.**
USPC **D10/81**; D24/234

(58) **Field of Classification Search**
USPC D10/81; D24/216, 232-234
CPC Y10T 436/00; Y10T 436/10; Y10T 436/100833; Y10T 436/101666; Y10T 436/102499; Y10T 436/103332; Y10T 436/104165; Y10T 436/104998; Y10T 436/105831; Y10T 436/106664; Y10T 436/107497; Y10T 436/108331; Y10T 436/109163

See application file for complete search history.

(56) **References Cited**

U.S. PATENT DOCUMENTS

D421,653 S 3/2000 Purcell
D467,349 S 12/2002 Niedbala et al.

D474,280 S 5/2003 Niedbala et al.
D556,914 S 12/2007 Okamoto et al.
7,776,195 B2 8/2010 Kureshy et al.
RE41,946 E 11/2010 Anderson et al.
D631,968 S 2/2011 Sevel
D689,193 S 9/2013 Shinohara et al.
D730,535 S 5/2015 Gutmann et al.
8,986,527 B2 6/2015 Lin et al.
D733,917 S 7/2015 Klein et al.
D737,702 S 9/2015 Selberg et al.
9,128,072 B2 9/2015 Dießel et al.
9,145,573 B2 9/2015 Pederson
D740,434 S 10/2015 Isozaki
D772,086 S 11/2016 Schueren et al.
D775,365 S * 12/2016 Mathers D24/232
9,562,902 B2 2/2017 Hoogenboom et al.
9,562,920 B2 2/2017 Asao et al.
9,658,222 B2 5/2017 Moll et al.
D794,211 S 8/2017 Ang et al.
D818,146 S 5/2018 Tanaka et al.
D819,225 S * 5/2018 Mead D24/233
9,968,934 B2 5/2018 Kim et al.
D819,470 S 6/2018 Schueren et al.
D821,601 S 6/2018 Henderson
D822,844 S 7/2018 Smith et al.
D827,859 S * 9/2018 Mathers D24/232
D833,033 S 11/2018 Foster et al.
D834,724 S * 11/2018 Mathers D24/232

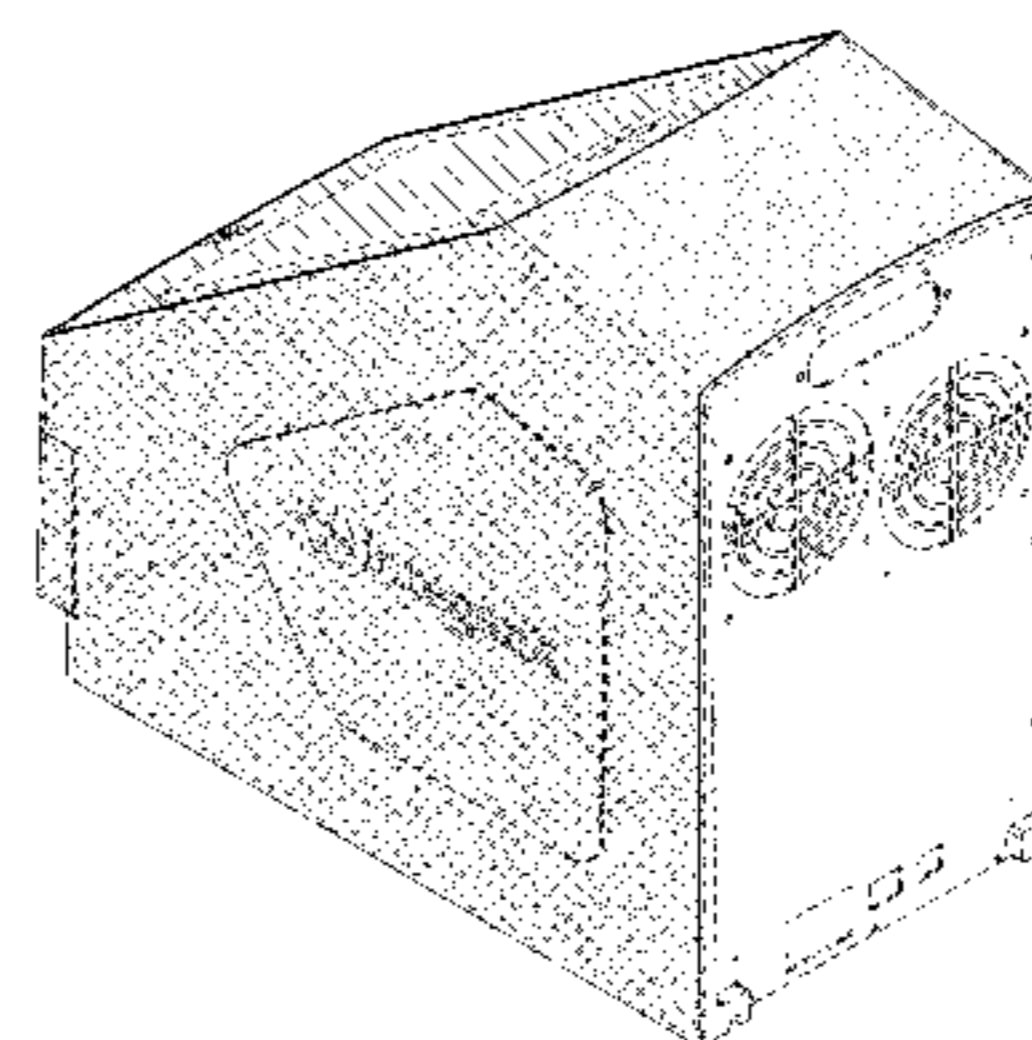
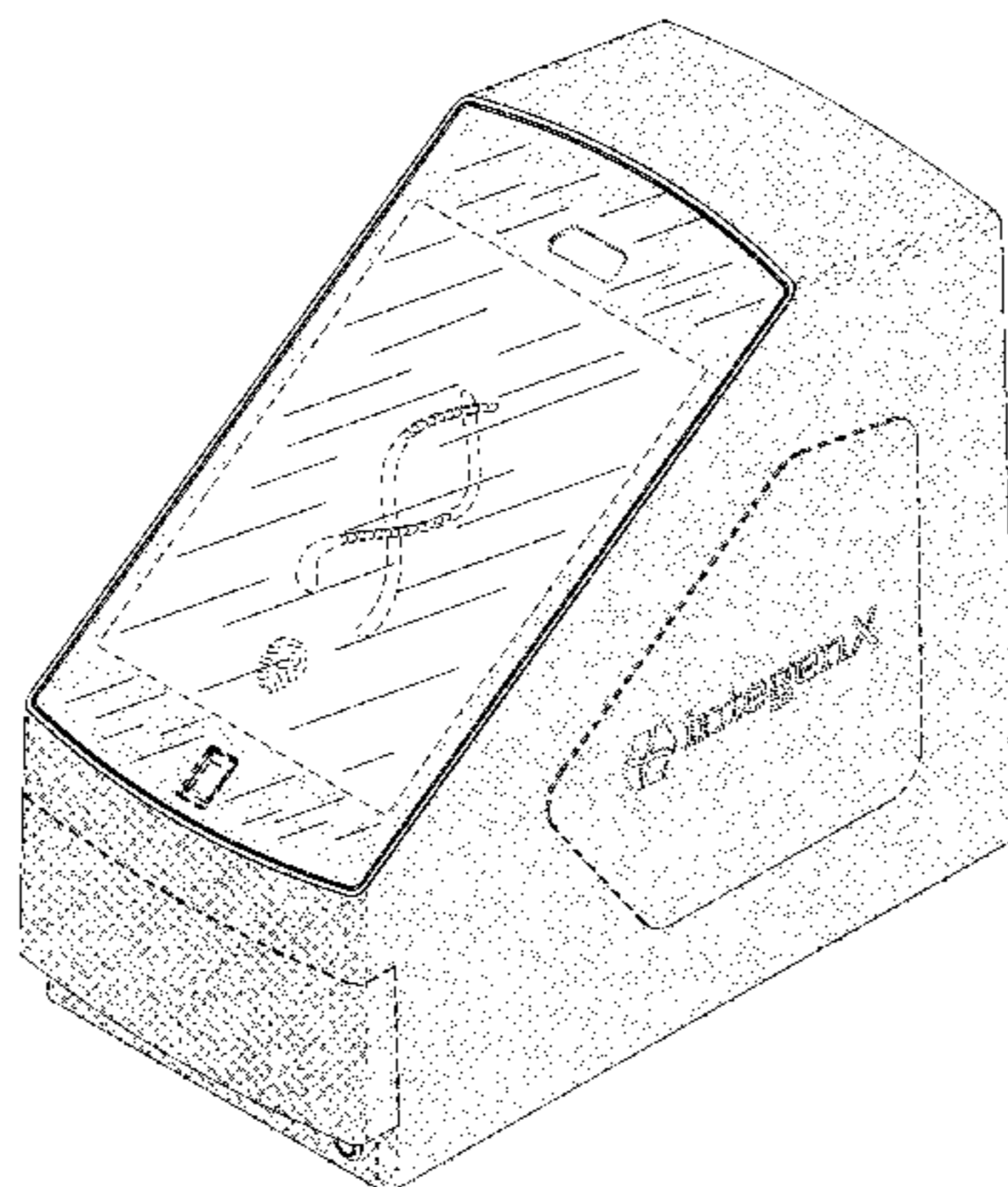
FOREIGN PATENT DOCUMENTS

EM 004733517-0001-0002 4/2018

OTHER PUBLICATIONS

U.S. Restriction Requirement dated Apr. 13, 2016 in U.S. Appl. No. 29/525,151.
U.S. Restriction Requirement dated Jun. 22, 2016 in U.S. Appl. No. 29/525,151.
U.S. Notice of Allowance dated Sep. 2, 2016 in U.S. Appl. No. 29/525,151.
U.S. Restriction Requirement dated Oct. 5, 2017 in U.S. Appl. No. 29/581,062.
U.S. Notice of Allowance dated Feb. 8, 2018 in U.S. Appl. No. 29/581,062.
U.S. Ex Parte Quayle Action dated Oct. 19, 2018 in U.S. Appl. No. 29/616,150.
U.S. Notice of Allowance dated Dec. 19, 2018 in U.S. Appl. No. 29/616,150.
U.S. Appl. No. 29/616,150, filed Sep. 1, 2017, Smith et al.

* cited by examiner



Primary Examiner — Antoine Duval Davis
(74) Attorney, Agent, or Firm — Workman Nydegger

(57) **CLAIM**

We claim the ornamental design for a housing for a biochemical analysis apparatus, as shown and described.

DESCRIPTION

FIG. 1 is an isometric view of a housing for a biochemical analysis apparatus with a fingerprint reader and cartridge slot on the sloped front surface, the “IntegenX” logo and a pentagonal raised panel encircling the logo, most of the back face and underside of the housing, and a seam that runs along the front face of the housing and down the sides of the housing rendered in broken lines to indicate unclaimed environmental structure.

FIG. 2 is a rear isometric view of the housing for a biochemical analysis apparatus of FIG. 1.

FIG. 3 is a front view of the housing for a biochemical analysis apparatus of FIG. 1.

FIG. 4 is a back view of the housing for a biochemical analysis apparatus of FIG. 1.

FIG. 5 is a bottom view of the housing for a biochemical analysis apparatus of FIG. 1.

FIG. 6 is a top view of the housing for a biochemical analysis apparatus of FIG. 1.

FIG. 7 is a left side view of the housing for a biochemical analysis apparatus of FIG. 1.

FIG. 8 is a right side view of the housing for a biochemical analysis apparatus of FIG. 1.

FIG. 9 is an isometric view of a housing for a biochemical analysis apparatus with the cartridge slot, “IntegenX” logo and surrounding pentagonal area, and most of the underside and back face of the housing rendered in broken lines to indicate unclaimed environmental structure.

FIG. 10 is a rear isometric view of the housing for a biochemical analysis apparatus of FIG. 9.

FIG. 11 is a front view of the housing for a biochemical analysis apparatus of FIG. 9.

FIG. 12 is a back view of the housing for a biochemical analysis apparatus of FIG. 9.

FIG. 13 is a bottom view of the housing for a biochemical analysis apparatus of FIG. 9.

FIG. 14 is a top view of the housing for a biochemical analysis apparatus of FIG. 9.

FIG. 15 is a left side view of the housing for a biochemical analysis apparatus of FIG. 9.

FIG. 16 is a right side view of the housing for a biochemical analysis apparatus of FIG. 9.

FIG. 17 is an isometric view of a housing for a biochemical analysis apparatus with the fingerprint reader, “IntegenX” logo and surrounding pentagonal area, and most of the underside and back face of the housing rendered in broken lines to indicate unclaimed environmental structure.

FIG. 18 is a rear isometric view of the housing for a biochemical analysis apparatus of FIG. 17.

FIG. 19 is a front view of the housing for a biochemical analysis apparatus of FIG. 17.

FIG. 20 is a back view of the housing for a biochemical analysis apparatus of FIG. 17.

FIG. 21 is a bottom view of the housing for a biochemical analysis apparatus of FIG. 17.

FIG. 22 is a top view of the housing for a biochemical analysis apparatus of FIG. 17.

FIG. 23 is a left side view of the housing for a biochemical analysis apparatus of FIG. 17.

FIG. 24 is a right side view of the housing for a biochemical analysis apparatus of FIG. 17.

FIG. 25 is an isometric view of a housing for a biochemical analysis apparatus with the fingerprint reader, cartridge slot, “IntegenX” logo and surrounding pentagonal area, and most of the underside and back face of the housing rendered in broken lines to indicate unclaimed environmental structure.

FIG. 26 is a rear isometric view of the housing for a biochemical analysis apparatus of FIG. 25.

FIG. 27 is a front view of the housing for a biochemical analysis apparatus of FIG. 25.

FIG. 28 is a back view of the housing for a biochemical analysis apparatus of FIG. 25.

FIG. 29 is a bottom view of the housing for a biochemical analysis apparatus of FIG. 25.

FIG. 30 is a top view of the housing for a biochemical analysis apparatus of FIG. 25.

FIG. 31 is a left side view of the housing for a biochemical analysis apparatus of FIG. 25; and,

FIG. 32 is a right side view of the housing for a biochemical analysis apparatus of FIG. 25.

FIGS. 1 through 32 are drawn to scale.

A housing for a biochemical analysis apparatus is shown in FIGS. 1-32.

Stipple shading is used throughout to show surface contouring and as an aid to determining boundaries between claimed subject matter and unclaimed environmental structure; unclaimed environmental structure is not shaded or hatched, whereas claimed subject matter is shaded or hatched. It is to be understood that the use of stipple shading does not convey any particular surface finish or surface texture, but is merely used as an aid to show surface contouring and the extent of claimed subject matter. In views where no natural boundary exists between claimed subject matter and unclaimed environmental structure, dashed-dotted-dashed lines are used to indicate such boundaries. For further clarity, tangent lines indicating smooth transitions between surfaces are depicted in grey dashed lines (short-short-long dashes). Broken lines, such as dashed and dotted lines, are used to indicate unclaimed environmental structure. In cases where broken lines are used to represent features on a shaded surface, such as is the case with the IntegenX logo, it is to be understood that the surface itself is still claimed but that the particular structures on that surface are unclaimed environmental structure.

1 Claim, 24 Drawing Sheets

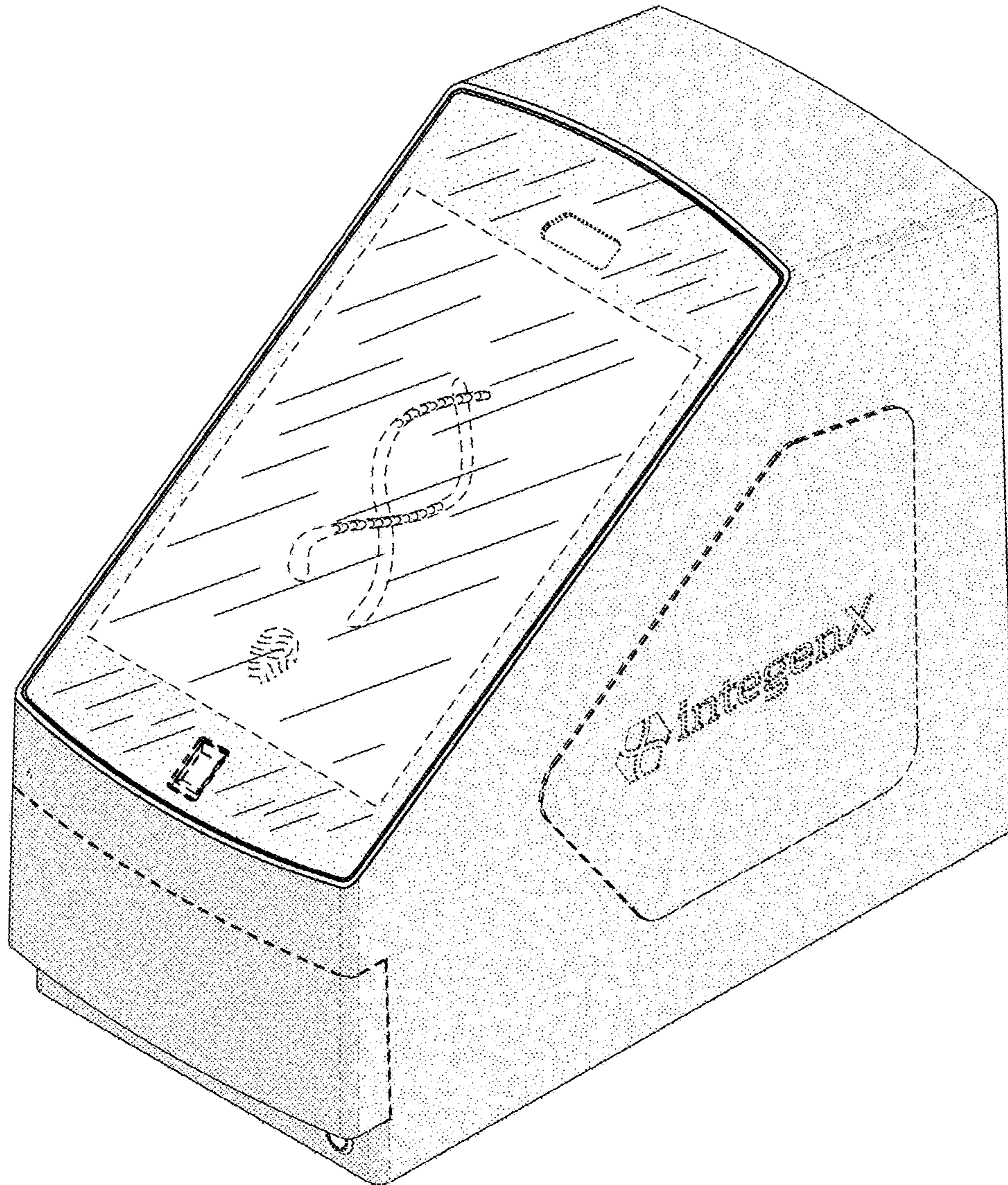


Figure 1

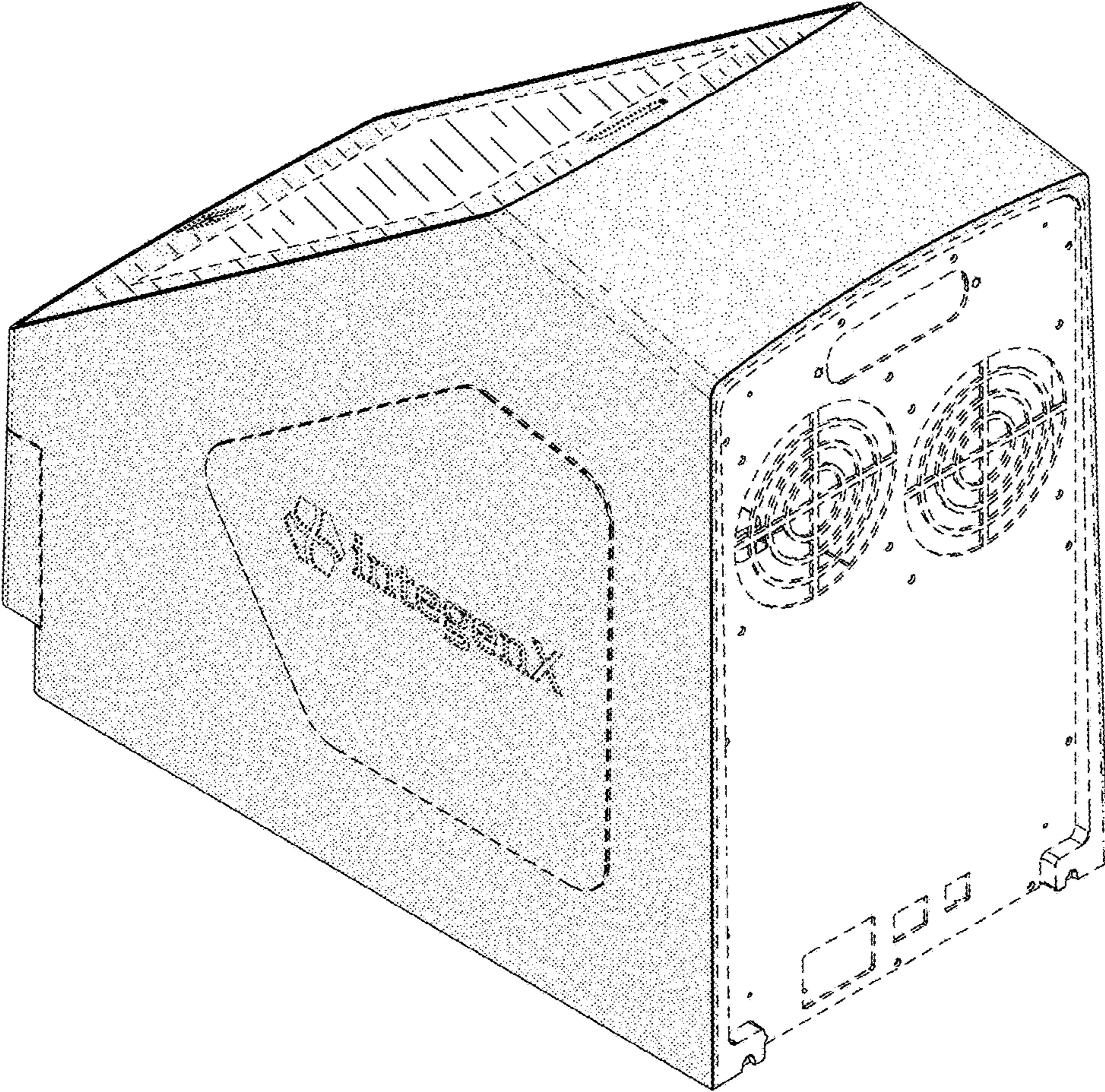


Figure 2

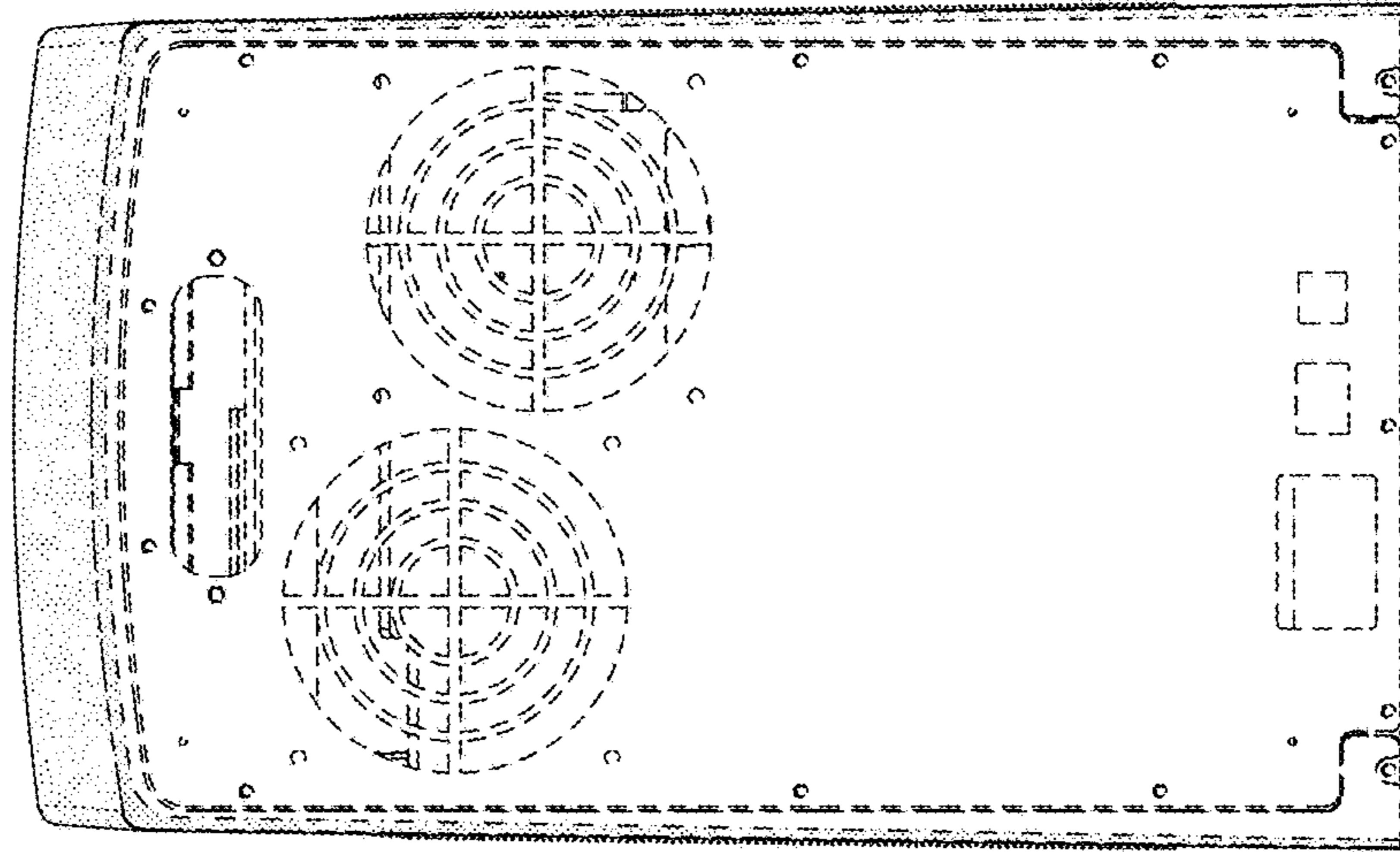


Figure 4

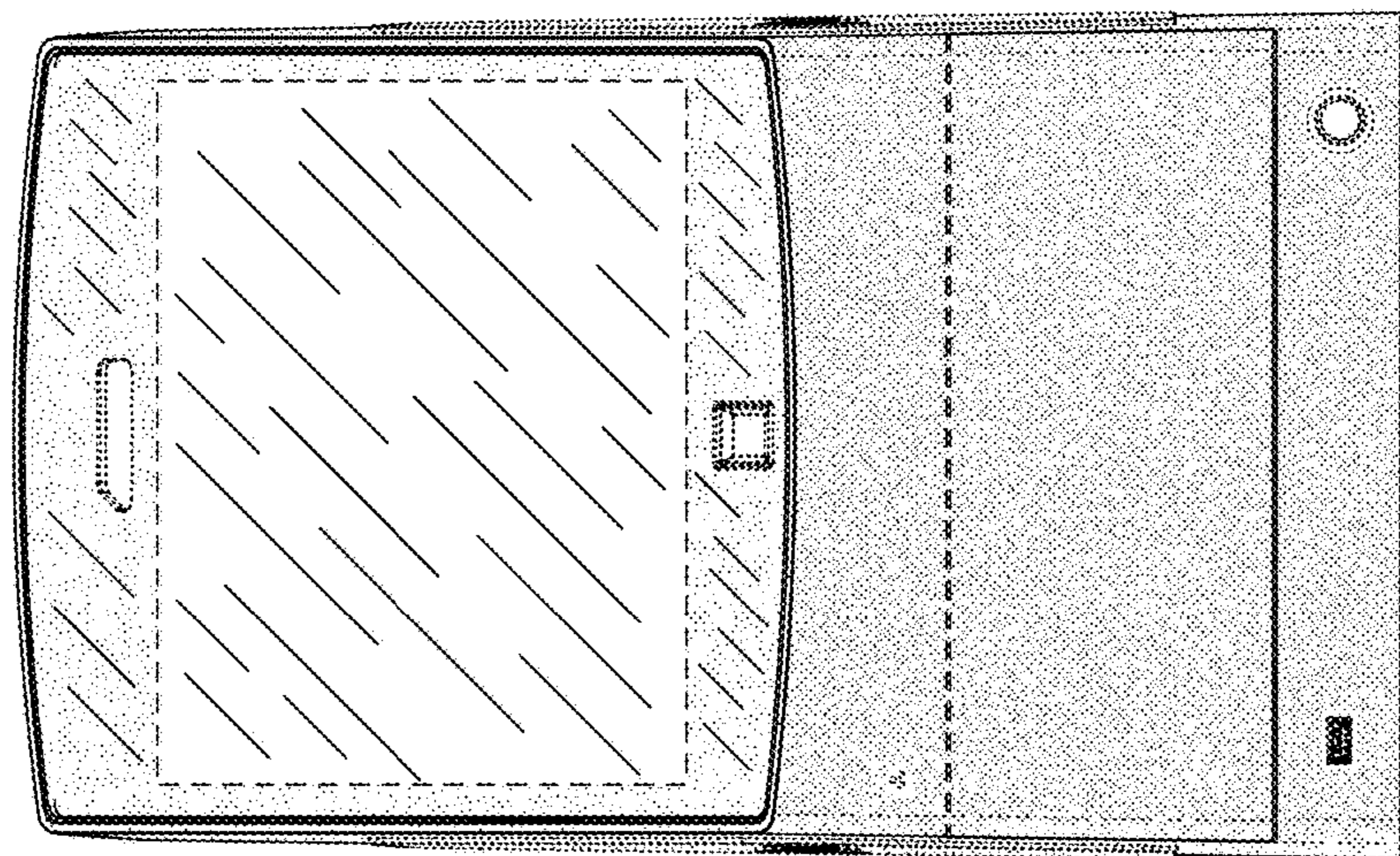


Figure 3

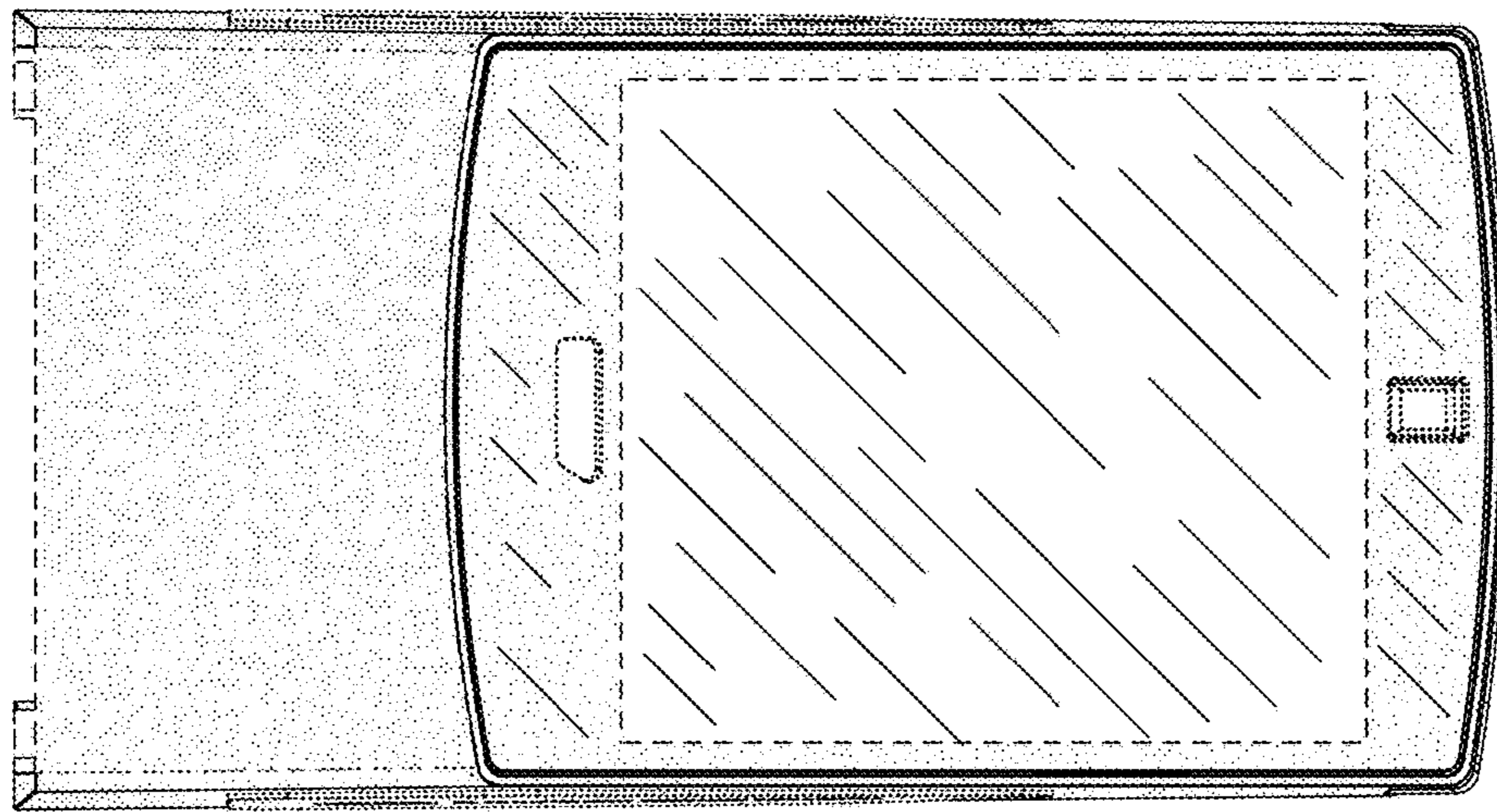


Figure 6

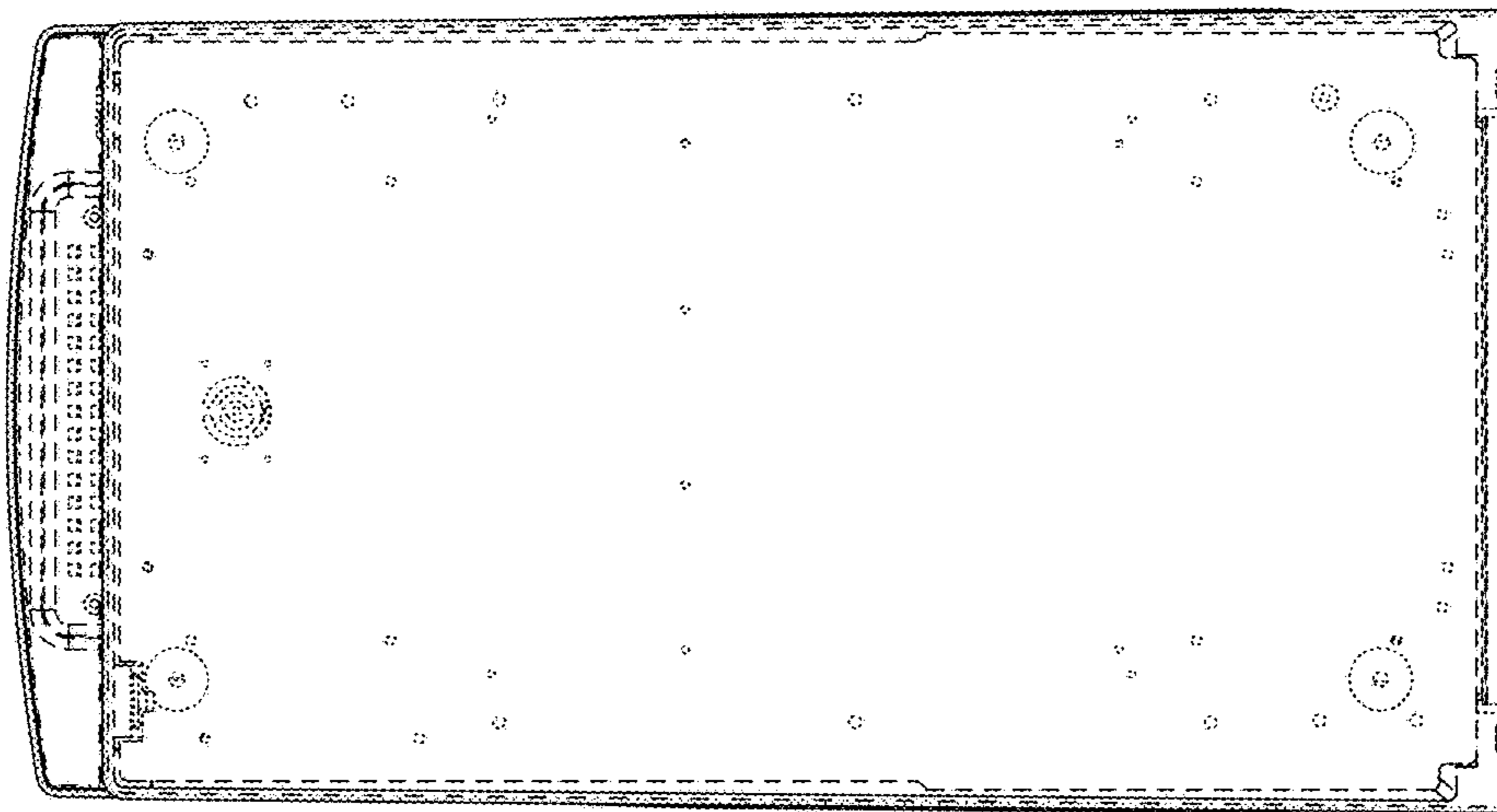


Figure 5

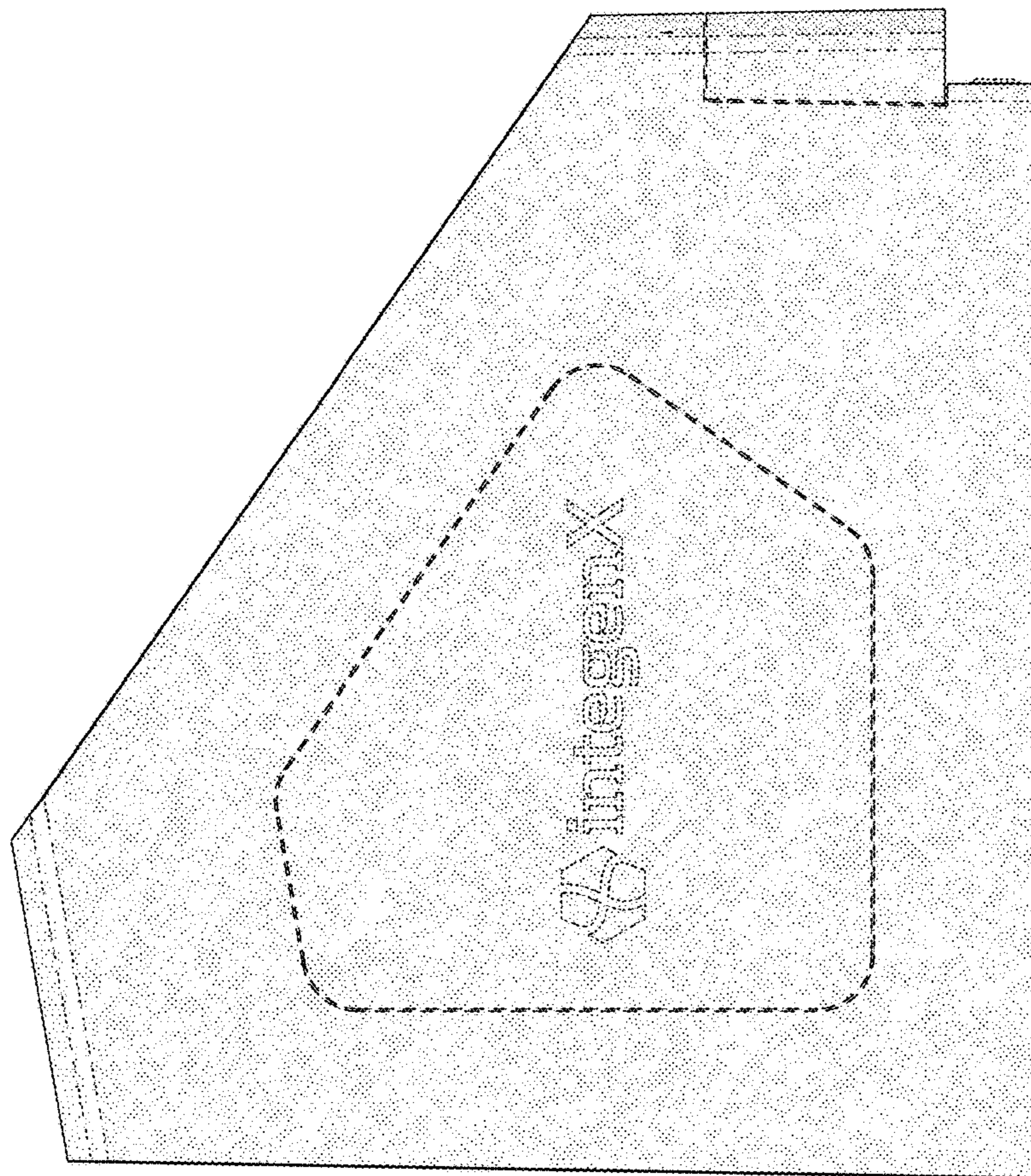


Figure 7

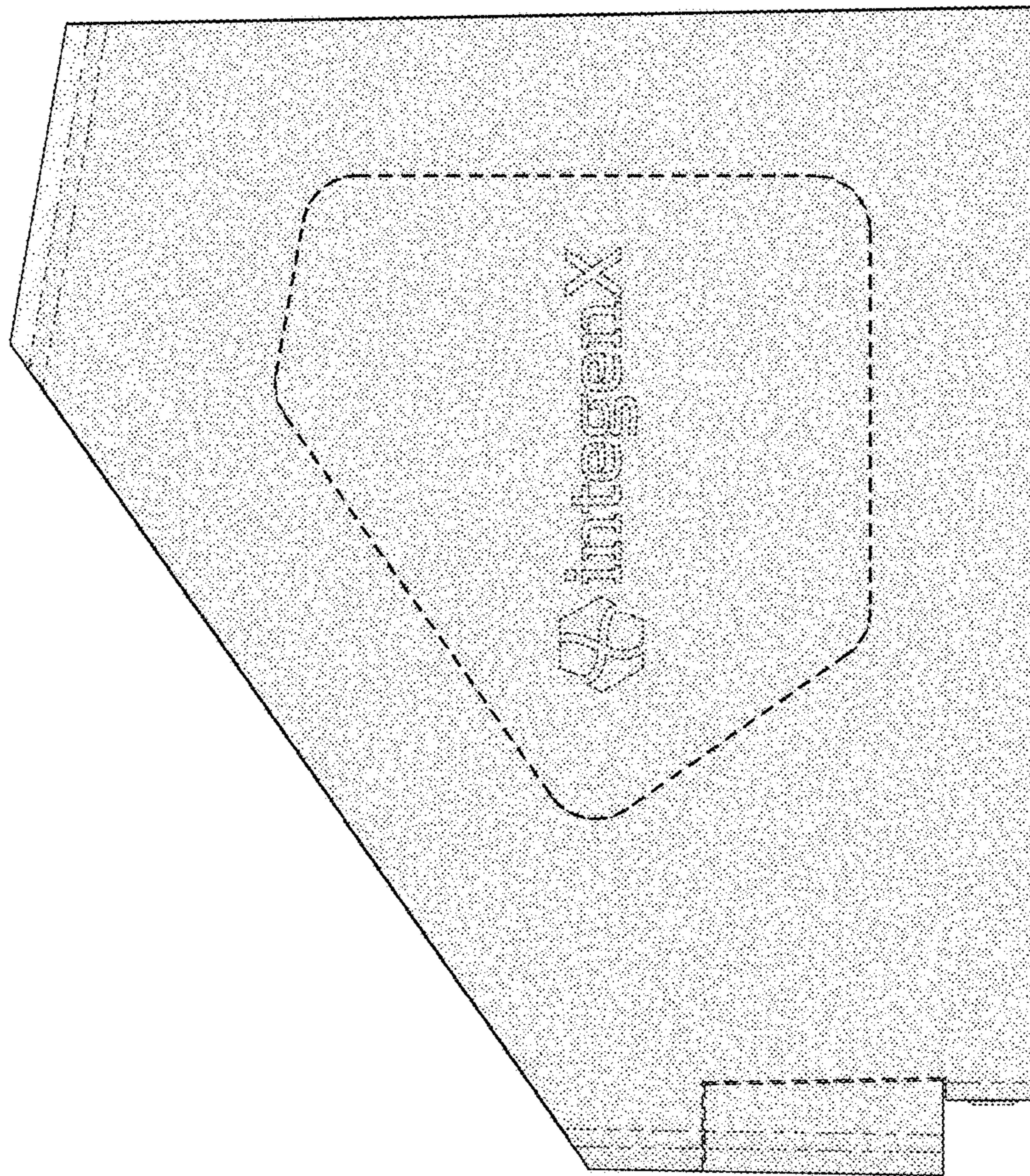


Figure 8

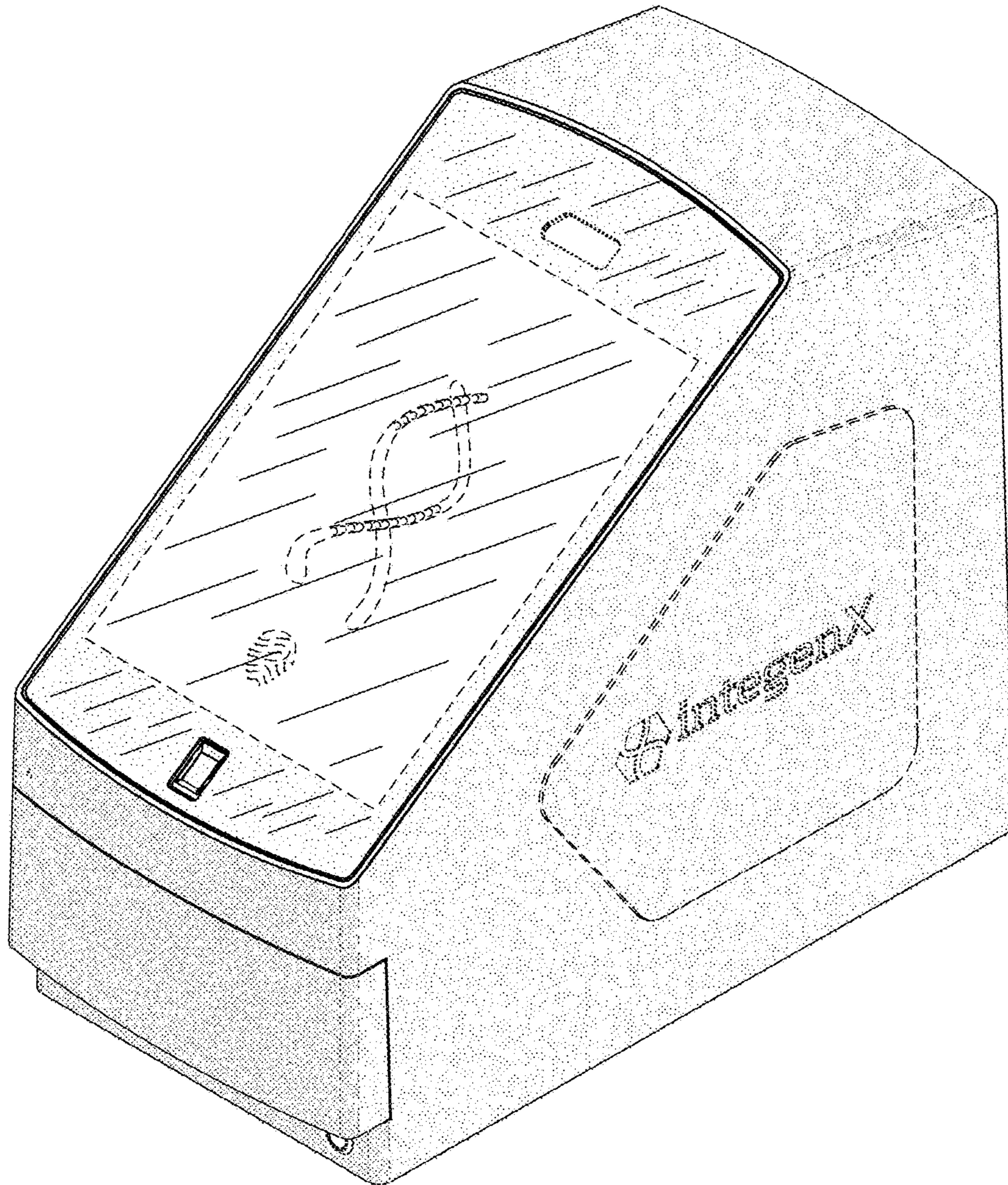


Figure 9

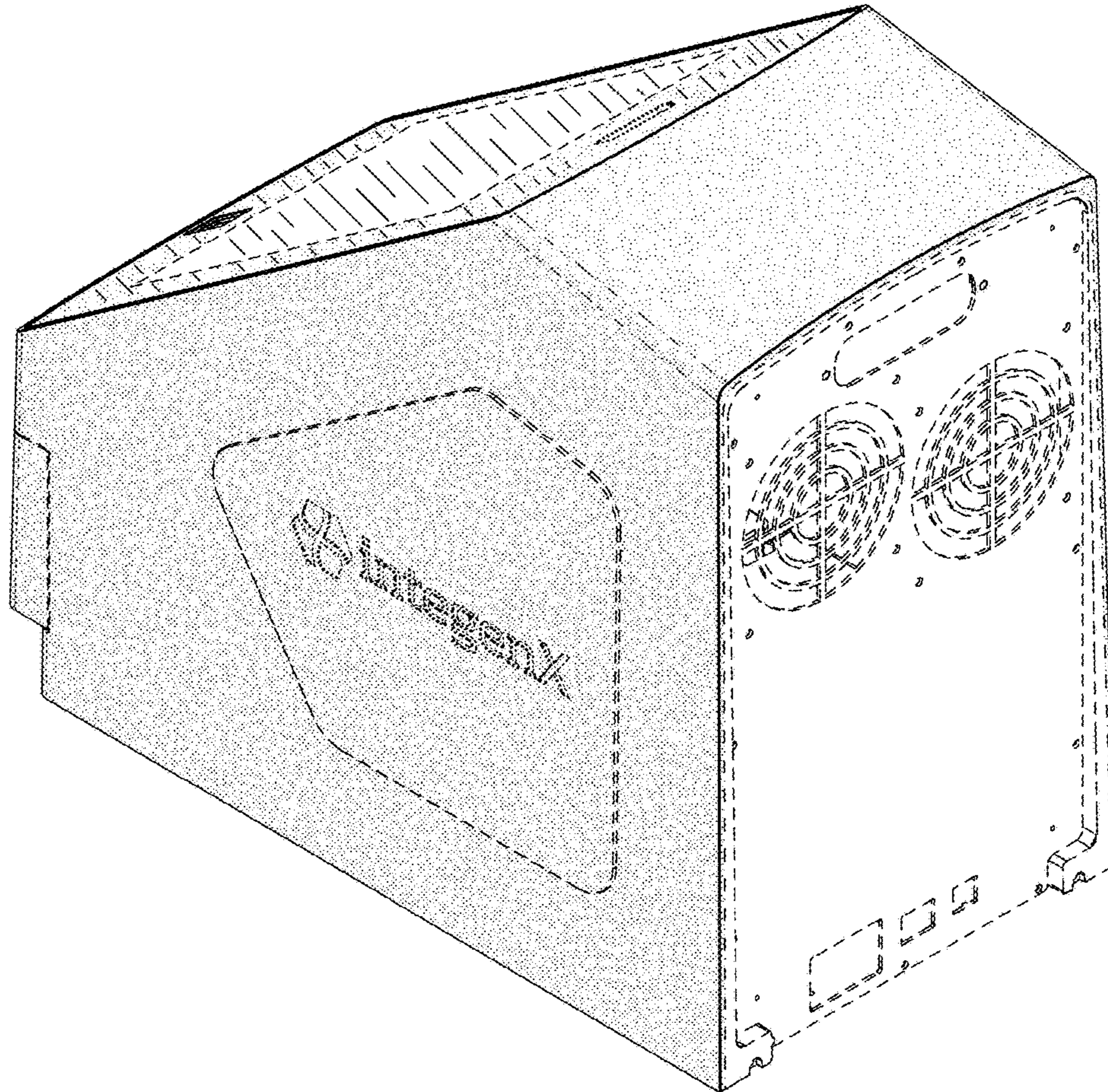


Figure 10

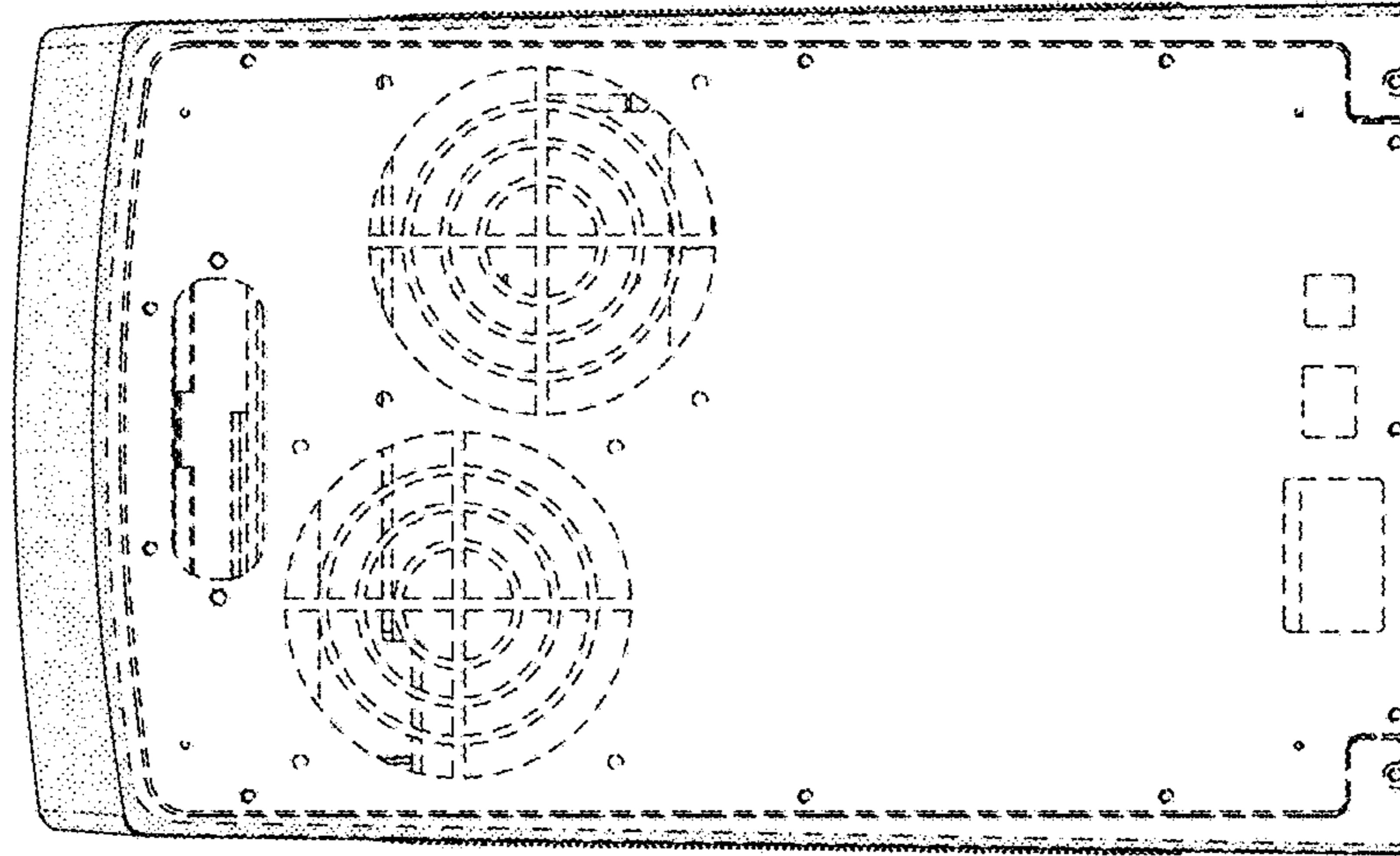


Figure 12

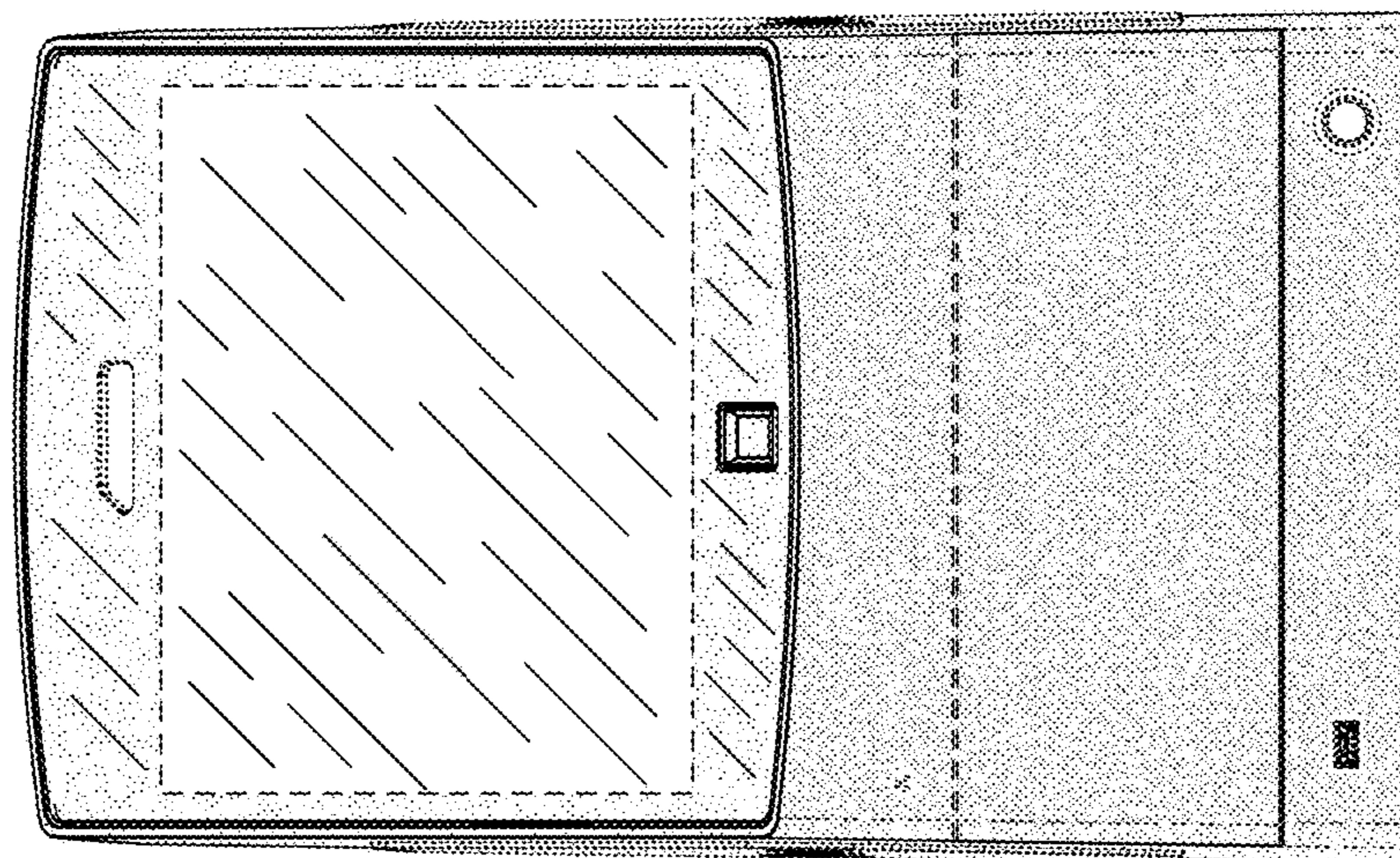


Figure 11

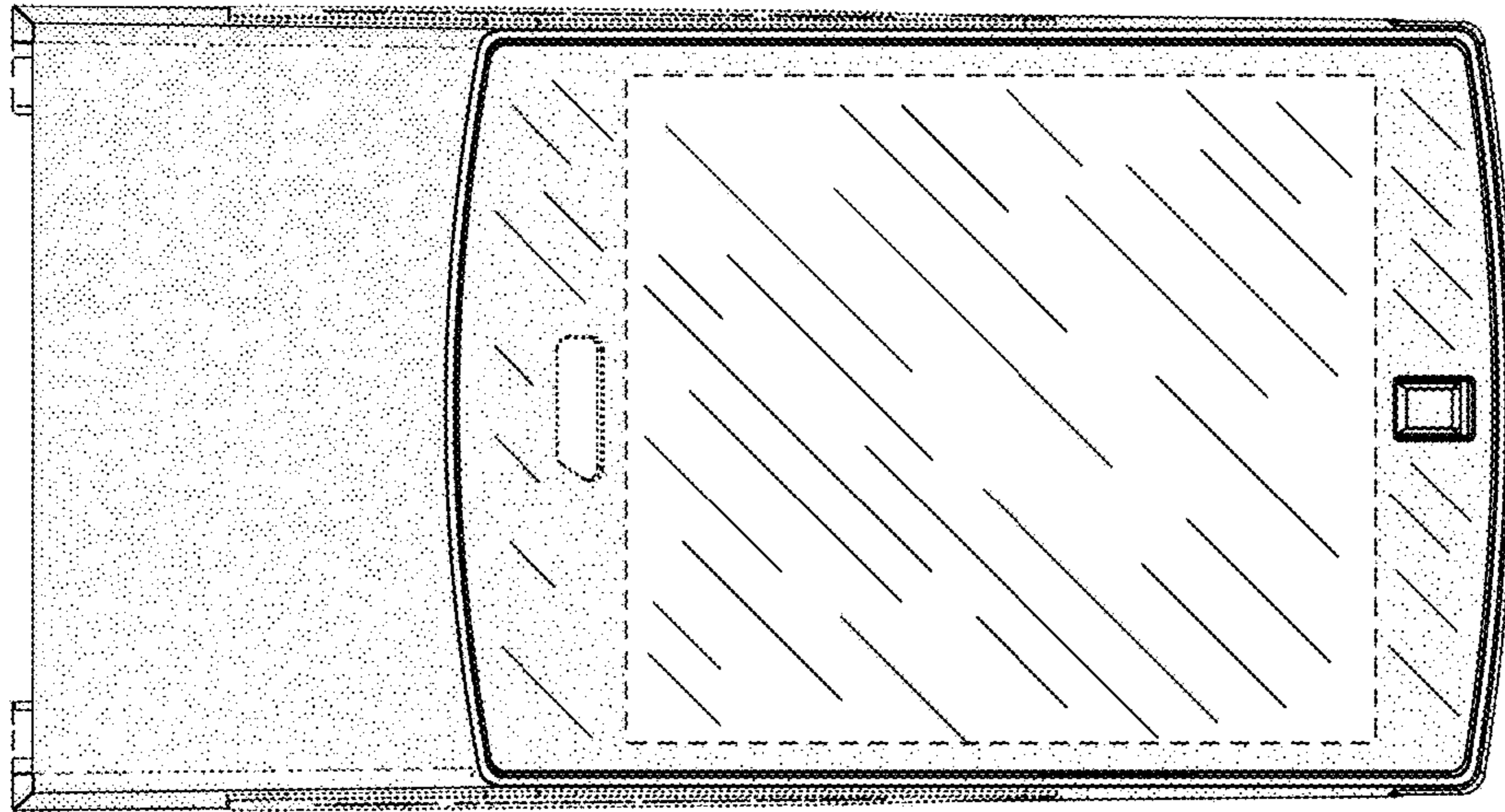


Figure 14

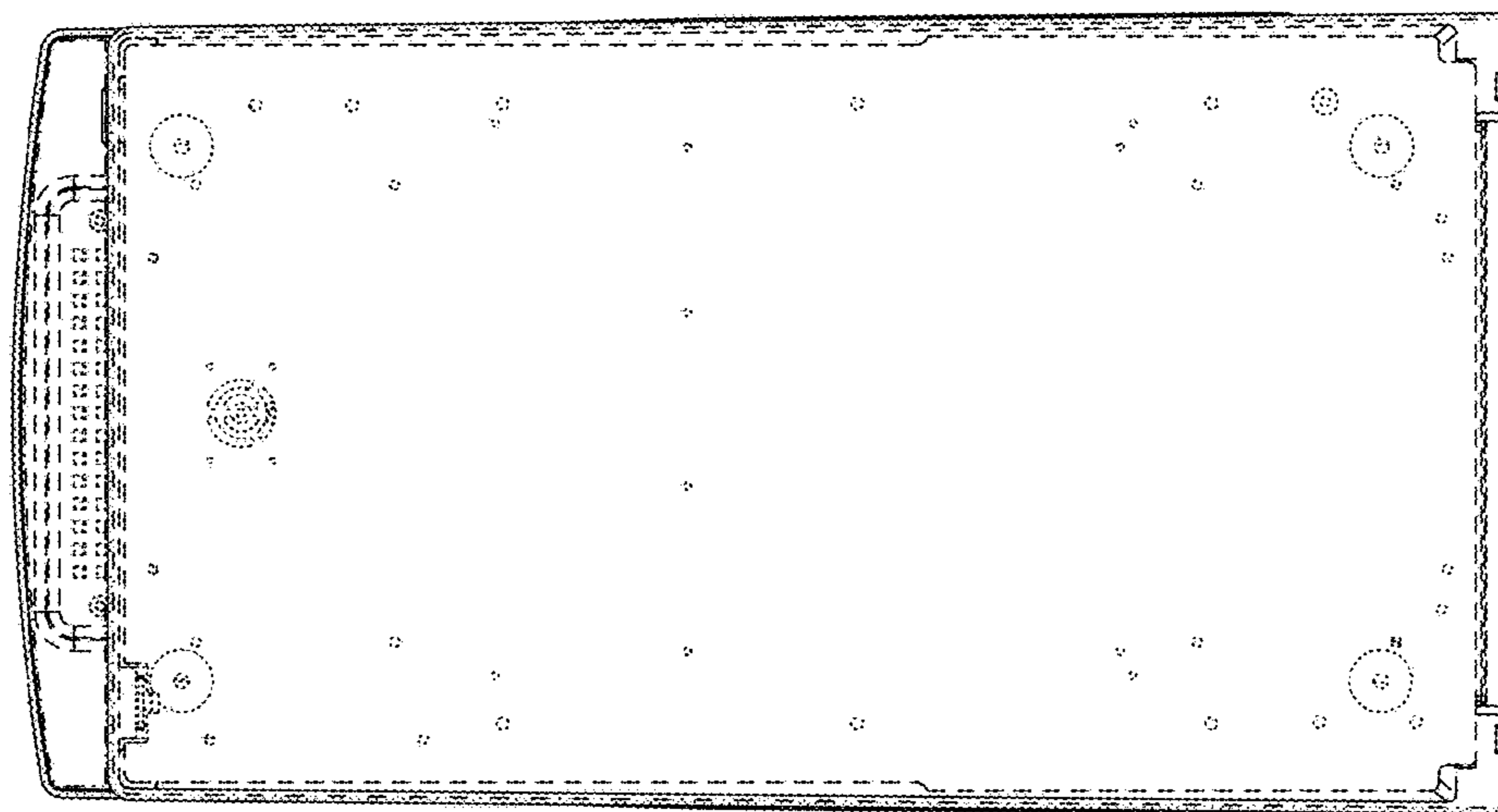


Figure 13

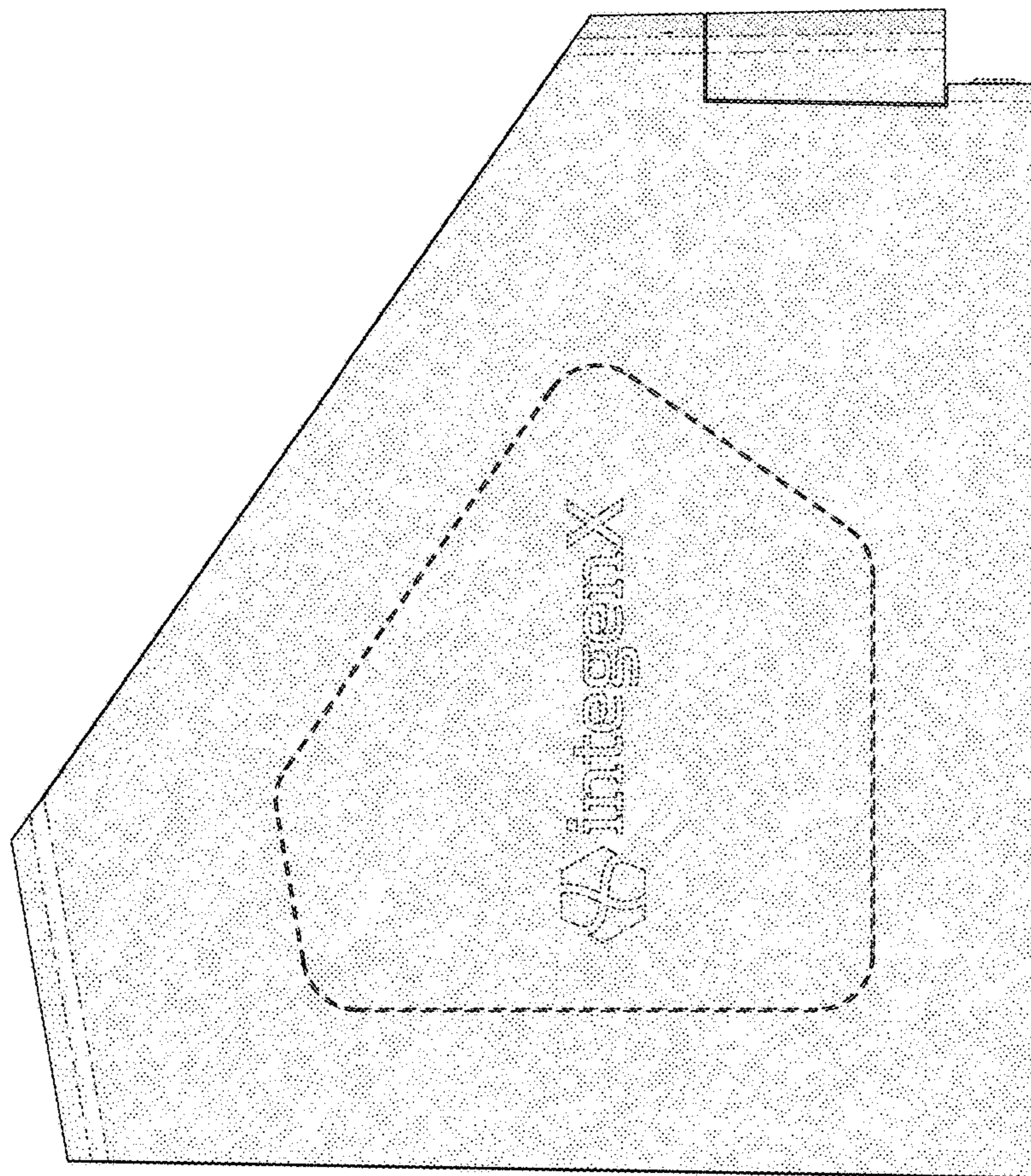


Figure 15

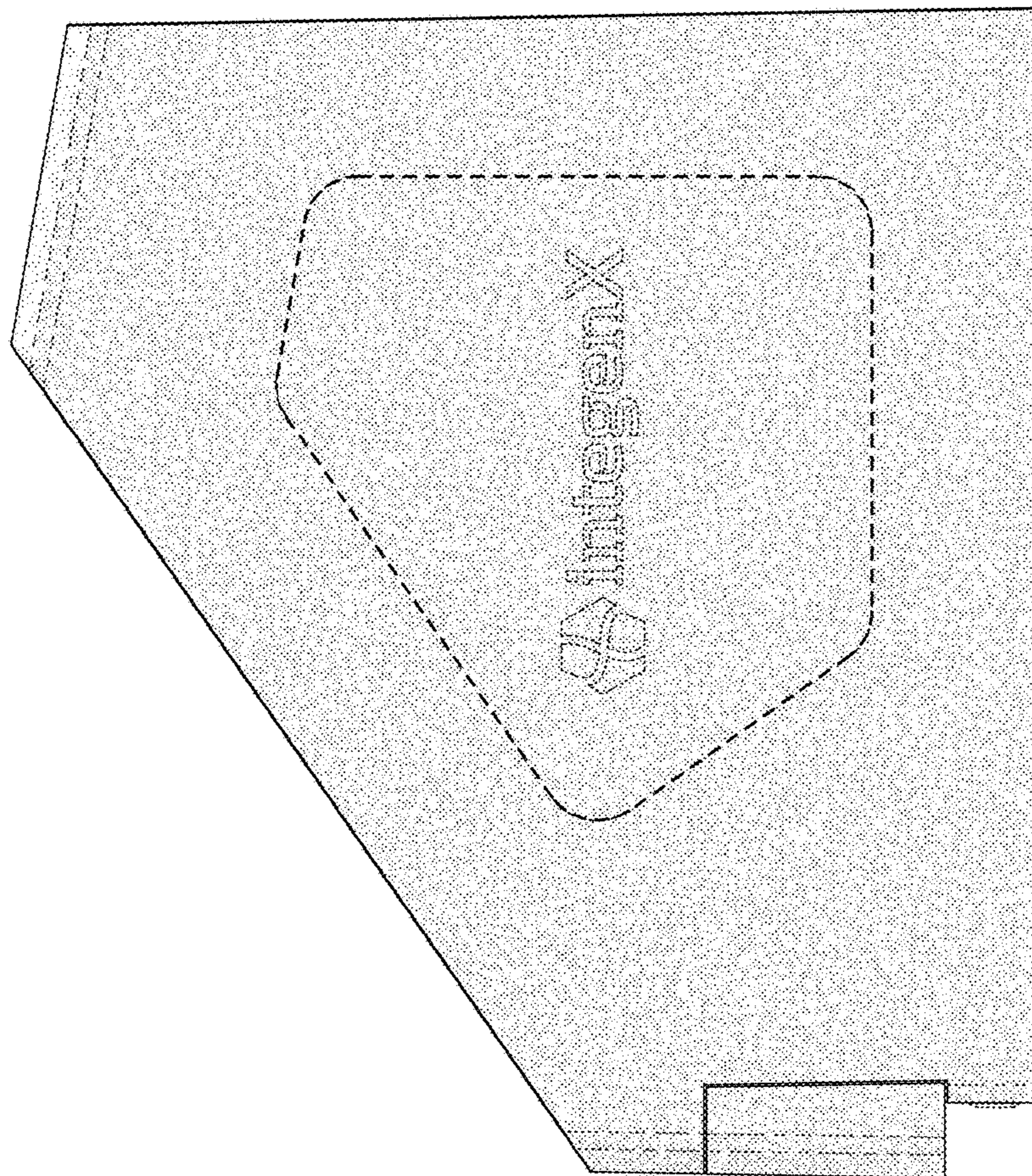


Figure 16

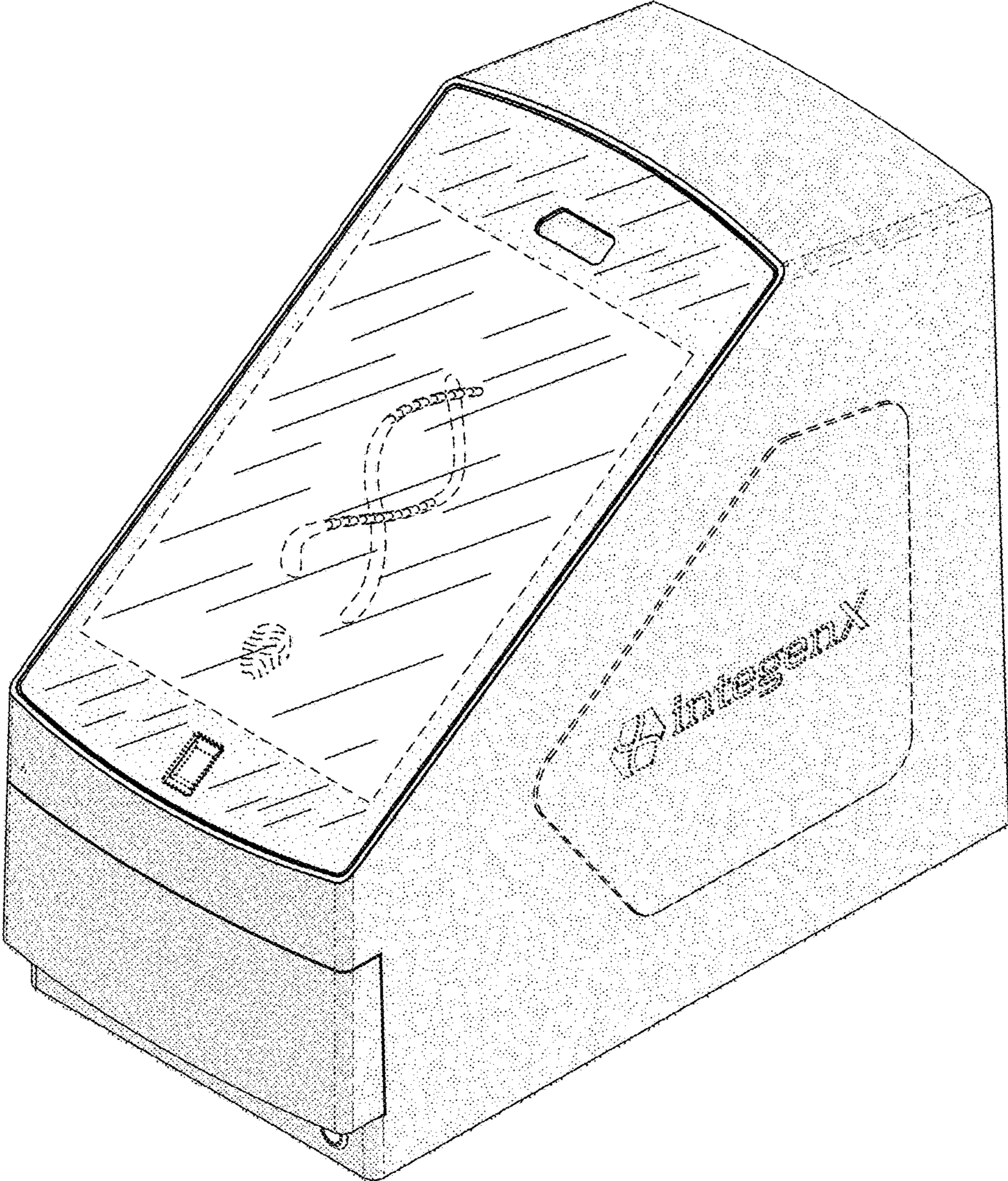


Figure 17

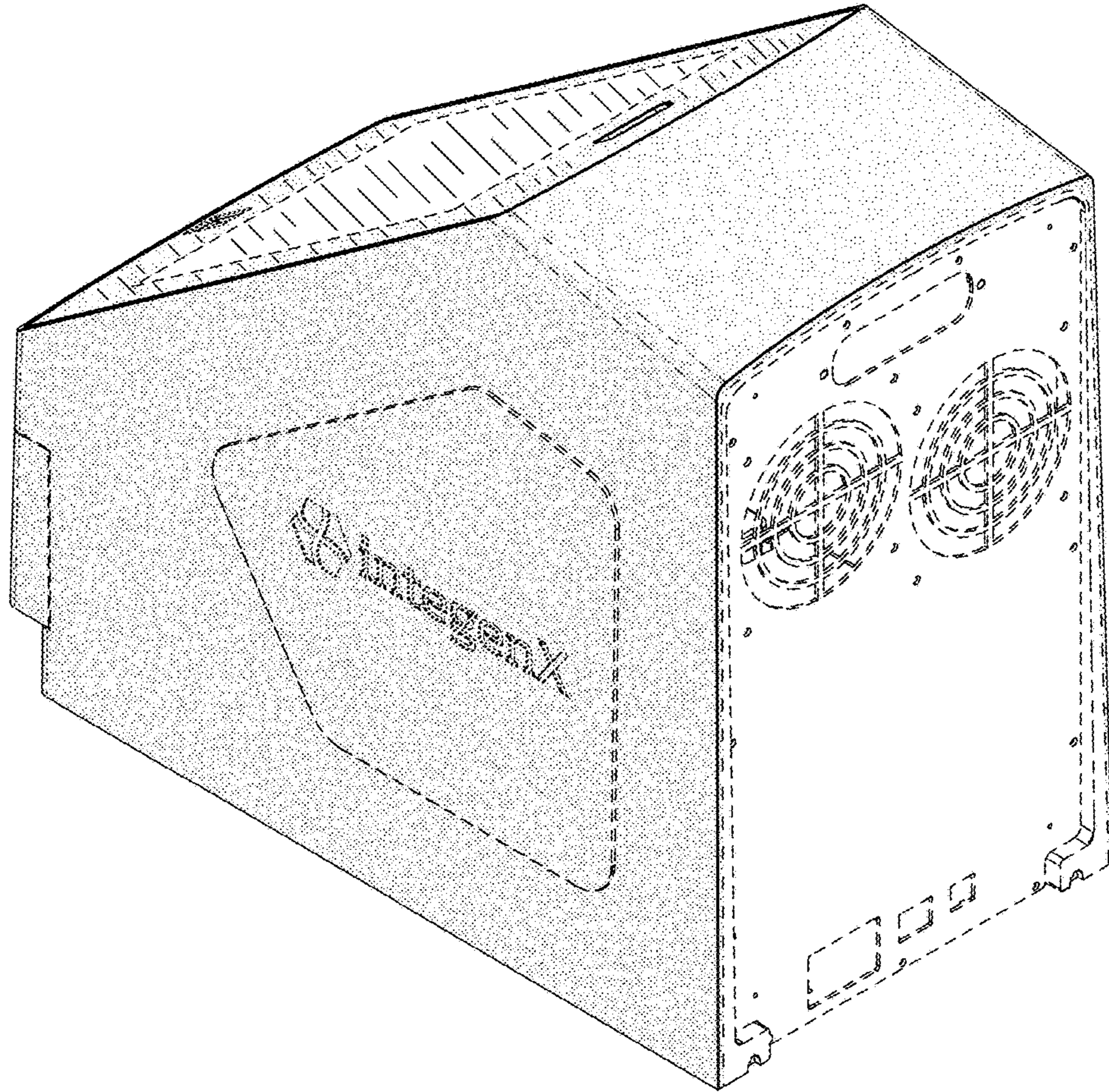


Figure 18

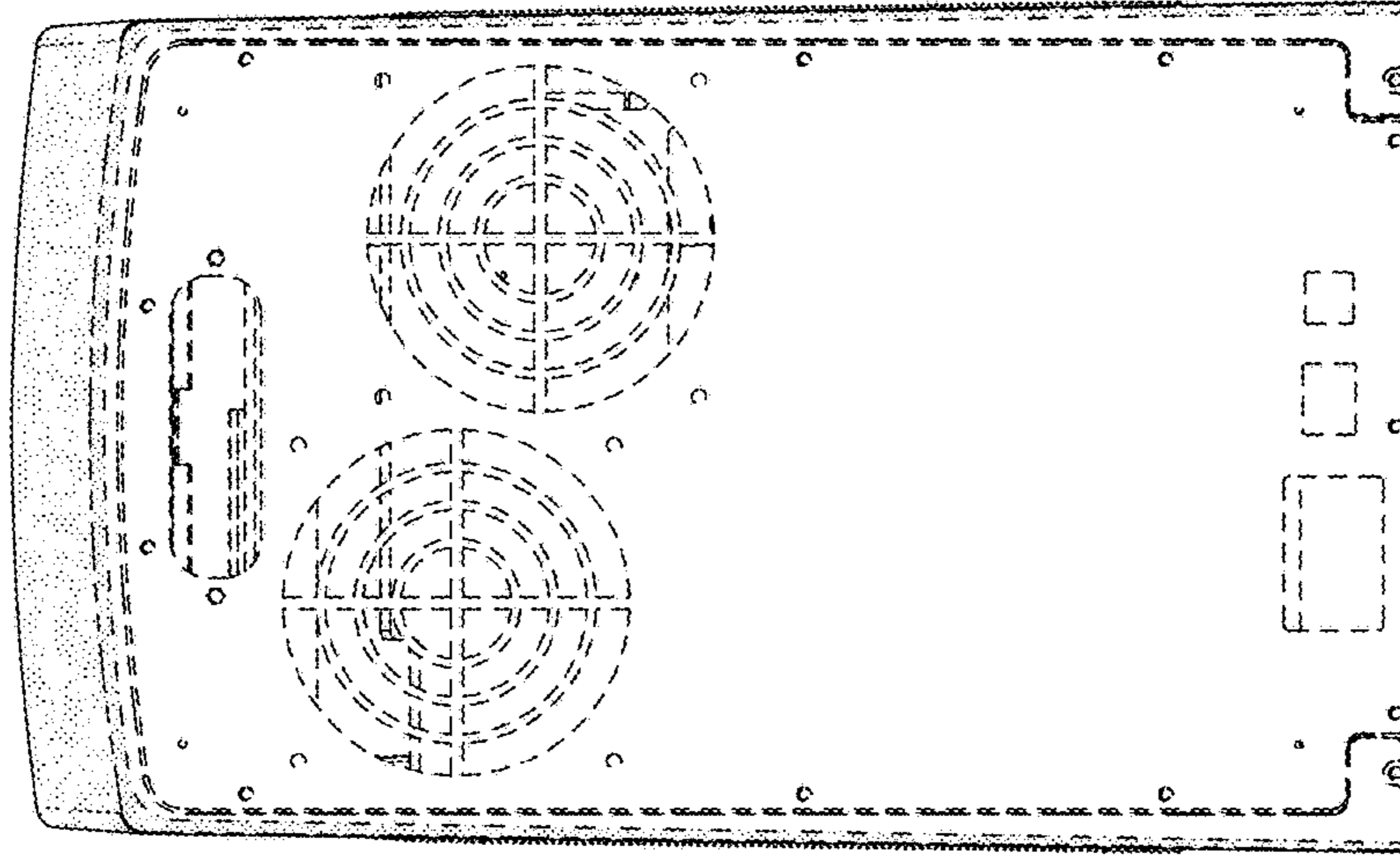


Figure 20

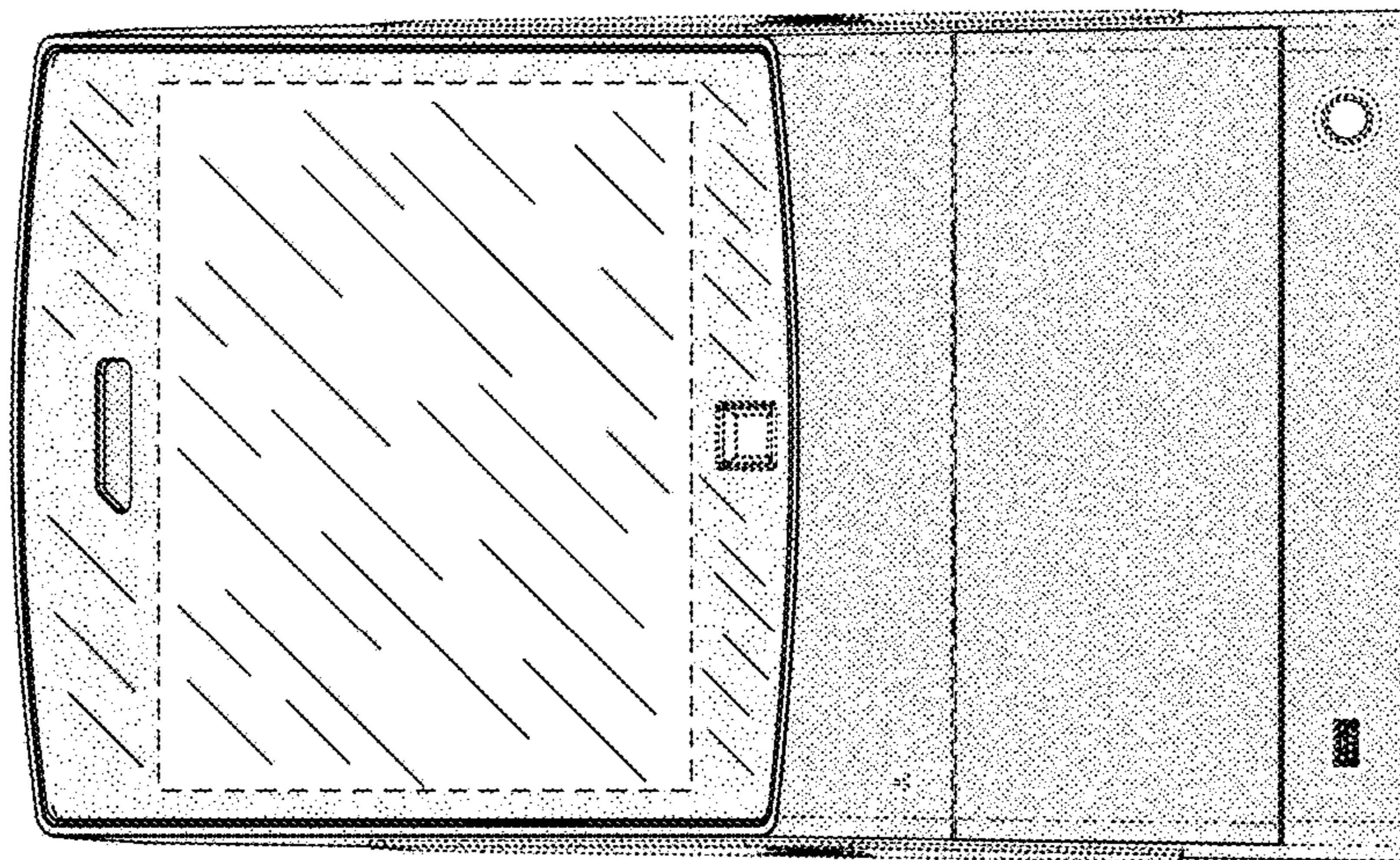


Figure 19

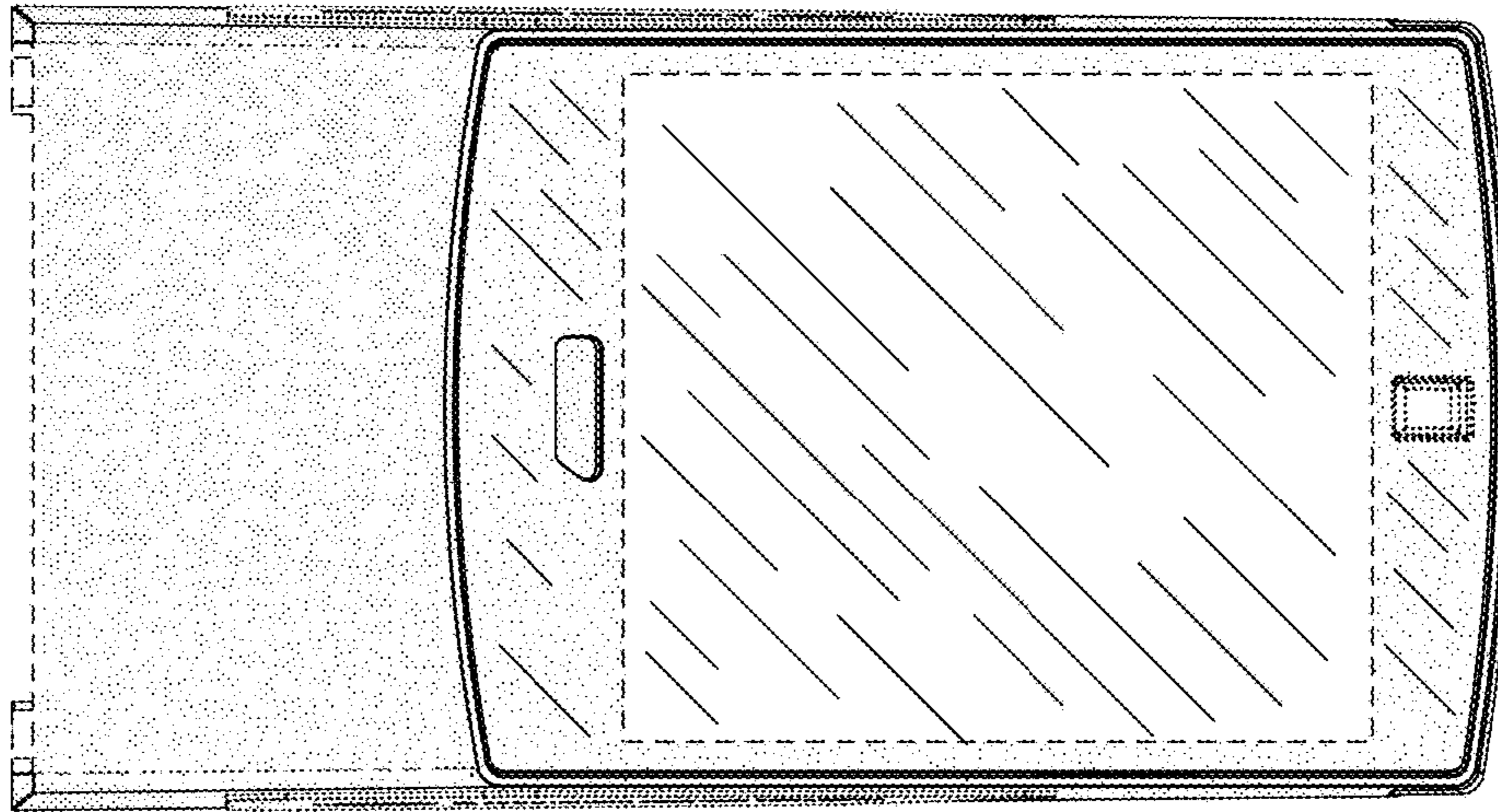


Figure 22

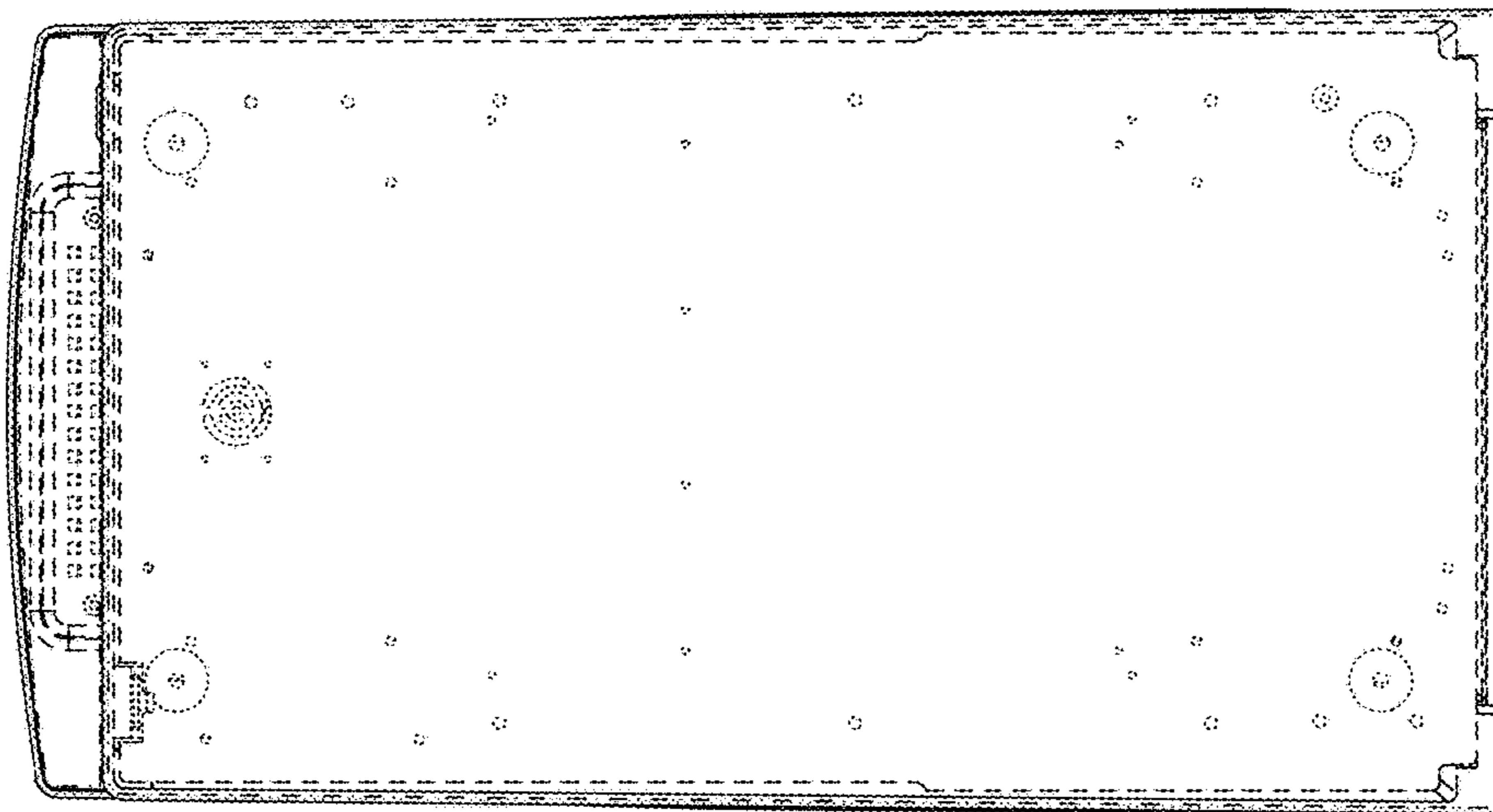


Figure 21

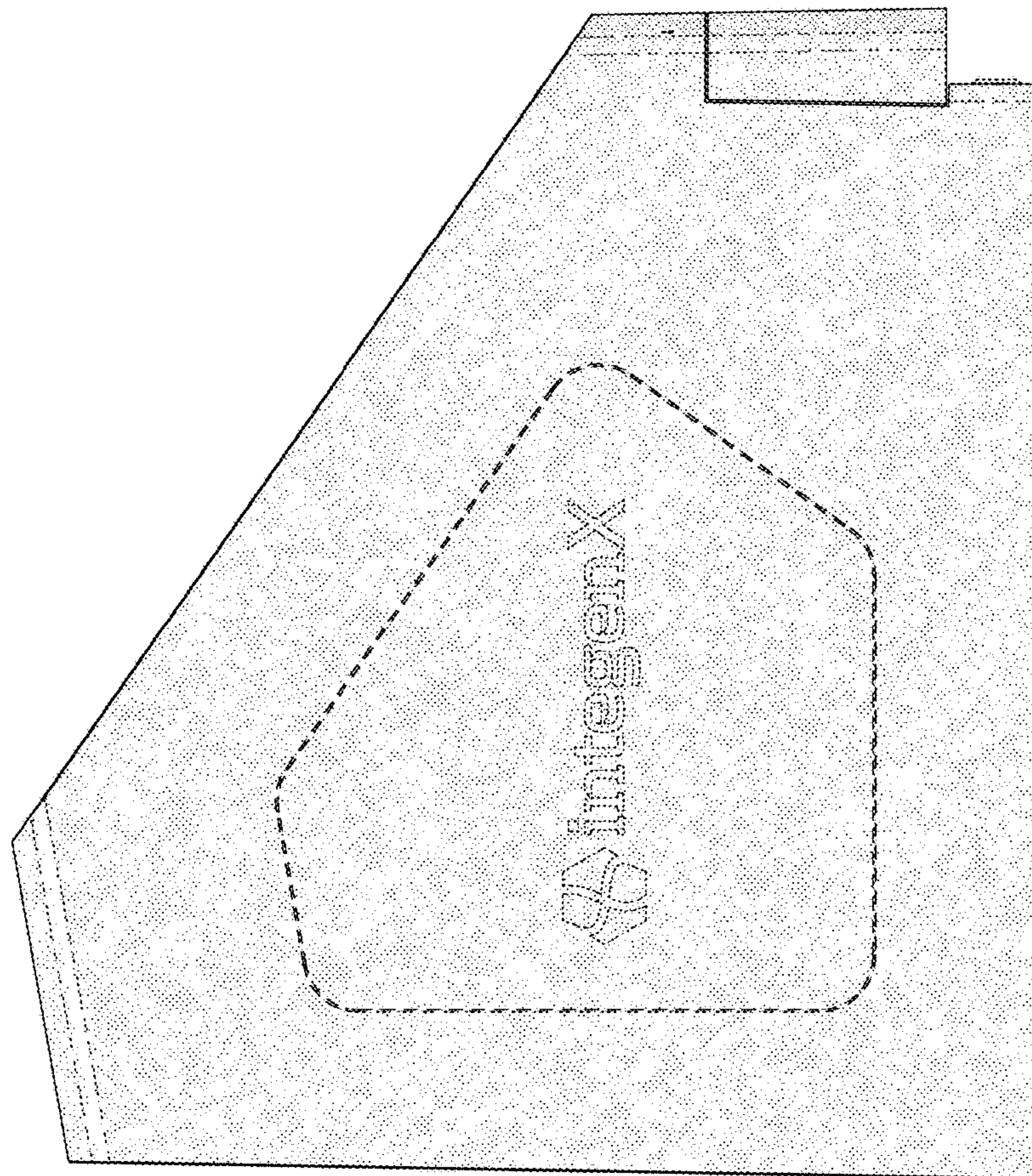


Figure 23

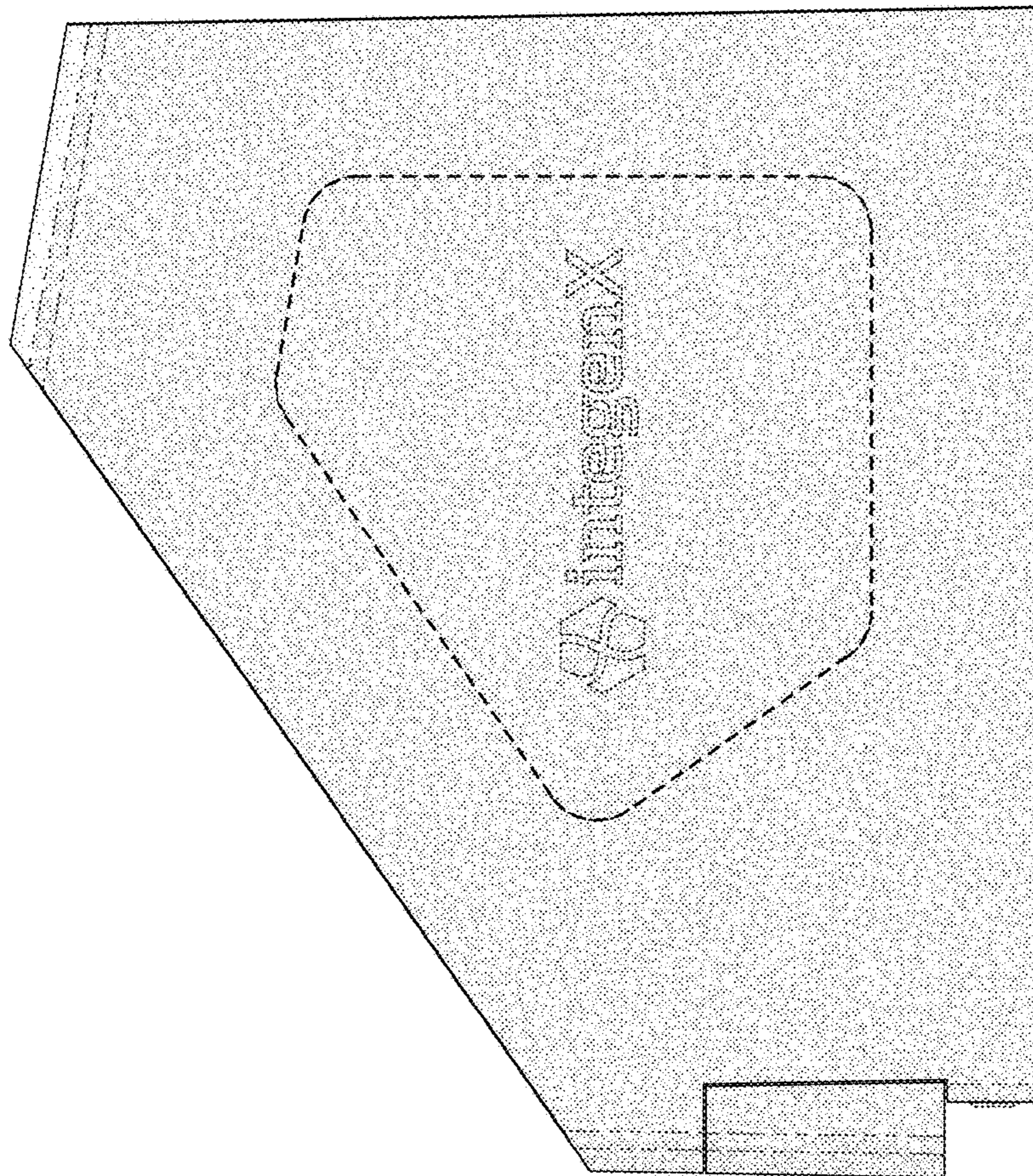


Figure 24

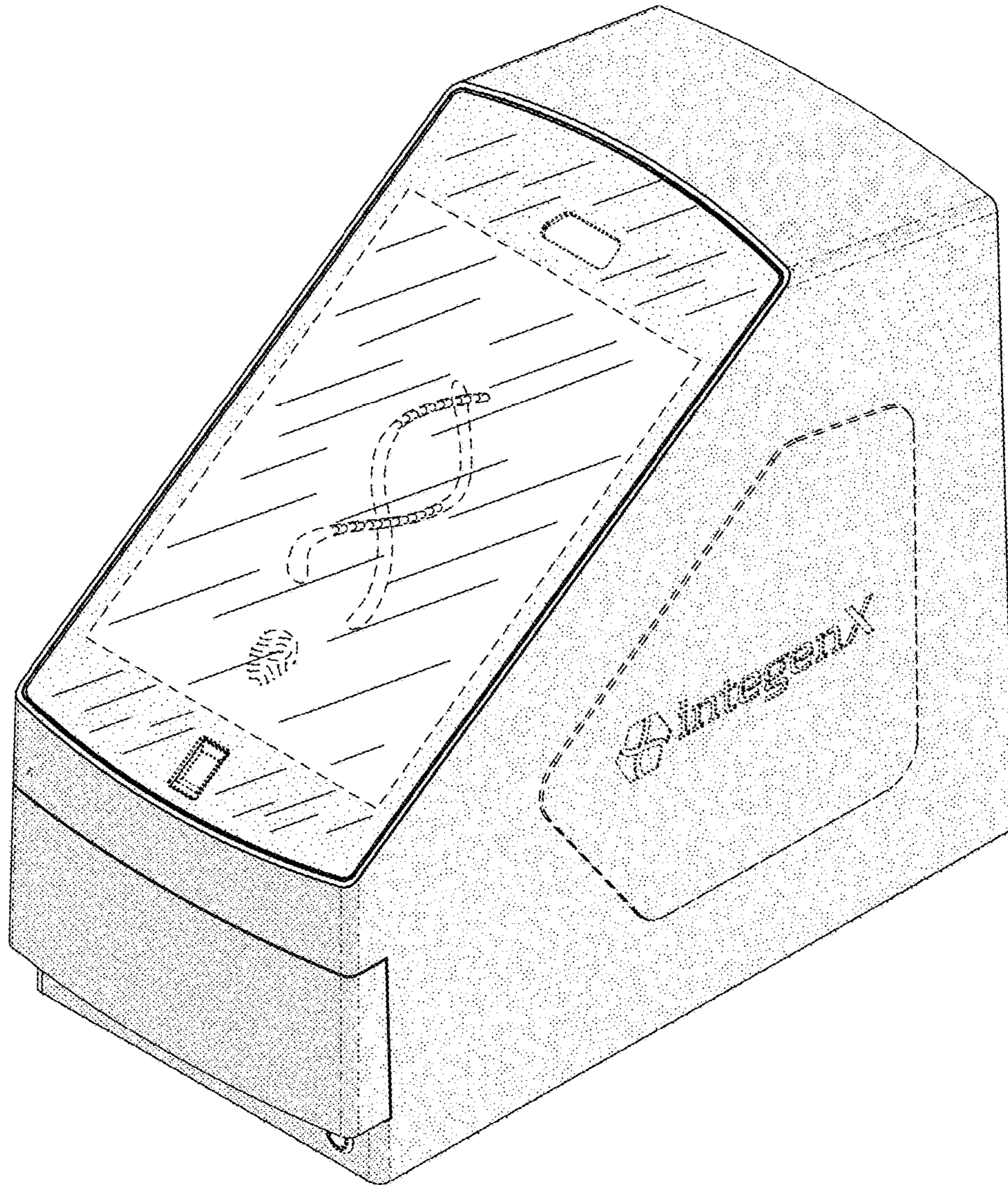


Figure 25

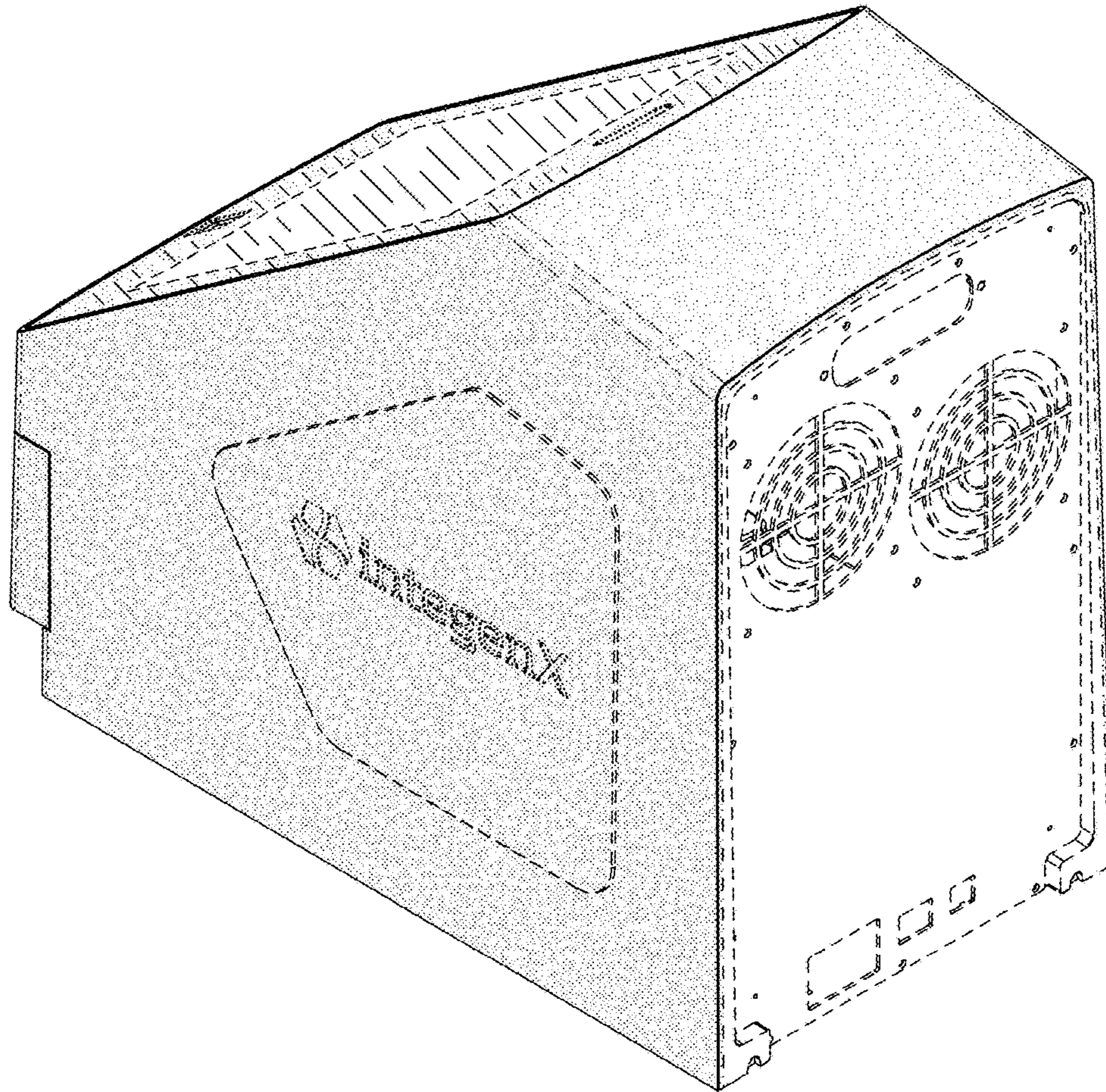


Figure 26

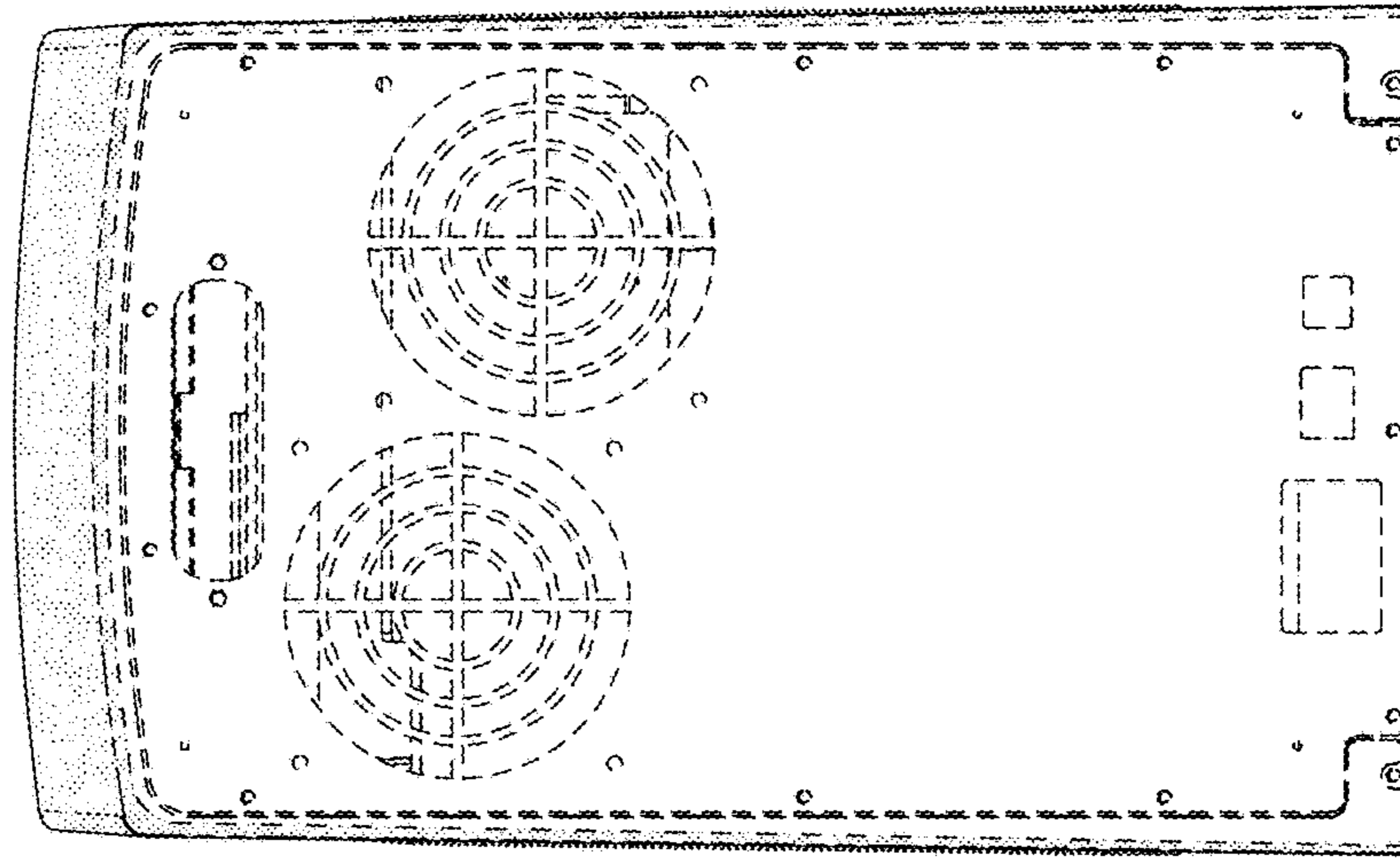


Figure 28

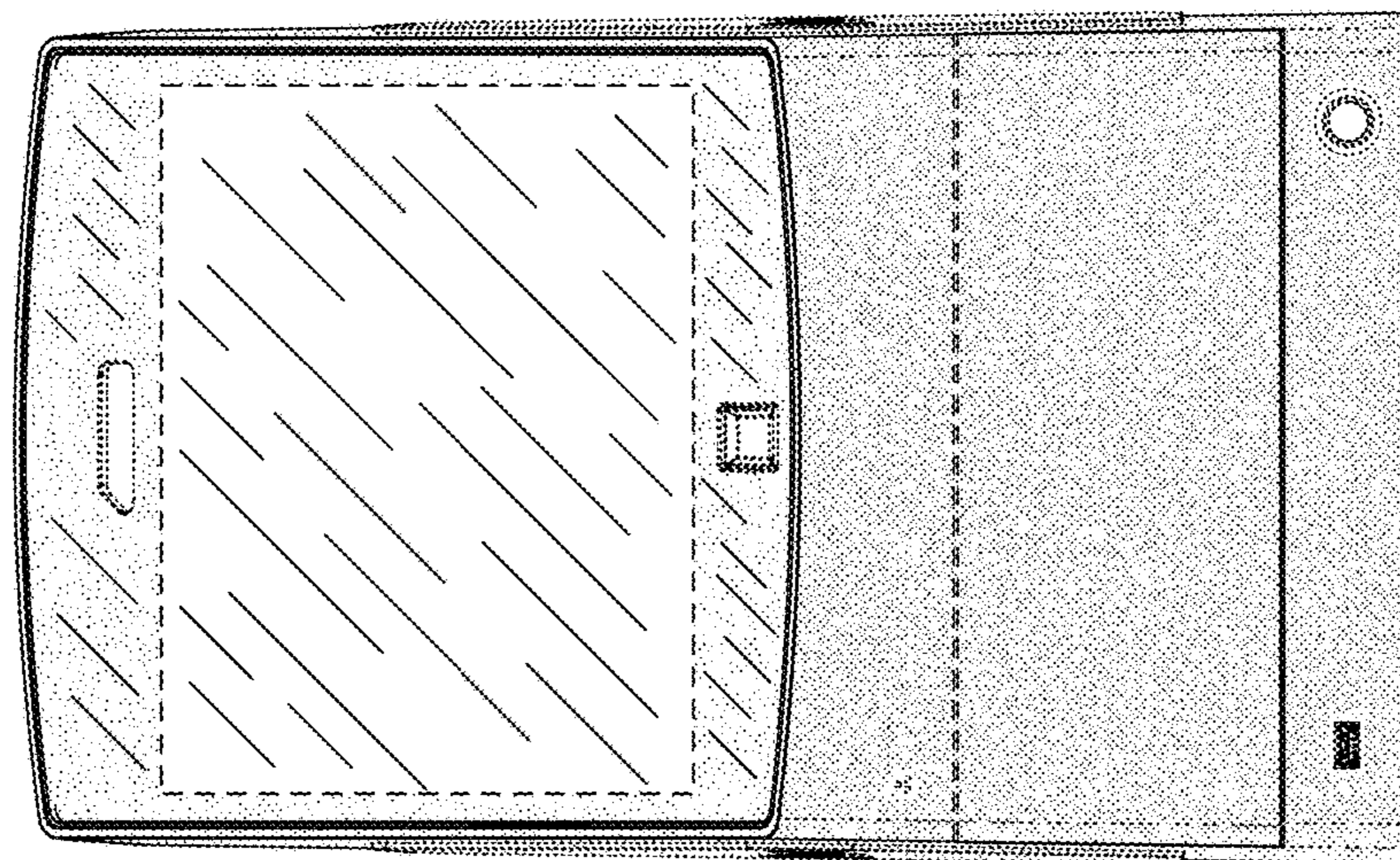


Figure 27

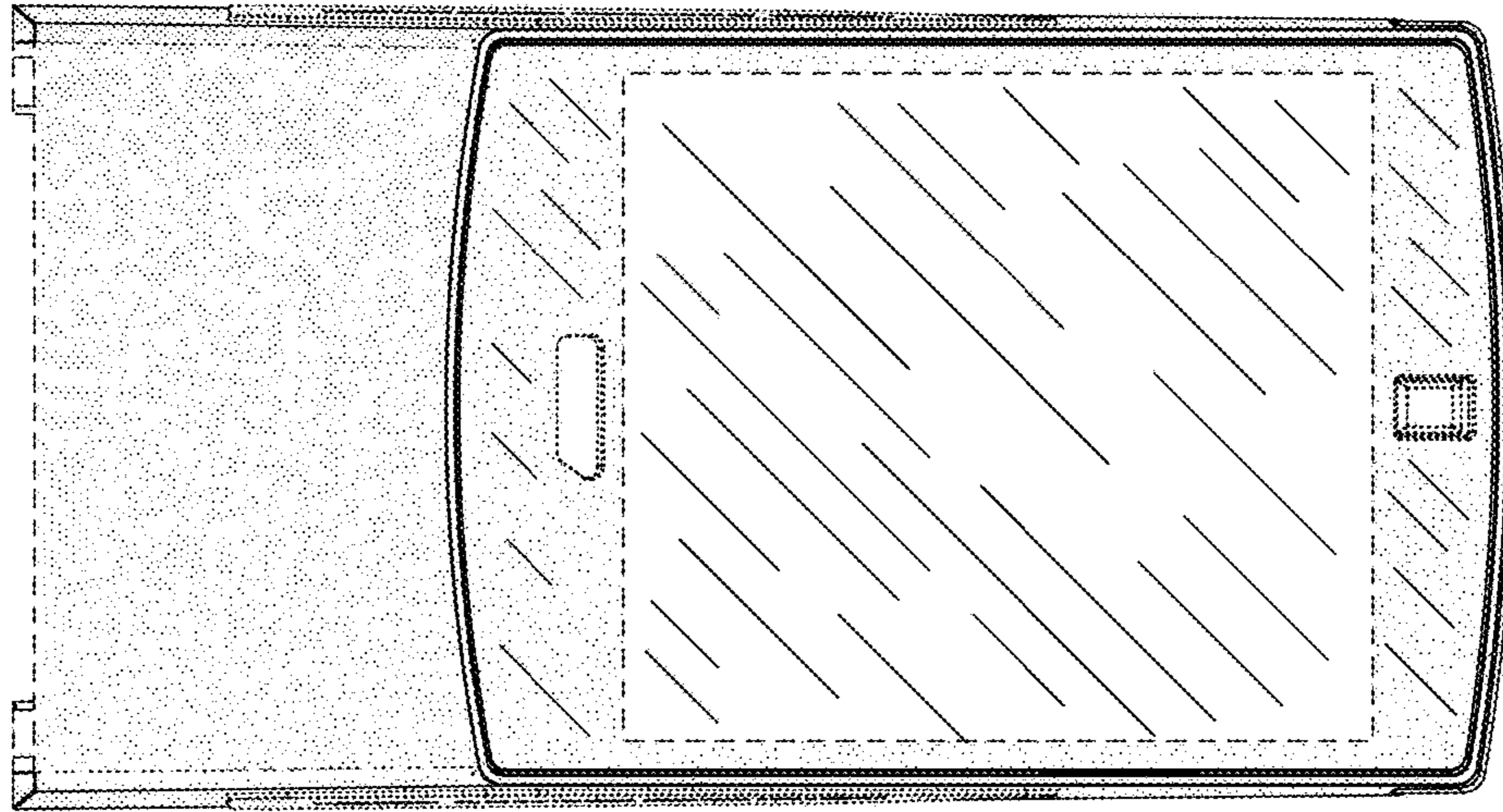


Figure 30

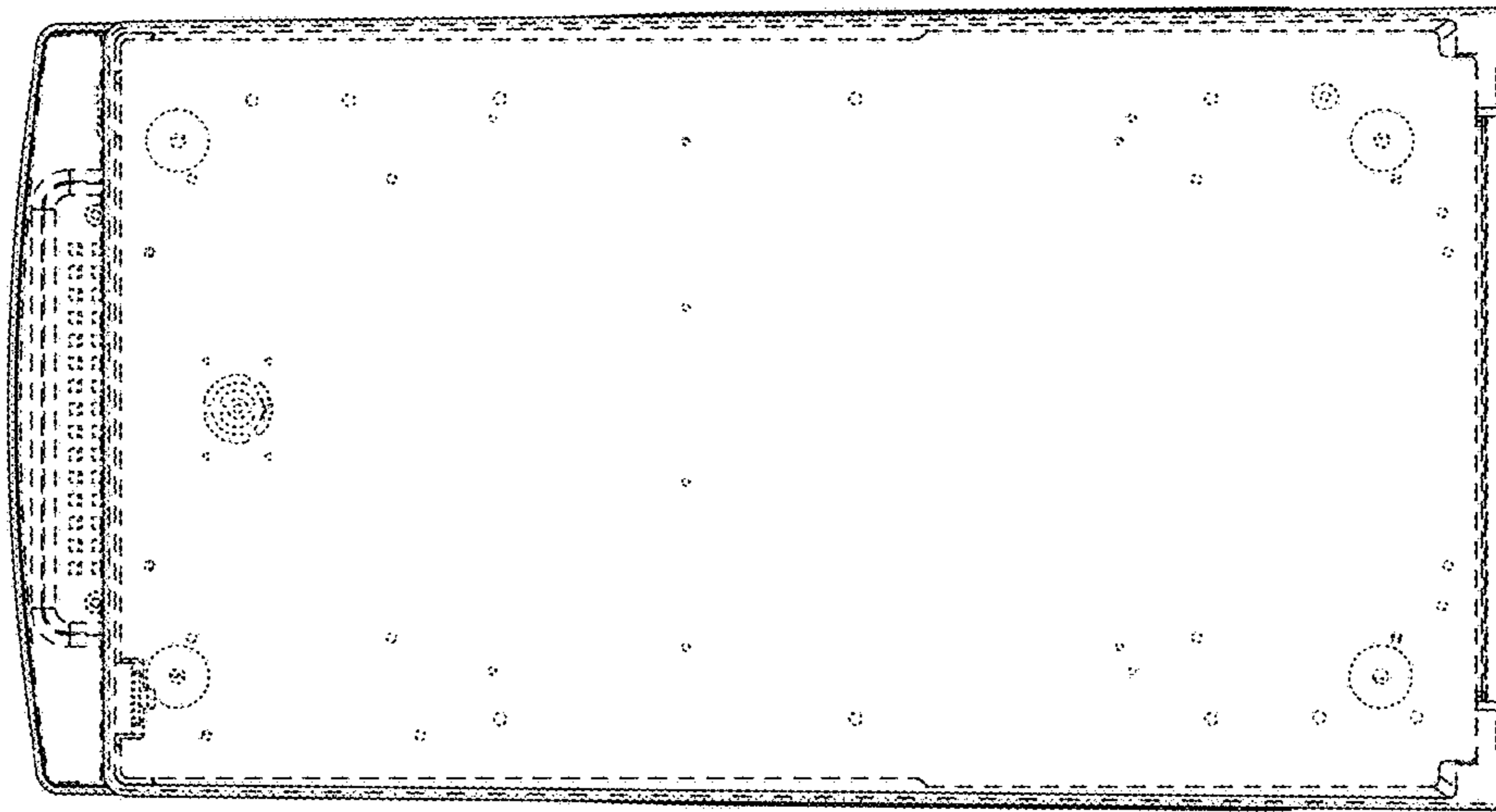


Figure 29

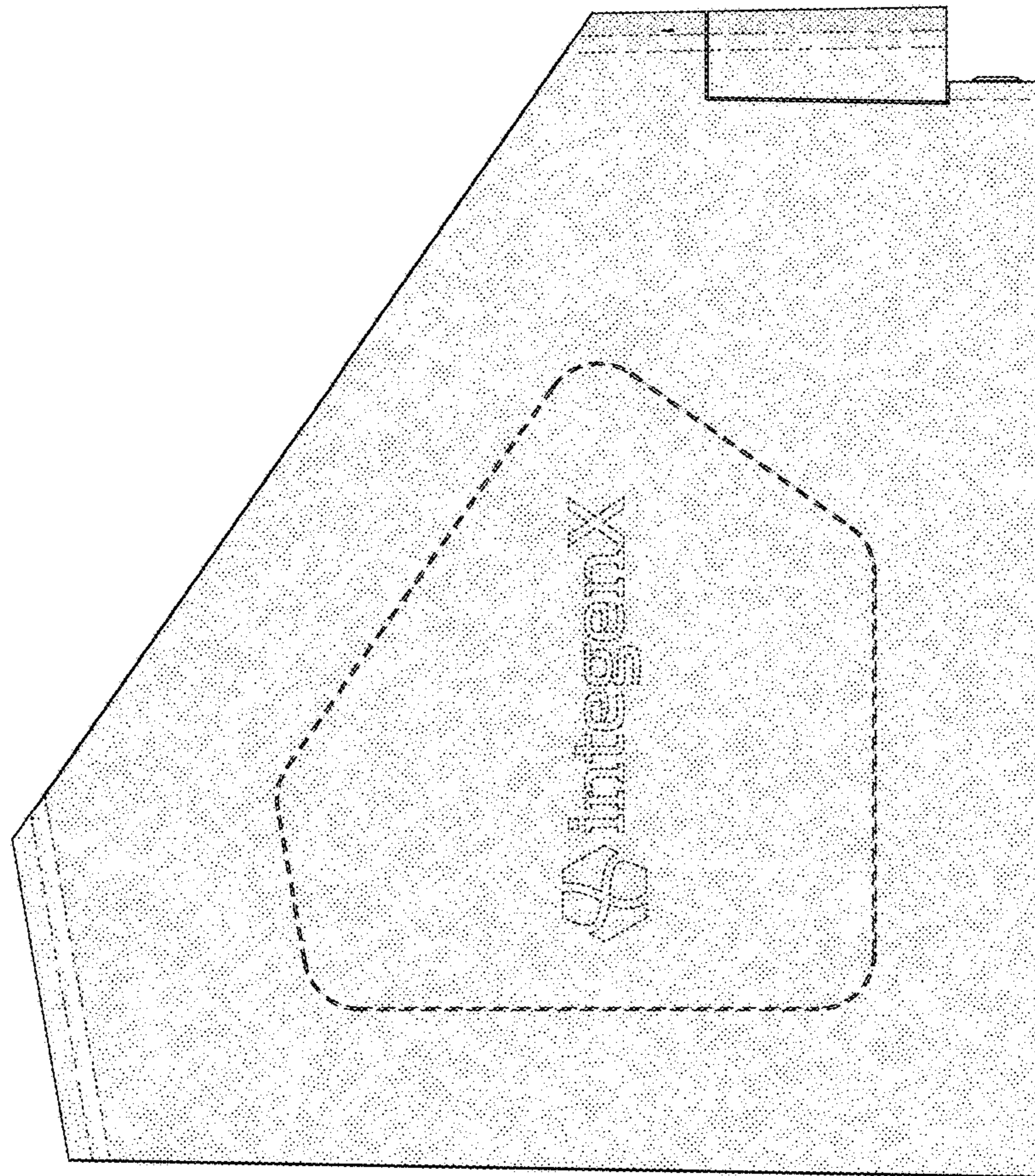


Figure 31

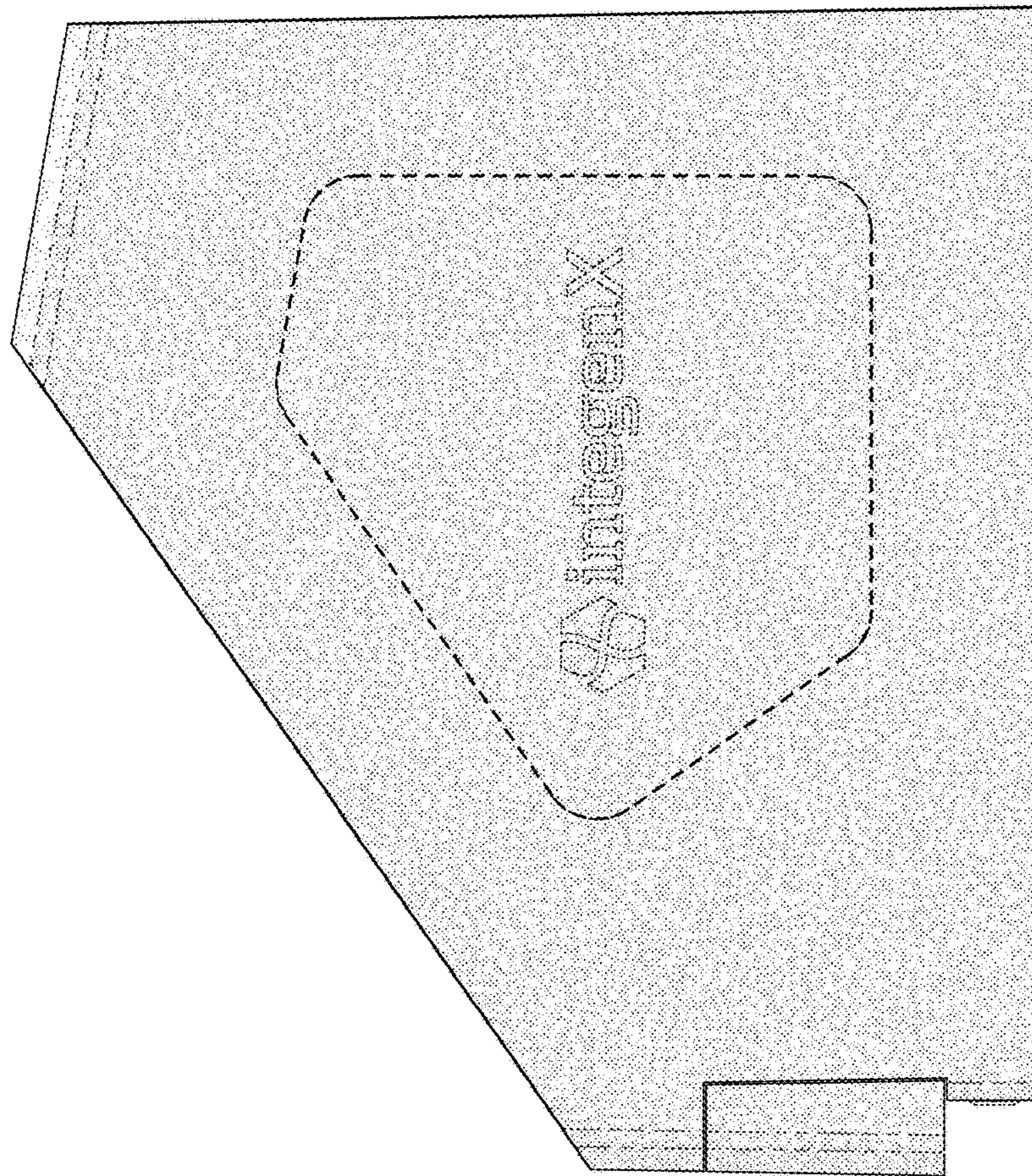


Figure 32