



US00D853872S

(12) **United States Design Patent**
Mäkelä et al.

(10) **Patent No.:** **US D853,872 S**
(45) **Date of Patent:** **** Jul. 16, 2019**

(54) **OPTICAL ANALYZER**

(71) Applicant: **GrainSense Oy**, Oulu (FI)
(72) Inventors: **Mari Mäkelä**, Helsinki (FI); **Janne Pohjonen**, Helsinki (FI)
(73) Assignee: **GrainSense Oy** (FI)
(**) Term: **15 Years**

(21) Appl. No.: **29/627,335**
(22) Filed: **Nov. 27, 2017**

(30) **Foreign Application Priority Data**

Aug. 25, 2017 (EM) 004164655-0002

(51) **LOC (11) Cl.** **10-04**

(52) **U.S. Cl.**
USPC **D10/78; D10/81**

(58) **Field of Classification Search**
USPC D10/46, 78, 81
CPC G01N 21/35; G01N 21/3504; G01N 21/3518; G01N 21/3554; G01N 21/3559; G01N 21/3563; G01N 21/3577; G01N 21/3581; G01N 21/3586; G01N 21/359; G01N 21/37; G01N 2021/3509; G01N 2021/3513; G01N 2021/3522; G01N 2021/3527; G01N 2021/3531; G01N 2021/3536; G01N 2021/354; G01N 2021/3545; G01N 2021/355; G01N 2021/3568; G01N 2021/3572; G01N 2021/3595

See application file for complete search history.

(56) **References Cited**

U.S. PATENT DOCUMENTS

6,483,320 B1 * 11/2002 Makita G01D 5/24
324/555

* cited by examiner

Primary Examiner — Antoine Duval Davis

(74) *Attorney, Agent, or Firm* — Jeffrey Joyce, Esq.

(57) **CLAIM**

The ornamental design for an optical analyzer, as shown and described.

DESCRIPTION

FIG. 1 is a perspective view of the optical analyzer according to the invention showing the top, front and side.

FIG. 2 is a perspective view of the optical analyzer showing the top, rear and side.

FIG. 3 is a perspective view of the optical analyzer showing the bottom, rear and side.

FIG. 4 is a perspective view of the optical analyzer showing the bottom, front and side.

FIG. 5 is a front view of the optical analyzer.

FIG. 6 is a rear view of the optical analyzer.

FIG. 7 is a left side view of optical analyzer.

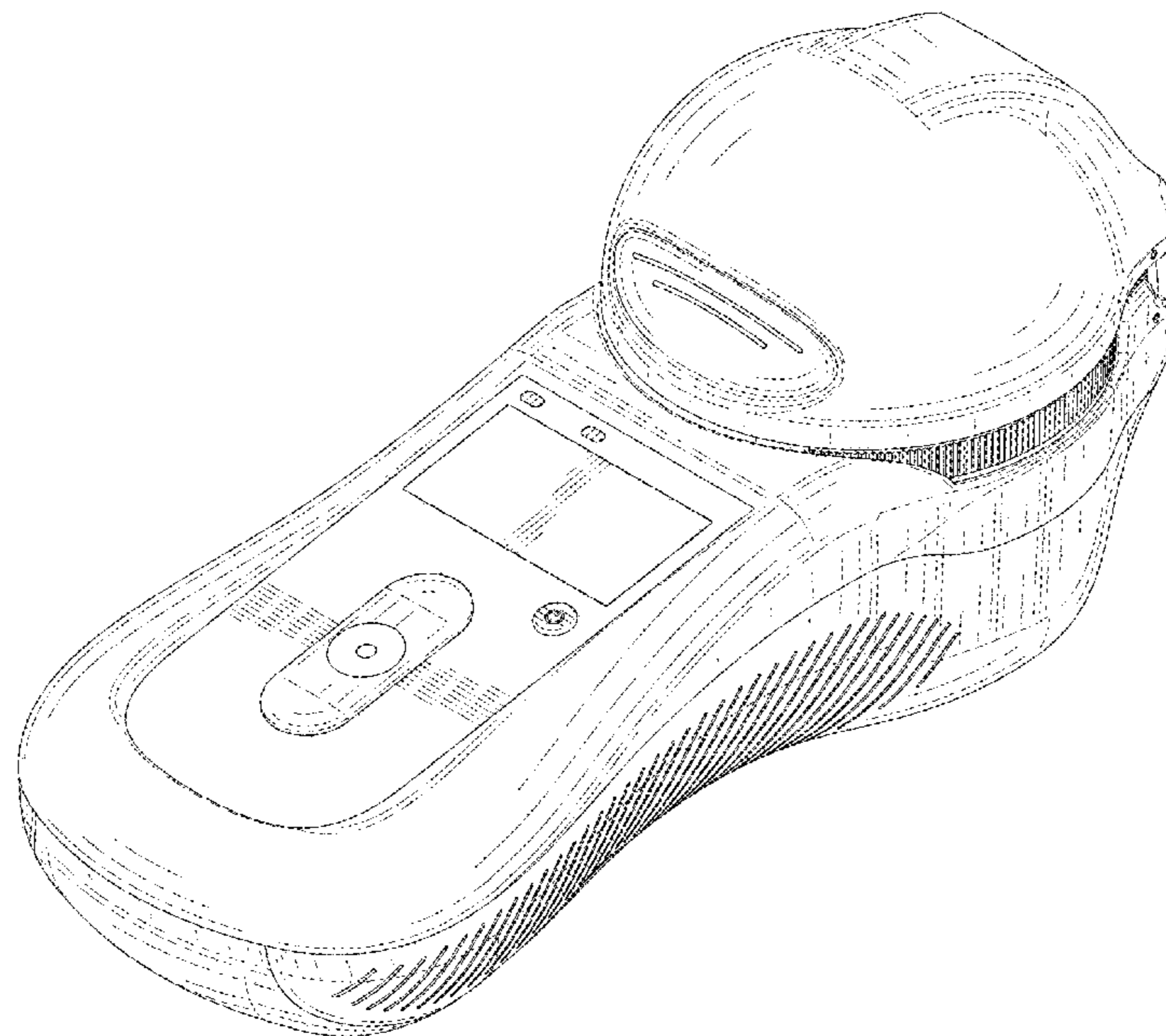
FIG. 8 is a right side view of the optical analyzer.

FIG. 9 is a top view of the optical analyzer; and,

FIG. 10 is a bottom view of the optical analyzer.

The broken lines are for the purpose of illustrating the environment of the article only and form no part of the claimed design.

1 Claim, 9 Drawing Sheets



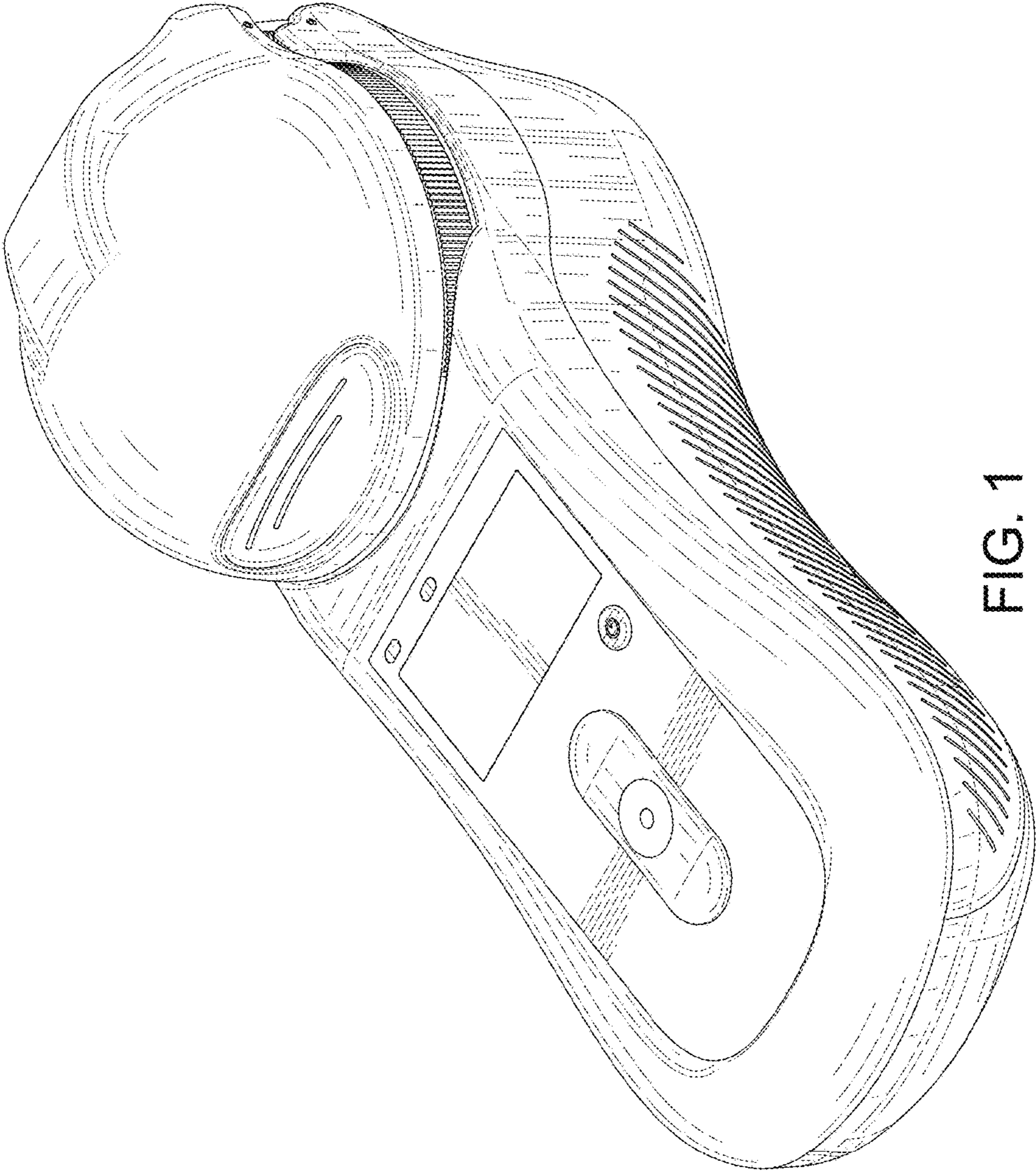


FIG. 1

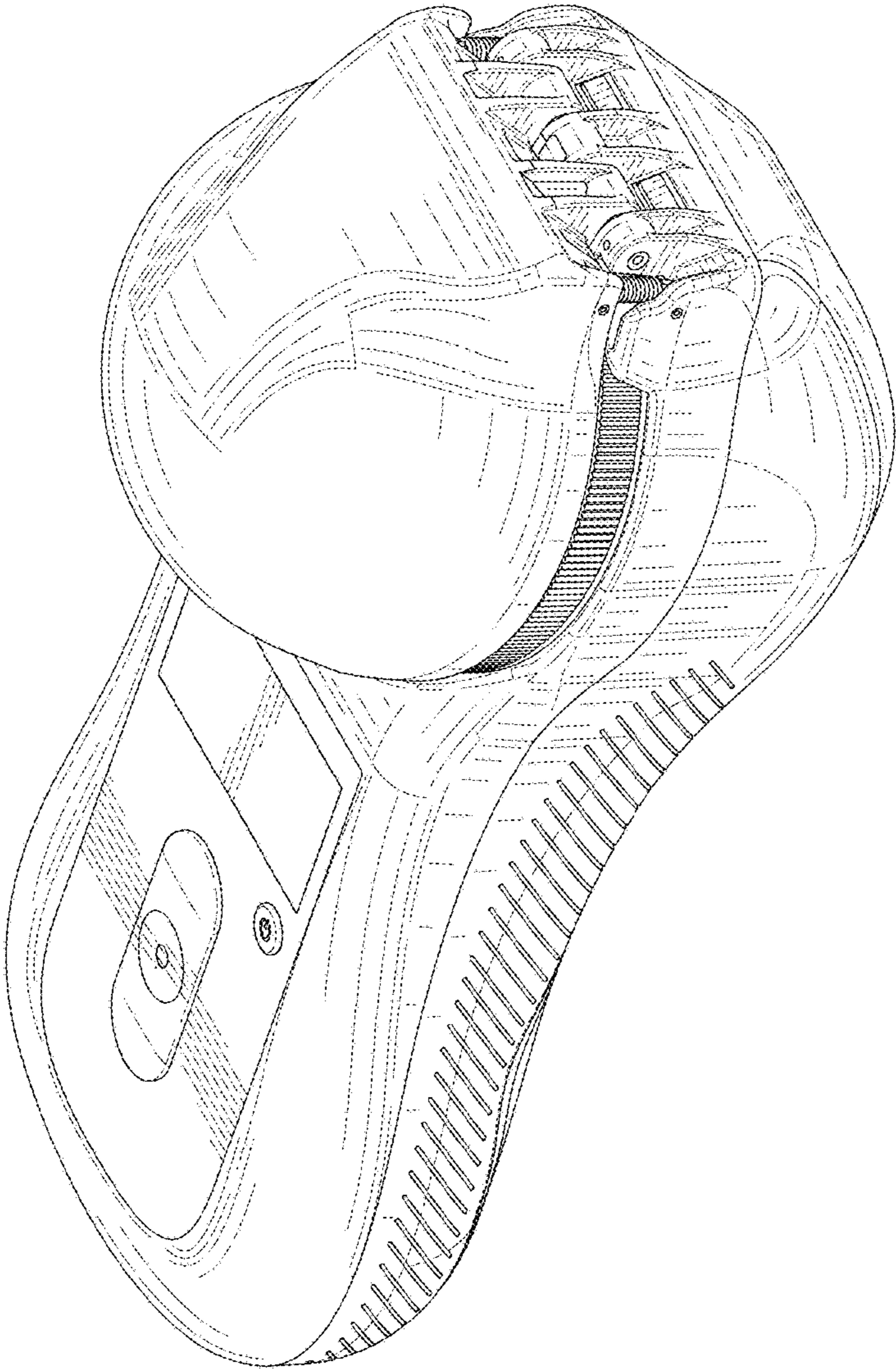


FIG. 2

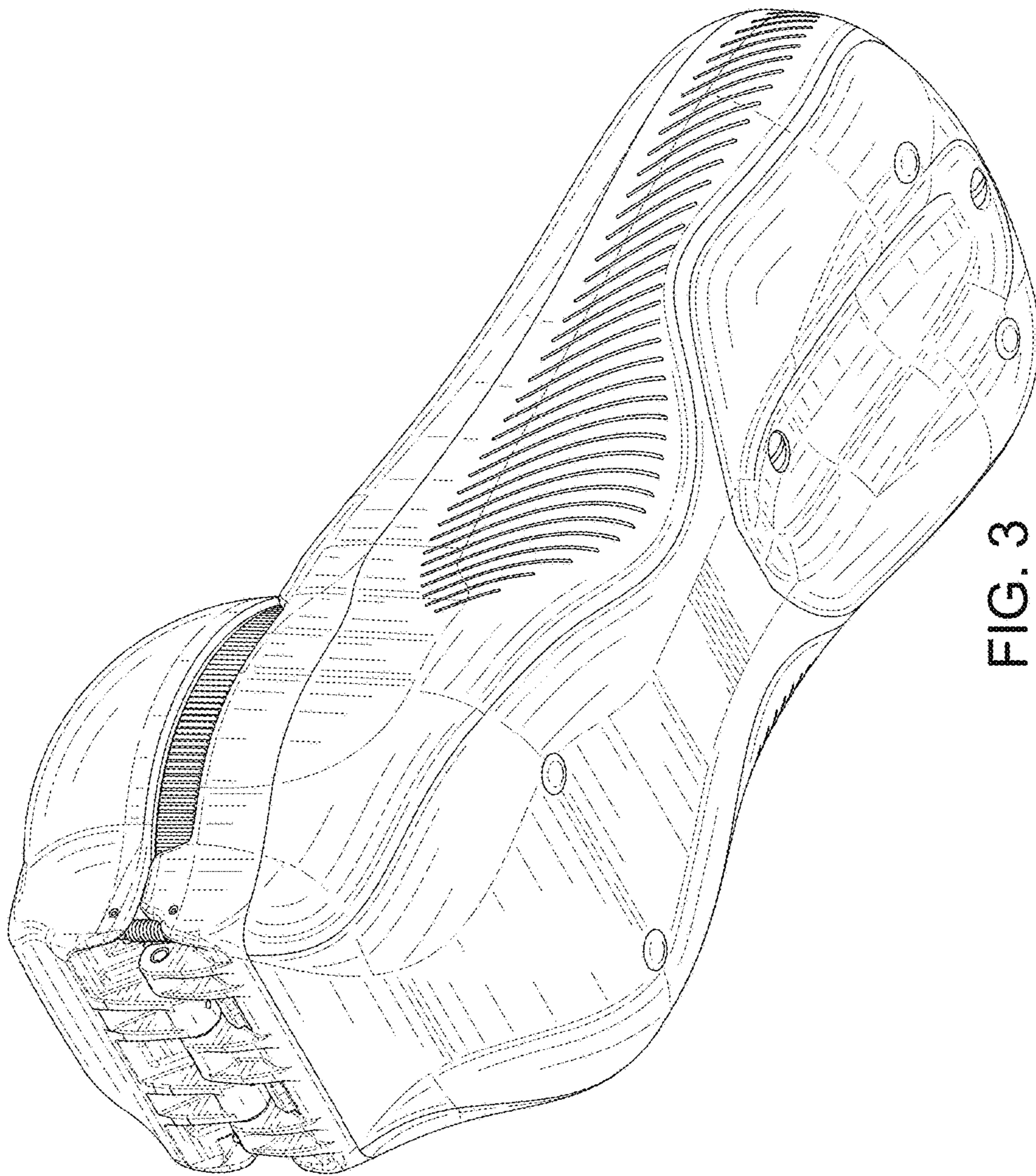


FIG. 3

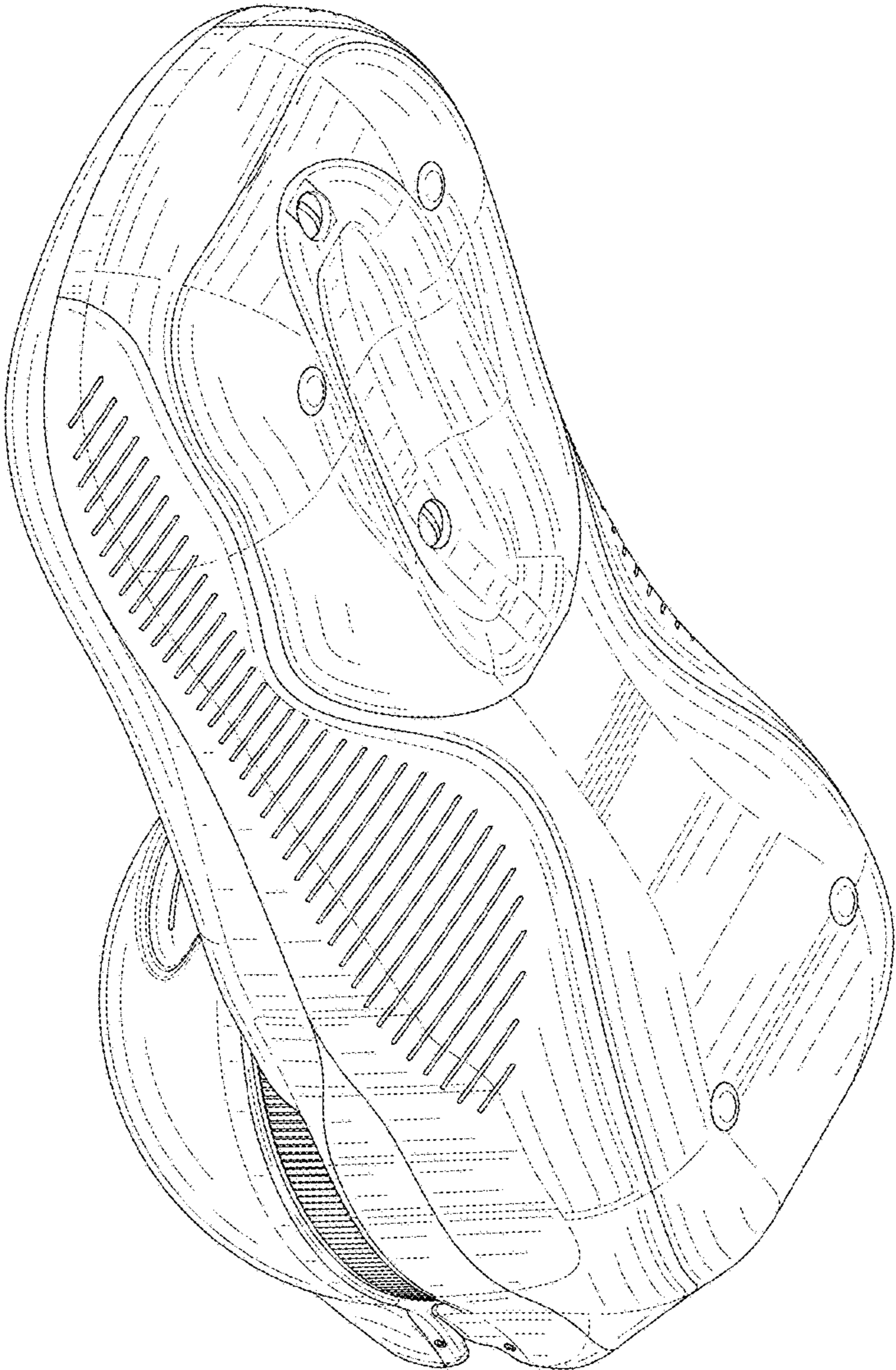


FIG. 4

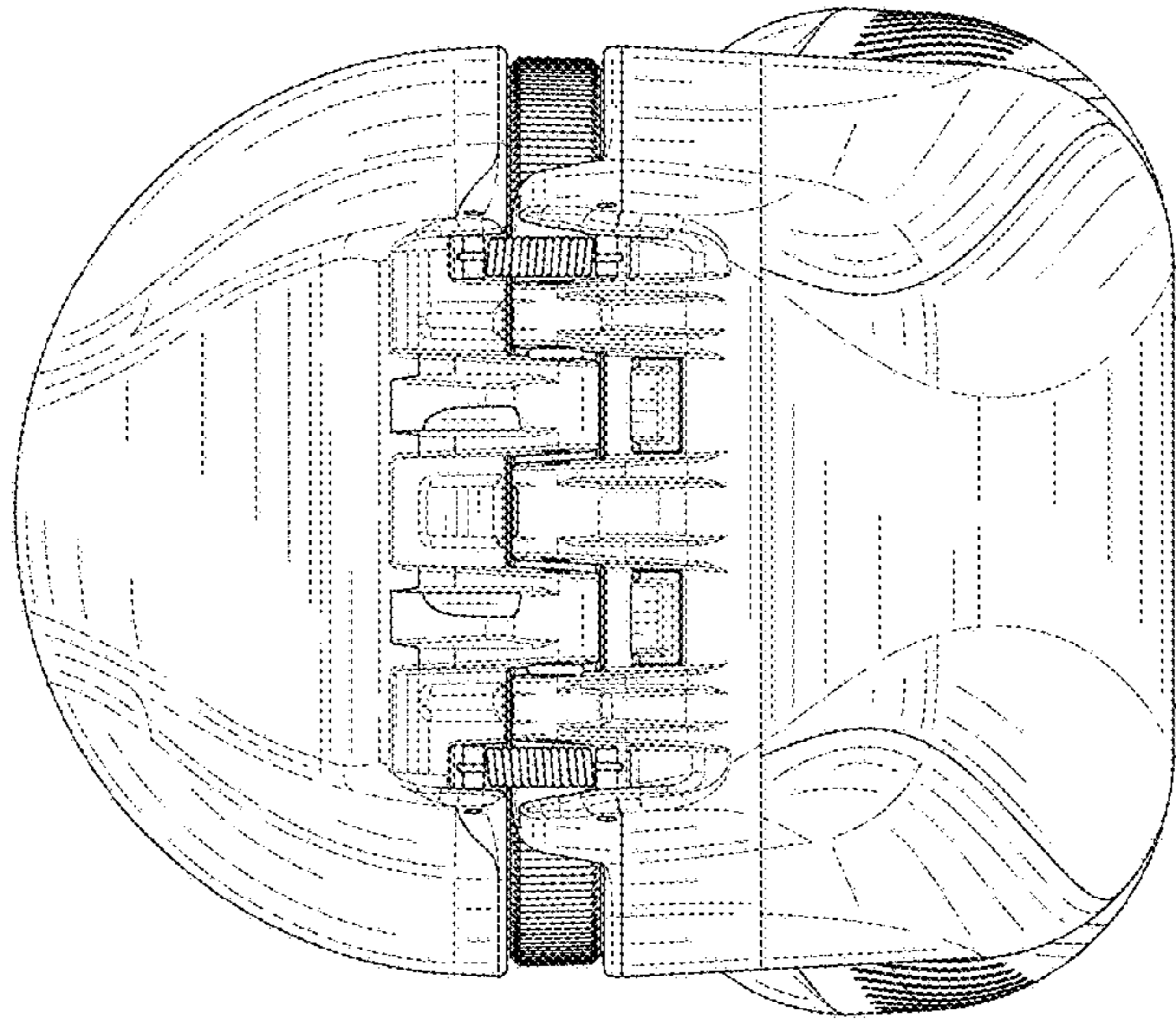


FIG. 5

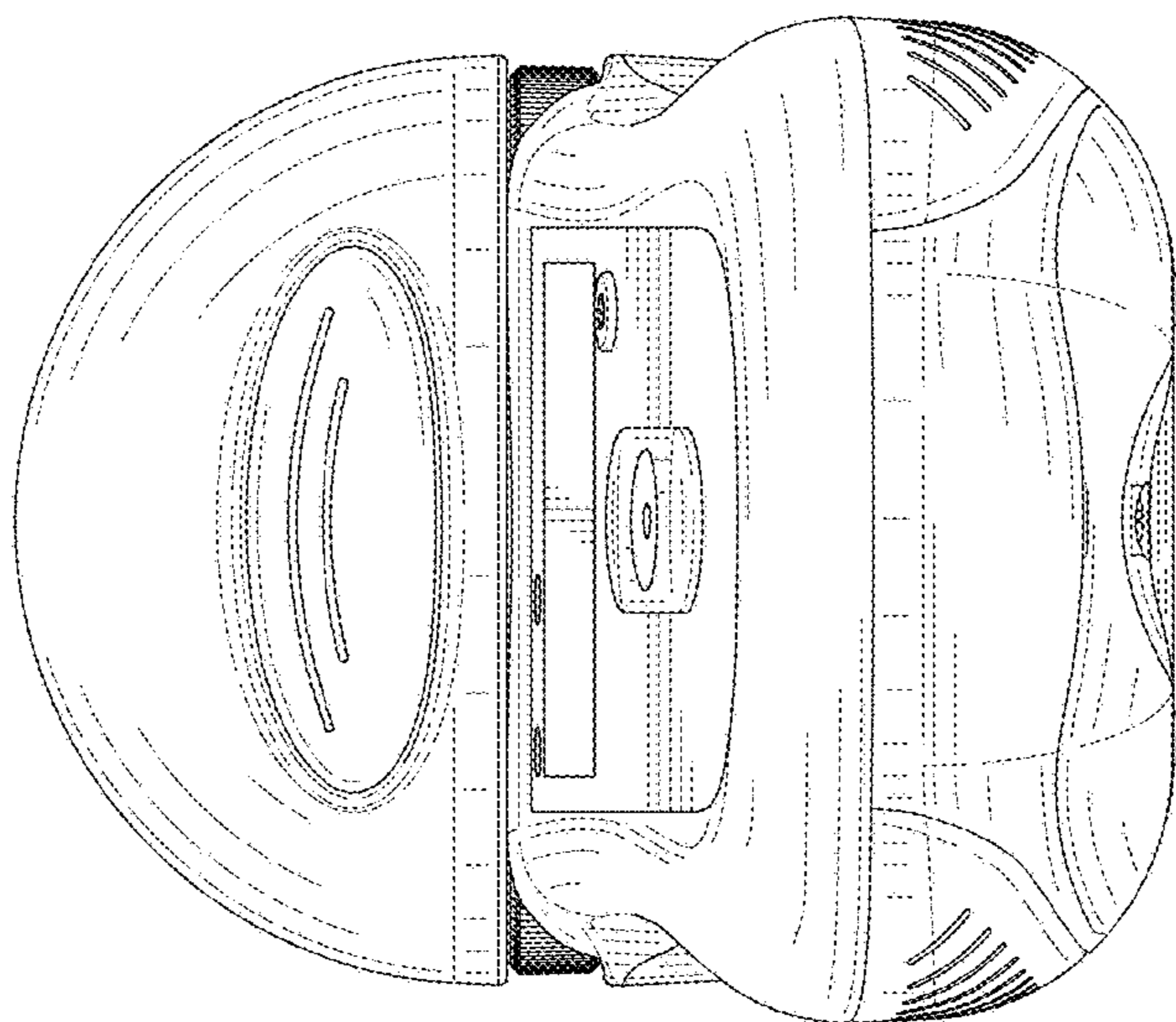


FIG. 6

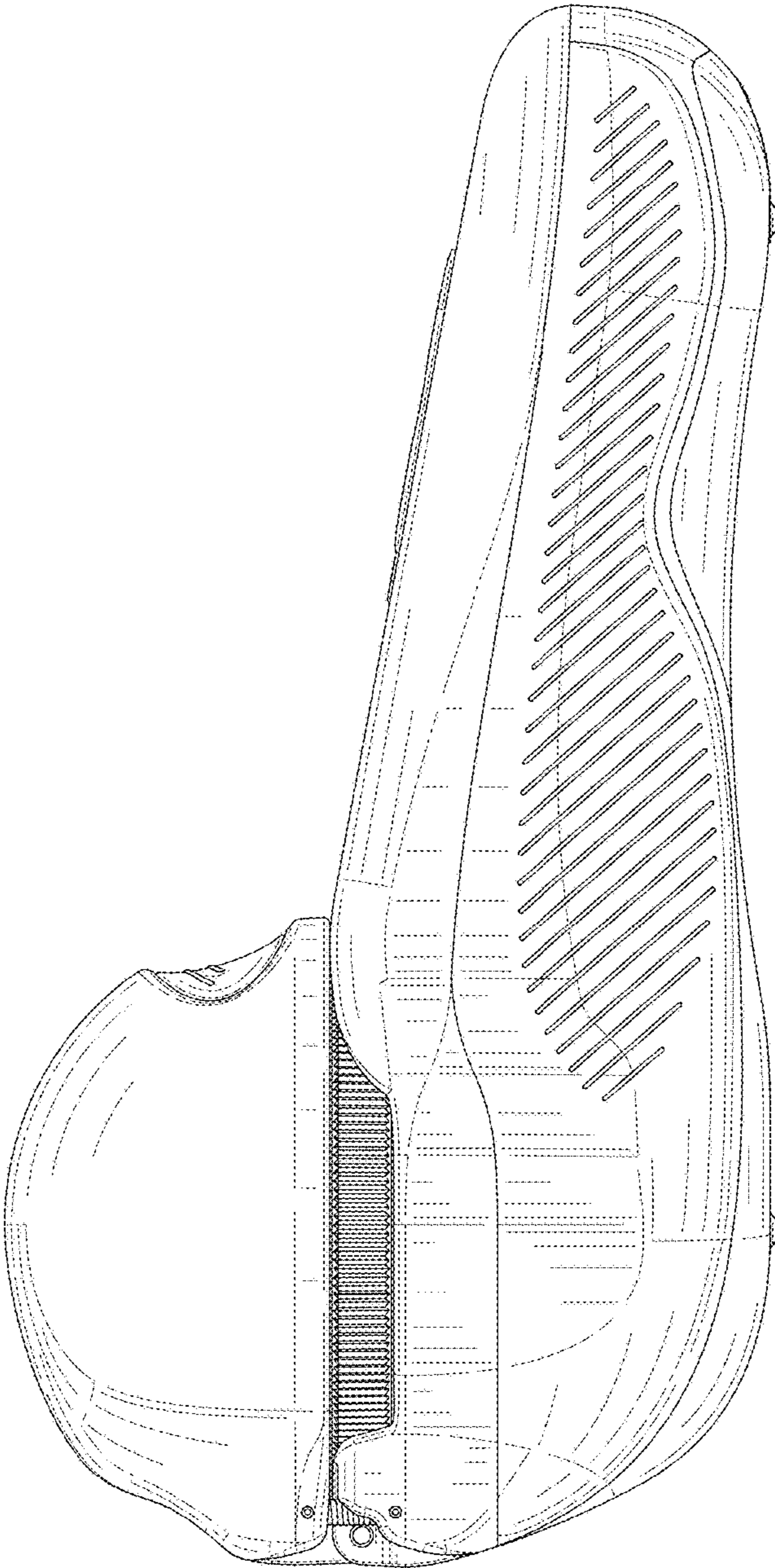


FIG. 7

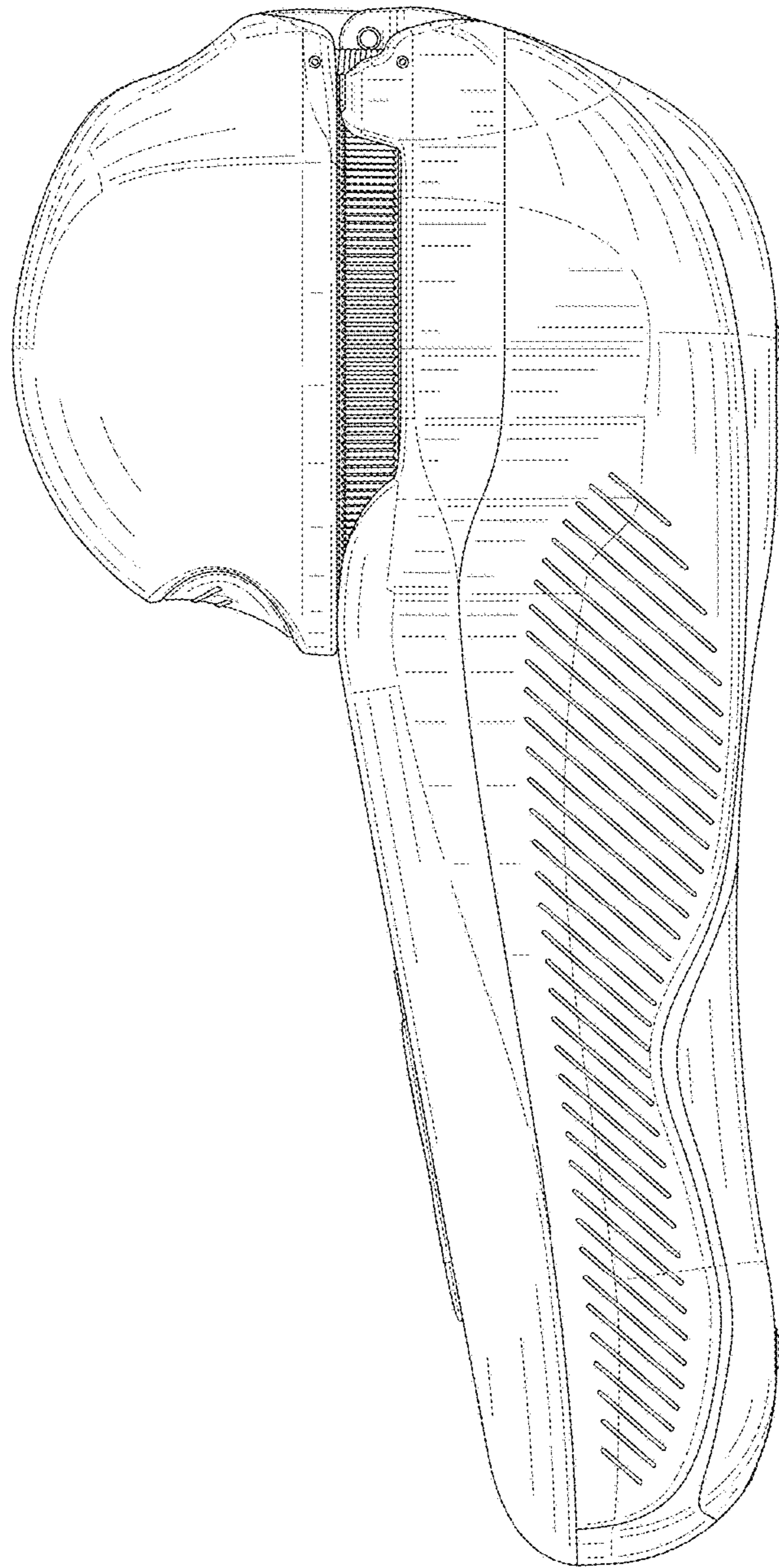


FIG. 8

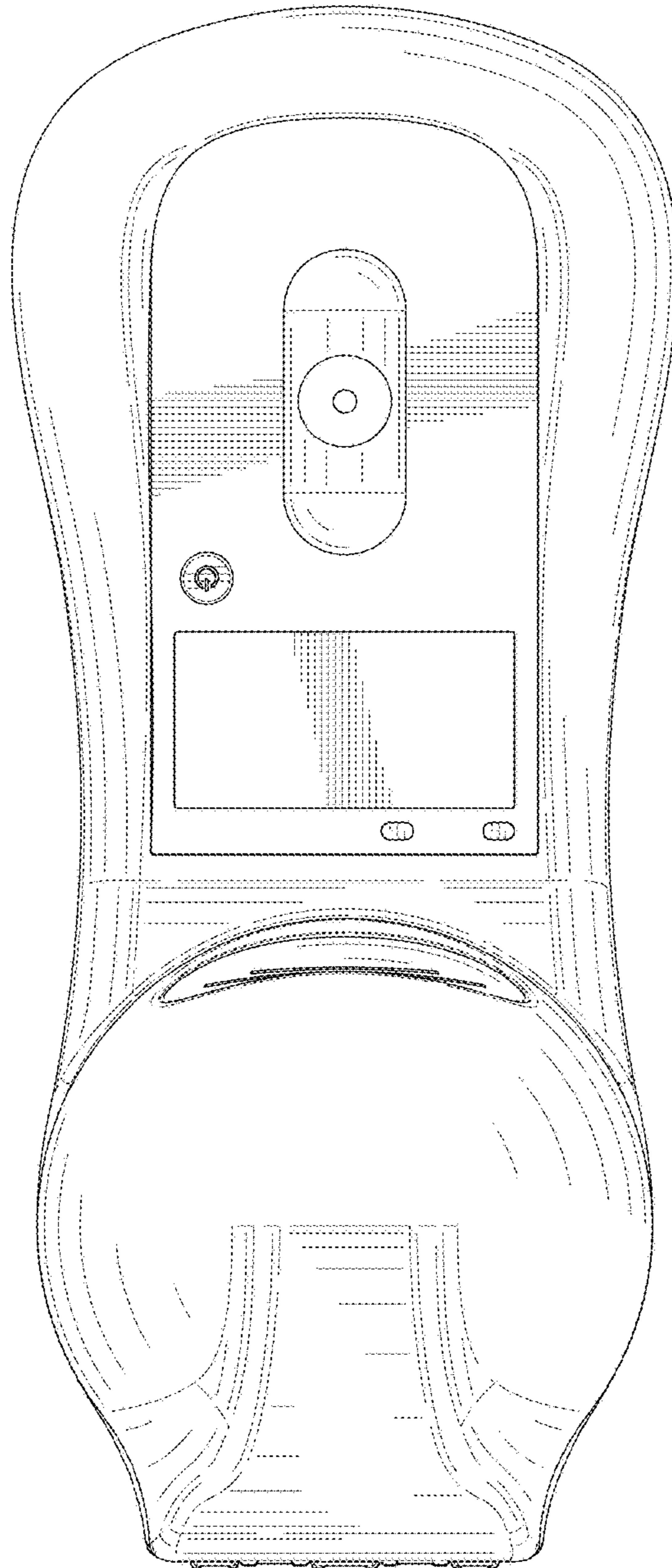


FIG. 9

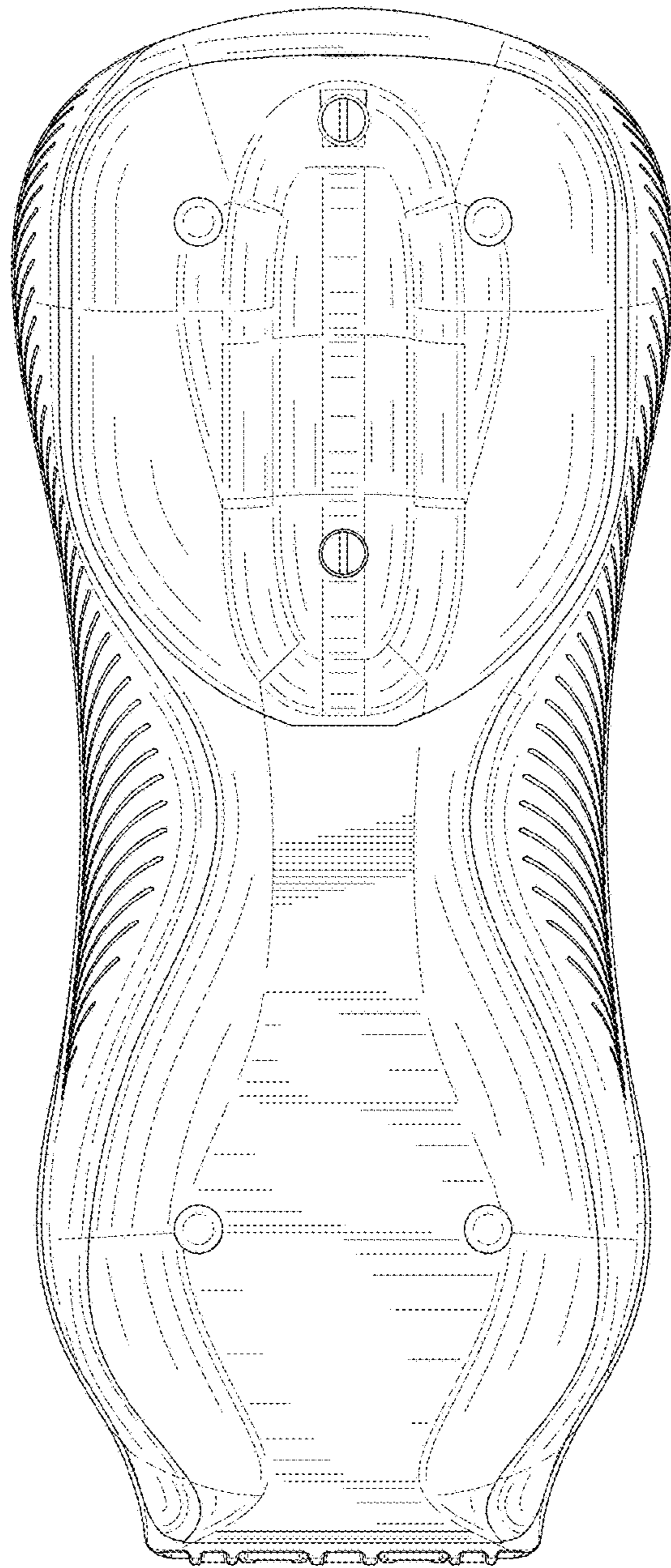


FIG. 10