



US00D853870S

(12) **United States Design Patent**
Barrat

(10) **Patent No.:** **US D853,870 S**

(45) **Date of Patent:** **** Jul. 16, 2019**

(54) **CURRENT MEASURING SENSOR**
(71) Applicant: **LEM INTELLECTUAL PROPERTY SA, Fribourg (CH)**

D519,865 S * 5/2006 Wittenstein D10/75
D607,763 S * 1/2010 Morel D10/78
D688,143 S * 8/2013 Onuma D10/75
D772,741 S * 11/2016 Huang D10/77
D801,201 S * 10/2017 Inada D10/75

(72) Inventor: **Sylvain Barrat, Saint-Jean-d'Ardières (FR)**

* cited by examiner

(**) Term: **15 Years**

Primary Examiner — George D. Kirschbaum

(21) Appl. No.: **35/504,747**

(57) **CLAIM**

(22) Filed: **Mar. 22, 2018**

The ornamental design for a current measuring sensor, as shown and described.

(80) **Hague Agreement Data**

Int. Filing Date: **Mar. 22, 2018**
Int. Reg. No.: **DM/100470**
Int. Reg. Date: **Mar. 22, 2018**
Int. Reg. Pub. Date: **Apr. 20, 2018**

DESCRIPTION

(51) **LOC (11) Cl.** **10-04**

(52) **U.S. Cl.**
USPC **D10/75**

(58) **Field of Classification Search**
USPC D10/77, 75, 78; D13/123
See application file for complete search history.

- 1. Current measuring sensor
- 1.1 : Perspective
- 1.2 : Perspective
- 1.3 : Front
- 1.4 : Back
- 1.5 : Top
- 1.6 : Bottom
- 1.7 : Left
- 1.8 : Right

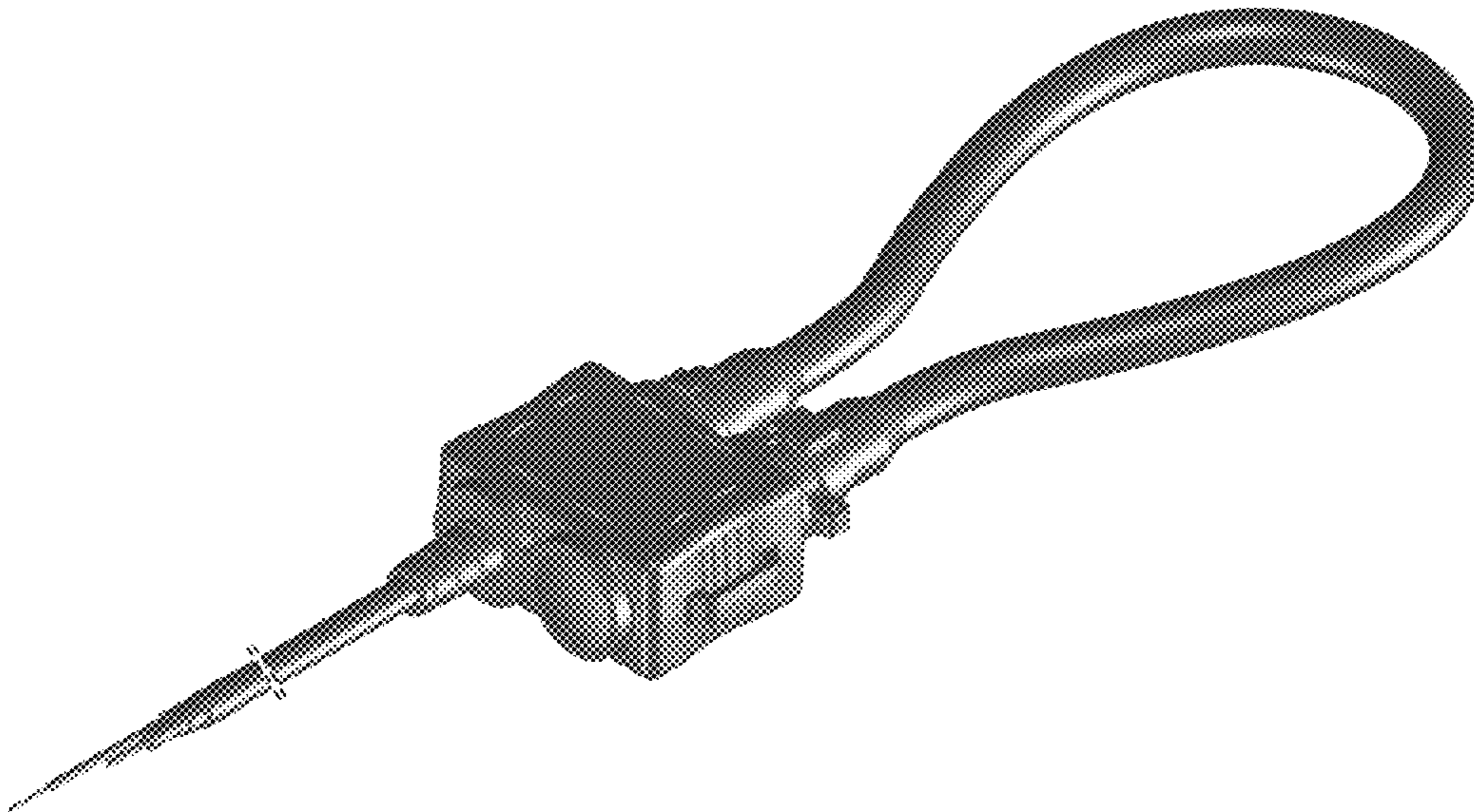
The break lines in the drawings indicate that the appearance of any portion of the current measuring sensor between the break lines forms no part of the claimed design.

(56) **References Cited**

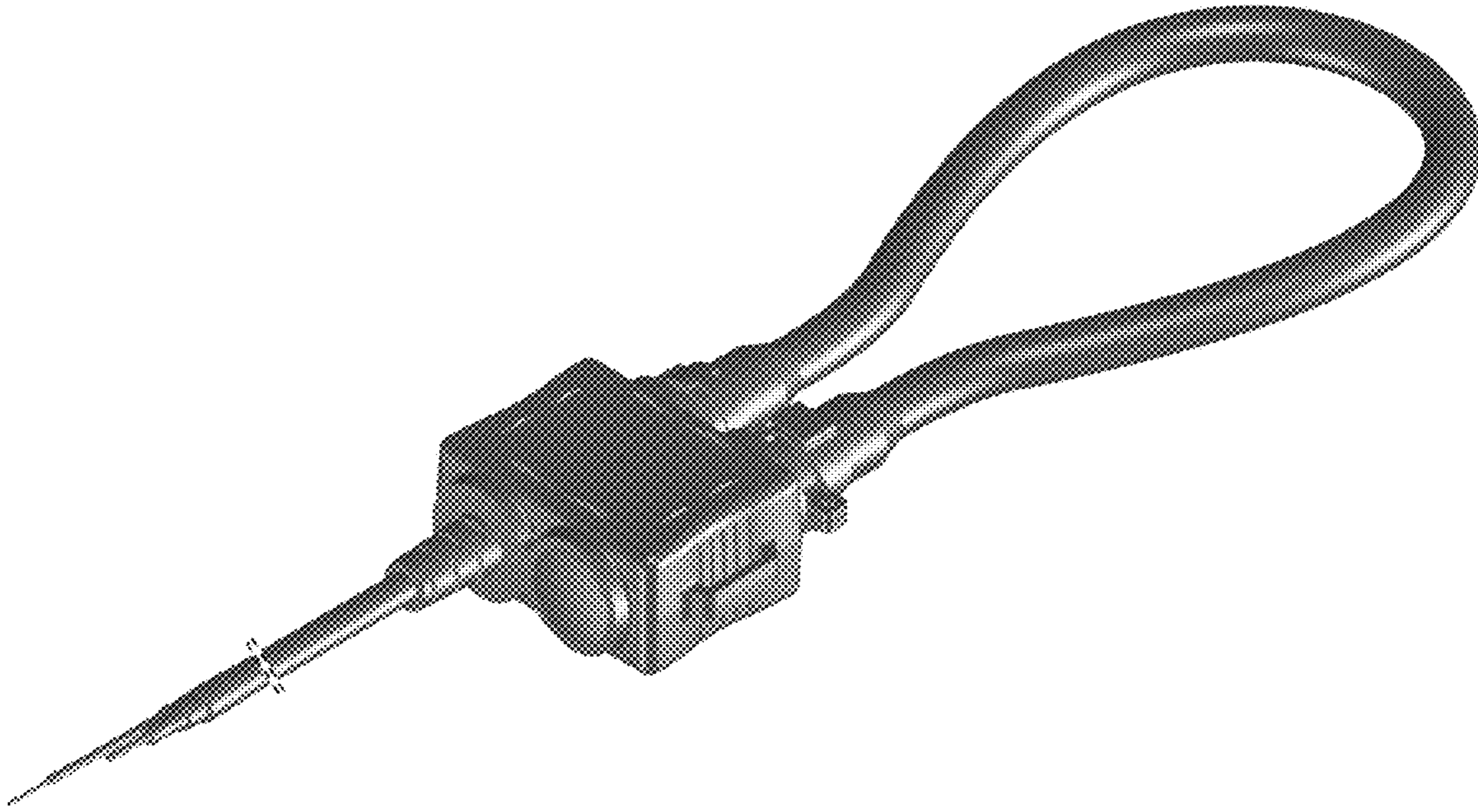
U.S. PATENT DOCUMENTS

D466,865 S * 12/2002 Stack D13/123
D505,087 S * 5/2005 Ricci D10/75

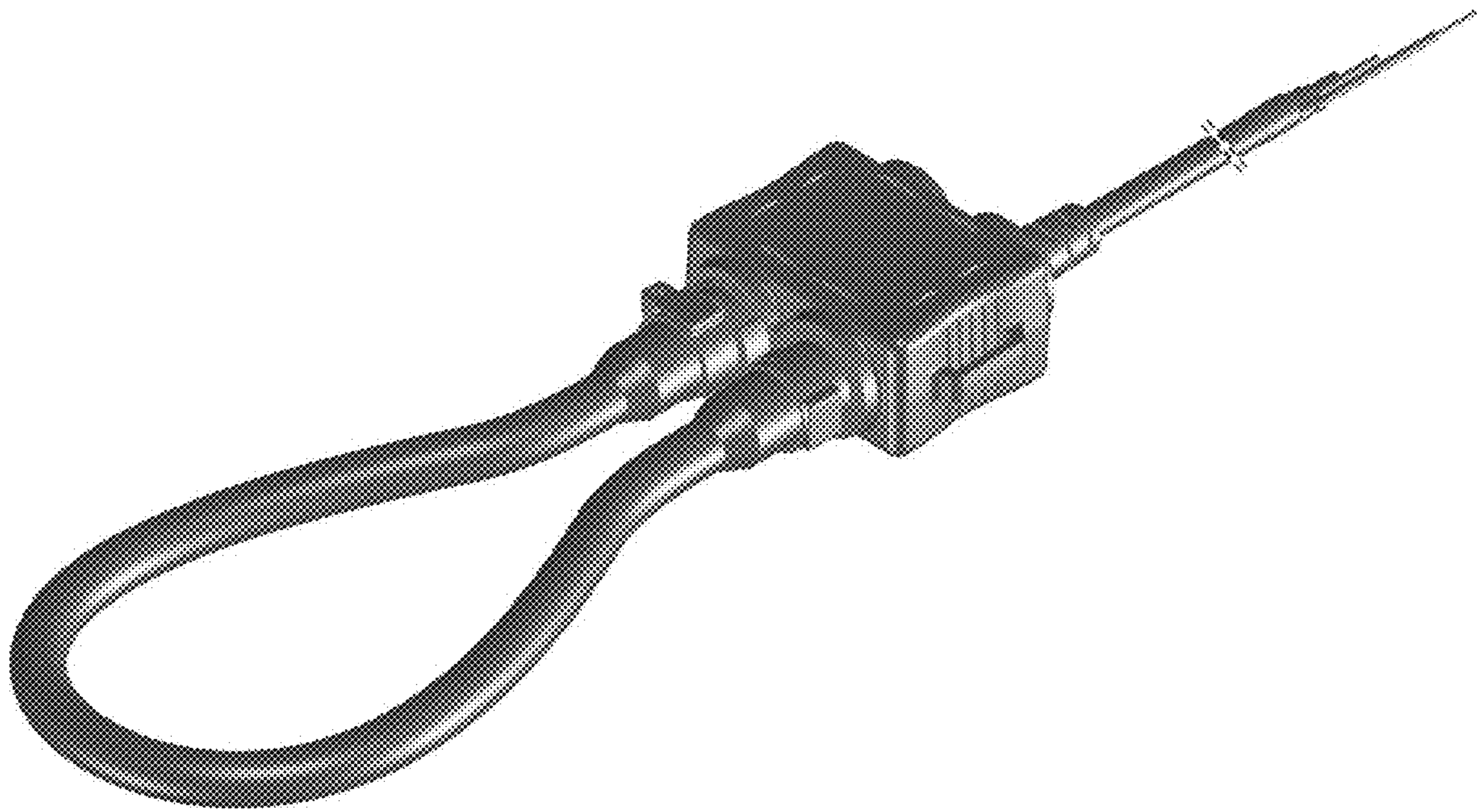
1 Claim, 8 Drawing Sheets



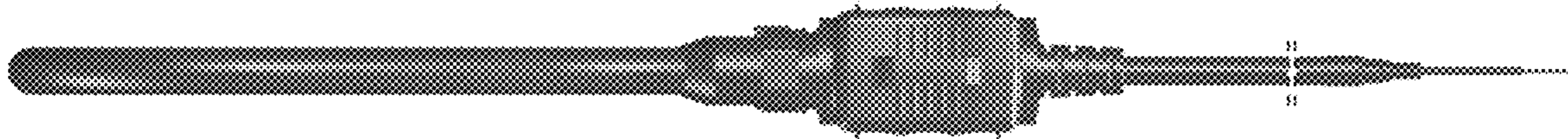
1.1



1.2



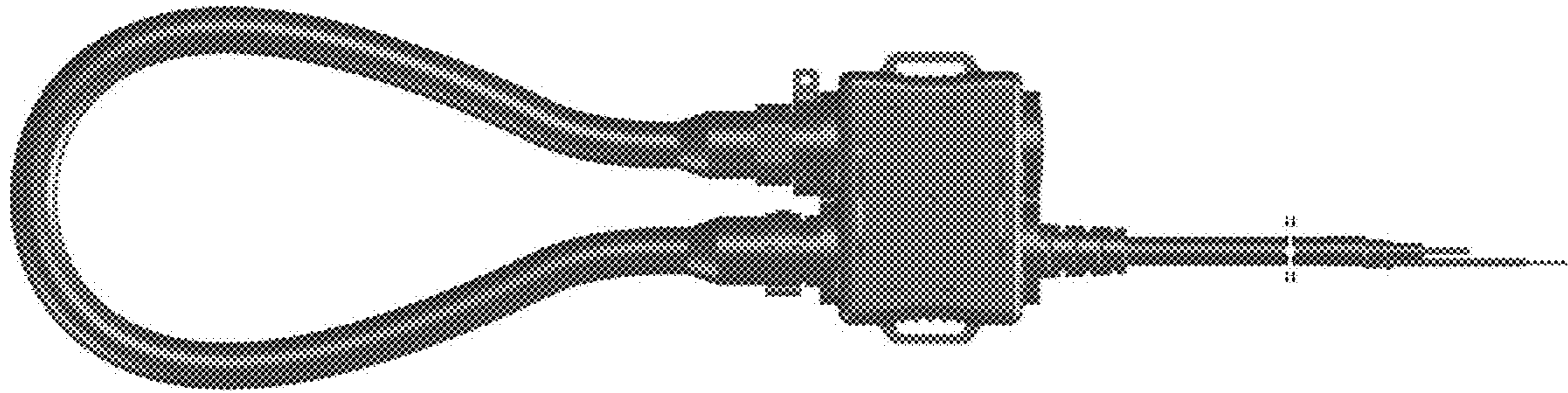
1.3



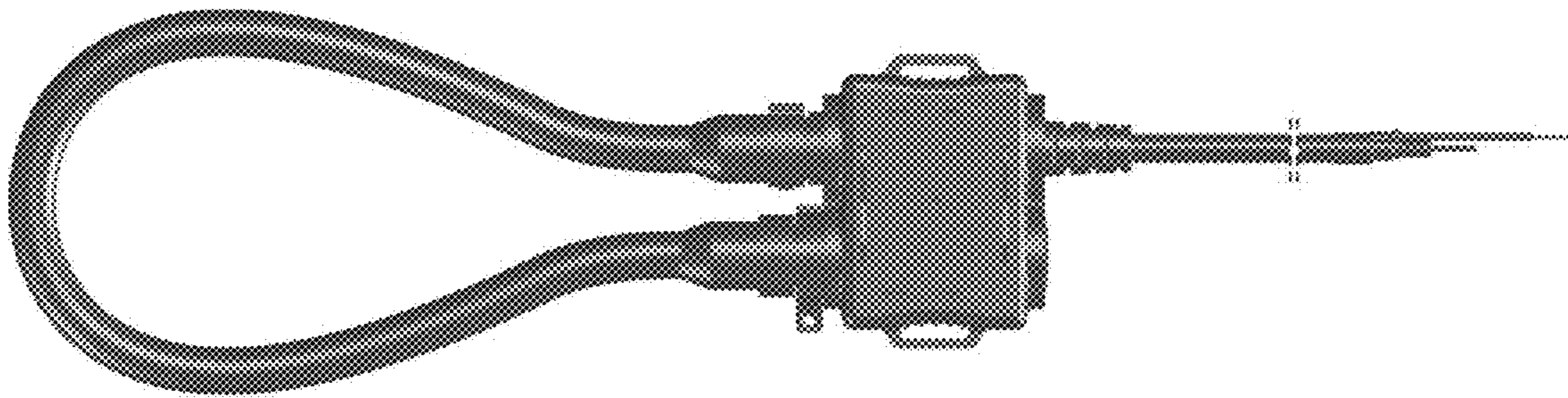
1.4



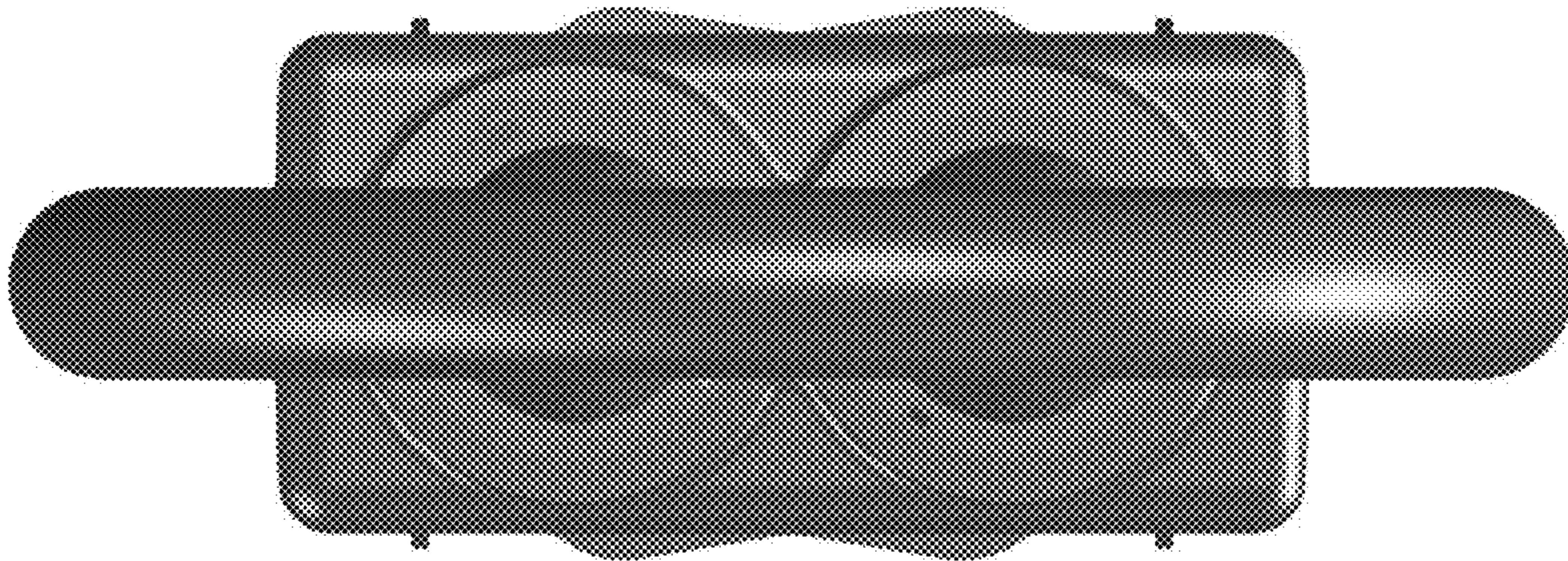
1.5



1.6



1.7



1.8

