



US00D853869S

(12) **United States Design Patent**  
**Neuman et al.**

(10) **Patent No.:** **US D853,869 S**  
(45) **Date of Patent:** **\*\* Jul. 16, 2019**

(54) **TELEMETRIC DEVICE FOR ASSET MONITORING AND REPORTING**

FOREIGN PATENT DOCUMENTS

(71) Applicant: **SILICON CONTROLS PTY LTD.**,  
Macquarie Park (AU)

PL 218703 B1 1/2015

\* cited by examiner

(72) Inventors: **Michael Alexander St. Leger Neuman**,  
Milsons Point (AU); **John Richard Haddy**,  
Lane Cove West (AU); **David Edward Robertson**,  
Belair (AU)

*Primary Examiner* — Antoine Duval Davis

(74) *Attorney, Agent, or Firm* — Miller Nash Graham &  
Dunn LLP

(73) Assignee: **SILICON CONTROLS PTY LTD.**,  
Macquarie Park (AU)

(57) **CLAIM**

We claim the ornamental design for a telemetric device for asset monitoring and reporting, as shown and described.

(\*\*) Term: **15 Years**

(21) Appl. No.: **29/643,993**

**DESCRIPTION**

(22) Filed: **Apr. 13, 2018**

(51) **LOC (11) Cl.** ..... **10-04**

(52) **U.S. Cl.**  
USPC ..... **D10/75**

(58) **Field of Classification Search**  
USPC ..... D10/75, 76, 77, 78, 80  
CPC ..... G01F 23/00; G06F 1/32; G08C 19/00  
See application file for complete search history.

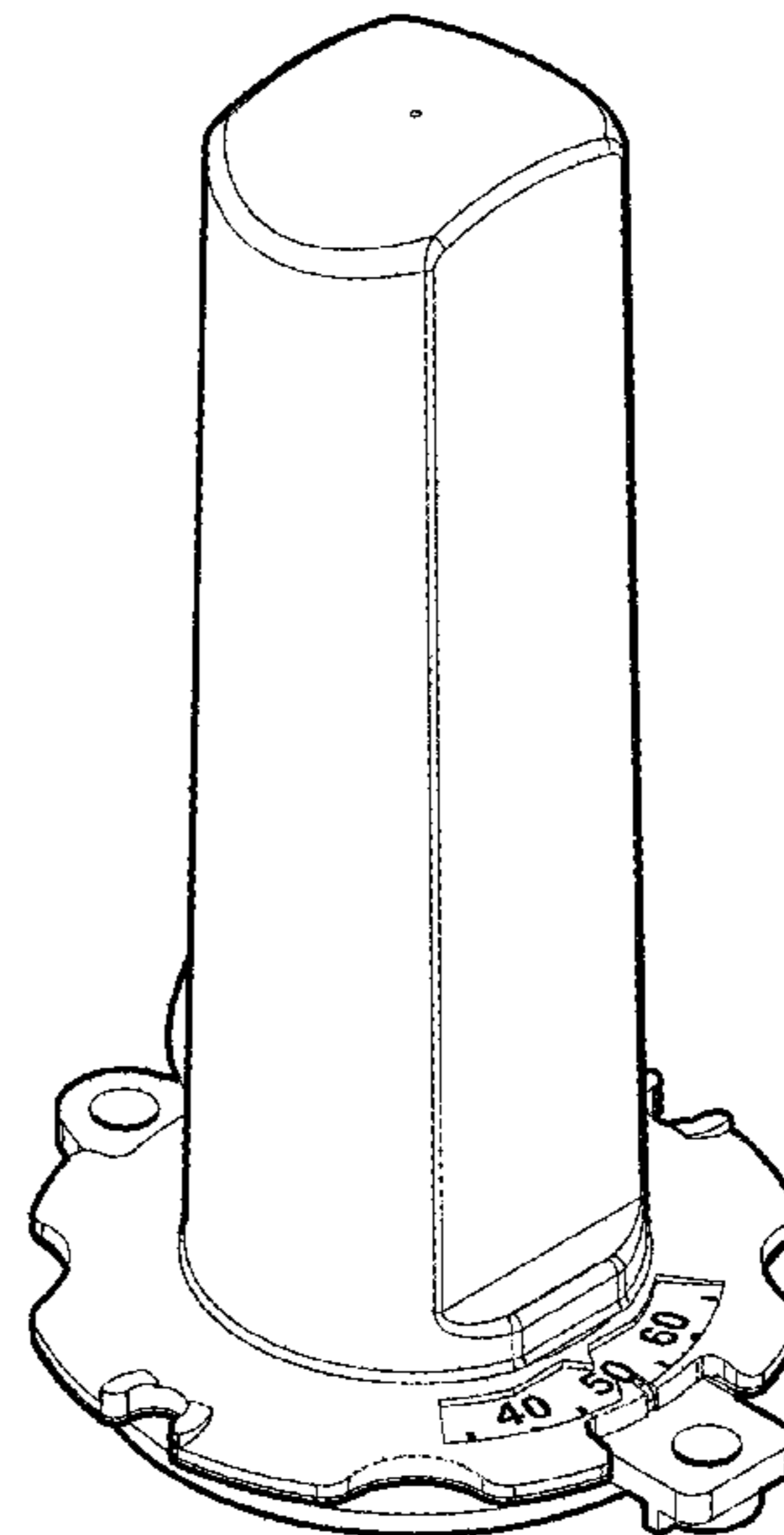
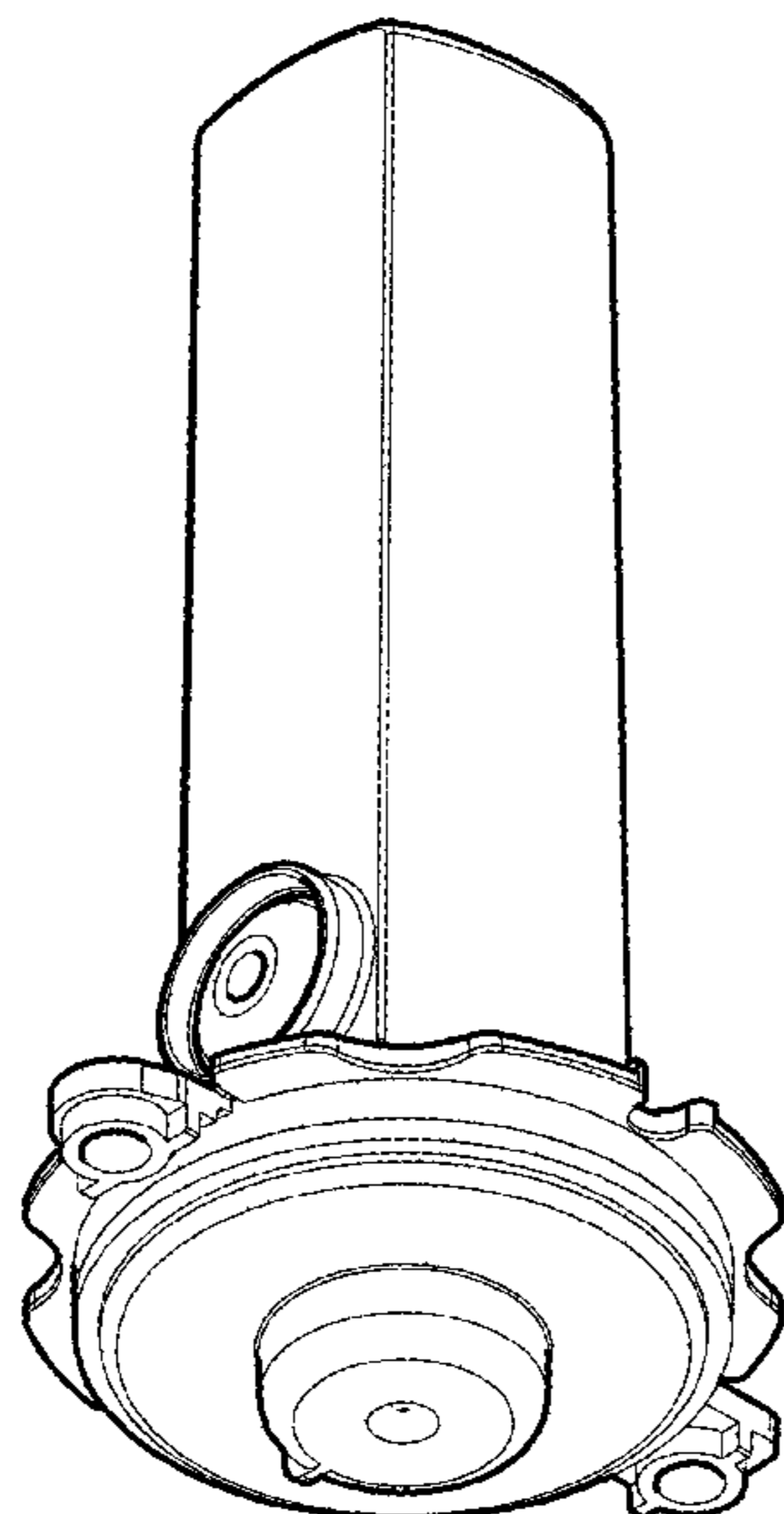
FIG. 1 depicts a side view of a telemetric device for asset monitoring and reporting;  
FIG. 2 depicts a front view of a telemetric device for asset monitoring and reporting;  
FIG. 3 depicts an alternate side view of a telemetric device for asset monitoring and reporting;  
FIG. 4 depicts a rear view of a telemetric device for asset monitoring and reporting;  
FIG. 5 depicts a top down view of a telemetric device for asset monitoring and reporting;  
FIG. 6 depicts a bottom up perspective view from a side angle;  
FIG. 7 depicts a bottom up view of a telemetric device for asset monitoring and reporting; and,  
FIG. 8 depicts a top down perspective view from a side angle.

(56) **References Cited**

U.S. PATENT DOCUMENTS

5,490,922 A	2/1996	Gresa	
D472,827 S *	4/2003	Harju	D10/78
D638,729 S *	5/2011	Beaupre	D10/78
7,937,216 B2	5/2011	Humphrey	
2010/0001867 A1	1/2010	Rodrigue et al.	
2016/0298998 A1	10/2016	Yang	

**1 Claim, 8 Drawing Sheets**



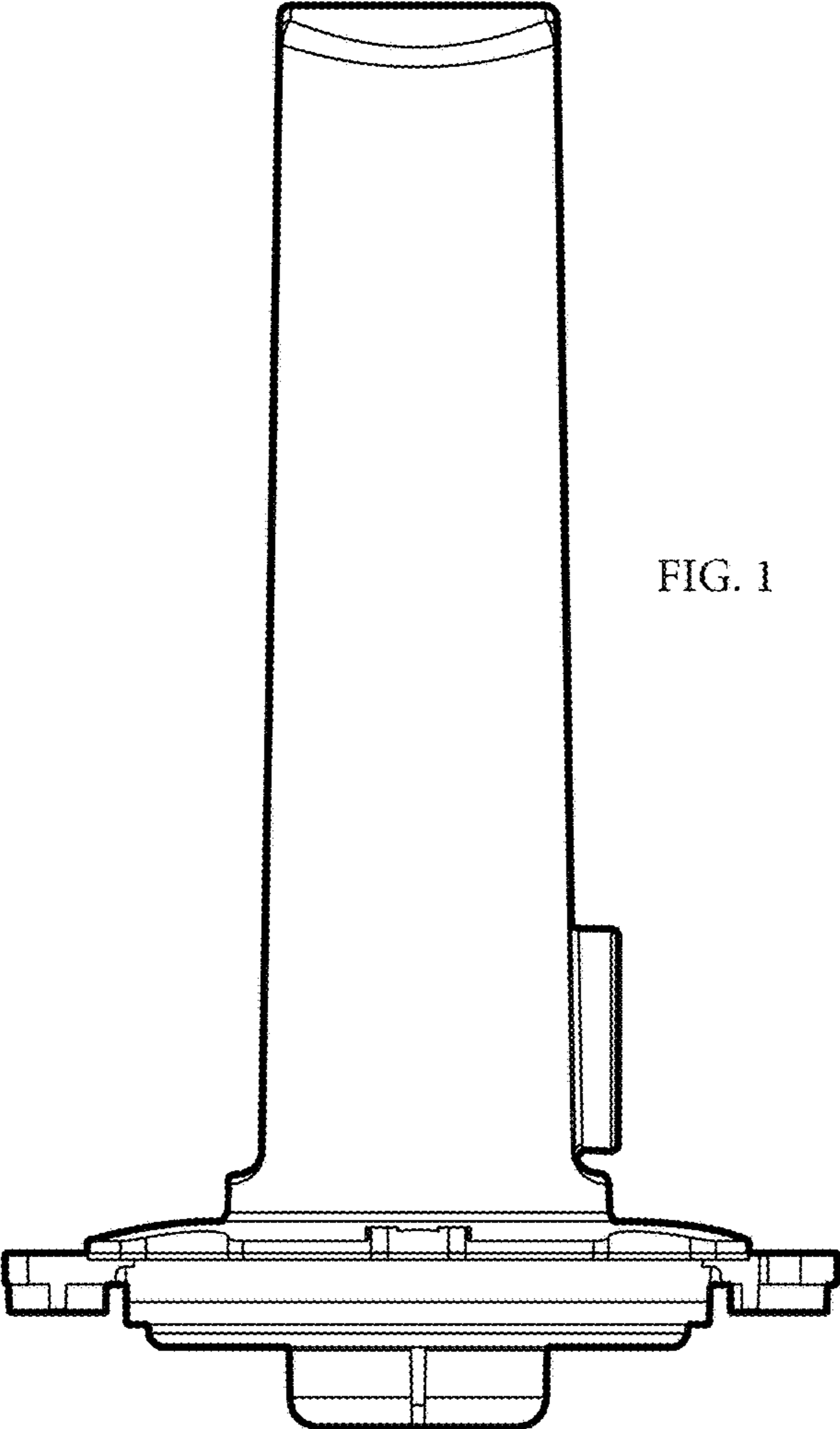


FIG. 1

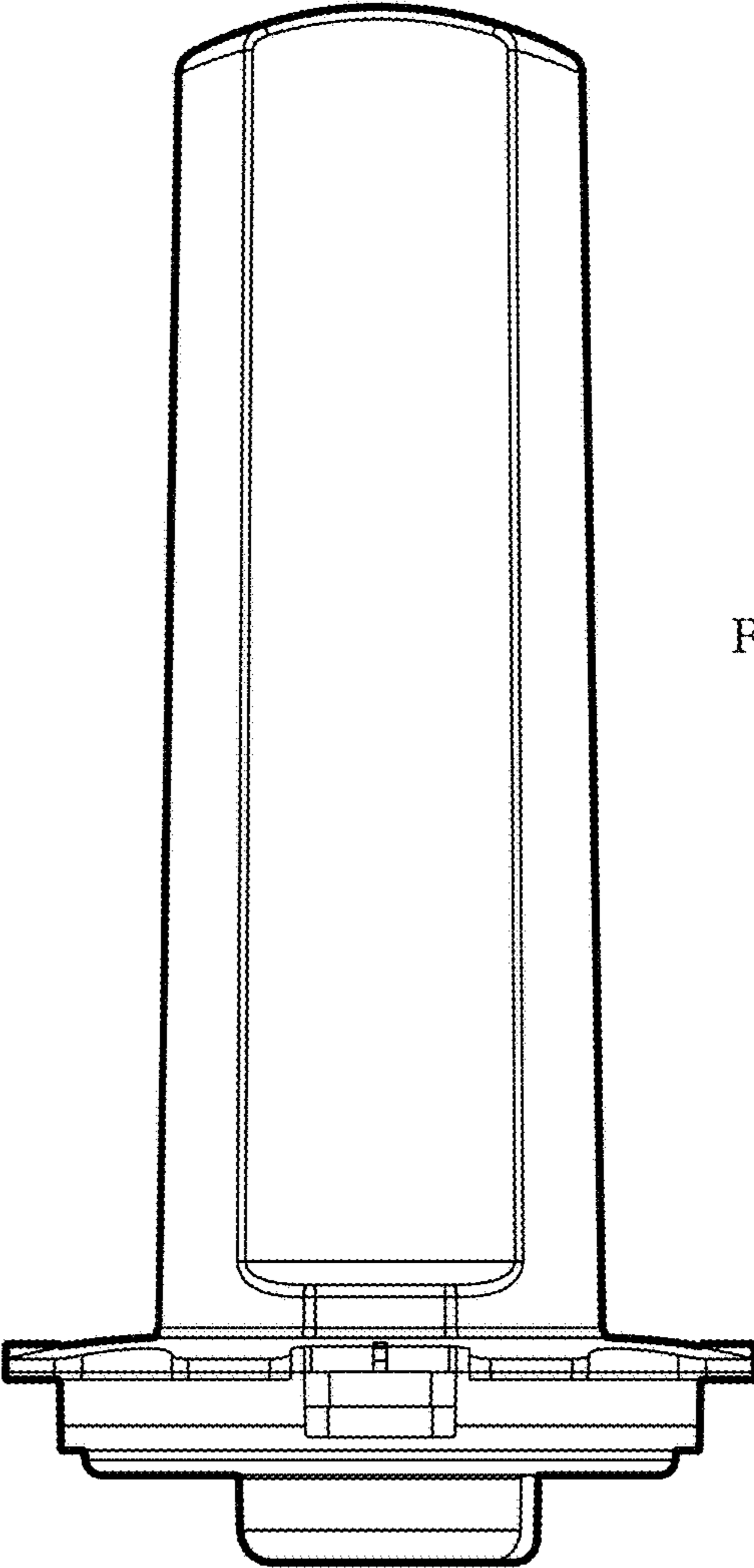
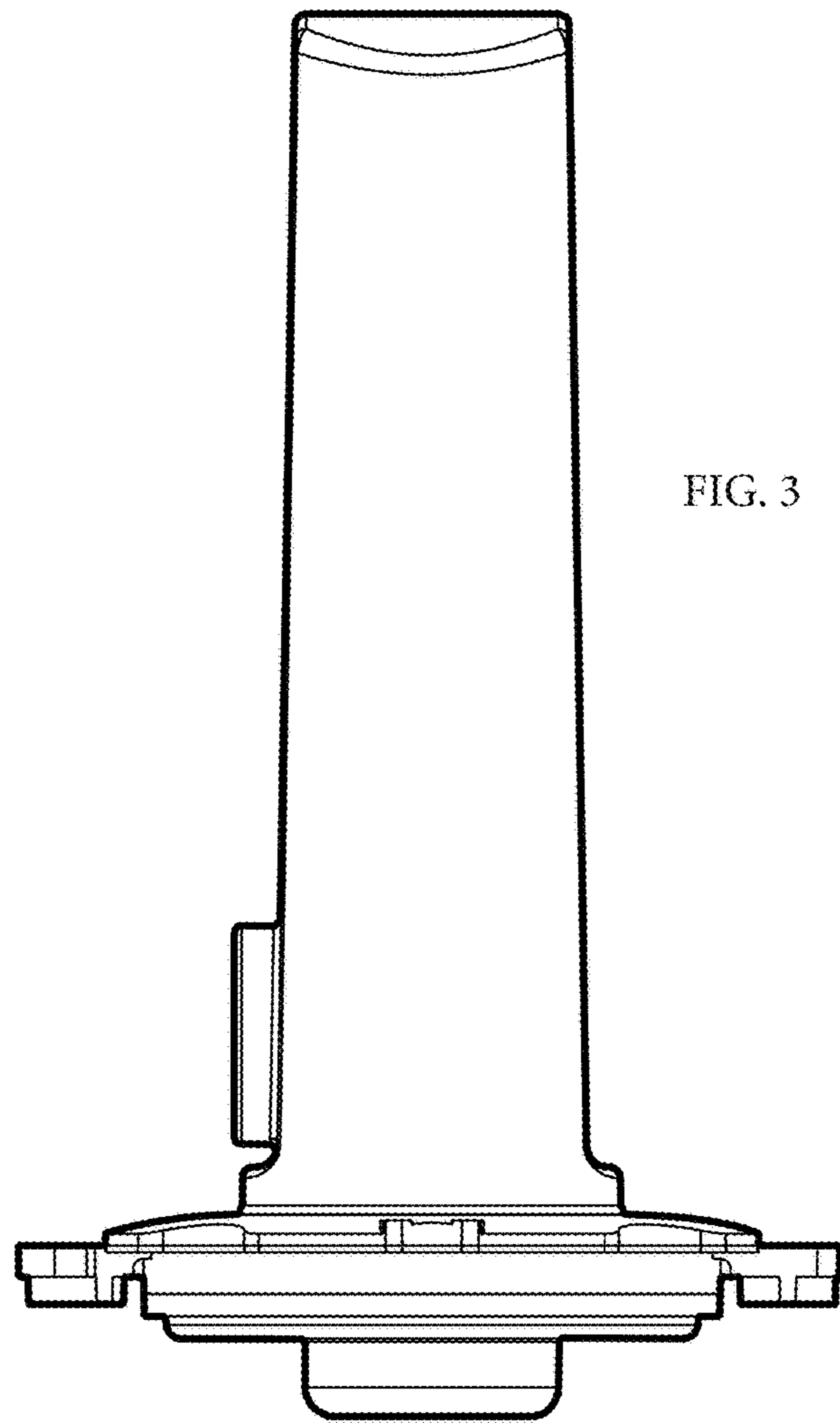


FIG. 2



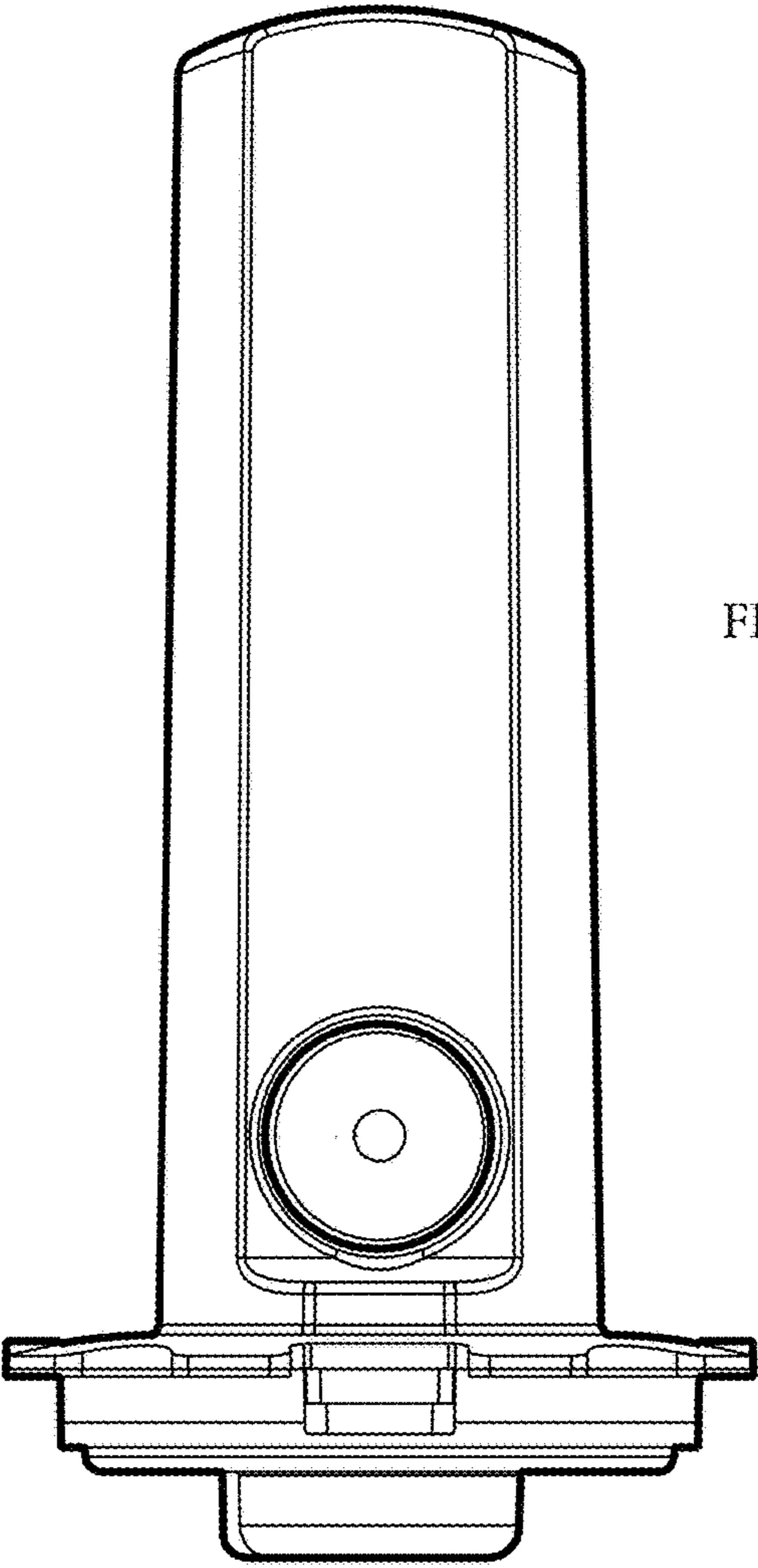


FIG. 4

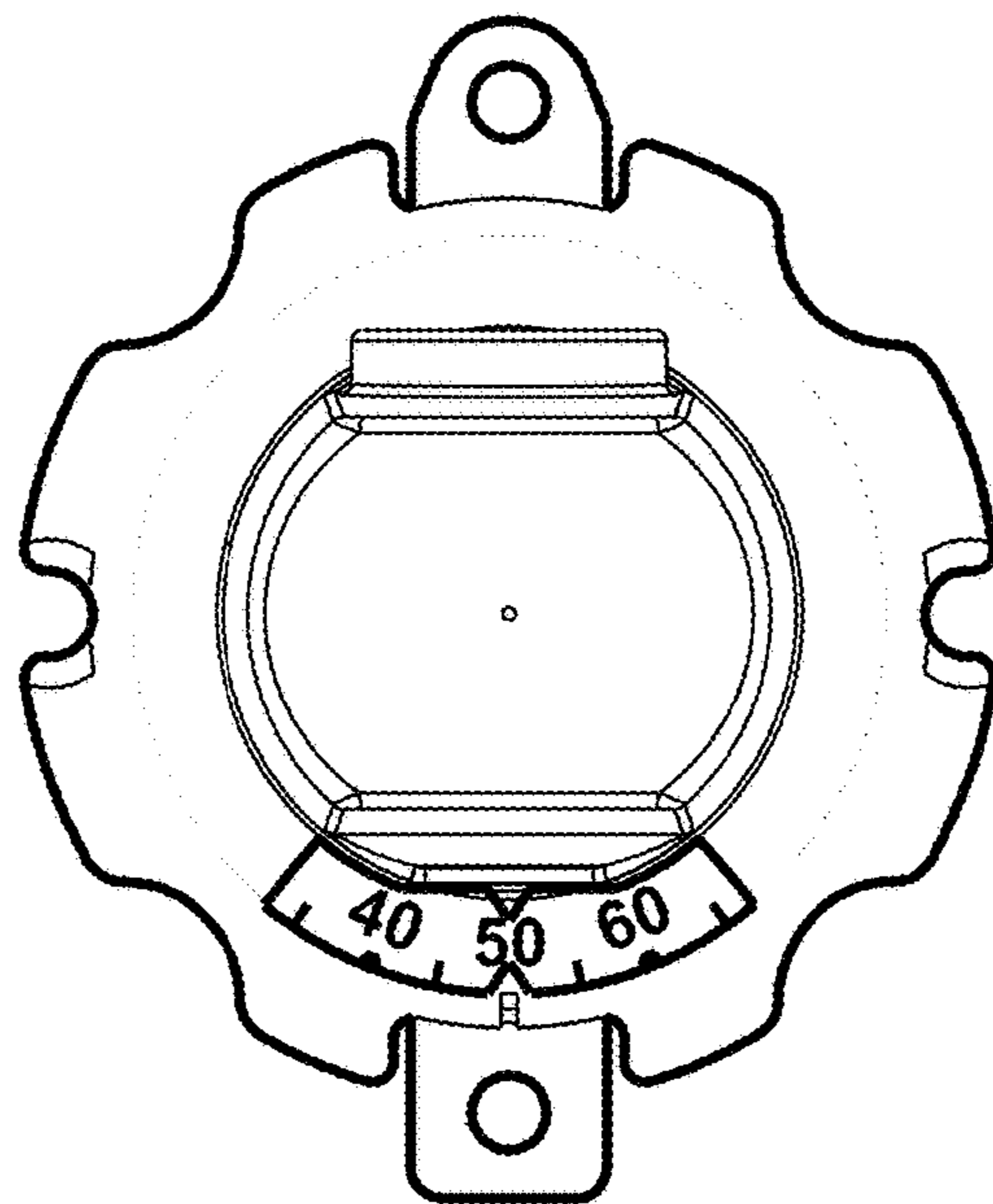


FIG. 5

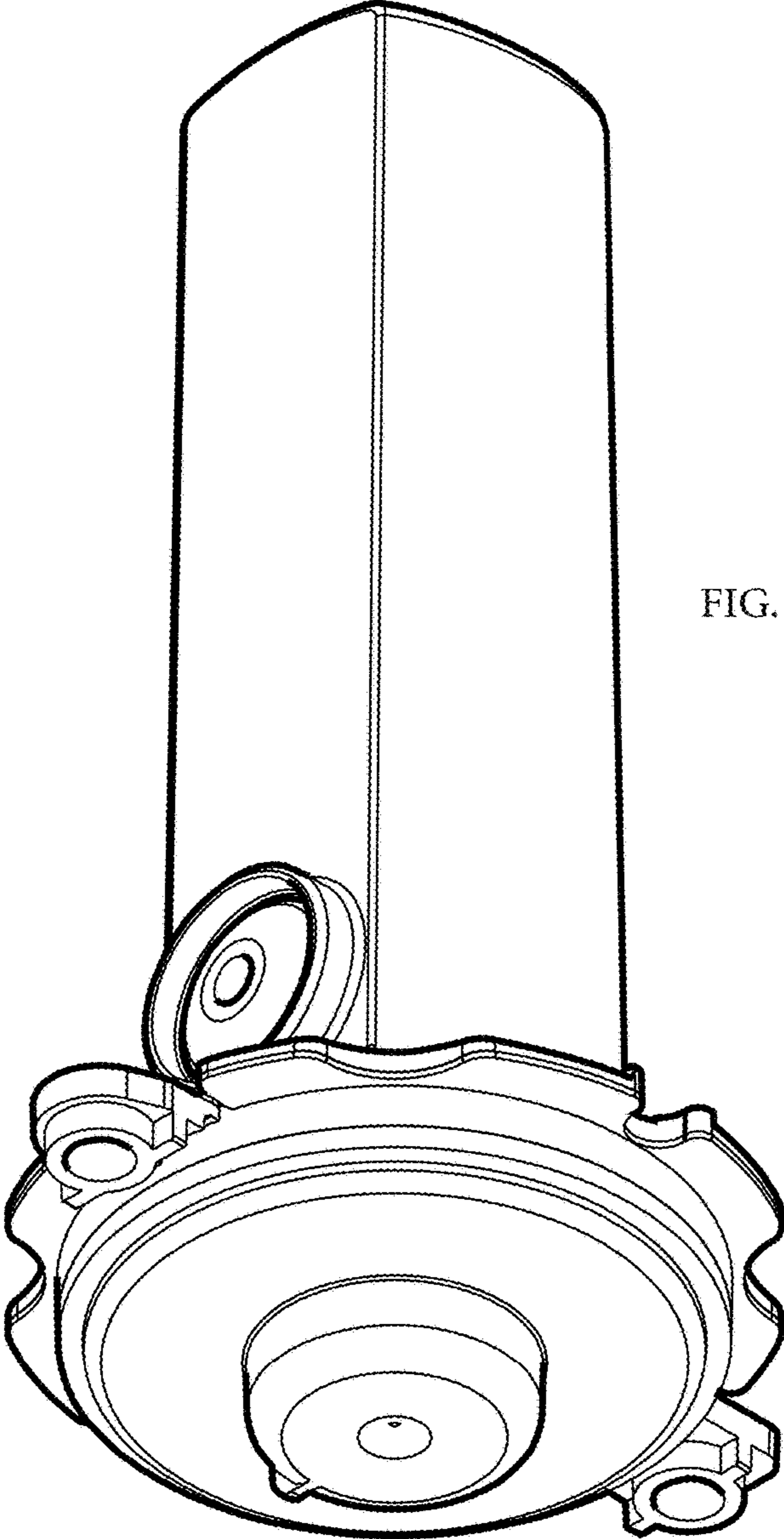


FIG. 6

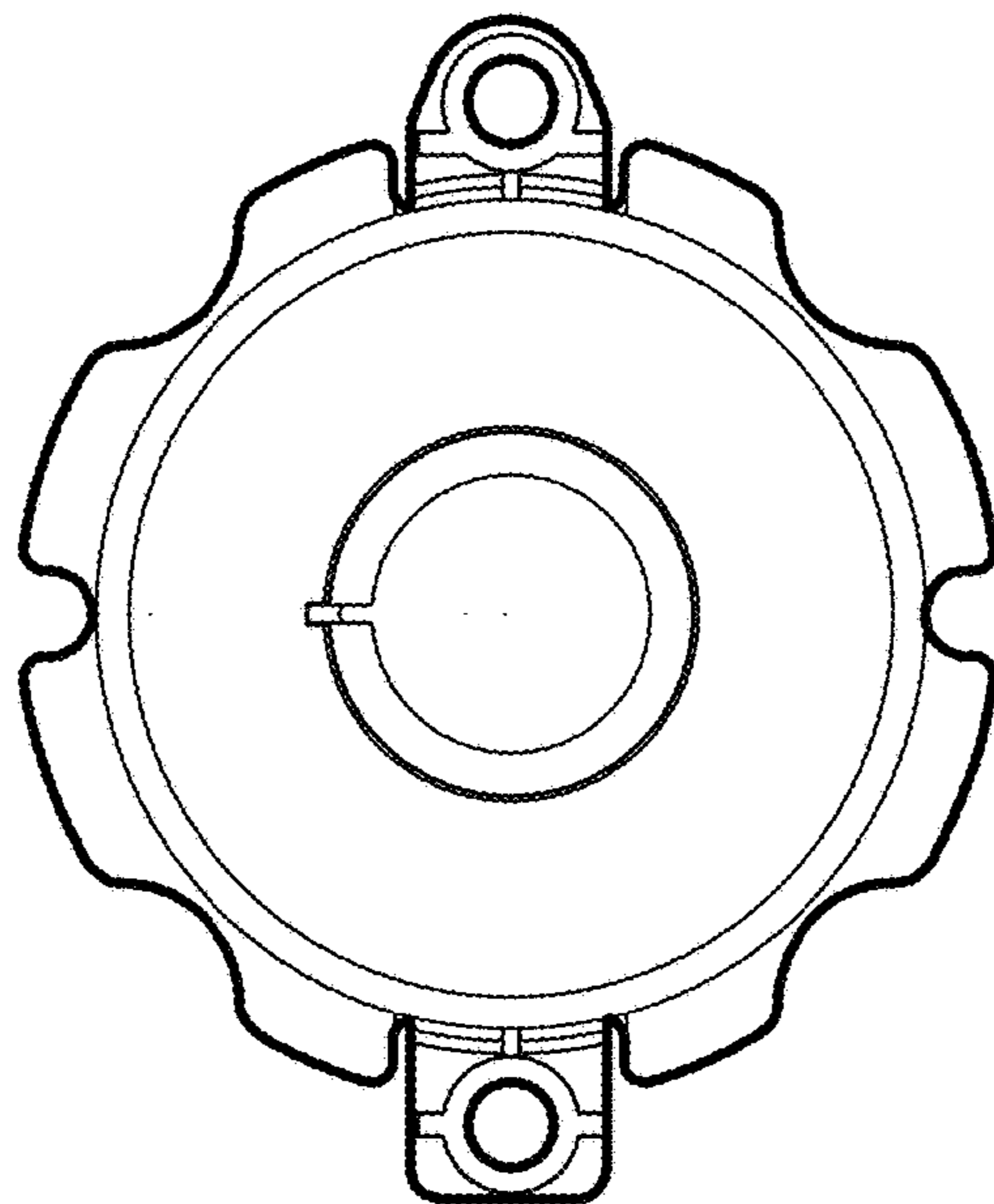


FIG. 7



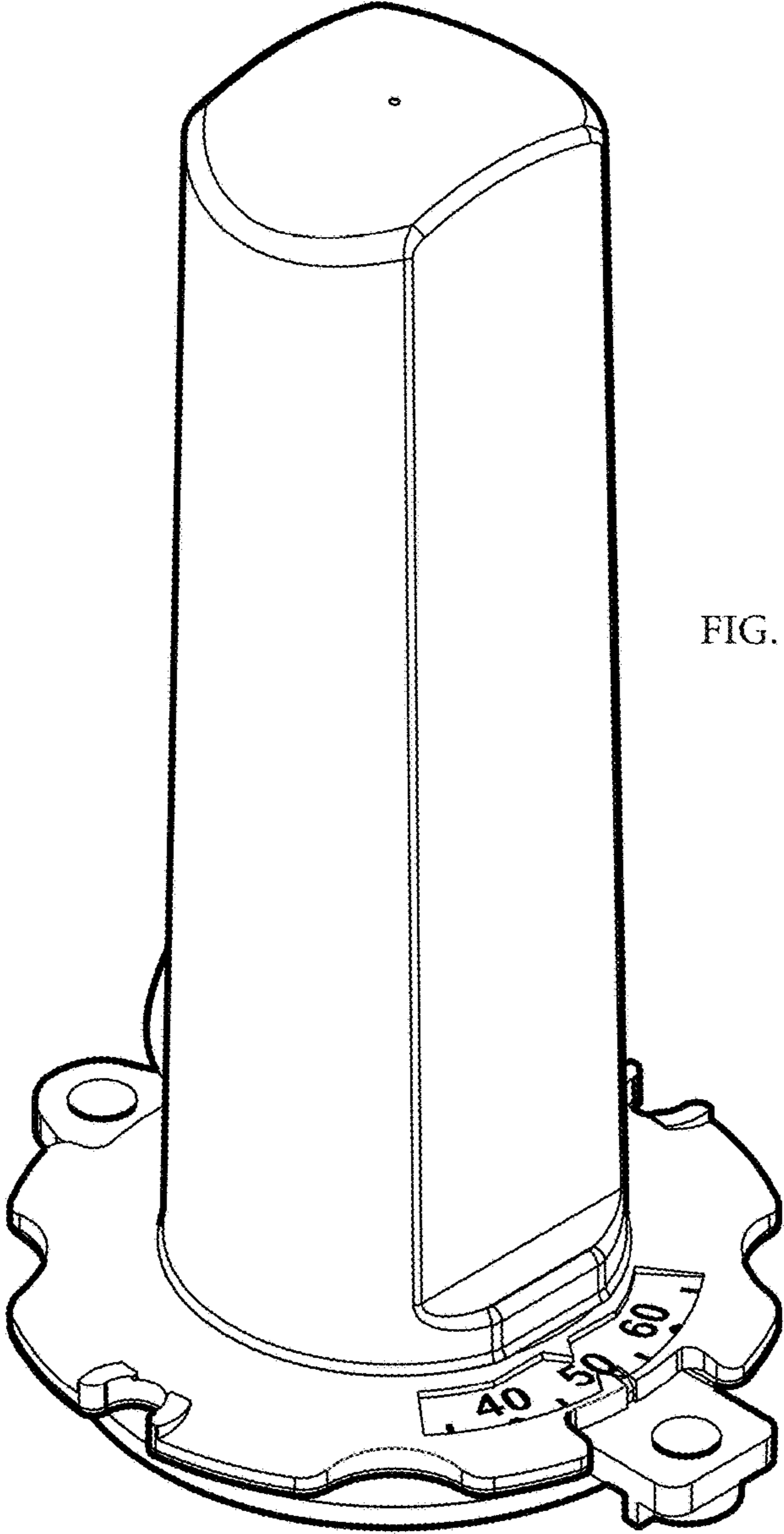


FIG. 8