



US00D853867S

(12) **United States Design Patent**
Park

(10) **Patent No.:** **US D853,867 S**

(45) **Date of Patent:** **** Jul. 16, 2019**

(54) **LENGTH MEASURING APPARATUS**

(71) Applicant: **BAGEL LABS CO., LTD.,**
Gyeonggi-Do (KR)

(72) Inventor: **Jun Young Park, Yongin-si (KR)**

(**) Term: **15 Years**

(21) Appl. No.: **35/504,592**

(22) Filed: **Nov. 24, 2017**

(80) **Hague Agreement Data**

Int. Filing Date: **Nov. 24, 2017**

Int. Reg. No.: **DM/100011**

Int. Reg. Date: **Nov. 24, 2017**

Int. Reg. Pub. Date: **Mar. 16, 2018**

(30) **Foreign Application Priority Data**

Aug. 28, 2017 (KR) 30-2017-0039985

(51) **LOC (11) Cl.** **10-05**

(52) **U.S. Cl.**
USPC **D10/72**

(58) **Field of Classification Search**
USPC D10/72, 71
See application file for complete search history.

(56) **References Cited**

U.S. PATENT DOCUMENTS

D412,858 S * 8/1999 Staton D10/72
D432,034 S * 10/2000 Heimerle D10/72

D504,835 S * 5/2005 Snider D10/72
D522,889 S * 6/2006 Wallace D10/72
D599,229 S * 9/2009 Sun D10/72
D668,565 S * 10/2012 Huang D10/72
D716,676 S * 11/2014 Tang D10/72
D764,325 S * 8/2016 Mathews, Jr. D10/72
D782,350 S * 3/2017 Bridges D10/72
D785,476 S * 5/2017 Graykowski D10/72
D803,711 S * 11/2017 Jost D10/72

* cited by examiner

Primary Examiner — George D. Kirschbaum

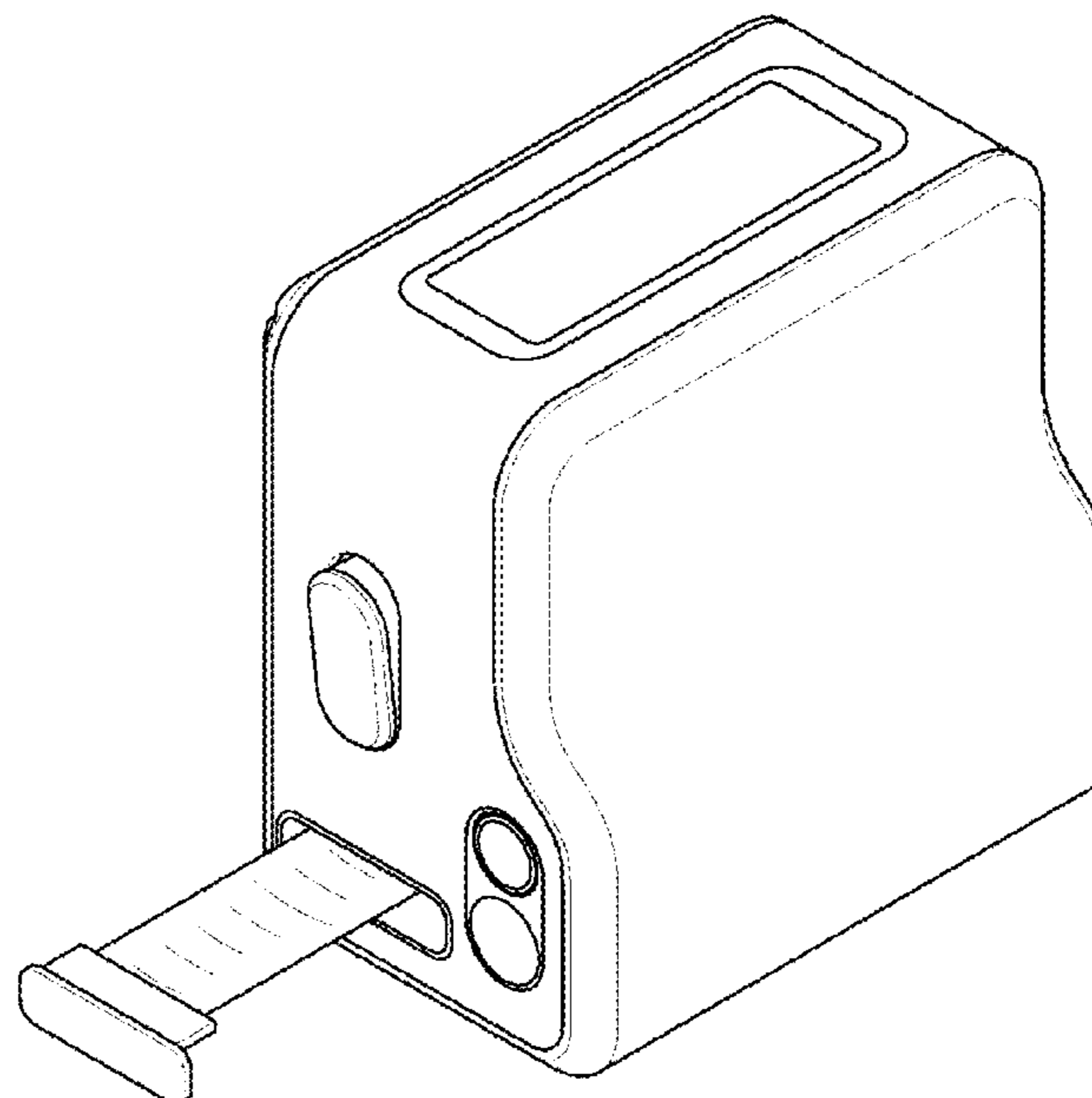
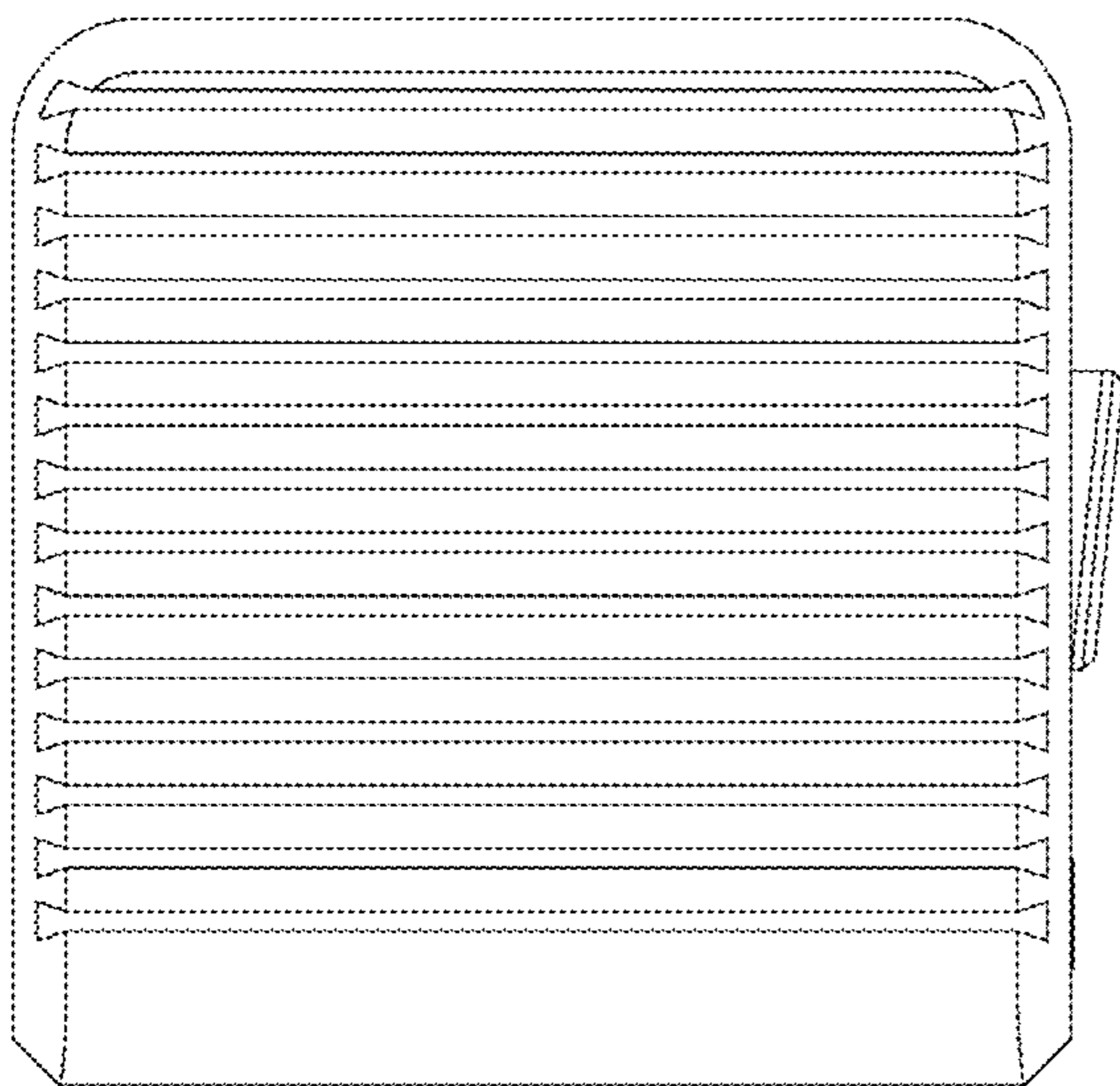
(57) **CLAIM**

The ornamental design for a length measuring apparatus, as shown and described.

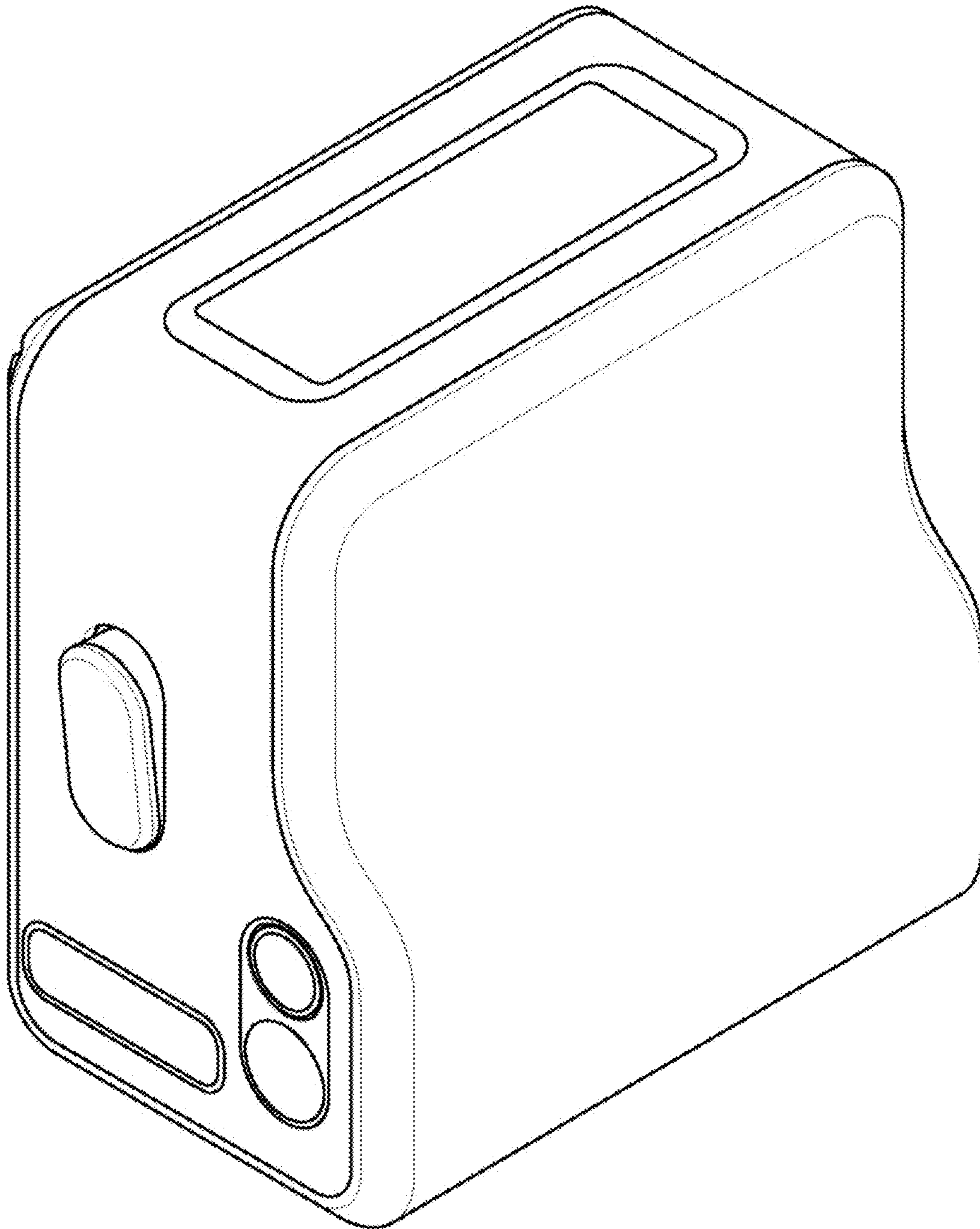
DESCRIPTION

- 1. Length measuring apparatus
- 1.1 : Perspective
- 1.2 : Front
- 1.3 : Back
- 1.4 : Top
- 1.5 : Bottom
- 1.6 : Left
- 1.7 : Right
- 1.8 : Reference view showing state in use

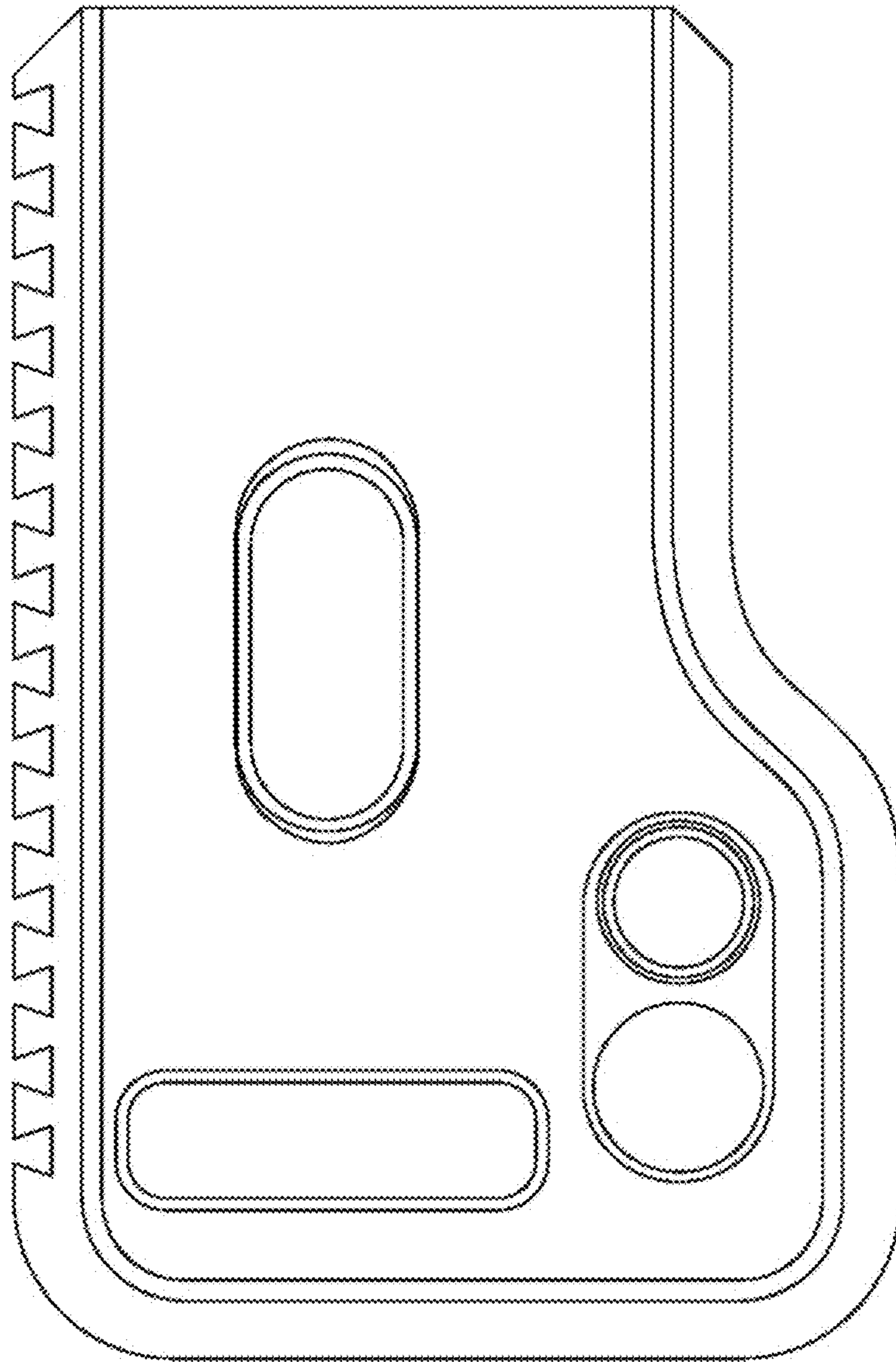
1 Claim, 8 Drawing Sheets



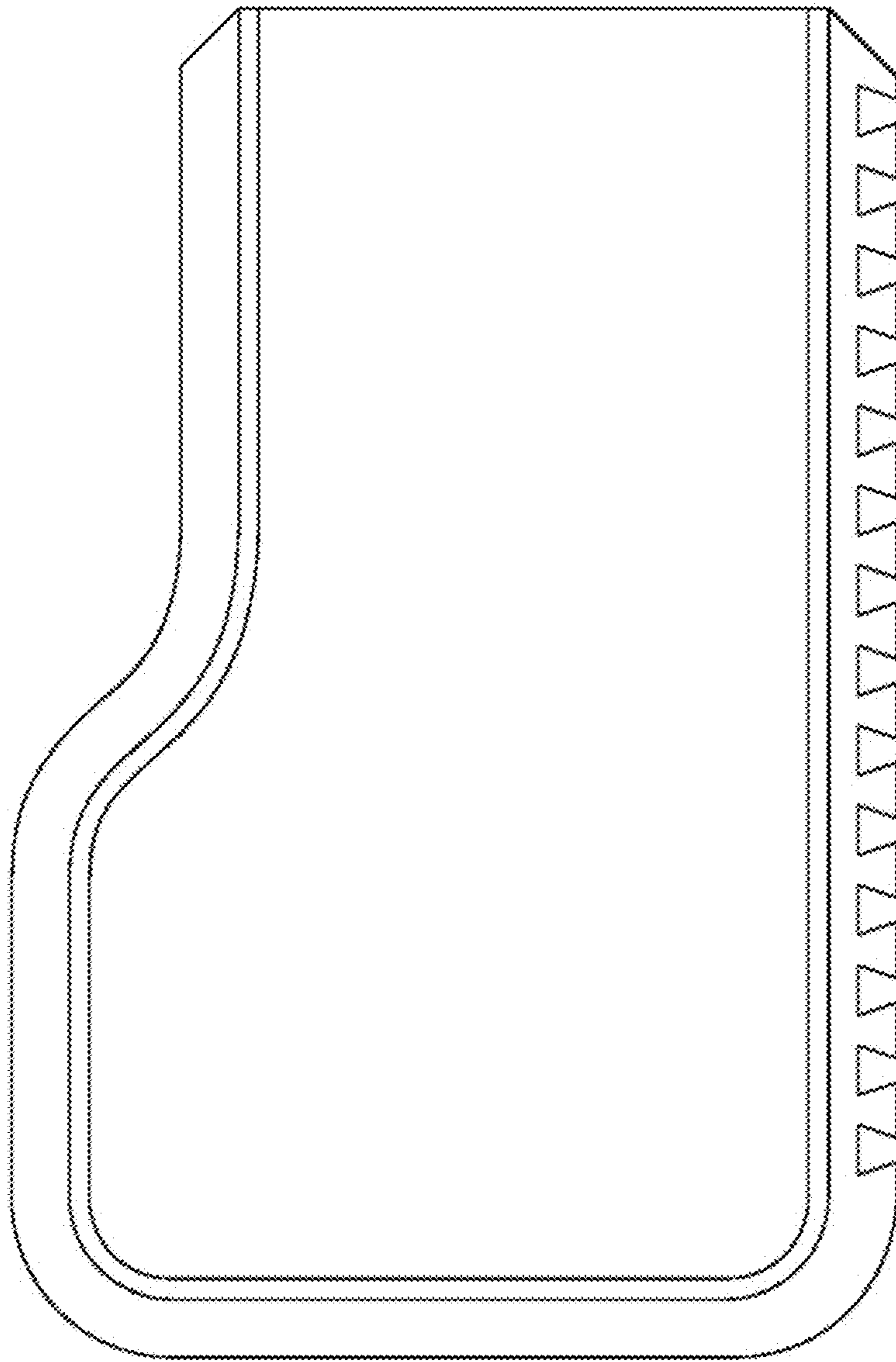
1.1



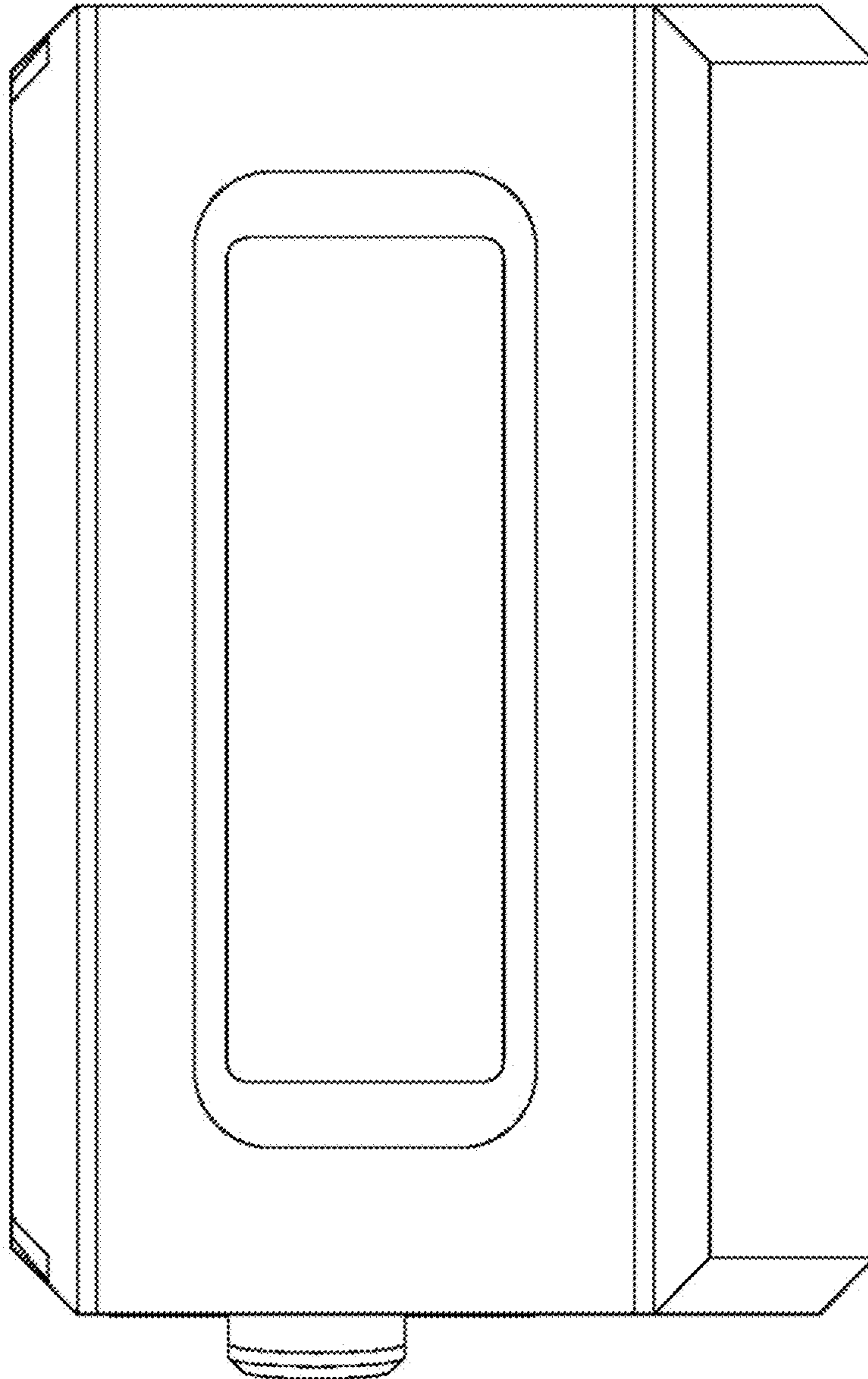
1.2



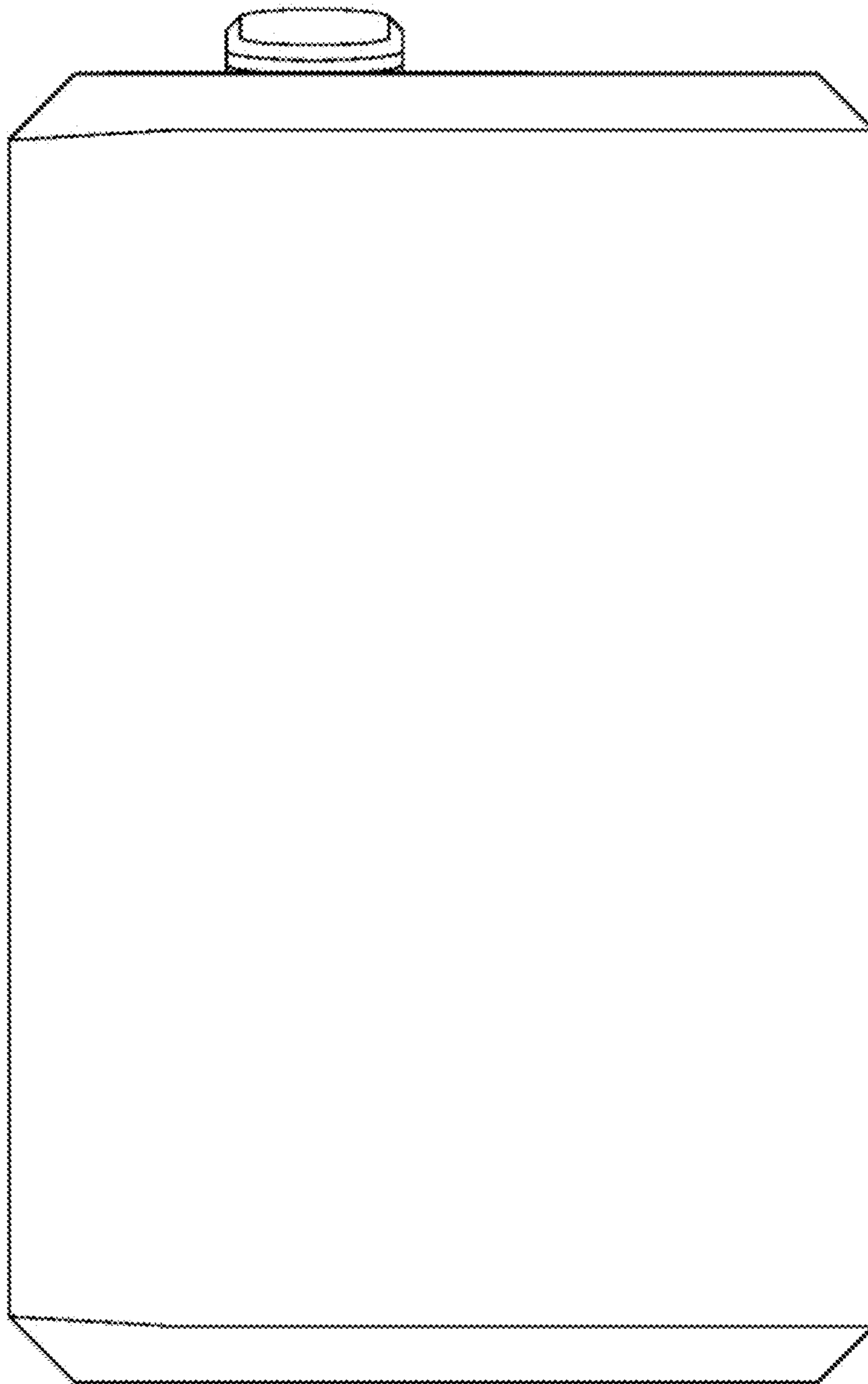
1.3



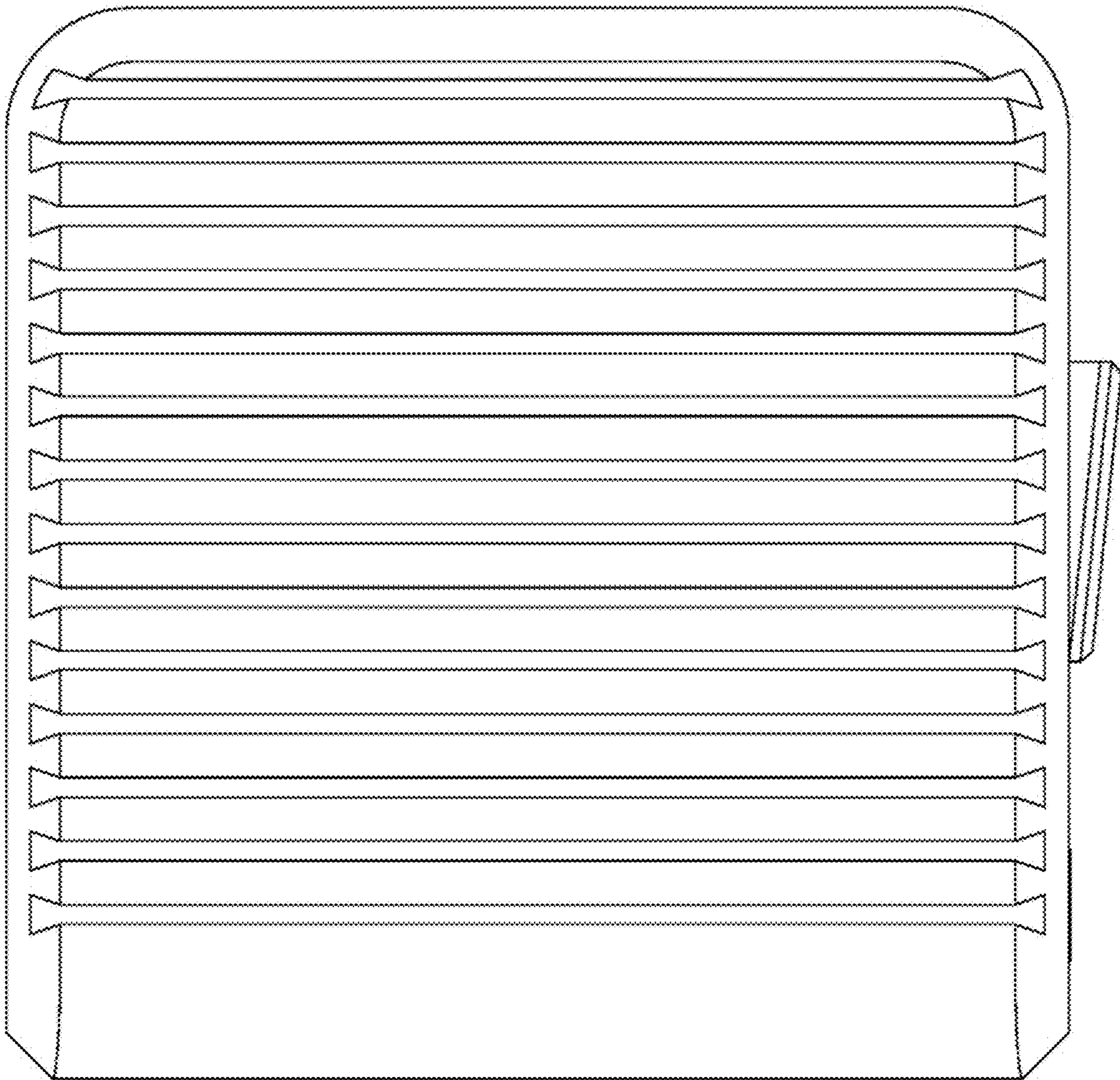
1.4



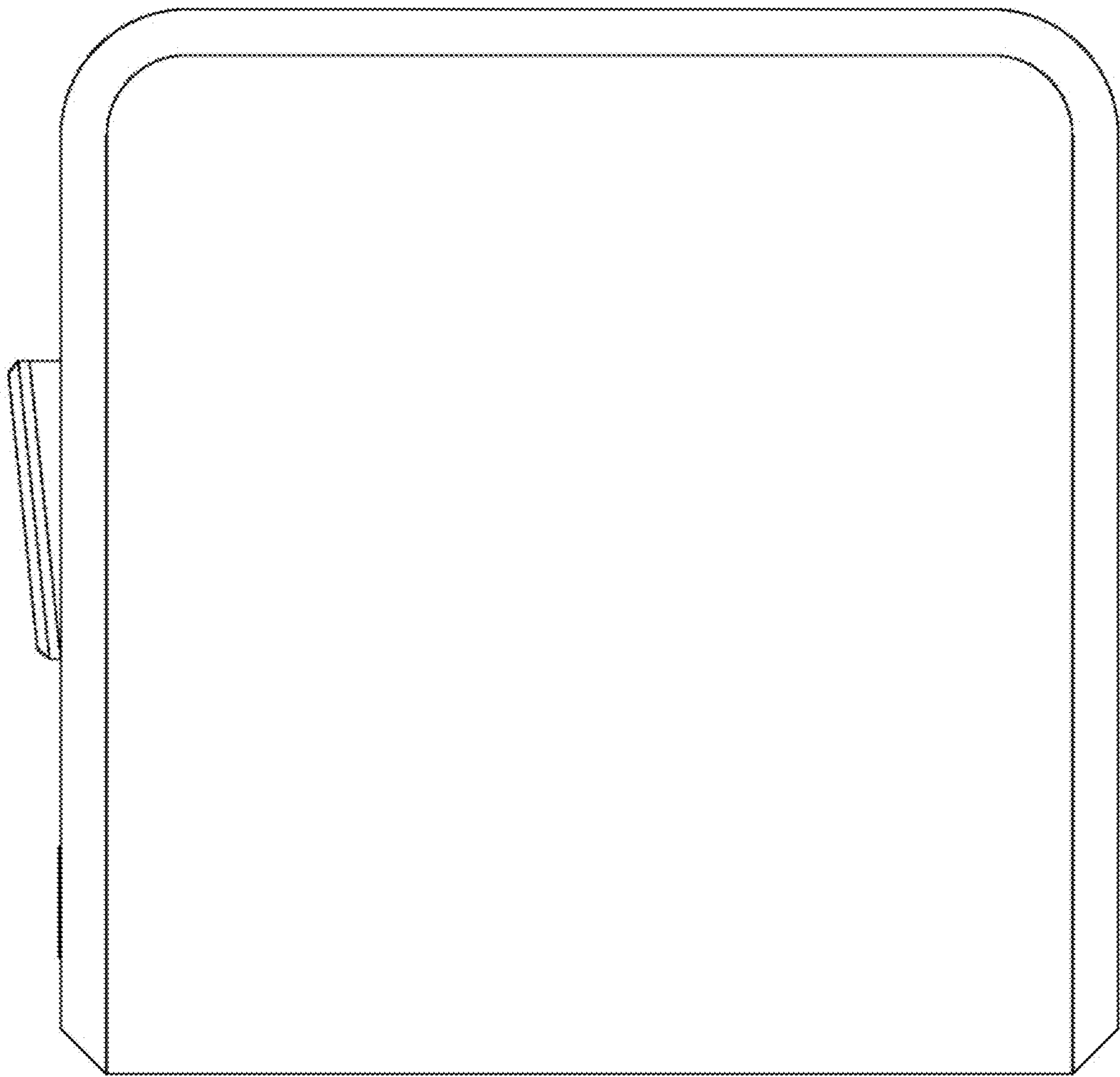
1.5



1.6



1.7



1.8

