



US00D853865S

(12) **United States Design Patent** (10) **Patent No.:** **US D853,865 S**
Menden et al. (45) **Date of Patent:** **** Jul. 16, 2019**

(54) **CONTROLLER HOUSING**

- (71) Applicant: **Johnson Controls Technology Company**, Milwaukee, WI (US)
- (72) Inventors: **Thomas J. Menden**, New Berlin, WI (US); **Mark A. Thoni**, Pewaukee, WI (US); **Hyunchul Kim**, Chicago, IL (US); **Thomas Richardson**, Chicago, IL (US); **Scott Thorne**, Chicago, IL (US)
- (73) Assignee: **Johnson Controls Technology Company**, Auburn Hills, MI (US)

(**) Term: **15 Years**

(21) Appl. No.: **29/619,965**

(22) Filed: **Oct. 3, 2017**

(51) **LOC (11) Cl.** **10-04**

(52) **U.S. Cl.**
USPC **D10/49; D13/158**

(58) **Field of Classification Search**
 USPC D10/49; D13/158
 CPC . G06F 11/0736; G06F 11/0751; G05B 19/05;
 G05B 2219/15014; G05B 2219/31123;
 G05B 2219/31119; G05B 2219/31121;
 G05B 2219/31131

See application file for complete search history.

(56) **References Cited**

U.S. PATENT DOCUMENTS

- D394,842 S 6/1998 Kellstedt et al.
 D795,090 S 8/2017 Menden et al.
 D829,573 S * 10/2018 Okazaki D10/49

OTHER PUBLICATIONS

Johnson Controls, Metasys System Field Equipment Controllers and Related Products Product Bulletin, Apr. 2016, 37 pages.
 Office Action for U.S. Appl. No. 29/548,332, dated Jan. 19, 2017, 14 pages.
 Notice of Allowance for U.S. Appl. No. 29/548,332, dated May 11, 2017, 7 pages.

* cited by examiner

Primary Examiner — Antoine Duval Davis

(74) *Attorney, Agent, or Firm* — Foley & Lardner LLP

(57) **CLAIM**

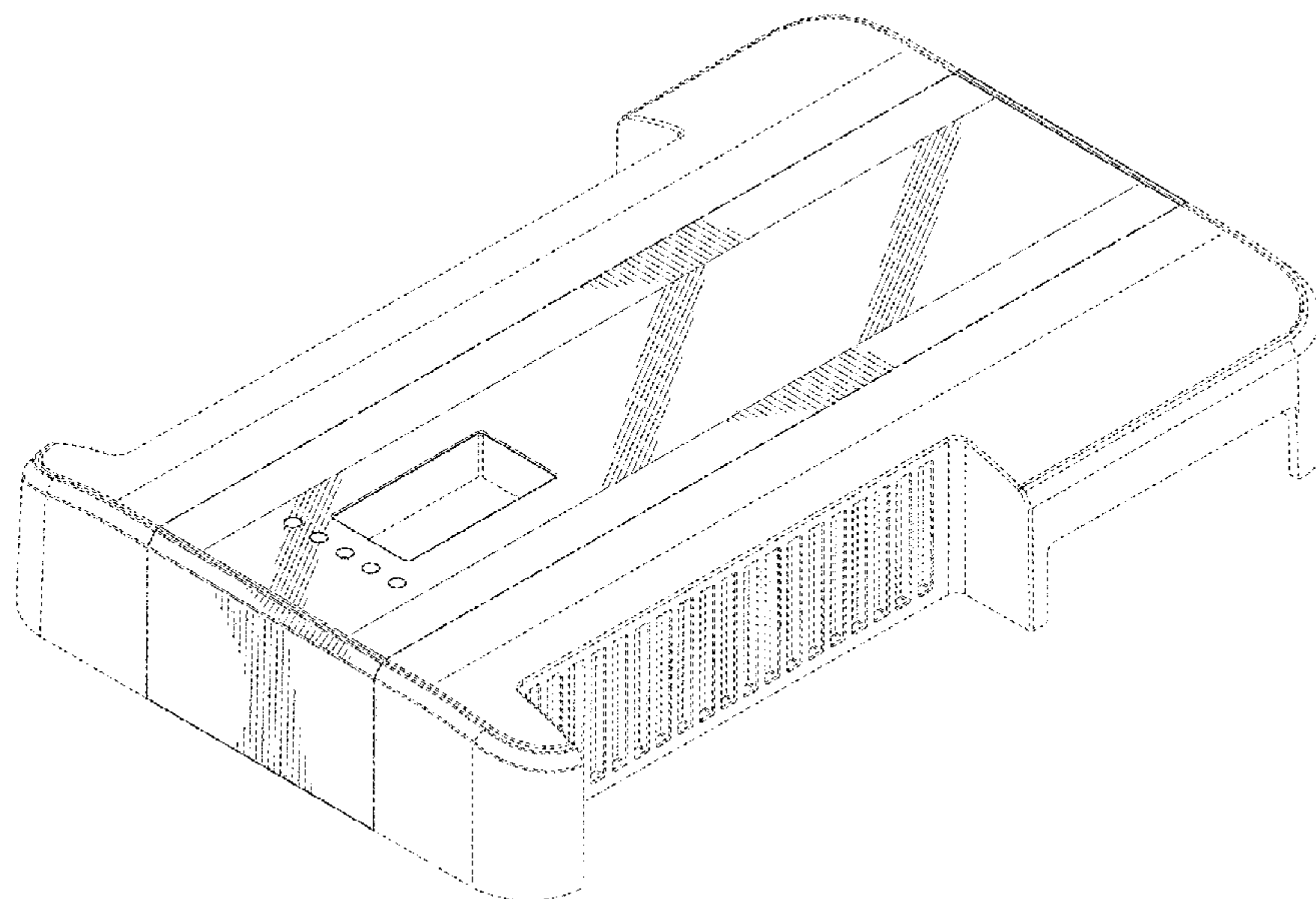
We claim the ornamental design for a controller housing, as shown and described.

DESCRIPTION

FIG. 1 is a top perspective view from above of the claimed design of a controller housing;
 FIG. 2 is a right side view of the claimed design of FIG. 1;
 FIG. 3 is a left side view of the claimed design of FIG. 1;
 FIG. 4 is a front side view of the claimed design of FIG. 1;
 FIG. 5 is a rear side view of the claimed design of FIG. 1;
 FIG. 6 is a top side view of the claimed design of FIG. 1;
 and,
 FIG. 7 is a bottom side view of the claimed design of FIG. 1.

Any portion of the article depicted in broken lines forms no part of the claimed design. Broken lines formed by equal length dashes show unclaimed portions of the design. Broken lines formed of unequal length dashes (i.e., dash-dot) show boundaries between claimed and unclaimed portions of the design. Oblique lines indicate a reflective or shiny surface.

1 Claim, 5 Drawing Sheets



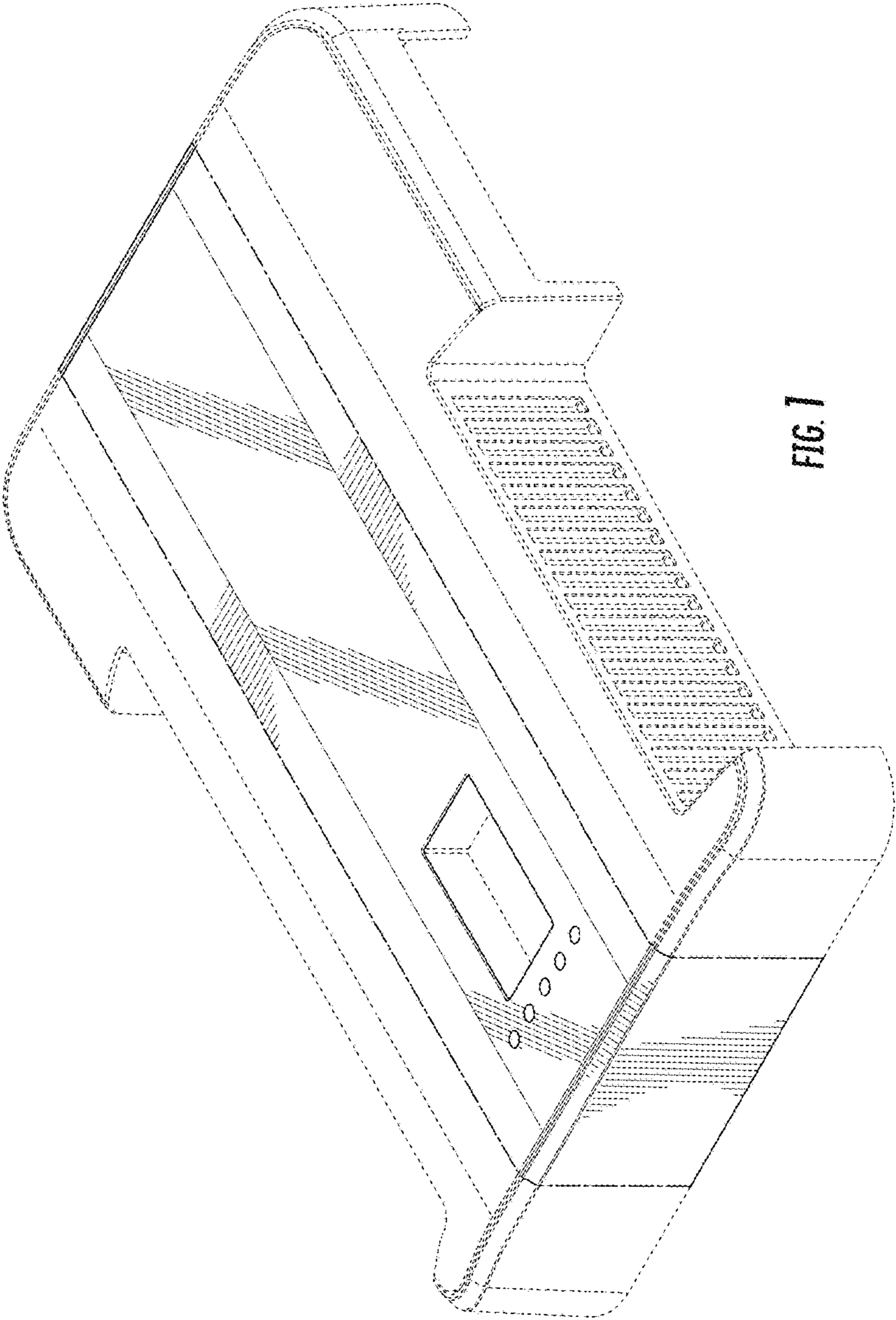


FIG. 1

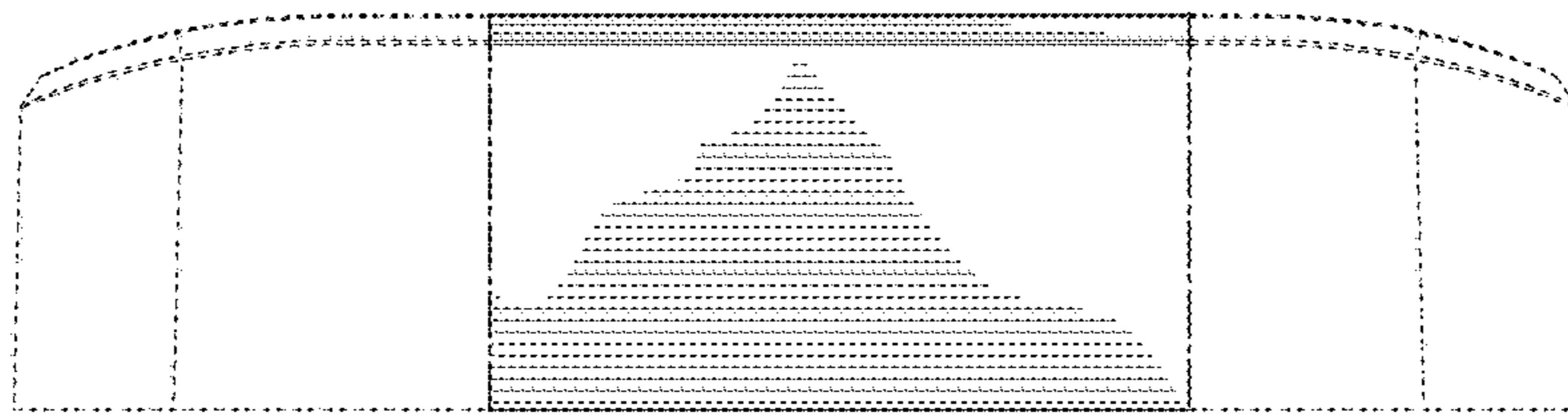


FIG. 2

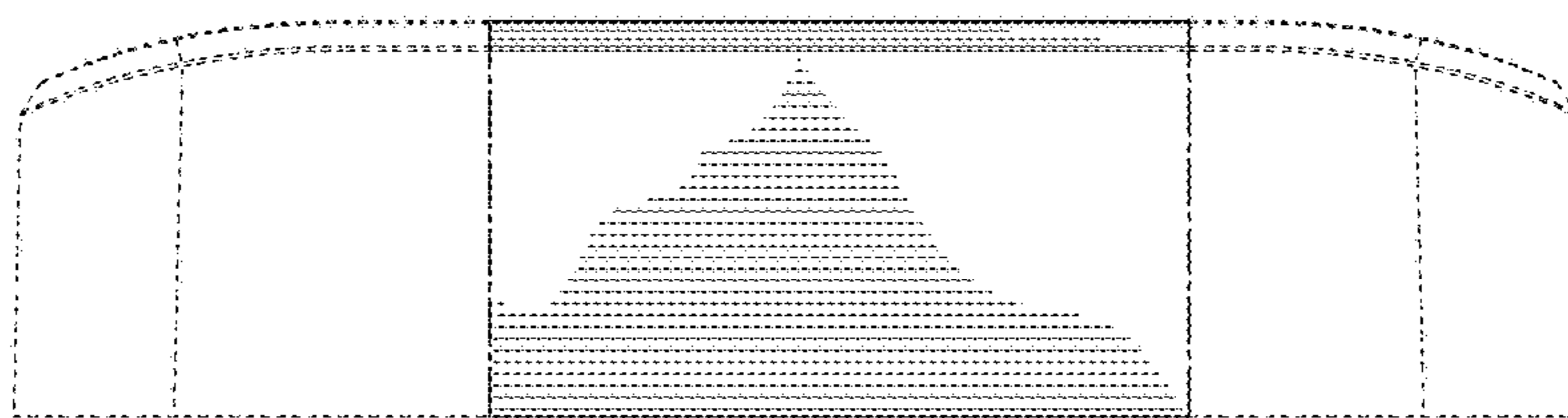


FIG. 3

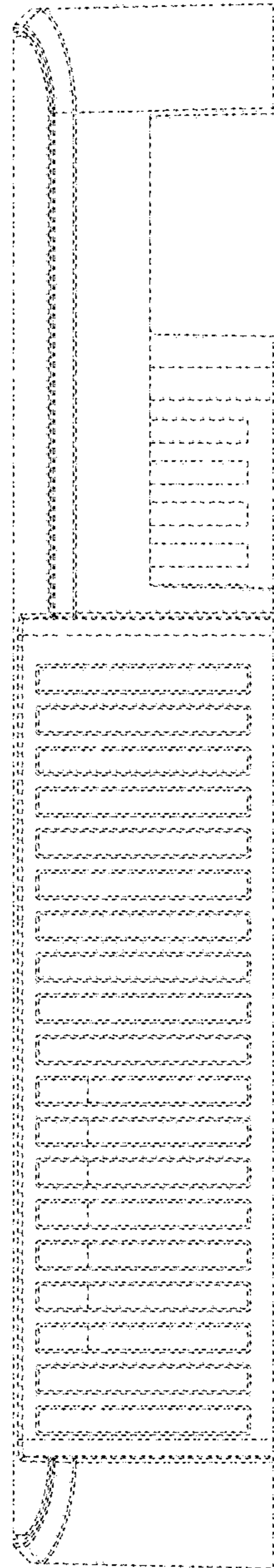


FIG. 4

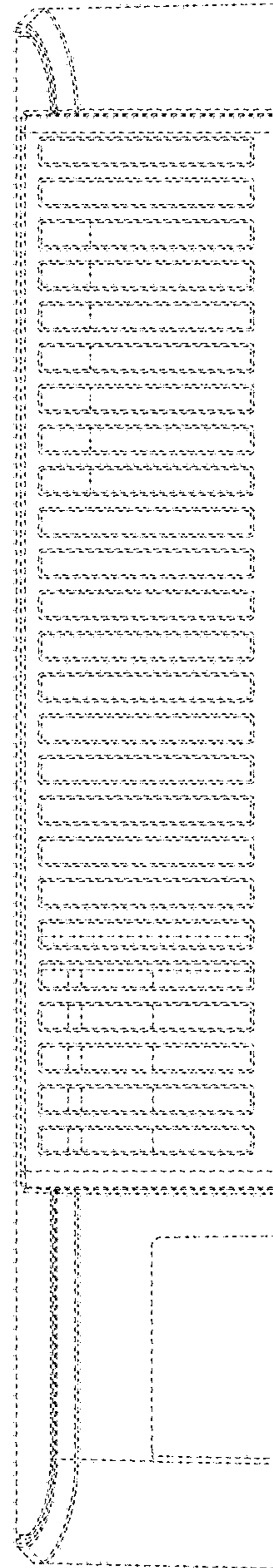


FIG. 5

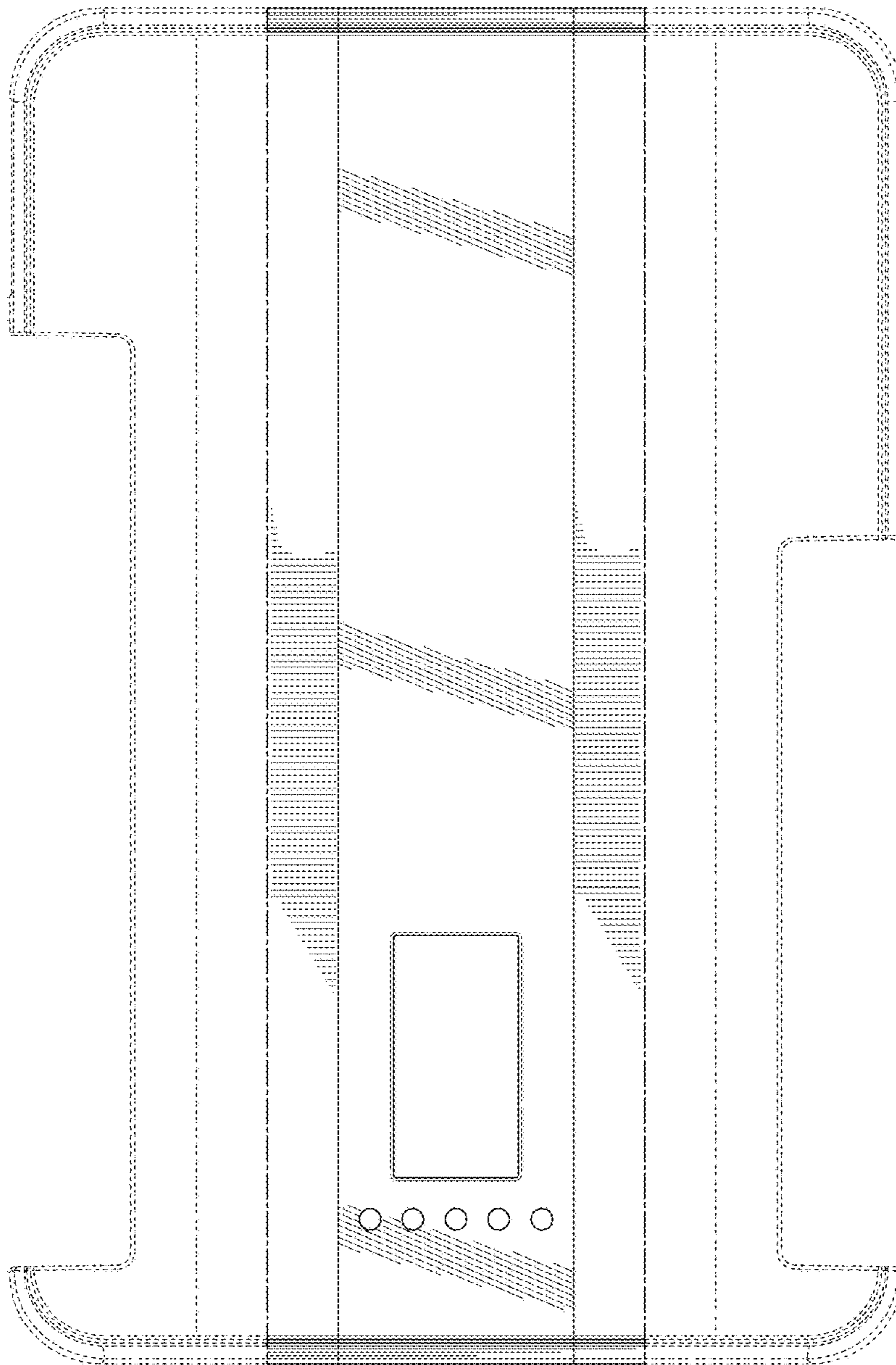


FIG. 6

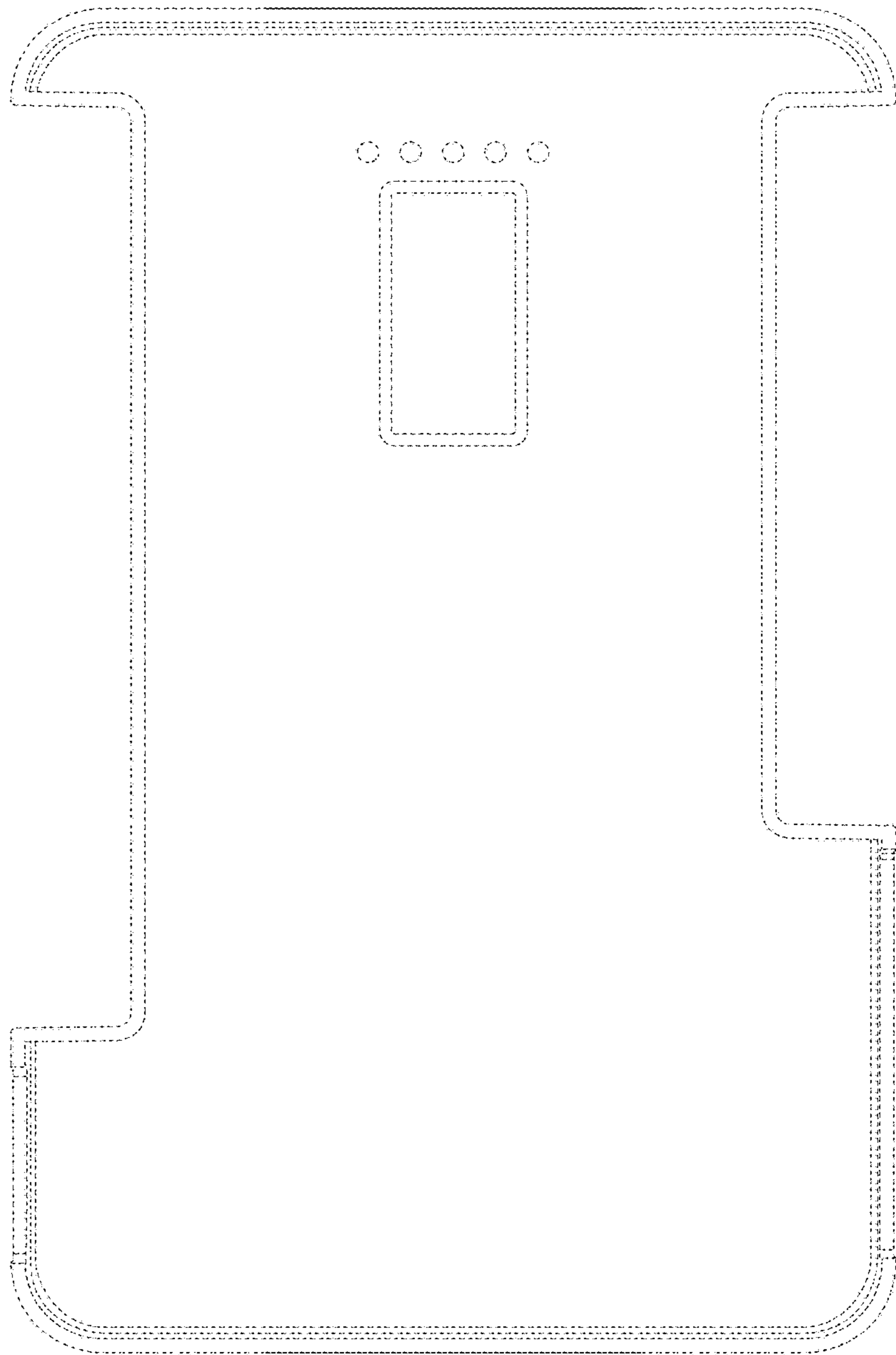


FIG. 7