



US00D853860S

(12) **United States Design Patent** (10) **Patent No.:** **US D853,860 S**  
**Bai** (45) **Date of Patent:** **\*\* Jul. 16, 2019**

(54) **PROJECTION ALARM CLOCK**

(71) Applicants: **MPOW TECHNOLOGY CO., LIMITED**, Kowloon (HK);  
**SHENZHEN YUANGUANGHAO ELECTRONICS CO., LTD**, Shenzhen (CN)

(72) Inventor: **Huijian Bai**, Shenzhen (CN)

(73) Assignees: **MPOW TECHNOLOGY CO., LIMITED**, Kowloon (HK);  
**SHENZHEN YUANGUANGHAO ELECTRONICS CO., LTD**, Shenzhen (CN)

(\*\*) Term: **15 Years**

(21) Appl. No.: **29/622,488**

(22) Filed: **Oct. 17, 2017**

(51) **LOC (11) Cl.** ..... **10-01**

(52) **U.S. Cl.**  
USPC ..... **D10/2; D10/15; 14/171**

(58) **Field of Classification Search**  
USPC ..... D10/1, 2-3, 5-7, 14-15, 22-28, 40-41,  
D10/46.1, 46.2, 49-50, 52, 55, 59,  
D10/122-124, 126-128, 132;  
D14/170-171, 197, 218, 489-490, 492;  
D15/28; D20/20-21, 29; D7/589;  
D11/160; D21/603  
CPC ..... G04B 19/00; G04B 19/04; G04B 19/042;  
G04B 19/044; G04B 19/06; G04B  
19/065; G04B 19/08; G04B 19/085;  
G04B 19/26; G04B 19/264; G04B  
45/0069; G04B 47/02; G04B 47/04;  
G04B 47/048; G04C 3/001; G04C 19/00;  
G04C 19/02; G04C 19/06; G04F 1/00;  
G04F 3/00; G04F 3/02; A47J 31/407;  
A61L 9/12; A61L 9/122; A61L 9/125;  
A61L 9/32

See application file for complete search history.

(56) **References Cited**

U.S. PATENT DOCUMENTS

D313,185 S *	12/1990	Sullivan	.....	D10/15
D320,167 S *	9/1991	Imai	.....	D10/15
D409,499 S *	5/1999	Hargrove, III	.....	D10/1
D412,285 S *	7/1999	Alesi	.....	D10/1
D485,190 S *	1/2004	Blaylock	.....	D10/15
D489,996 S *	5/2004	Chan	.....	D10/15
D491,072 S *	6/2004	Chan	.....	D10/15
D491,076 S *	6/2004	Hsu	.....	D10/15

(Continued)

*Primary Examiner* — Sandra S Snapp  
*Assistant Examiner* — Katherine Glennon

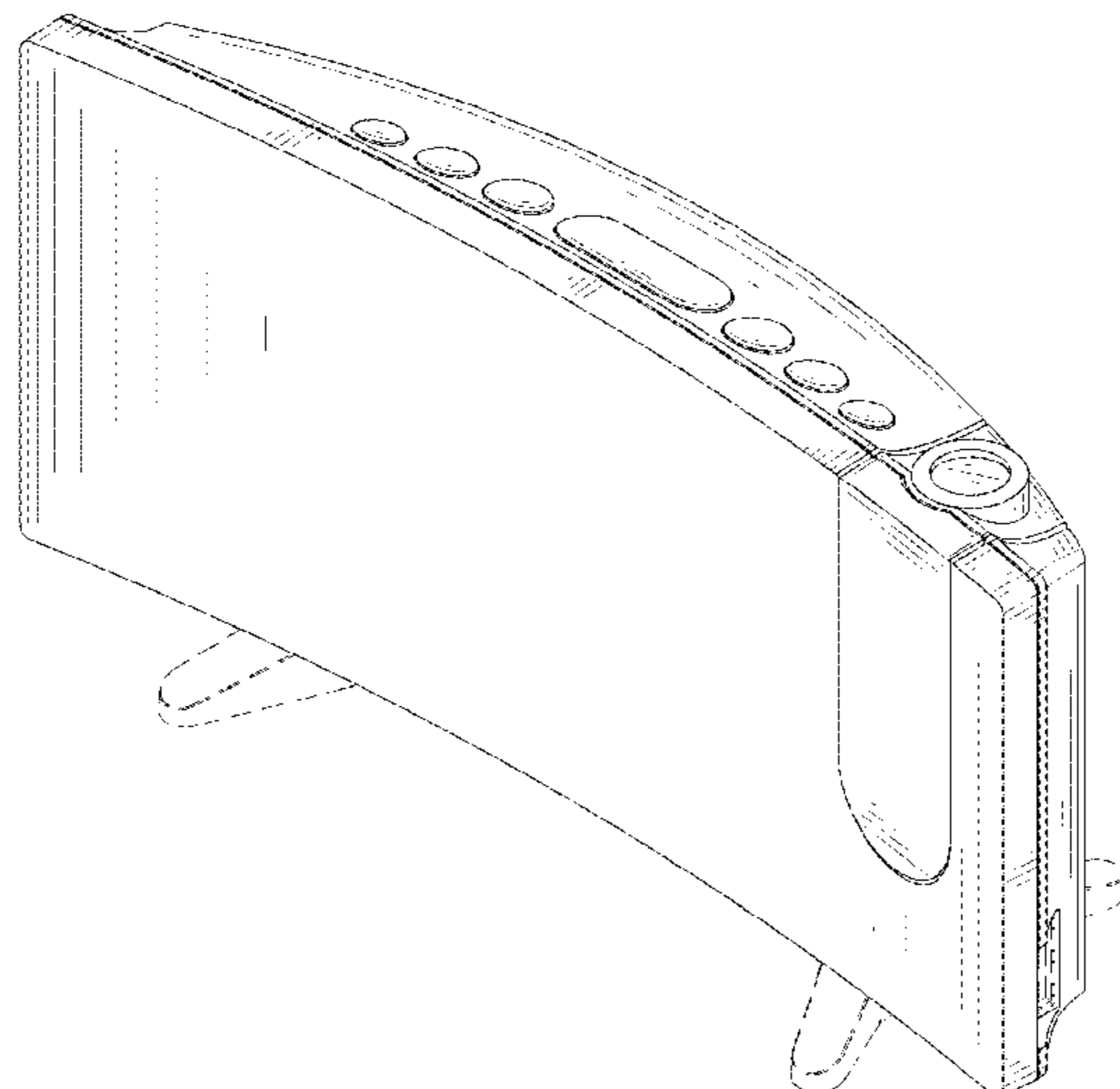
(57) **CLAIM**

The ornamental design for a projection alarm clock, as shown and described.

**DESCRIPTION**

FIG. 1 is a first perspective view of a projection alarm clock showing my new design;  
FIG. 2 is a second perspective view thereof;  
FIG. 3 is a front elevational view thereof;  
FIG. 4 is a rear elevational view thereof;  
FIG. 5 is a left side view thereof;  
FIG. 6 is a right side view thereof;  
FIG. 7 is a top plan view thereof;  
FIG. 8 is a bottom plan view thereof;  
FIG. 9 is another perspective view thereof wherein the projector is rotated;  
FIG. 10 is a partially enlarged view of the circled portion 10 in FIG. 5;  
FIG. 11 is a partially enlarged view of the circled portion 11 in FIG. 5; and,  
FIG. 12 is a partially enlarged view of the circled portion 12 in FIG. 6.  
The broken line portions are included to show unclaimed subject matter only and form no part of the claimed design.

**1 Claim, 12 Drawing Sheets**



(56)

**References Cited**

U.S. PATENT DOCUMENTS

D492,206 S *	6/2004	Chan .....	D10/15
D498,741 S *	11/2004	Zeitman .....	D14/171
D514,546 S *	2/2006	Chan .....	D14/171
D522,387 S *	6/2006	Bedol .....	D10/15
D531,057 S *	10/2006	Bhavnani .....	D10/1
D538,679 S *	3/2007	Chan .....	D10/15
D538,680 S *	3/2007	Chan .....	D10/15
D549,190 S *	8/2007	Paradise .....	D14/125
D559,711 S *	1/2008	Chan .....	D10/53
D574,822 S *	8/2008	Bhavnani .....	D10/15
D612,267 S *	3/2010	Tsang .....	D10/1
D639,824 S *	6/2011	Usami .....	D14/168
D709,855 S *	7/2014	Jonas .....	D13/107
D820,114 S *	6/2018	Hu .....	D10/15
D823,274 S *	7/2018	Hu .....	D14/155

\* cited by examiner

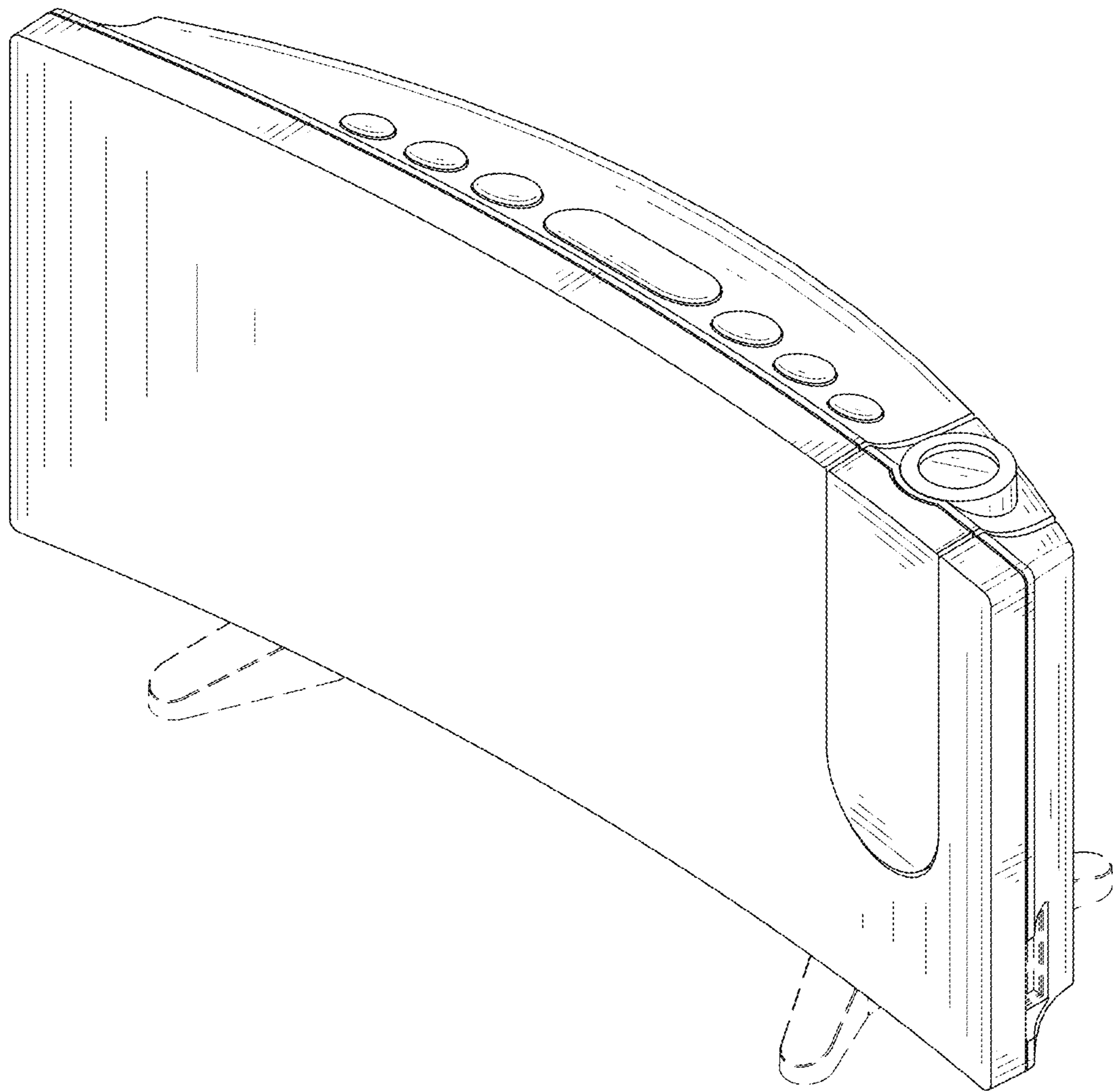


FIG. 1

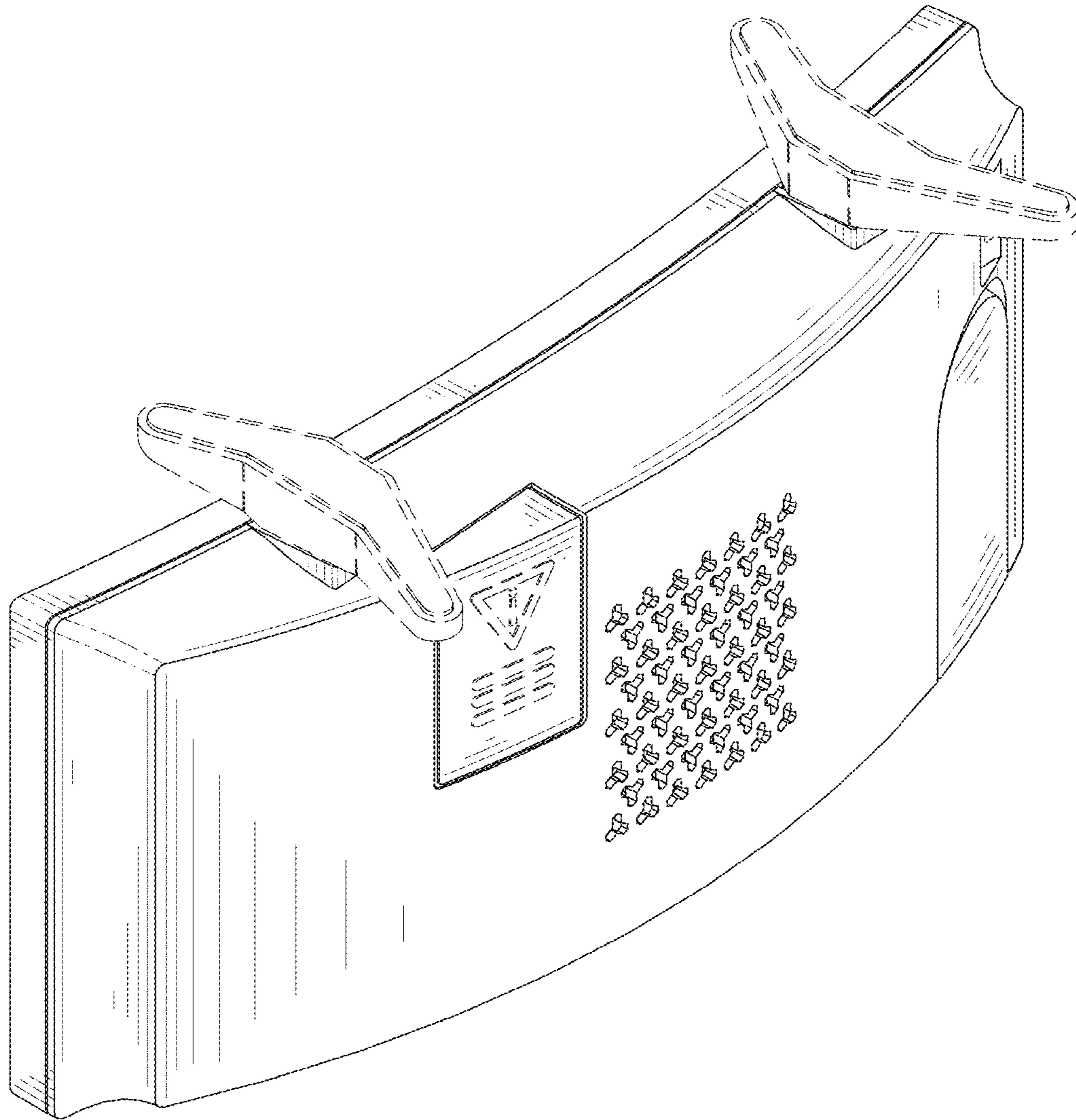


FIG. 2

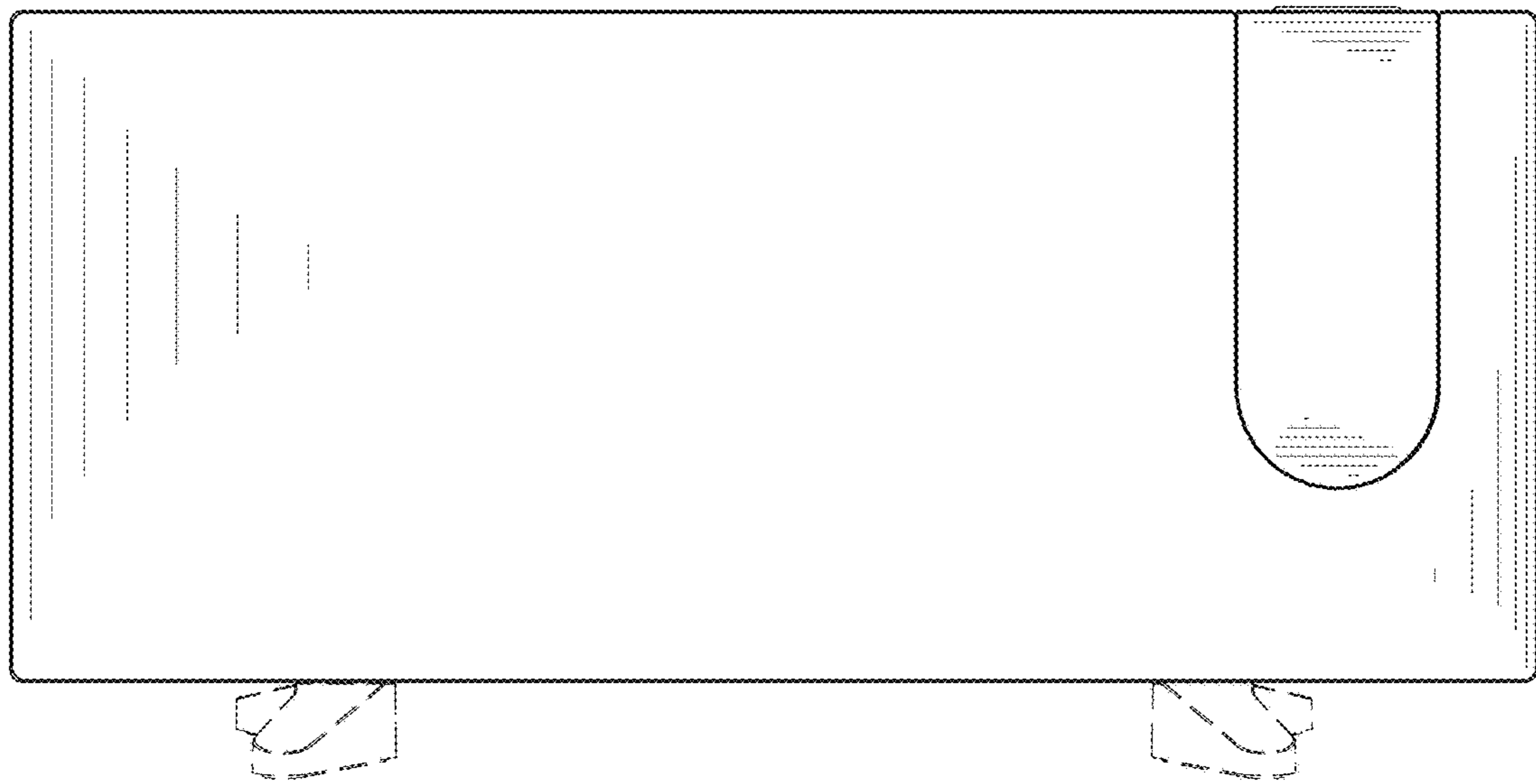


FIG. 3



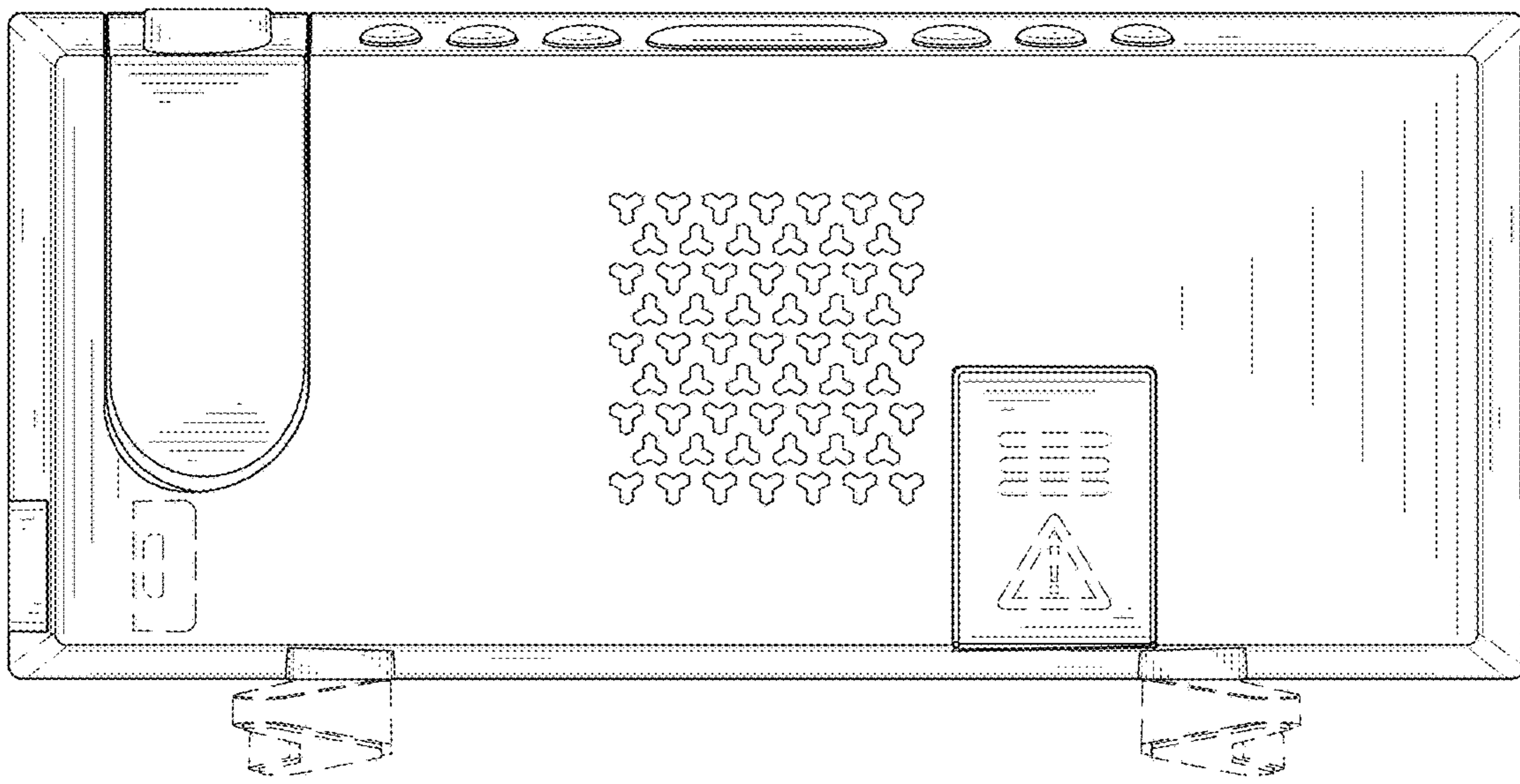


FIG. 4

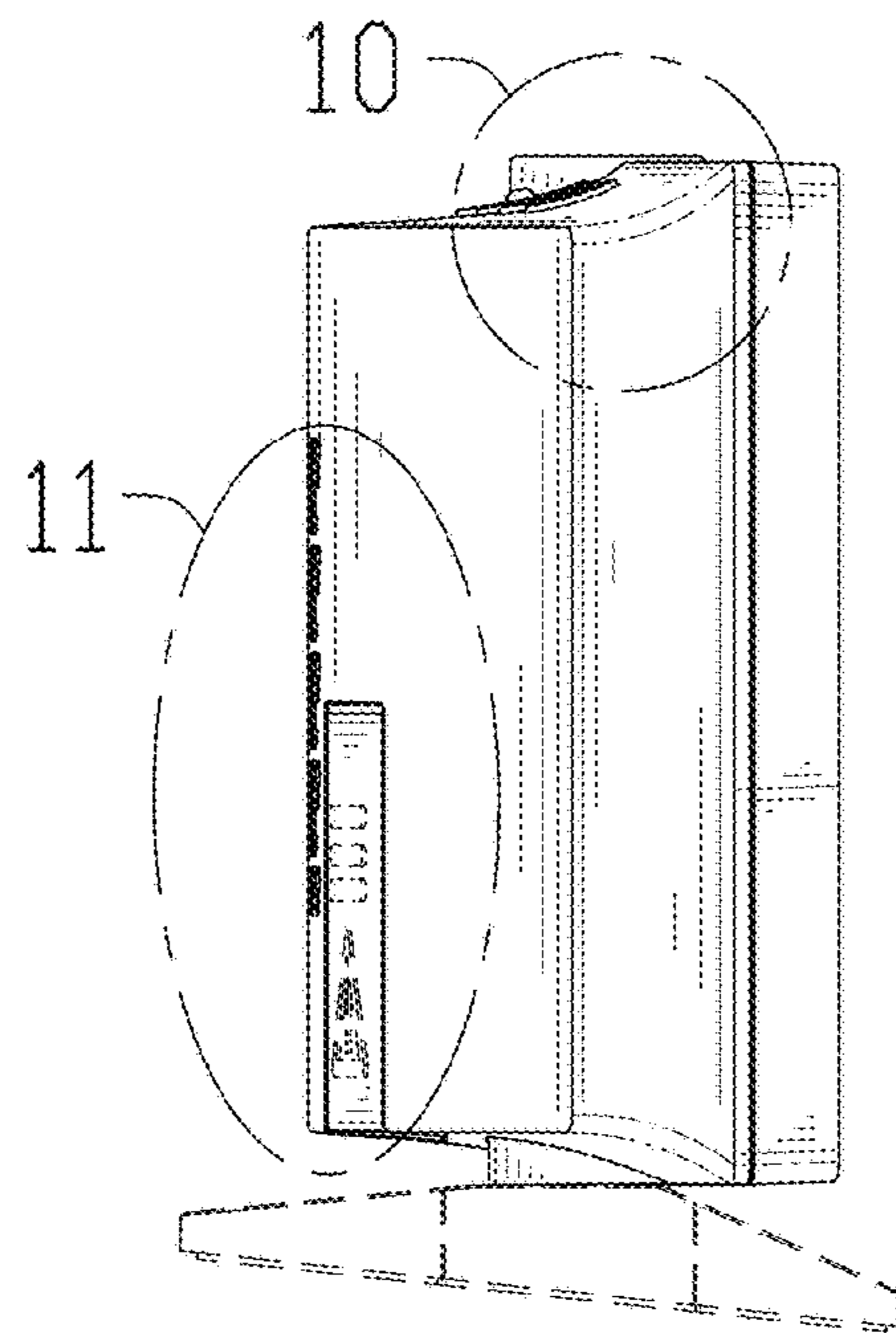


FIG. 5

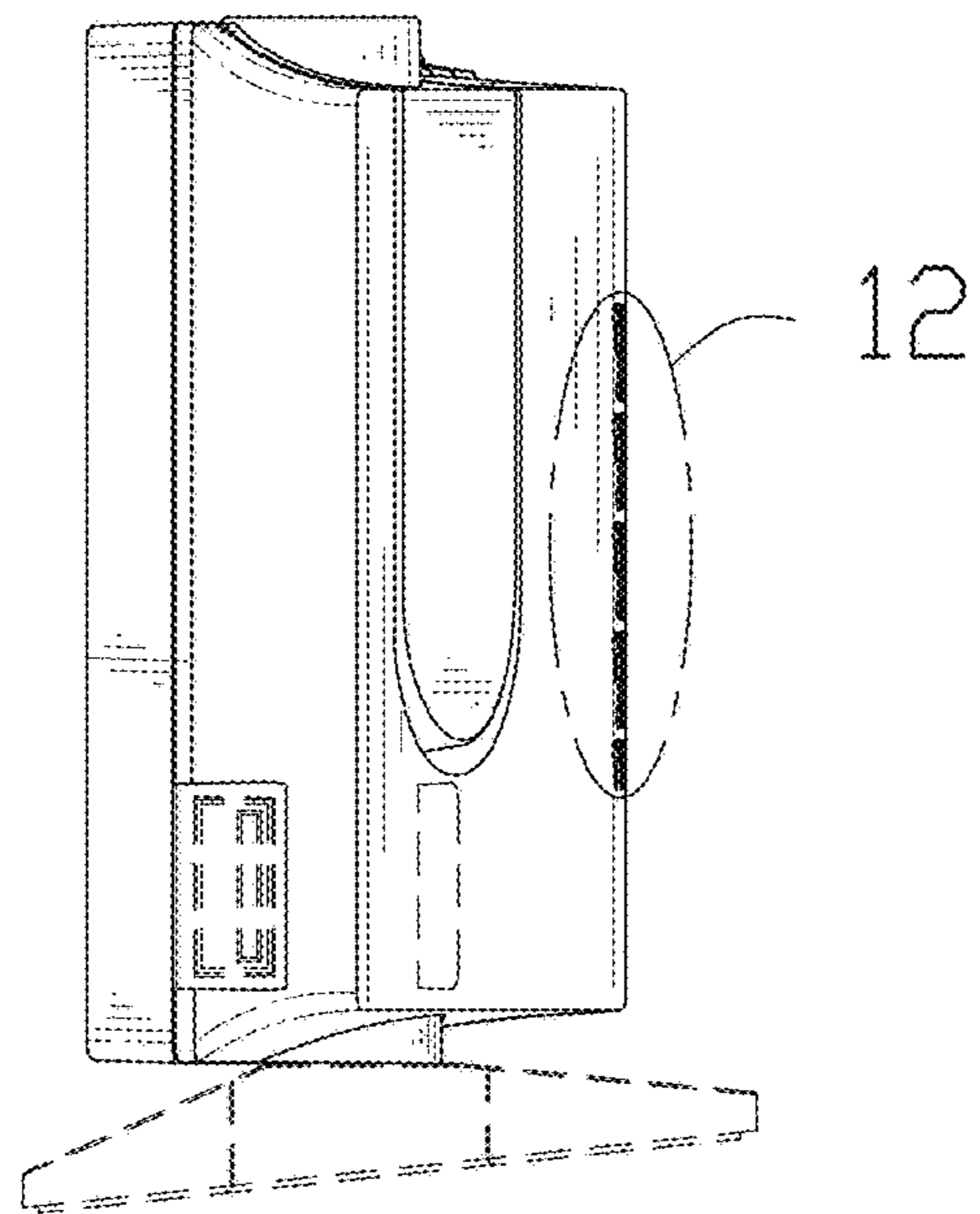


FIG. 6



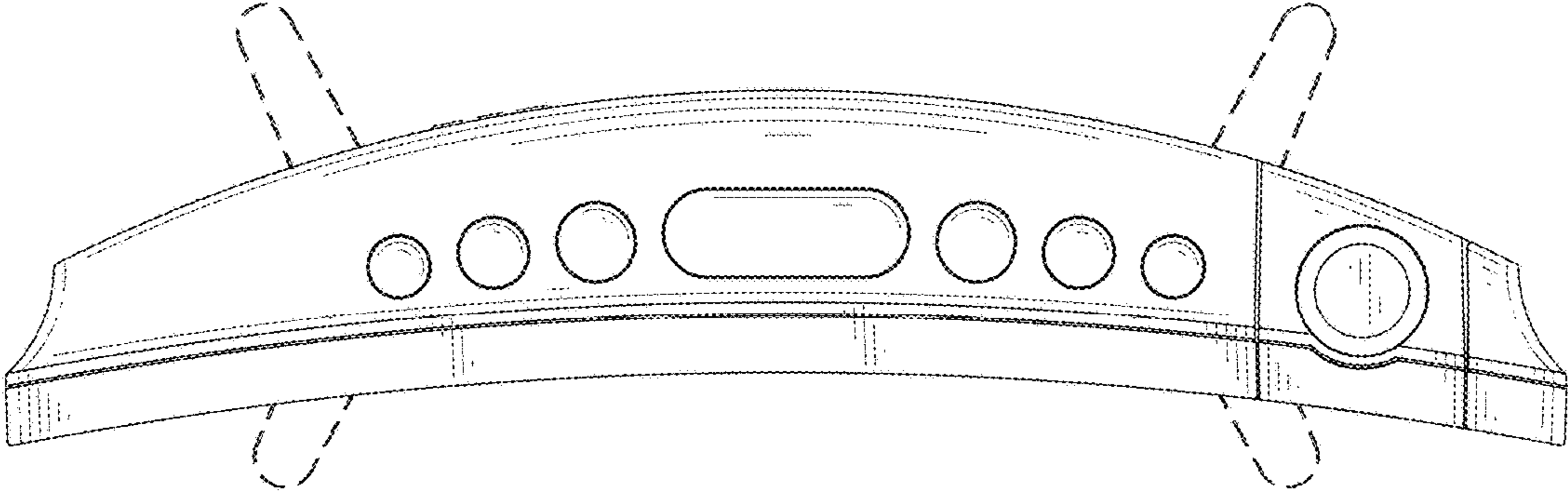


FIG. 7

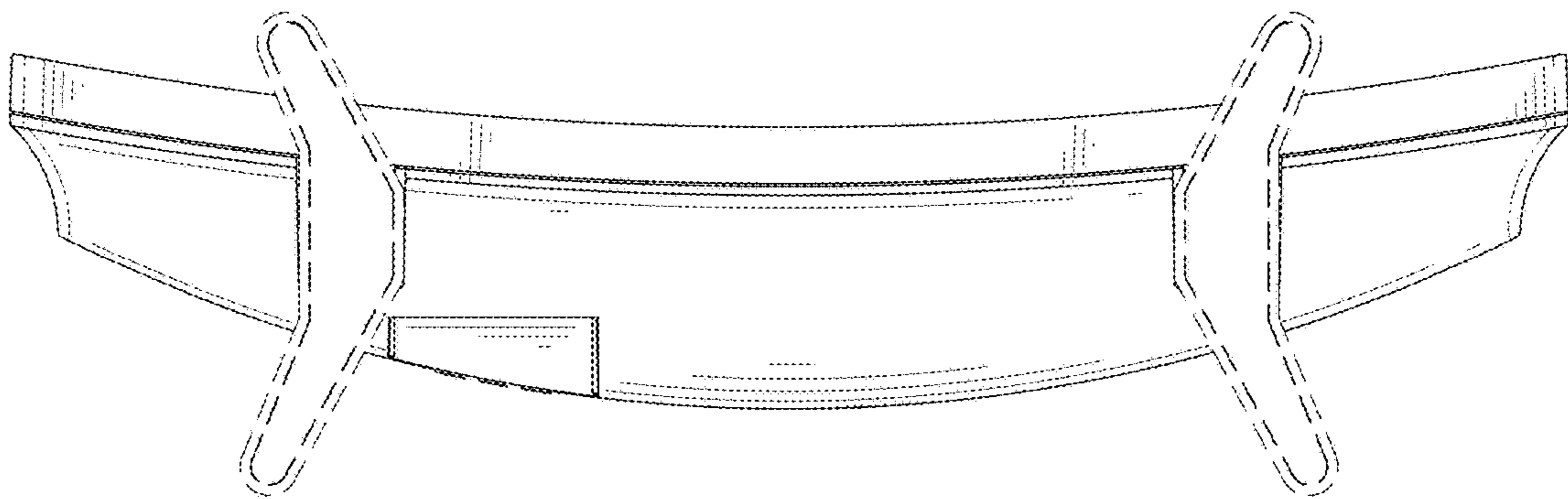


FIG. 8

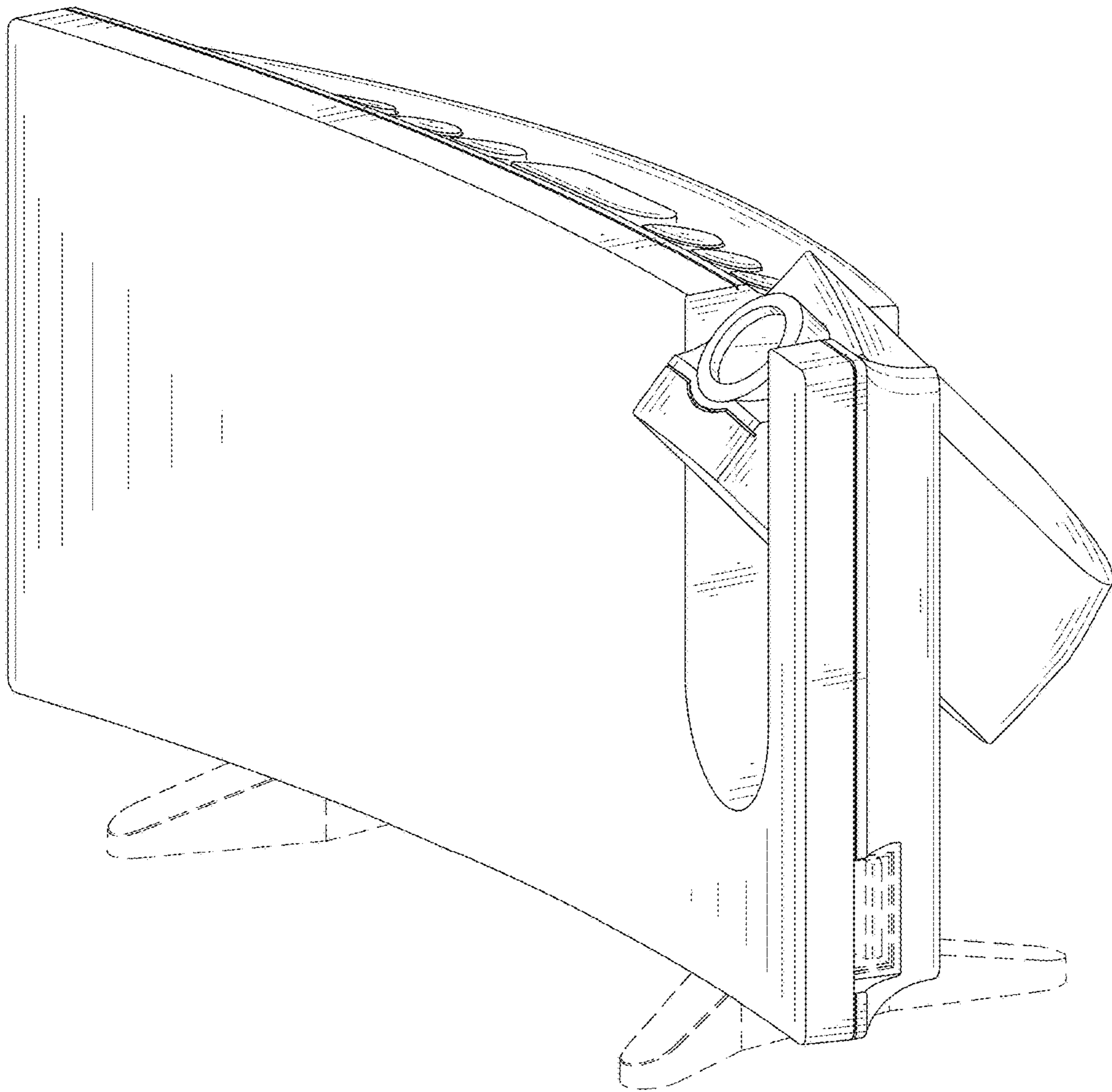


FIG. 9

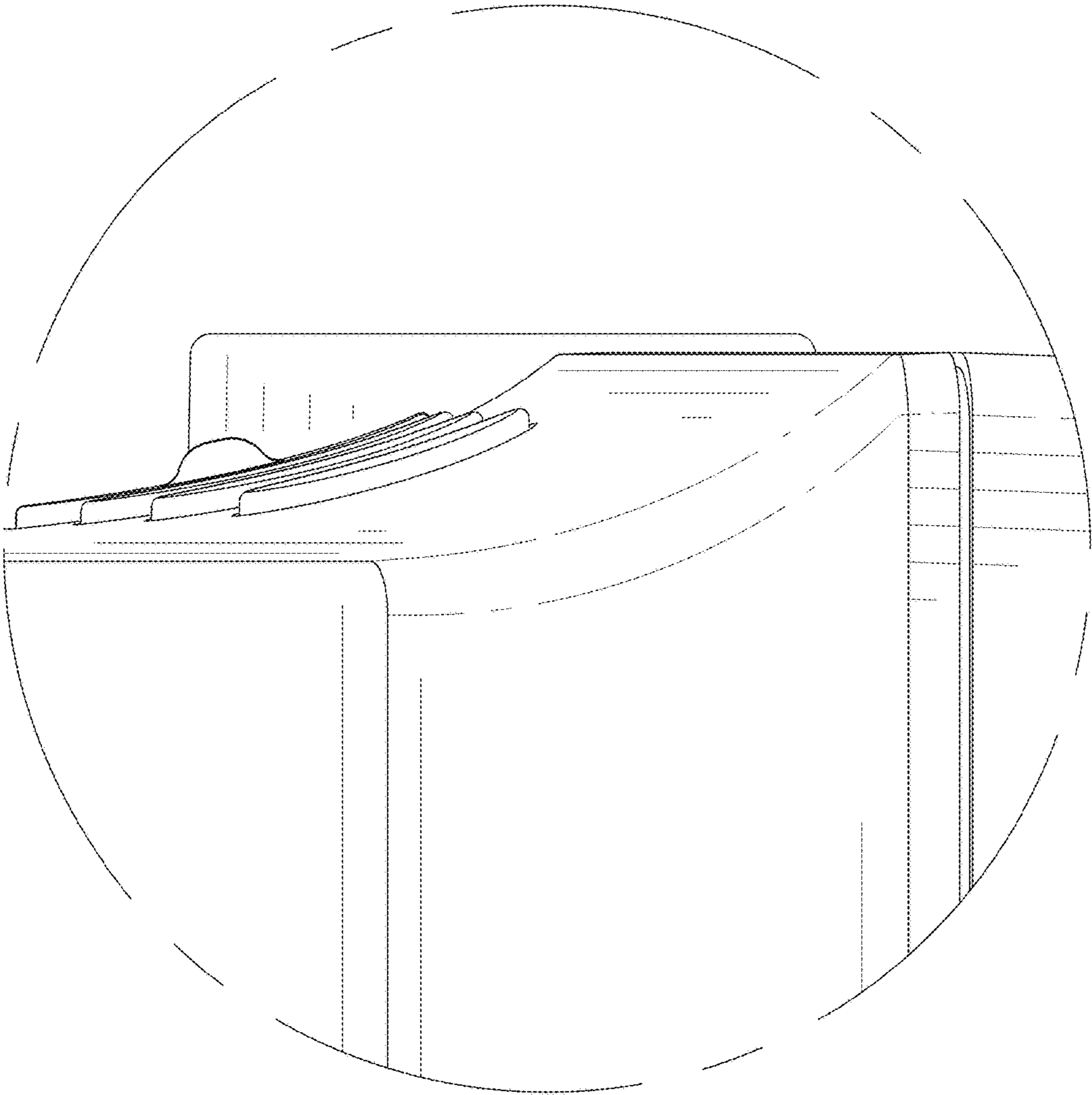


FIG. 10

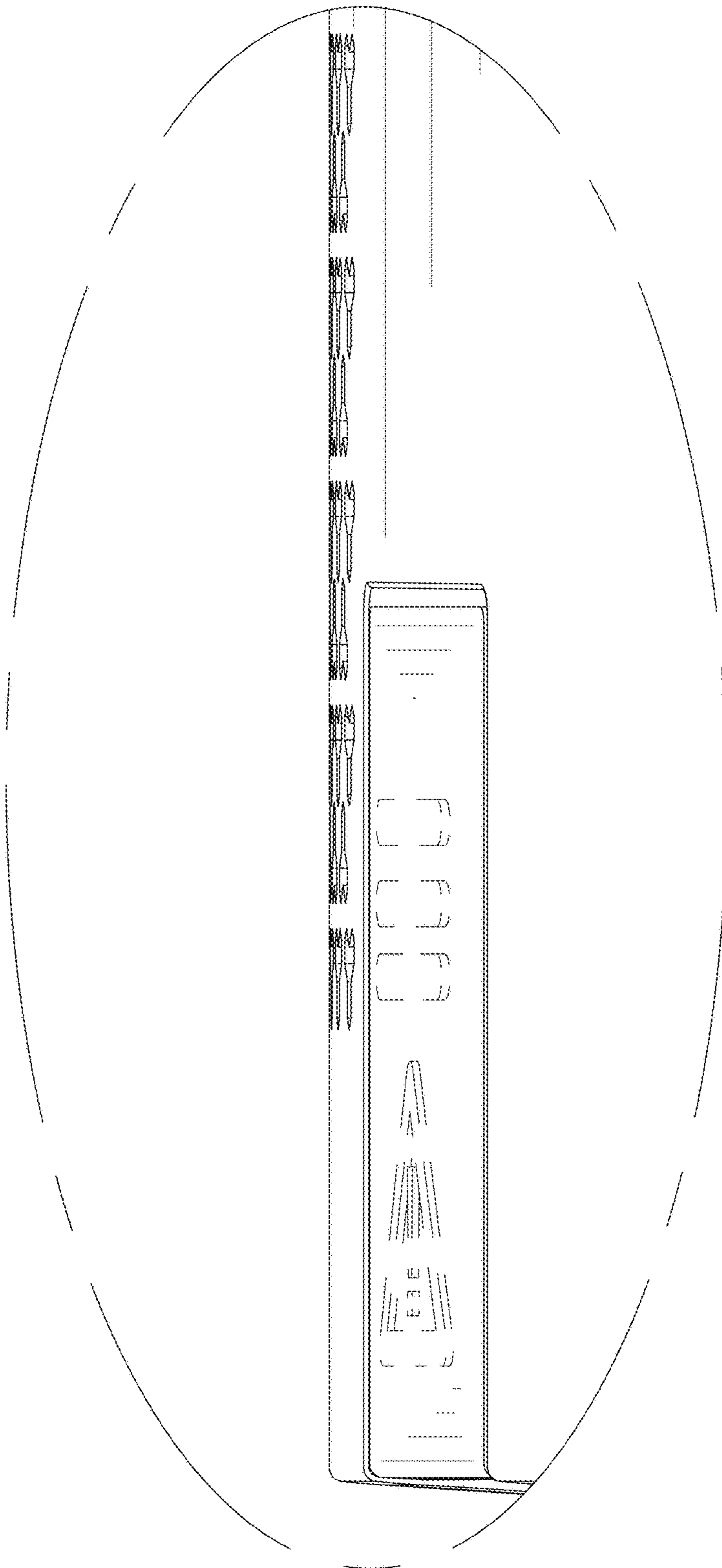


FIG. 11

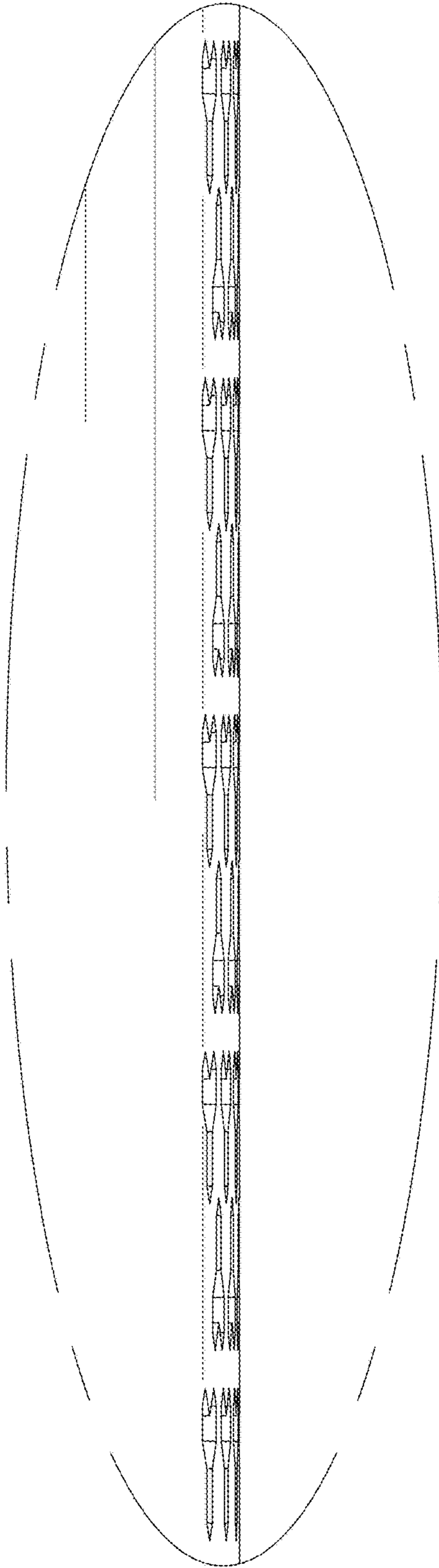


FIG. 12