



US00D853859S

(12) **United States Design Patent**
Tayara

(10) **Patent No.:** **US D853,859 S**
(45) **Date of Patent:** **** Jul. 16, 2019**

(54) **EGG CARTON**

(71) Applicant: **Global Plastics, Inc.**, Perris, CA (US)

(72) Inventor: **Tarek Tayara**, Perris, CA (US)

(73) Assignee: **GLOBAL PLASTICS, INC.**, Perris, CA (US)

(**) Term: **15 Years**

(21) Appl. No.: **29/628,548**

(22) Filed: **Dec. 5, 2017**

Related U.S. Application Data

(62) Division of application No. 29/586,659, filed on Dec. 6, 2016, now Pat. No. Des. 804,324.

(51) **LOC (11) Cl.** **09-03**

(52) **U.S. Cl.**
USPC **D9/757**; D9/762

(58) **Field of Classification Search**
USPC D9/762, 757, 737, 761, 420-426, 432, D9/418, 415, 501, 72, 739, 742, 753, 756, D9/741, 721; D7/611, 550.1, 605, 701, D7/553.1, 553.2, 614; D3/313, 304, 311, D3/314, 315; D24/227; 206/139, 206/201-203, 427, 265, 504, 518, 519, 206/524.1, 557, 561, 564, 565, 703, 704, 206/705, 523, 586, 515, 521.1, 521.15, 206/521.3, 521.6, 521.8, 521.4, 521.9, 206/406; 220/4.26, 508; 209/406; D11/143, 155, 156

CPC B65D 5/5495; B65D 85/1072; B65D 5/5253; B65D 85/1063; B65D 5/0085; B65D 21/0204; B65D 5/427; B65D 21/0201; B65D 5/009; B65D 77/006; B65D 85/324; B65D 85/32; B65D 71/70; B65D 85/322; B65D 25/04

See application file for complete search history.

(56) **References Cited**

U.S. PATENT DOCUMENTS

2,285,129 A 6/1942 Schwartzberg
2,455,295 A 11/1948 Cox

(Continued)

FOREIGN PATENT DOCUMENTS

WO 2012010992 1/2012

Primary Examiner — Cathron C Brooks

Assistant Examiner — W. A. Teddy Falloway

(74) *Attorney, Agent, or Firm* — Cislo & Thomas, LLP

(57) **CLAIM**

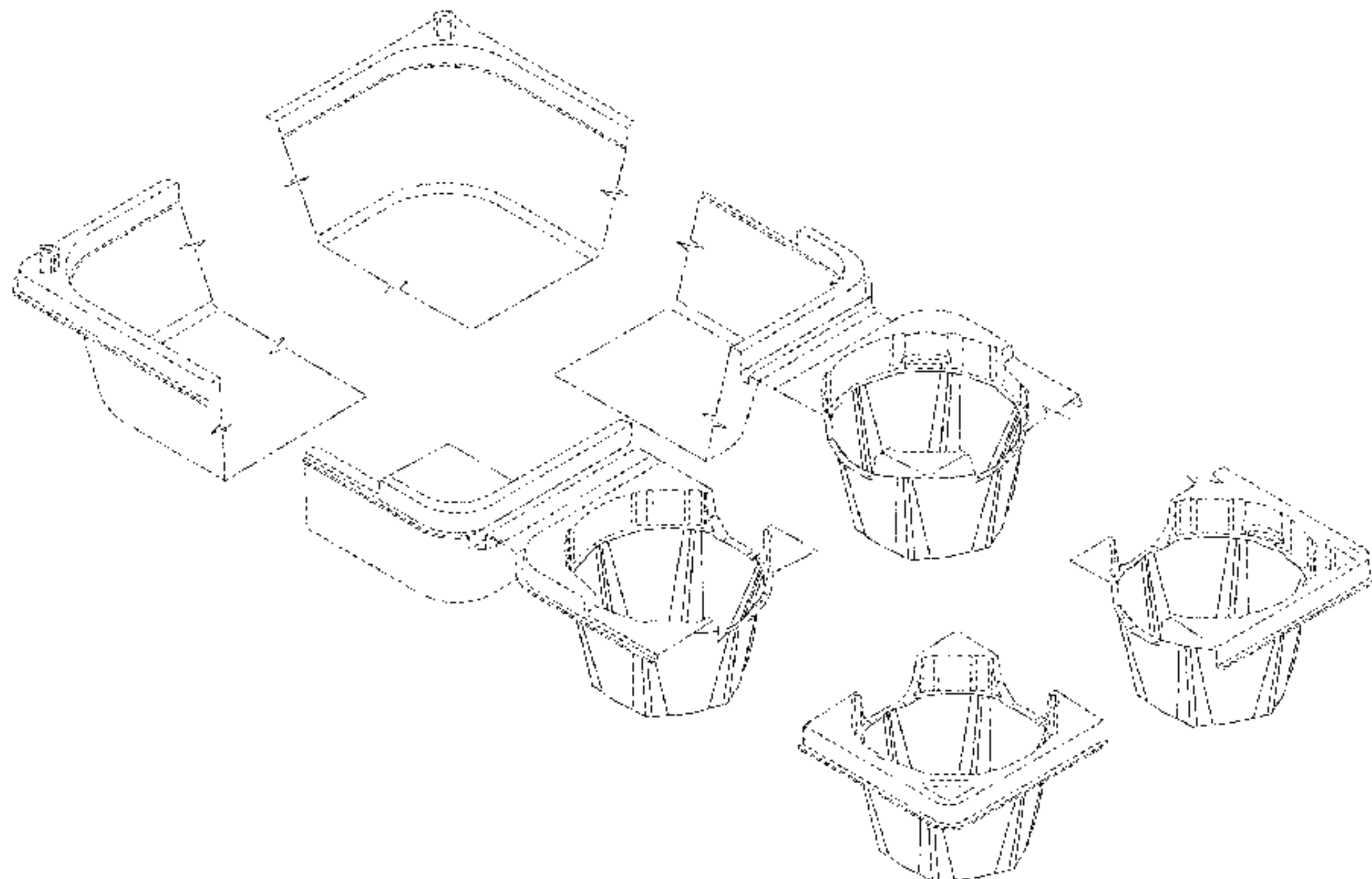
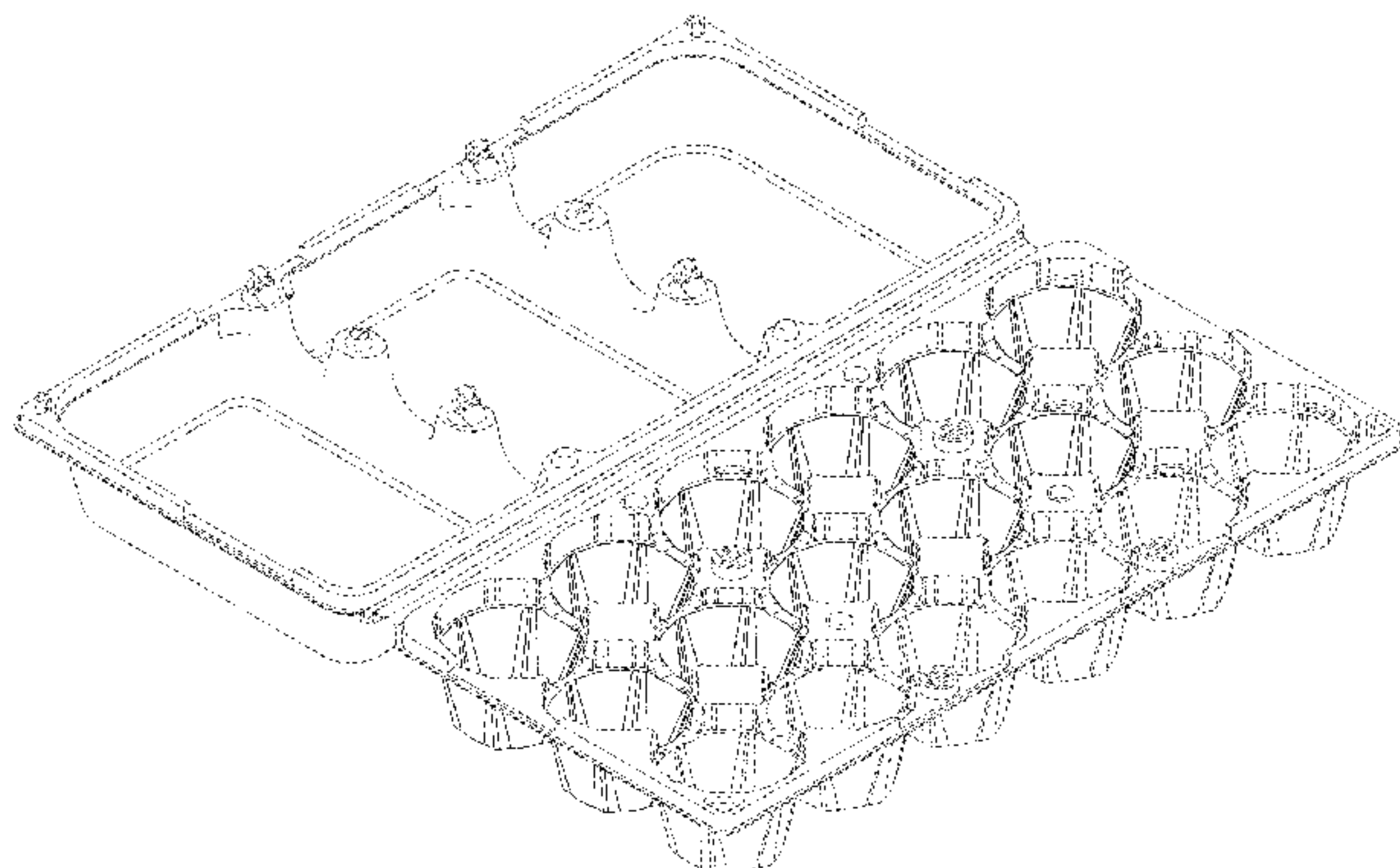
The ornamental design for an egg carton, as shown and described.

DESCRIPTION

FIG. 1 is a perspective view of an embodiment of my egg carton in an open configuration; FIG. 2 is a front view thereof; FIG. 3 is a rear view thereof; FIG. 4 is a left side view thereof; FIG. 5 is a right side view thereof; FIG. 6 is a top view thereof; and FIG. 7 is a bottom view thereof; FIG. 8 is a perspective view of another embodiment of my egg carton in an open configuration; FIG. 9 is a front view thereof; FIG. 10 is a rear view thereof; FIG. 11 is a left side view thereof; FIG. 12 is a right side view thereof; FIG. 13 is a top view thereof; and, FIG. 14 is a bottom view thereof.

The broken lines shown in the drawings illustrate portions of the egg carton that form no part of the claimed design. The egg carton is shown with a symbolic break in both its length and width, represented by multiple break lines. The

(Continued)



appearance of any portion of the article between the break lines forms no part of the claimed design.

1 Claim, 9 Drawing Sheets

(56)

References Cited

U.S. PATENT DOCUMENTS

2,560,647 A	7/1951	Chaplin	7,353,951 B2	4/2008	Vovan
2,591,446 A	4/1952	Lennon	D592,076 S	5/2009	Sipe et al.
D197,031 S	12/1963	Reifers	D592,077 S	5/2009	Sipe et al.
D197,093 S	12/1963	Reifers	7,686,181 B2	3/2010	St-Onge
3,131,846 A	5/1964	Whiteford	D616,267 S	5/2010	Kulzer
3,144,972 A	8/1964	Hartmann et al.	D616,270 S	5/2010	Kulzer
3,257,062 A	6/1966	Whiteford	D616,714 S	6/2010	Kulzer
3,362,605 A	1/1968	Bixler	D619,860 S	7/2010	Kulzer
3,421,682 A	1/1969	Eisenbach	7,766,169 B2	8/2010	St-Onge
3,458,108 A	7/1969	Howarth et al.	D623,975 S	9/2010	Woods
3,471,078 A	10/1969	Seest et al.	D623,976 S	9/2010	Rabassa et al.
3,603,499 A	9/1971	Snow	D632,974 S	2/2011	Dijkstra et al.
3,645,436 A	2/1972	Boyd et al.	D632,977 S	2/2011	Dijkstra et al.
3,661,317 A	5/1972	Noguchi	D656,843 S	4/2012	Schleining
3,664,574 A	5/1972	Pearl et al.	D661,601 S	6/2012	Sanfilippo
3,672,693 A	6/1972	Weir	D689,376 S	9/2013	Von der Ahe
3,771,712 A	11/1973	Richards	8,695,803 B2	4/2014	Blanchette et al.
3,779,370 A	12/1973	Snow et al.	8,863,955 B2	10/2014	St-Onge
3,813,027 A	5/1974	Misdorn, Jr. et al.	D735,585 S	8/2015	Tayara
3,908,891 A	9/1975	Jackson	D739,265 S	9/2015	Buckley et al.
4,025,038 A	5/1977	Reifers et al.	D739,767 S	9/2015	Schleining
4,057,188 A	11/1977	Steinhardt	9,169,058 B1	10/2015	Ramirez et al.
4,059,219 A	11/1977	Reifers et al.	9,340,343 B2	5/2016	Ramirez et al.
4,161,382 A	7/1979	Padovani	9,340,349 B2	5/2016	Ramirez et al.
4,205,777 A	6/1980	Brown et al.	9,340,350 B2	5/2016	Kuruvilla et al.
D266,225 S	9/1982	Villotte	D758,916 S	6/2016	Davis
4,352,427 A	10/1982	Lake	9,382,056 B1	7/2016	Hanna
D273,844 S	5/1984	Bixler et al.	D766,663 S	9/2016	Bergeron et al.
4,448,344 A	5/1984	Lord et al.	D778,176 S *	2/2017	Long D9/757
D274,790 S	7/1984	Bixler et al.	9,617,060 B1 *	4/2017	Hanna B65D 81/28
4,492,331 A	1/1985	Bixler et al.	D792,277 S *	7/2017	Davis D11/143
4,609,141 A	9/1986	Lake	D804,965 S *	12/2017	Schleining D9/762
4,625,905 A	12/1986	Mangla	D834,952 S *	12/2018	Kuruvilla D9/757
4,657,173 A	4/1987	Lake	2005/0178689 A1	8/2005	Aardema et al.
D291,533 S	8/1987	Mangla	2006/0060493 A1	3/2006	Marshall
4,742,953 A	5/1988	Jacobs et al.	2007/0138177 A1	6/2007	Vovan
4,795,080 A	1/1989	McIntyre	2007/0151892 A1 *	7/2007	St-Onge B65D 85/32
D305,405 S	1/1990	Wilkinson	2007/0256954 A1 *	11/2007	Vovan B65D 71/70
D306,138 S	2/1990	Congleton et al.	2008/0283437 A1 *	11/2008	St-Onge B65D 85/32
5,927,501 A	7/1999	Herbruck	2010/0187150 A1	7/2010	Dijkstra et al.
6,012,583 A	1/2000	Ramirez	2011/0233100 A1	9/2011	Attard
D466,802 S	12/2002	Davkovski	2013/0020224 A1	1/2013	Ramirez et al.
D514,452 S	2/2006	Enriquez	2013/0048527 A1	2/2013	Ramirez et al.
D520,377 S	5/2006	Beese et al.	2013/0048528 A1	2/2013	Ramirez et al.
7,255,231 B2	8/2007	Andrews et al.	2013/0126384 A1	5/2013	Ogg
			2013/0183412 A1 *	7/2013	Ramirez B65D 77/0413
			2013/0264243 A1 *	10/2013	Aardema B65D 85/32
			2016/0046432 A1 *	2/2016	Kuruvilla B65D 85/32
			2018/0273284 A1 *	9/2018	Bergeron B65D 85/32

* cited by examiner

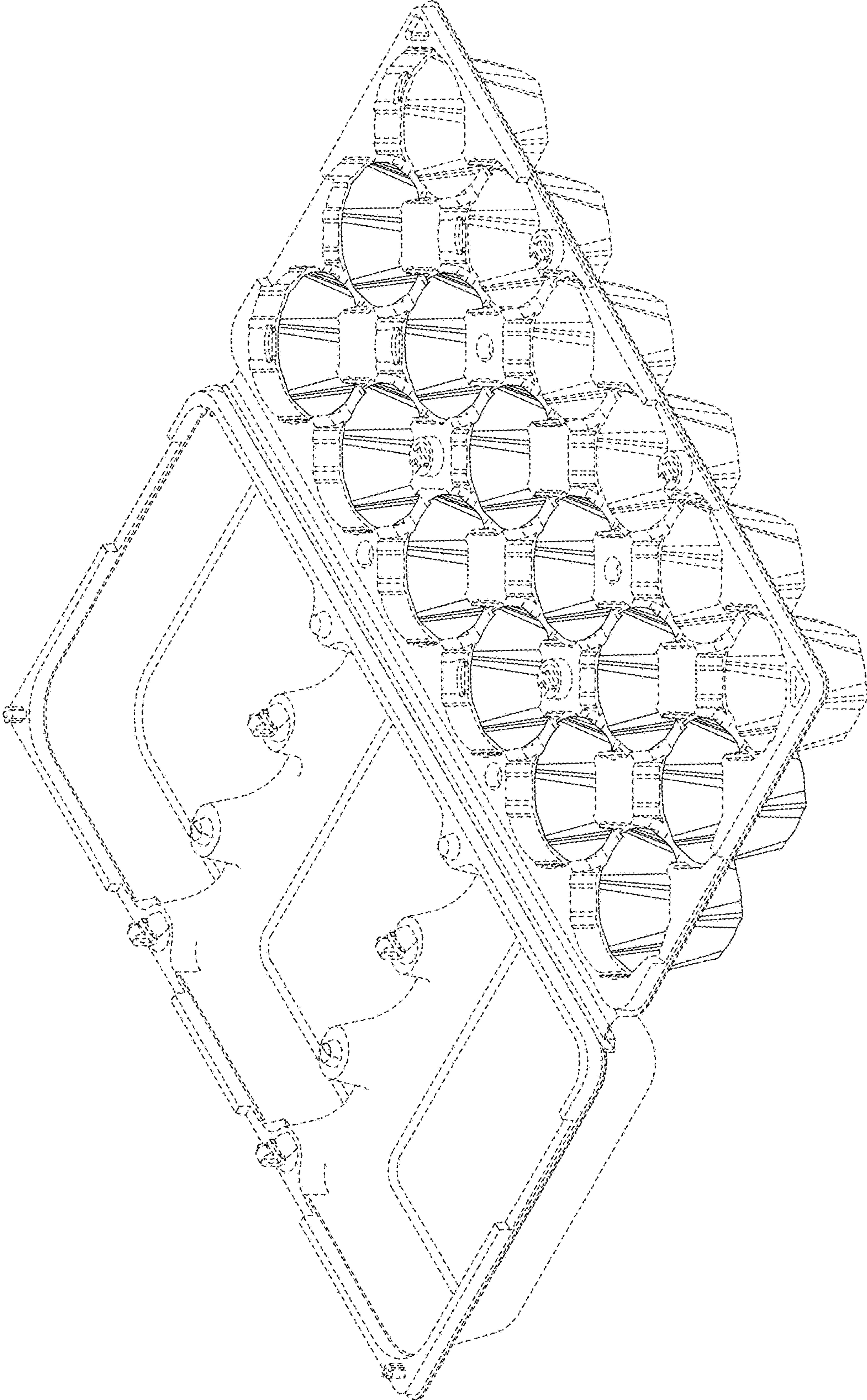


Fig. 1

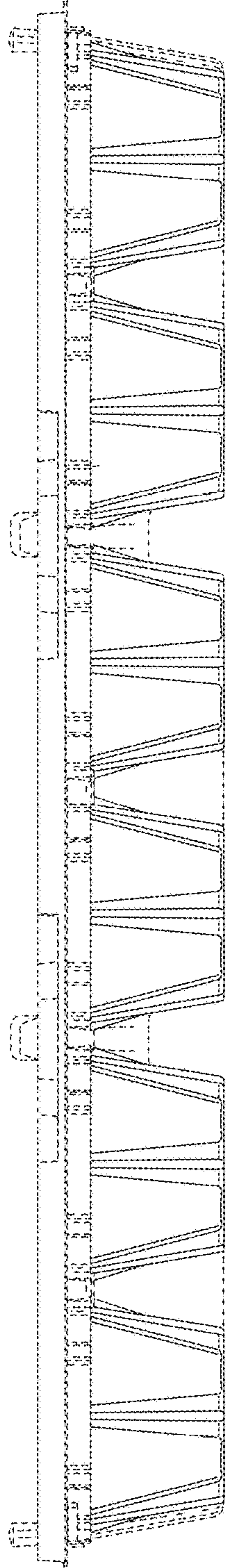


Fig. 2

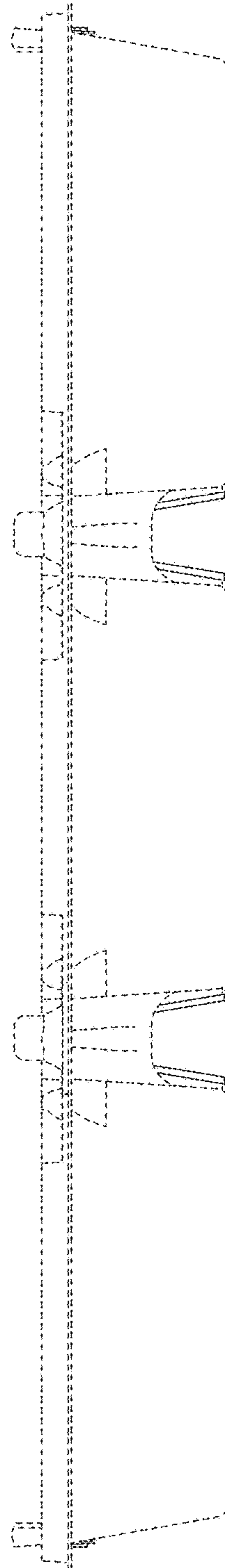


Fig. 3

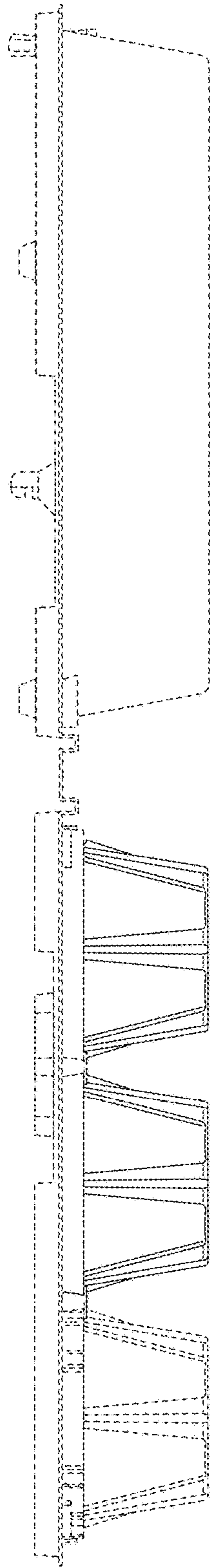


Fig. 4

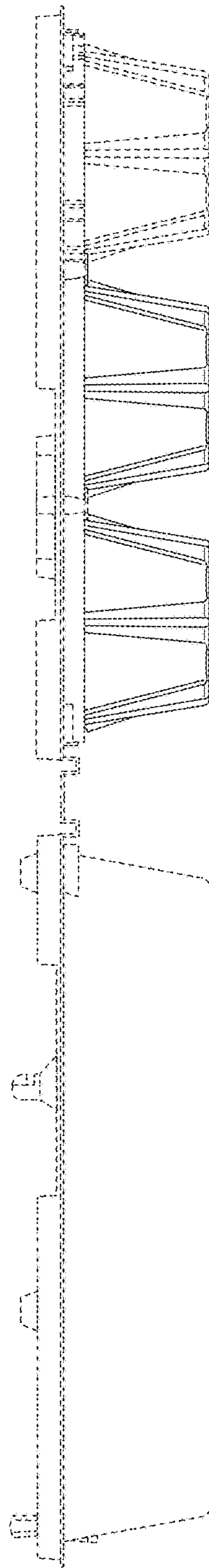


Fig. 5

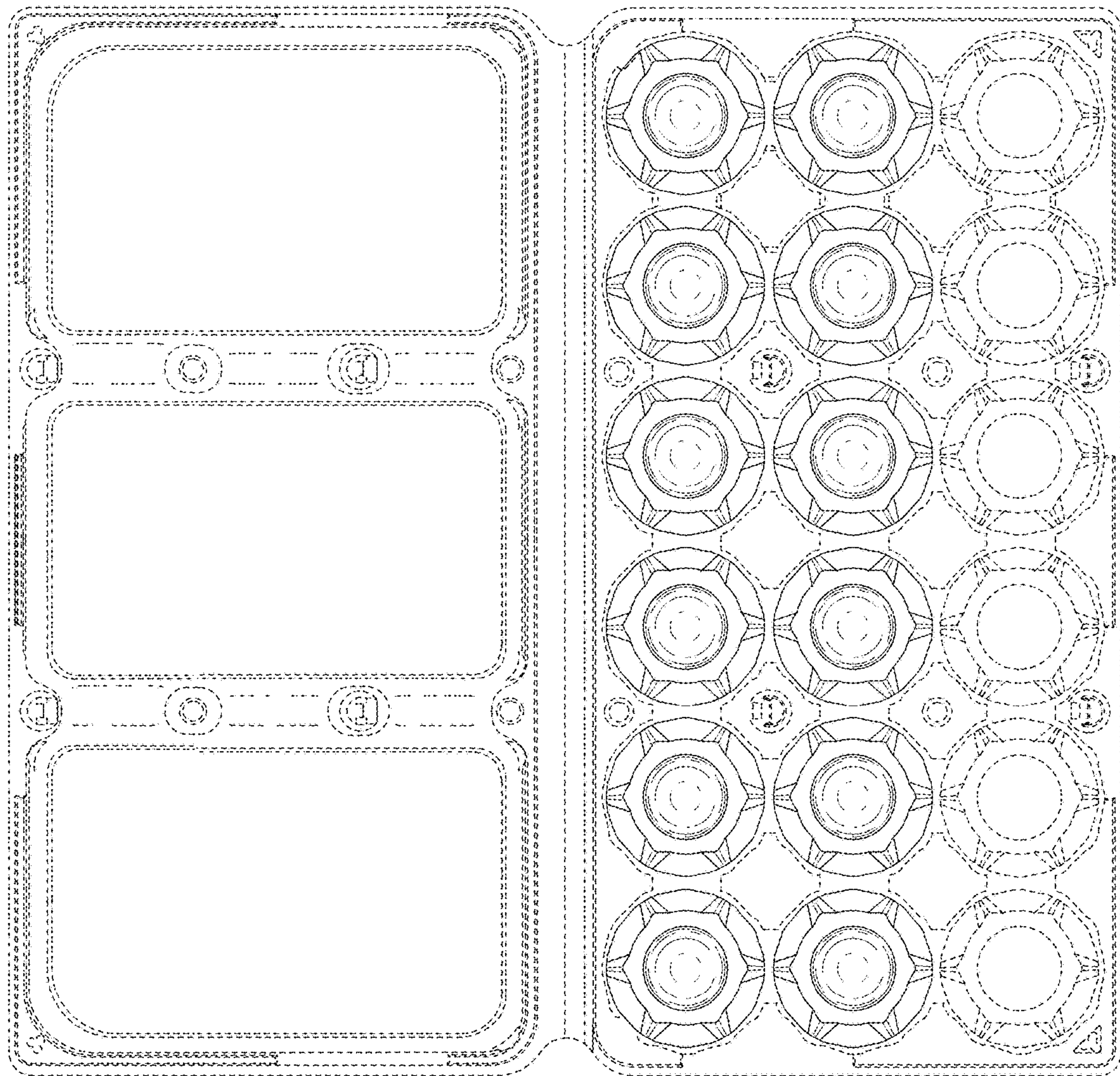


Fig. 6

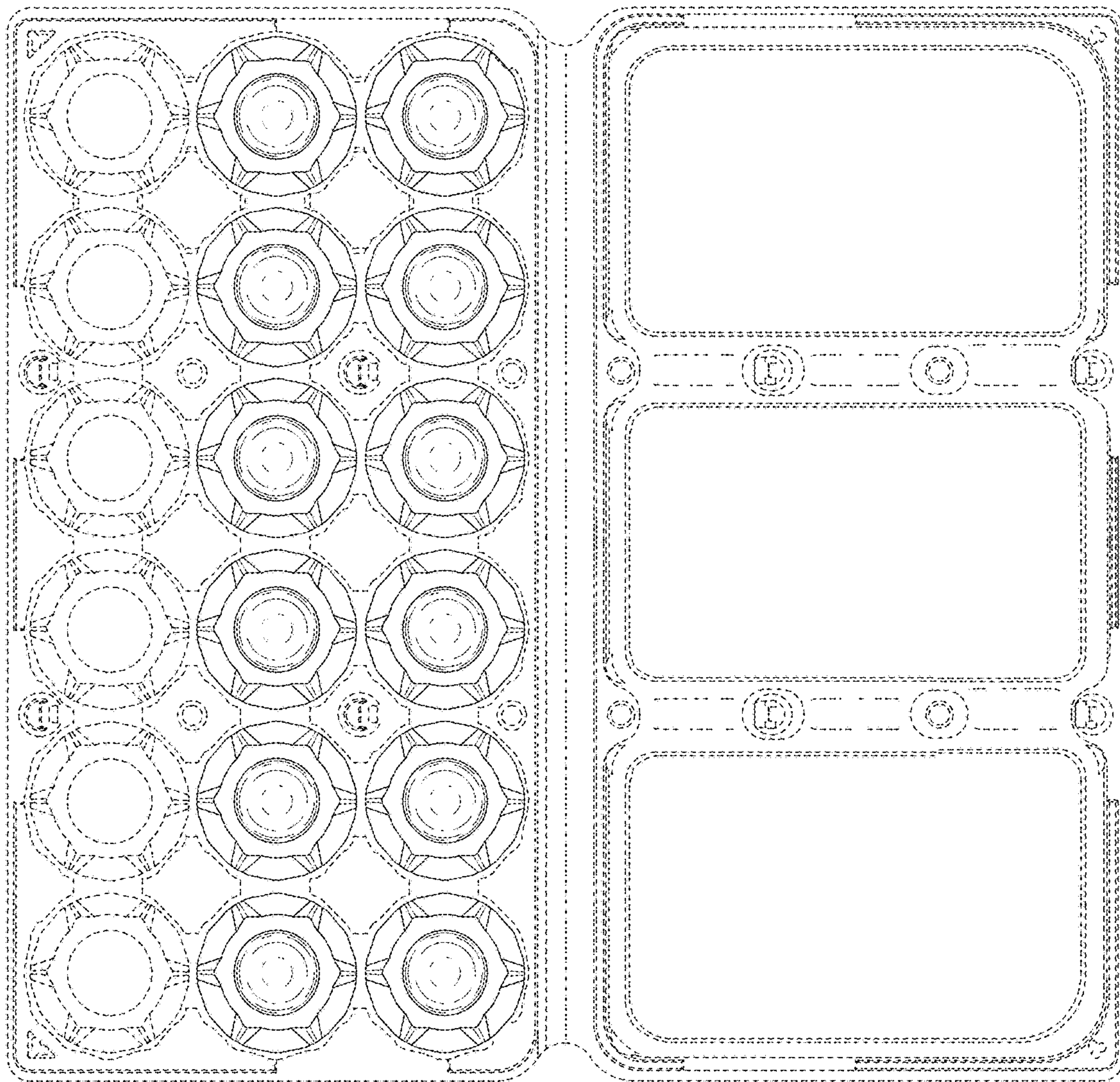


Fig. 7

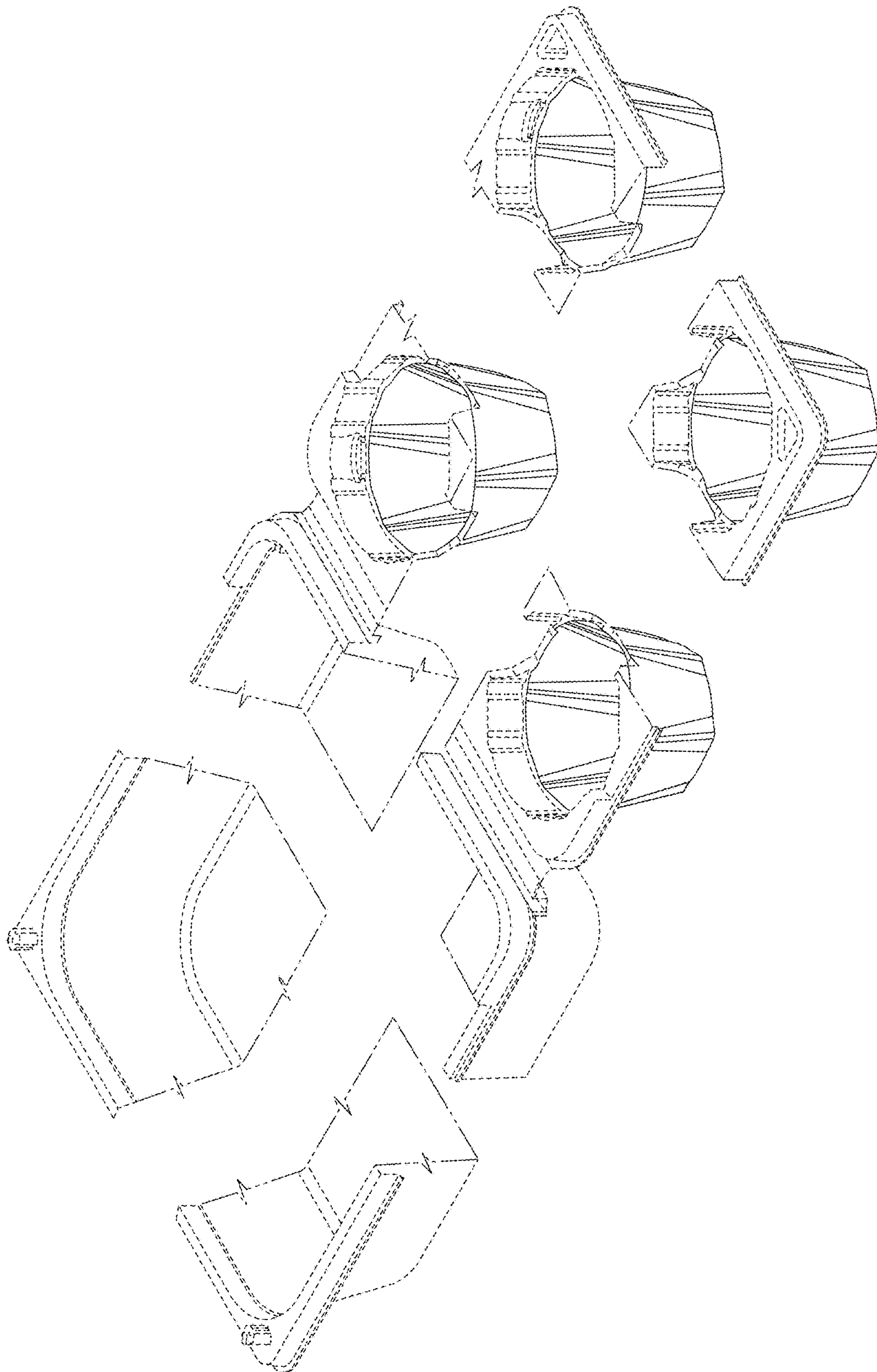


Fig. 8

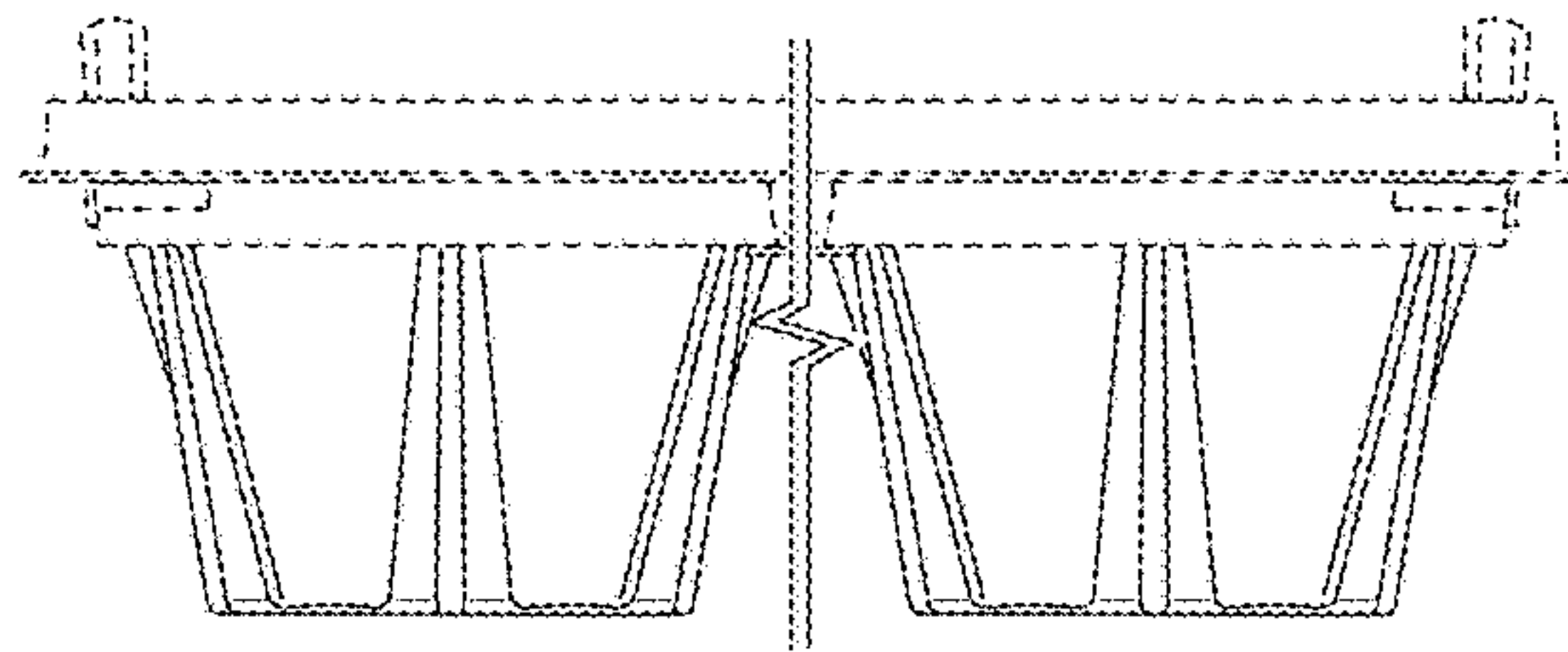


Fig. 9

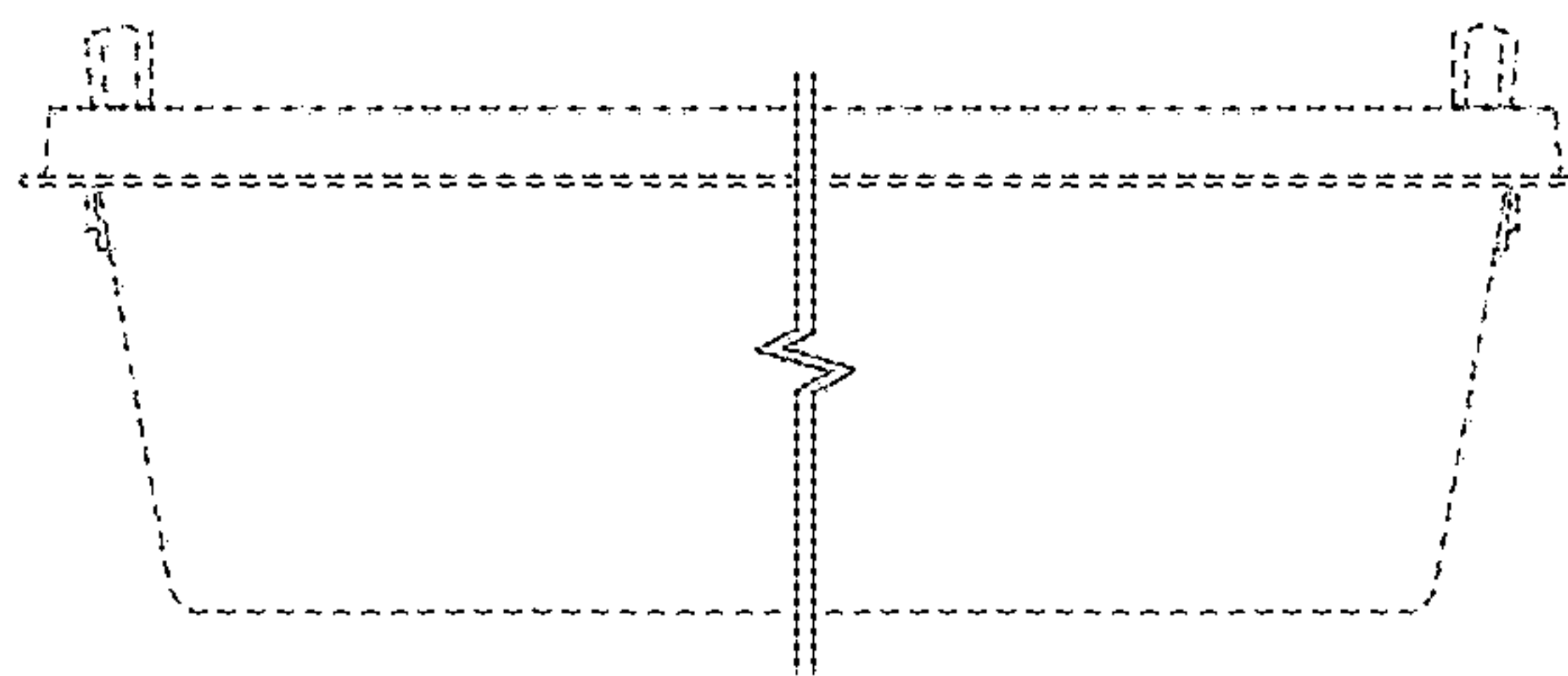


Fig. 10

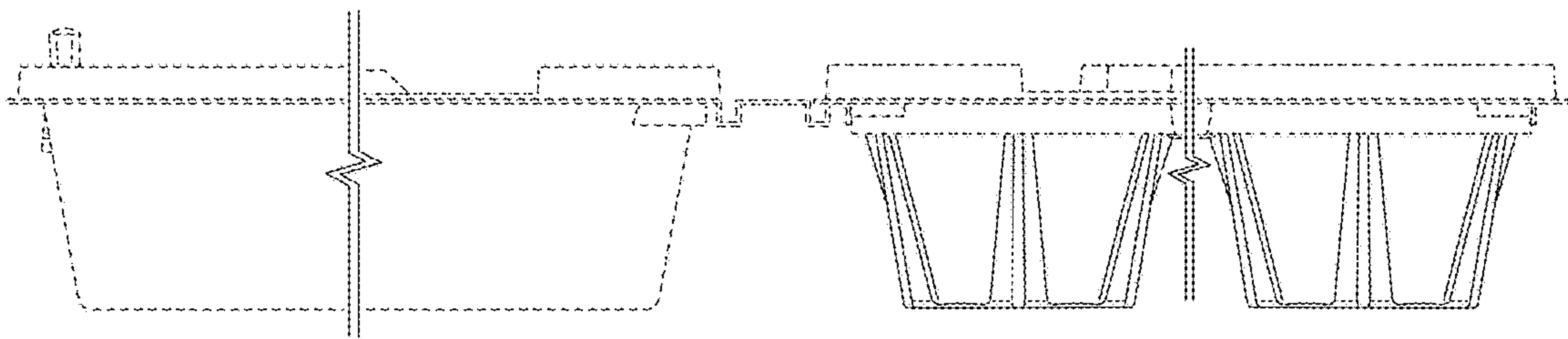


Fig. 11

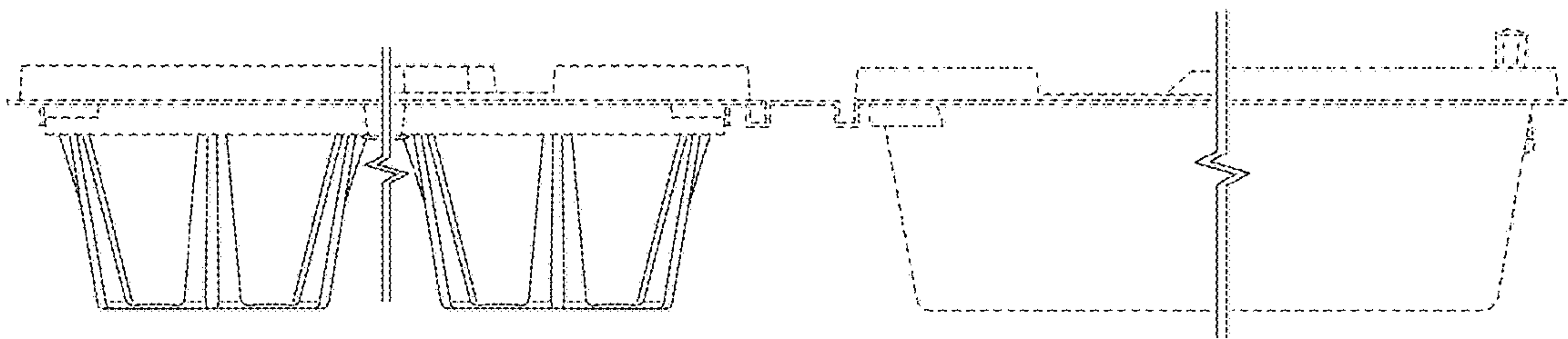


Fig. 12

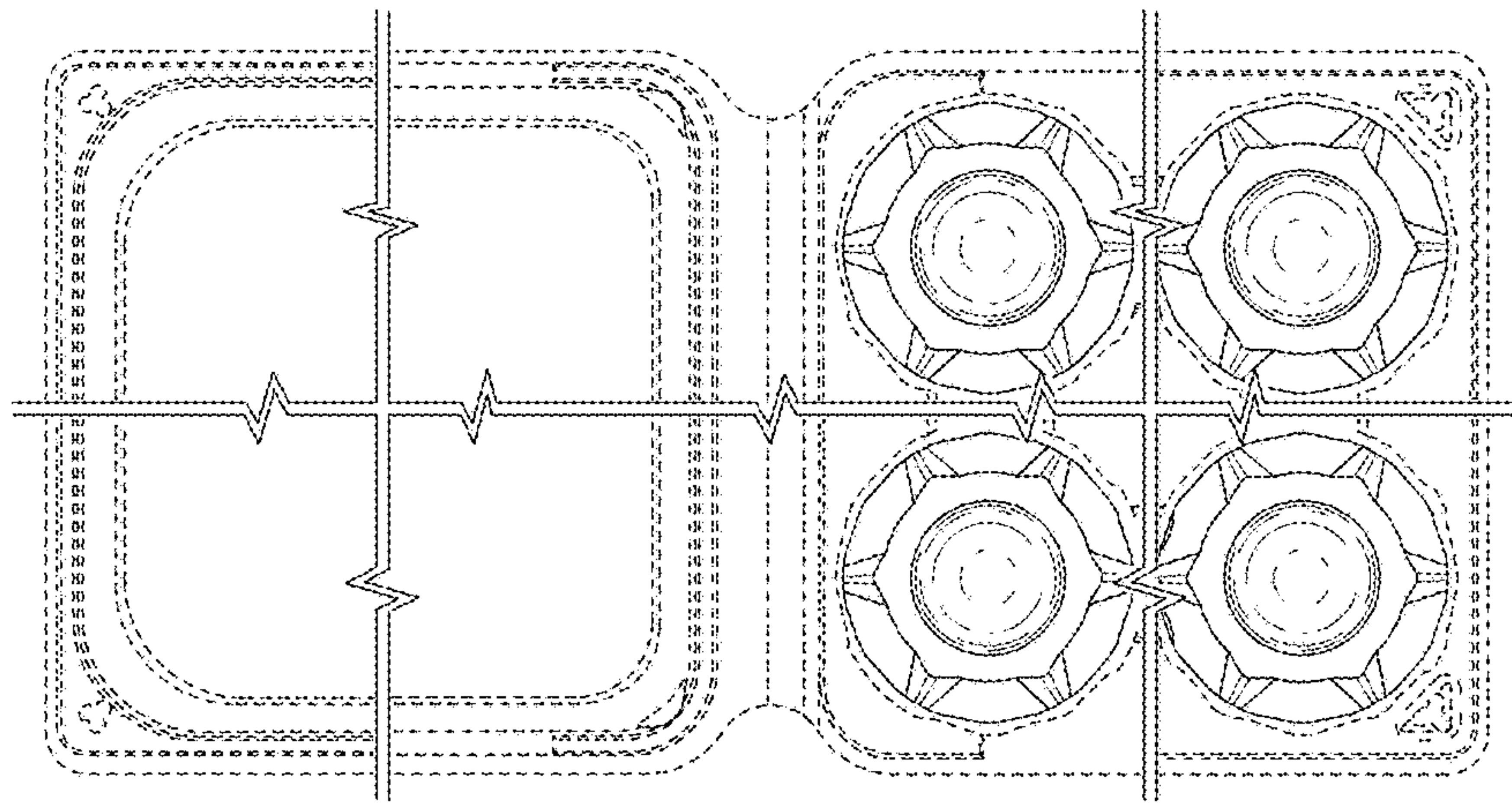


Fig. 13

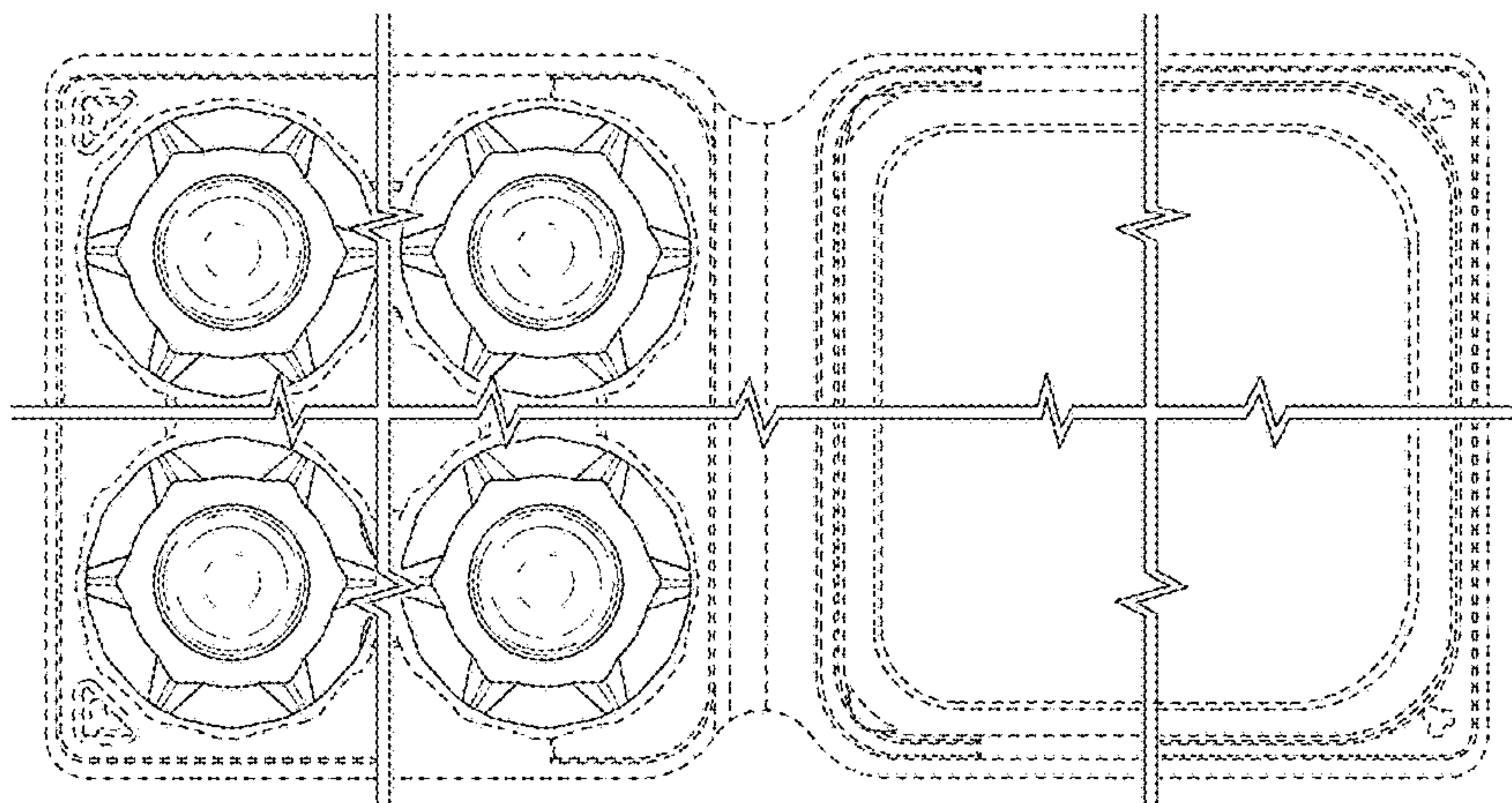


Fig. 14