



US00D853851S

(12) **United States Design Patent**
Veysiere

(10) **Patent No.:** **US D853,851 S**

(45) **Date of Patent:** **** Jul. 16, 2019**

(54) **BOTTLE**

(71) Applicant: **Marie Brizard Wine & Spirits, Paris**
(FR)

(72) Inventor: **Patrick Veysiere, Suresnes (FR)**

(73) Assignee: **MARIE BRIZARD WINE & SPIRITS (FR)**

(**) Term: **15 Years**

(21) Appl. No.: **29/632,698**

(22) Filed: **Jan. 9, 2018**

(51) **LOC (11) Cl.** **09-01**

(52) **U.S. Cl.**
USPC **D9/611; D9/652; D9/542; D9/575**

(58) **Field of Classification Search**
USPC D9/600–611, 652, 500–503, 516, 522,
D9/530, 537–546, 569–575; 206/457,
206/494, 459.5, 527, 540; 229/116.1;
215/381–384, 400; D7/514–516, 539,
D7/544, 571, 579, 604, 613, 619.2,
D7/628–630, 391–392.1; D3/270–271.3
CPC B65D 67/00; B65D 81/36; B65D 81/60;
B65D 81/368; B65D 2203/00; B65D
2203/02; B65D 5/42; B65D 5/4208;
B65D 77/00; A63H 33/16
See application file for complete search history.

(56) **References Cited**

U.S. PATENT DOCUMENTS

D290,342 S * 6/1987 Lyons D9/571
D351,339 S * 10/1994 Koytuk D9/611

D367,010 S * 2/1996 Moore D9/542
D379,765 S * 6/1997 Hencher D9/542
D394,211 S * 5/1998 Kuzma D9/542
D402,548 S * 12/1998 Tavenas D9/611
D552,695 S * 10/2007 Mayers D9/542
D653,961 S * 2/2012 Johnston D9/574
D695,129 S * 12/2013 Moskvin D9/611
D704,563 S * 5/2014 Gonzalez Rodriguez D9/545
D748,487 S * 2/2016 Fitts D9/575
D815,543 S * 4/2018 Mazzer D9/611

* cited by examiner

Primary Examiner — Sandra L Morris

(74) *Attorney, Agent, or Firm* — Gloria Tsui-Yip, Esq.;
Gottlieb, Rackman & Reisman, P.C.

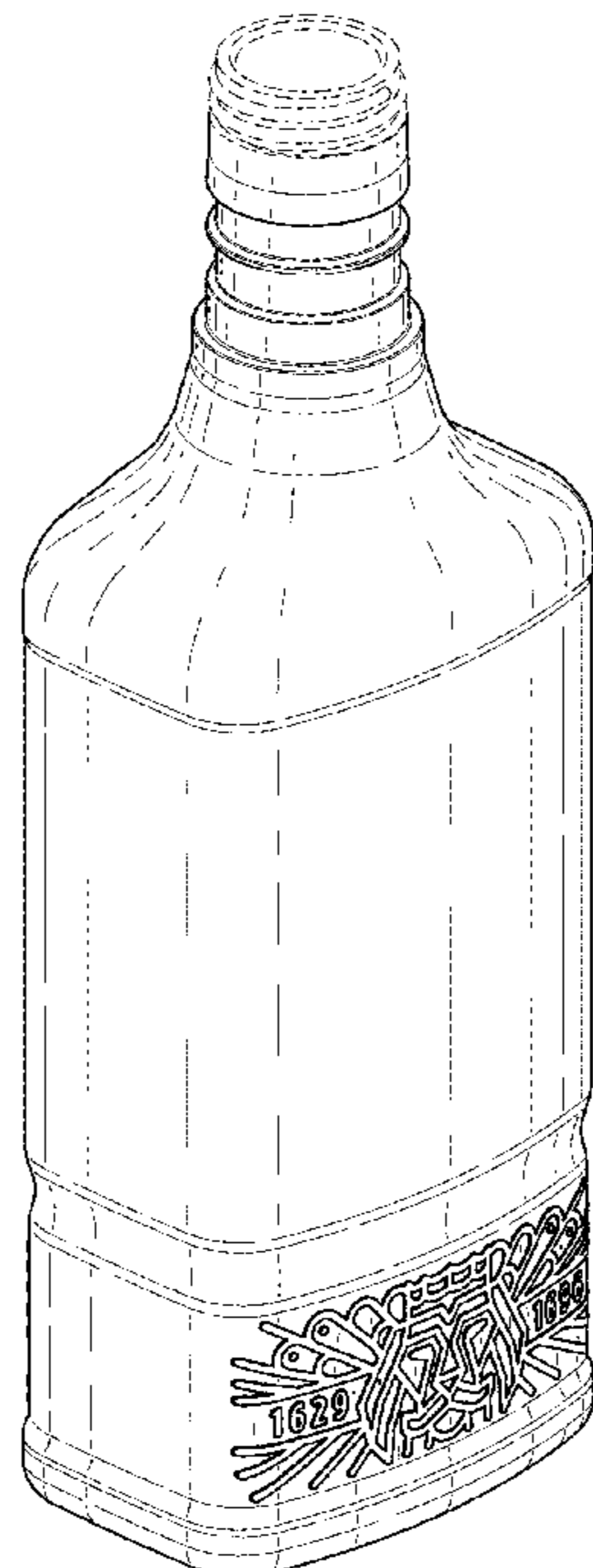
(57) **CLAIM**

The ornamental design for a bottle, as shown and described.

DESCRIPTION

FIG. 1 is a front elevational view of my new design;
FIG. 2 is a rear elevational view thereof;
FIG. 3 is a left side view thereof;
FIG. 4 is a right side view thereof;
FIG. 5 is a top plan view thereof;
FIG. 6 is a bottom plan view thereof;
FIG. 7 is a perspective view thereof; and,
FIG. 8 is another perspective view thereof.
The broken lines illustrate portions of the bottle that form no part of the claimed design.

1 Claim, 5 Drawing Sheets



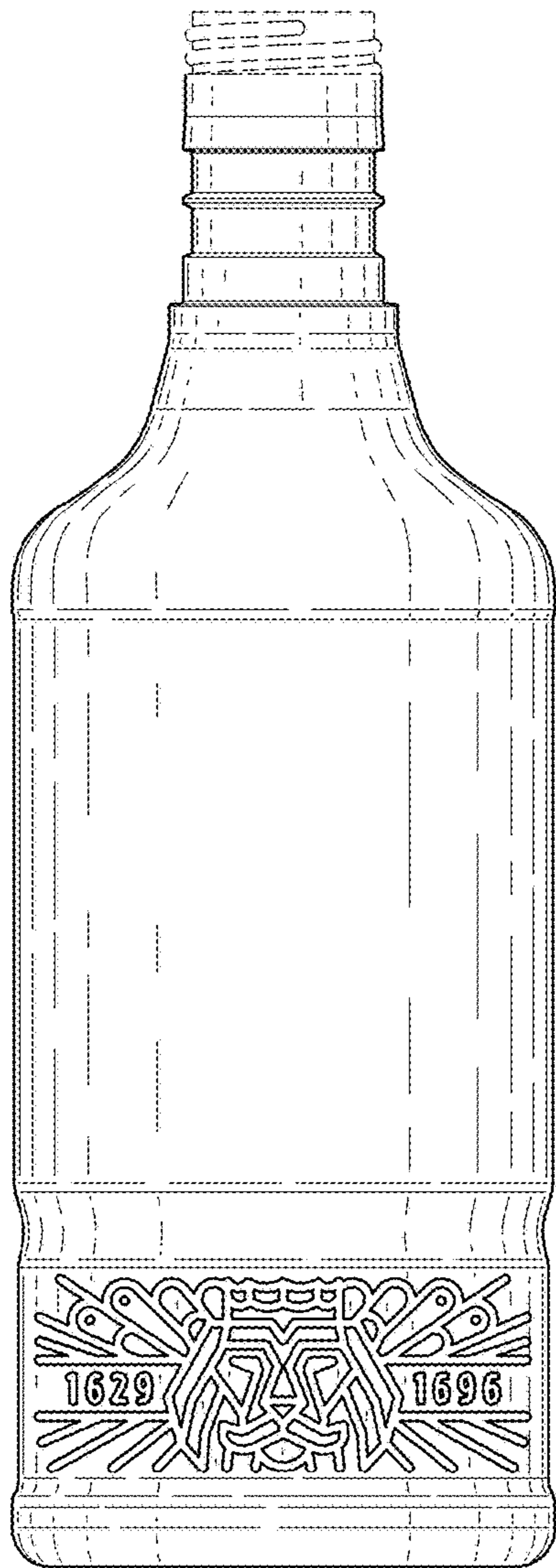


Fig.1

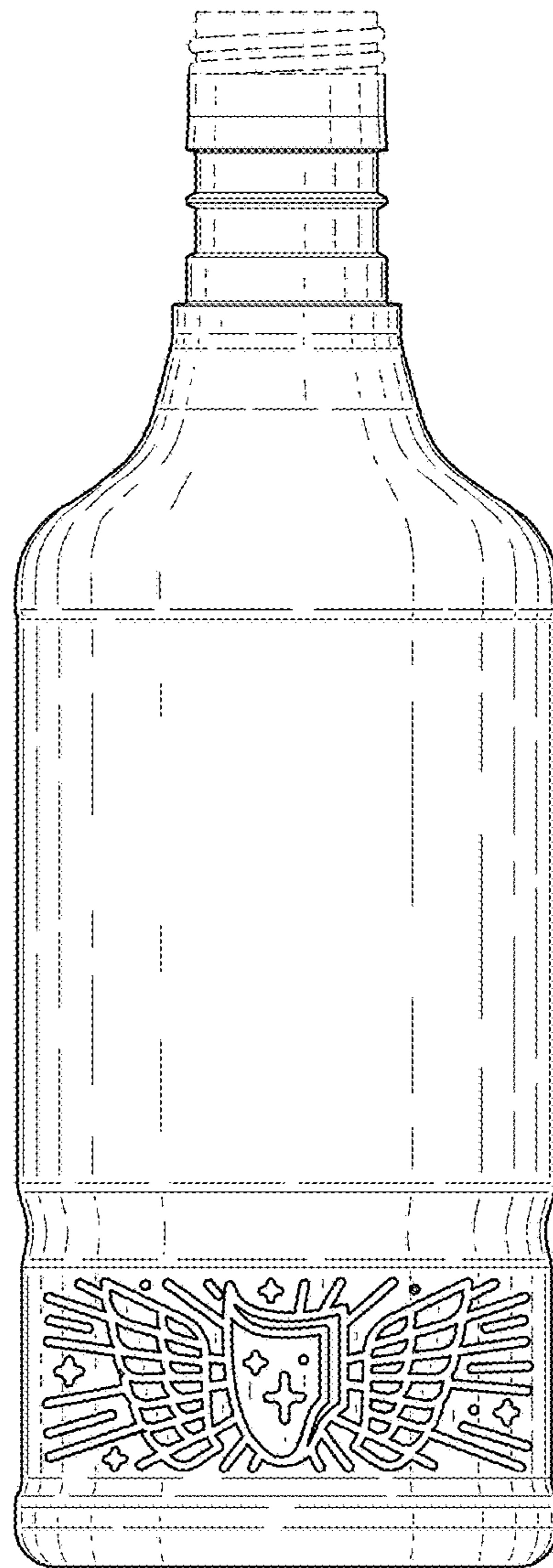


Fig.2

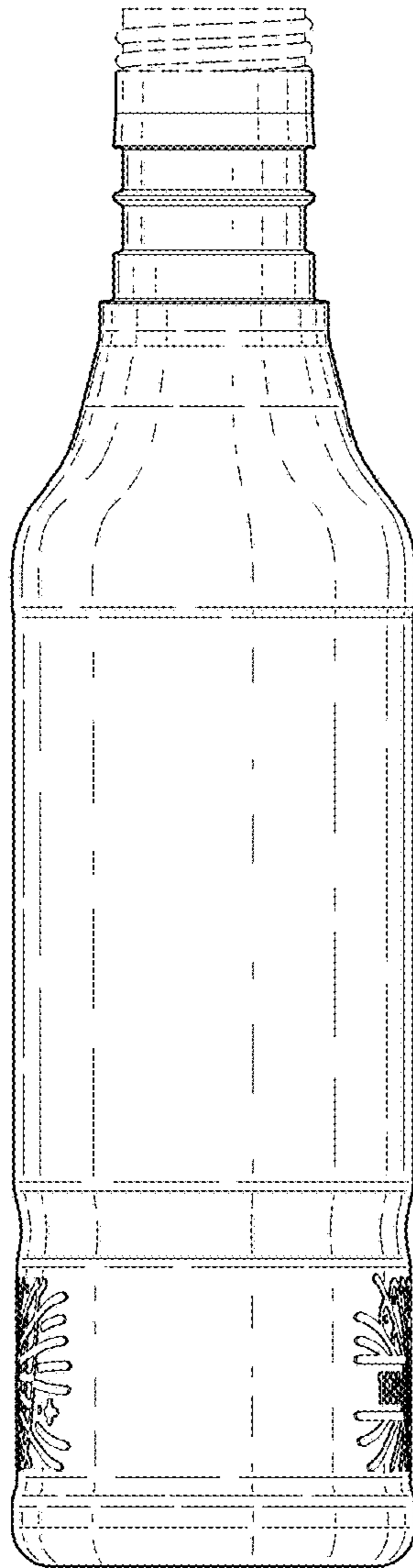


Fig.3

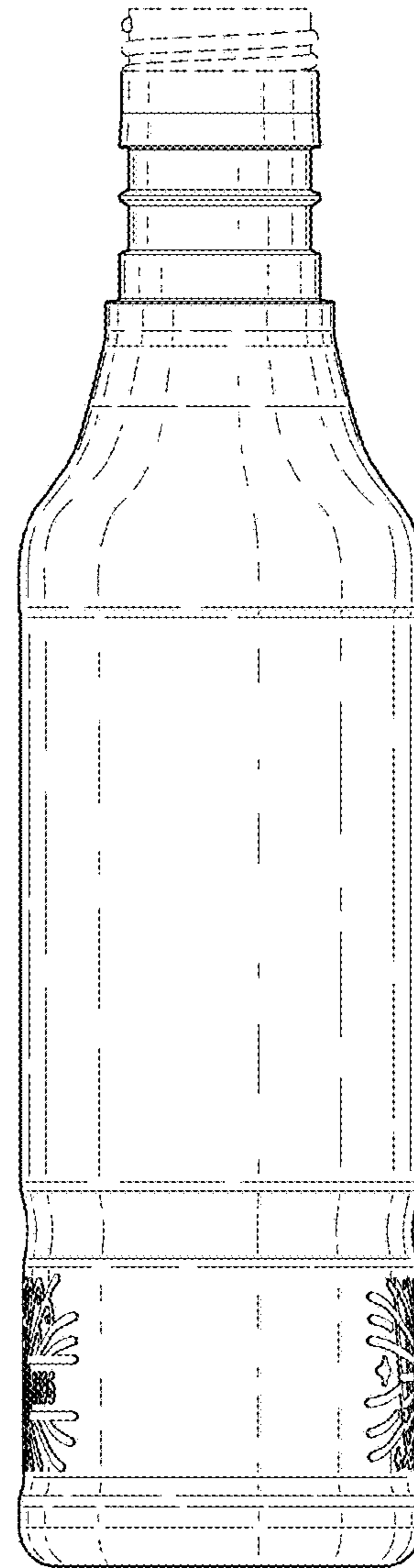


Fig.4

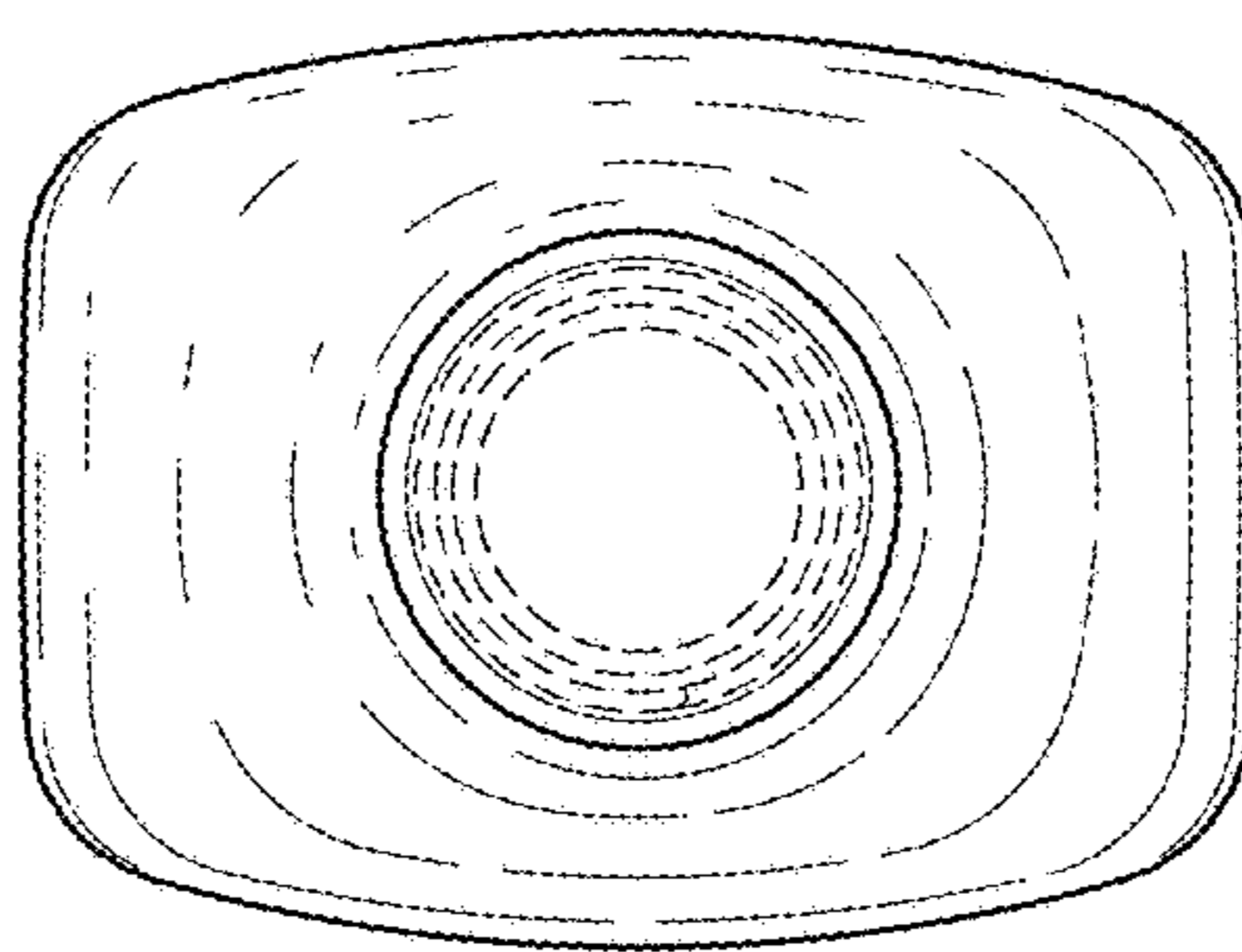


Fig.5

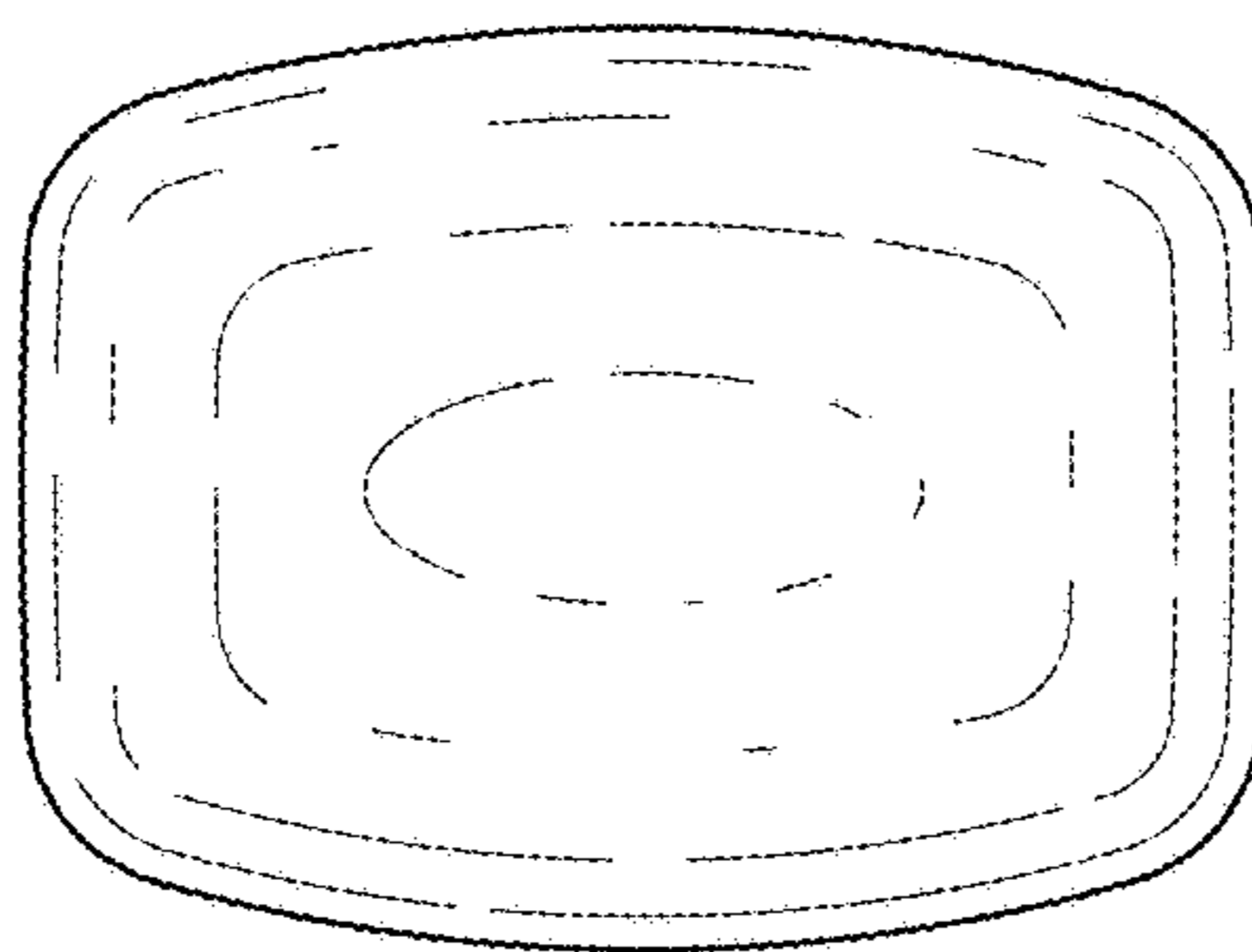


Fig.6

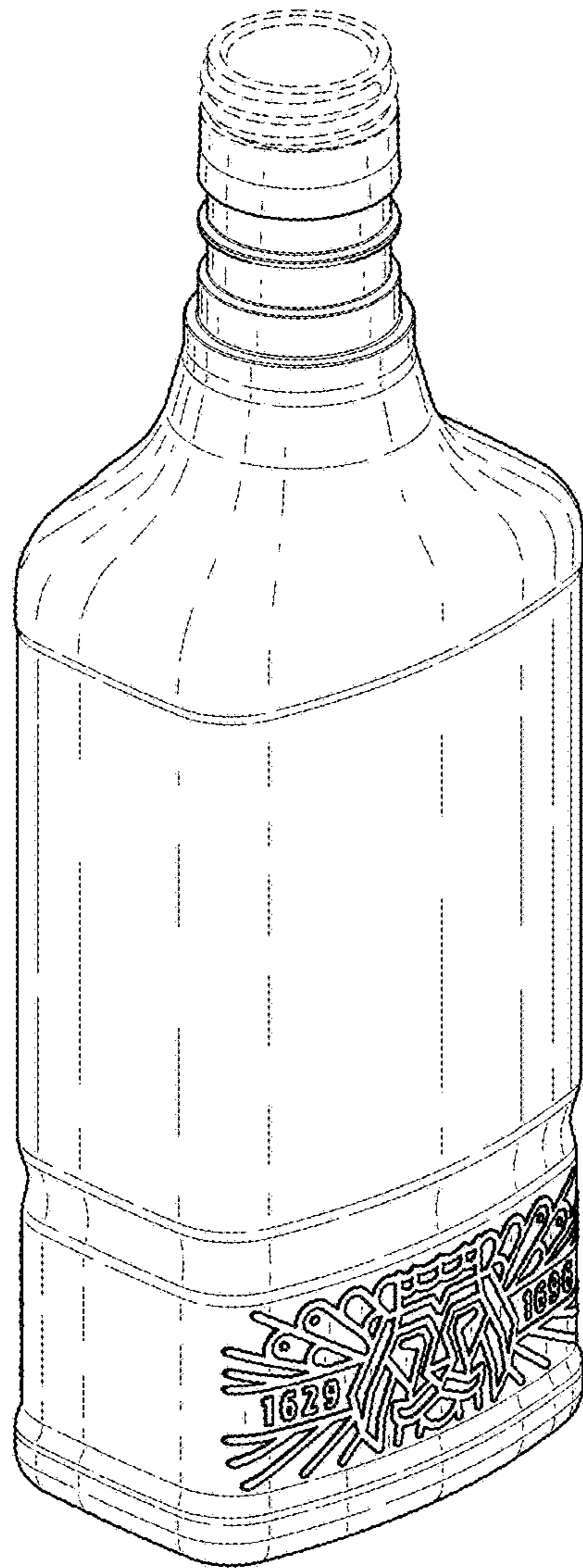


Fig.7

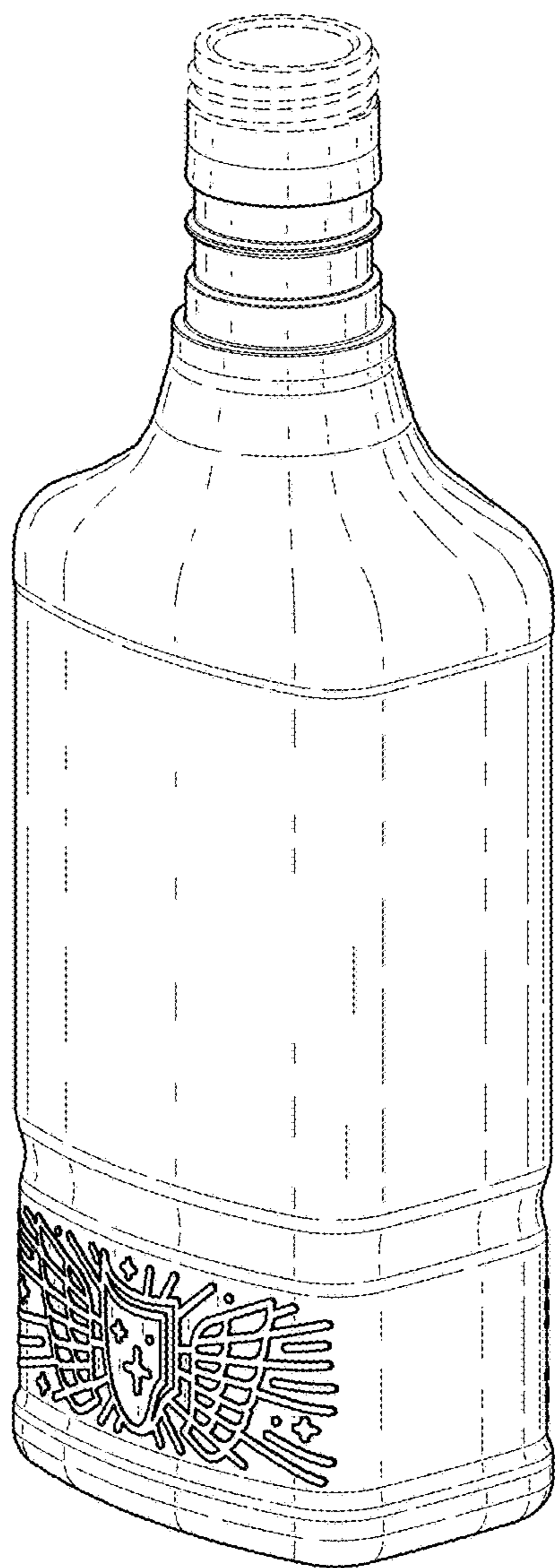


Fig.8