



US00D853850S

(12) **United States Design Patent**  
**Veysiere**

(10) **Patent No.:** **US D853,850 S**

(45) **Date of Patent:** **\*\* Jul. 16, 2019**

(54) **BOTTLE**

(71) Applicant: **Marie Brizard Wine & Spirits**, Paris (FR)

(72) Inventor: **Patrick Veysiere**, Suresnes (FR)

(73) Assignee: **MARIE BRIZARD WINE & SPIRITS** (FR)

(\*\*) Term: **15 Years**

(21) Appl. No.: **29/632,692**

(22) Filed: **Jan. 9, 2018**

(30) **Foreign Application Priority Data**

Sep. 25, 2017 (FR) ..... 2017-4331

(51) **LOC (11) Cl.** ..... **09-01**

(52) **U.S. Cl.**  
USPC ..... **D9/611; D9/652; D9/522**

(58) **Field of Classification Search**

USPC ..... D9/600-611, 652, 500-503, 516, 522,  
D9/530, 537-546, 569-575; 206/457,  
206/494, 459.5, 527, 540; 229/116.1;  
215/381-384, 400; D7/514-516, 539,  
D7/544, 571, 579, 604, 613, 619.2,  
D7/628-630, 391-392.1; D3/270-271.3  
CPC ..... B65D 67/00; B65D 81/36; B65D 81/60;  
B65D 81/368; B65D 2203/00; B65D  
2203/02; B65D 5/42; B65D 5/4208;  
B65D 77/00; A63H 33/16

See application file for complete search history.

(56) **References Cited**

U.S. PATENT DOCUMENTS

D92,491 S *	6/1934	Ratner .....	D9/522
D351,339 S *	10/1994	Koytuk .....	D9/611
D402,548 S *	12/1998	Tavenas .....	D9/611
D515,929 S *	2/2006	Steih .....	D9/522
D515,930 S *	2/2006	Steih .....	D9/522
D539,150 S *	3/2007	Leoncavallo .....	D9/522
D562,138 S *	2/2008	Warner .....	D9/522
D645,358 S *	9/2011	de Monclin .....	D9/522
D695,129 S *	12/2013	Moskvin .....	D9/522
D758,868 S *	6/2016	Bretschneider .....	D9/522
D815,543 S *	4/2018	Mazzer .....	D9/611

\* cited by examiner

*Primary Examiner* — Sandra L Morris

(74) *Attorney, Agent, or Firm* — Gloria Tsui Yip, Esq.;  
Gottlieb, Rackman & Reisman, P.C.

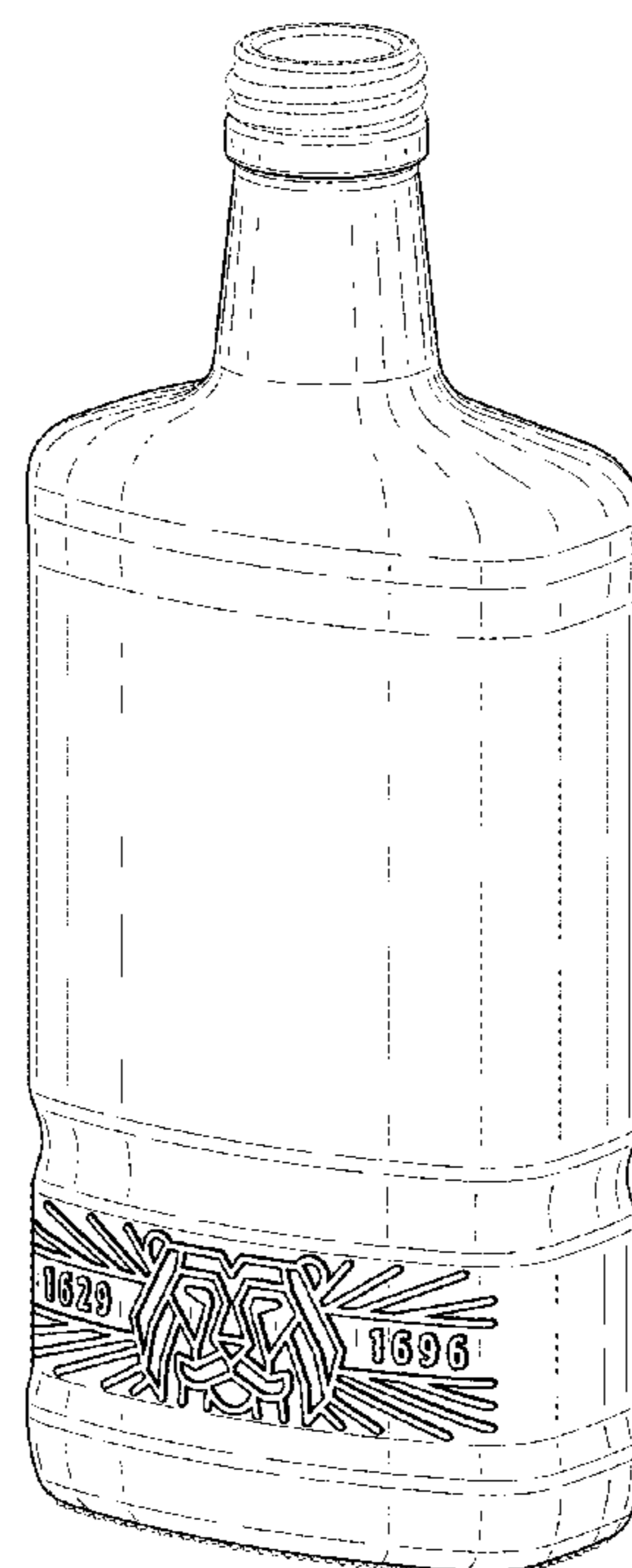
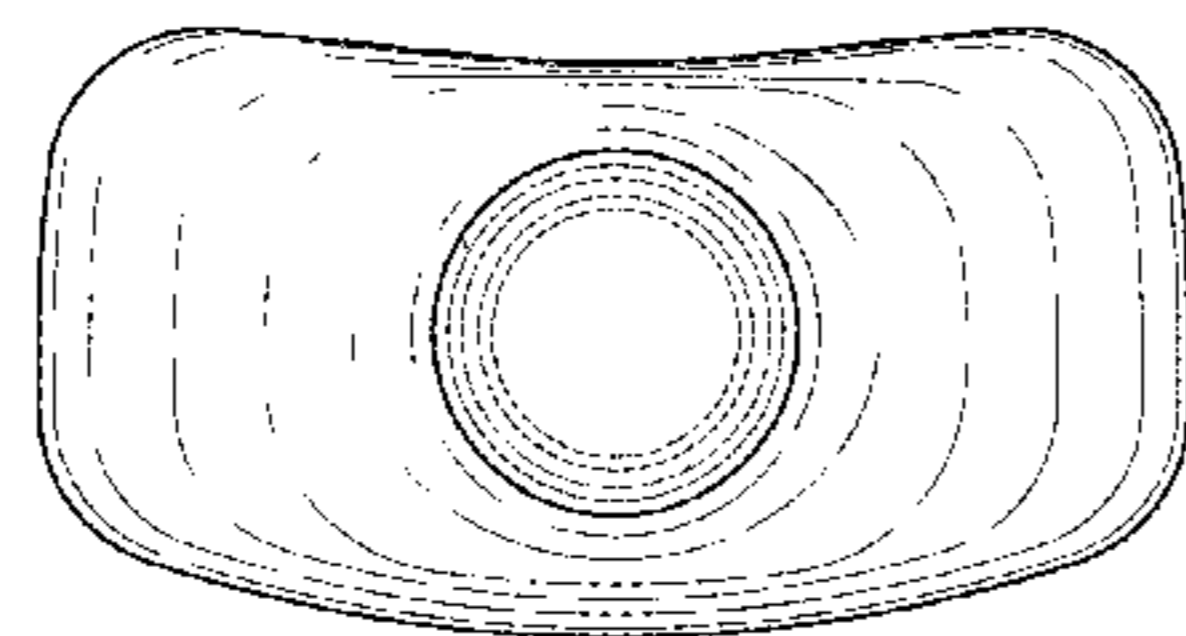
(57) **CLAIM**

The ornamental design for a bottle, as shown and described.

**DESCRIPTION**

FIG. 1 is a front elevational view of my new design;  
FIG. 2 is a rear elevational view thereof;  
FIG. 3 is a left side view thereof;  
FIG. 4 is a right side view thereof;  
FIG. 5 is a top plan view thereof;  
FIG. 6 is a bottom plan view thereof;  
FIG. 7 is a perspective view thereof; and,  
FIG. 8 is another perspective view thereof.  
The broken lines illustrate portions of the bottle that form no part of the claimed design.

**1 Claim, 6 Drawing Sheets**



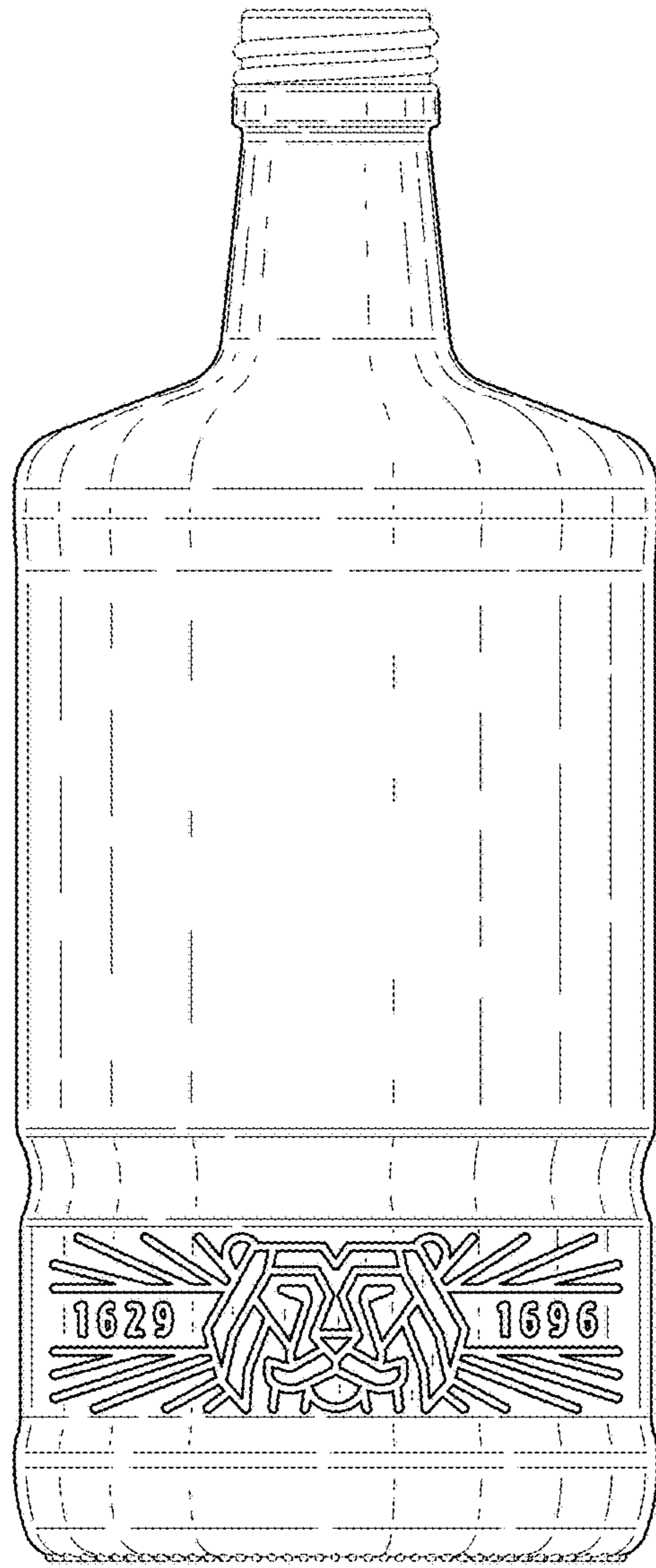


Fig.1

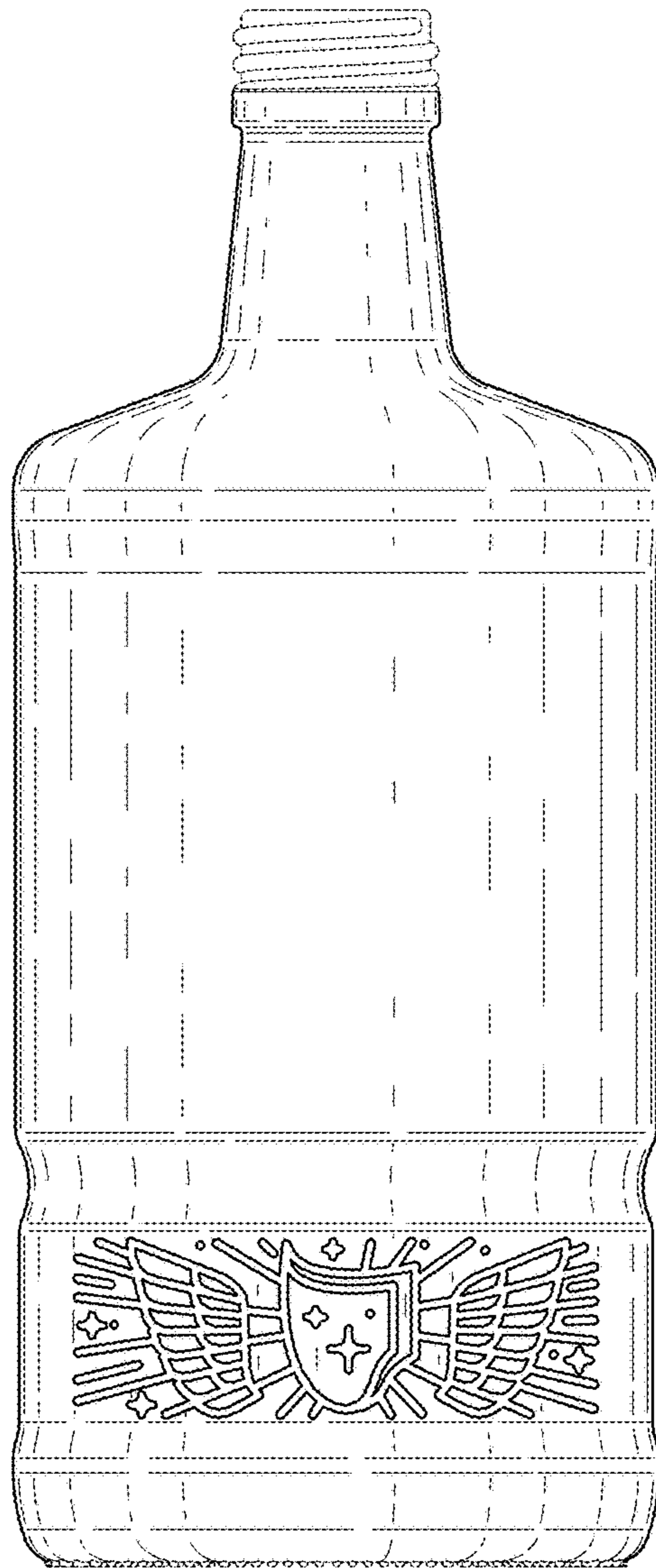


Fig.2

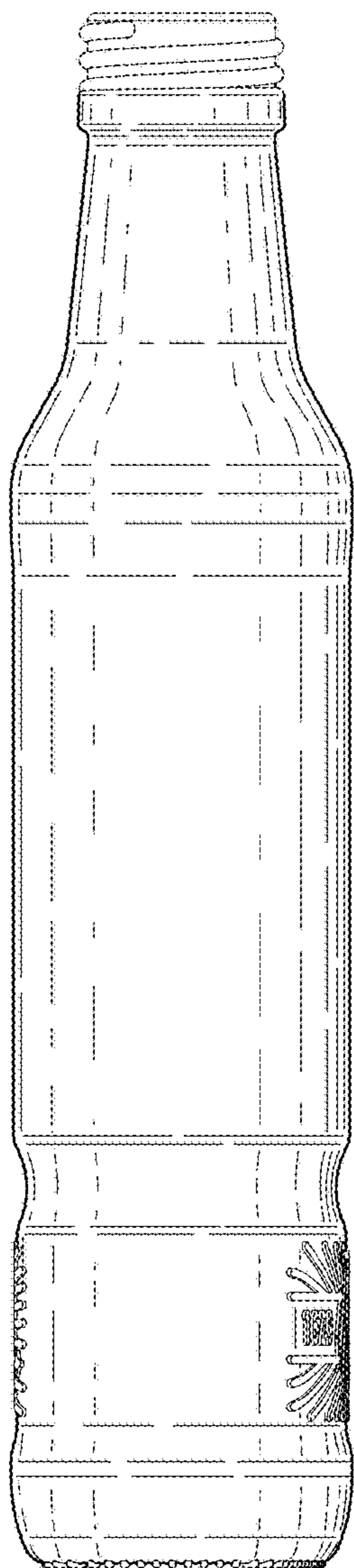


Fig.3

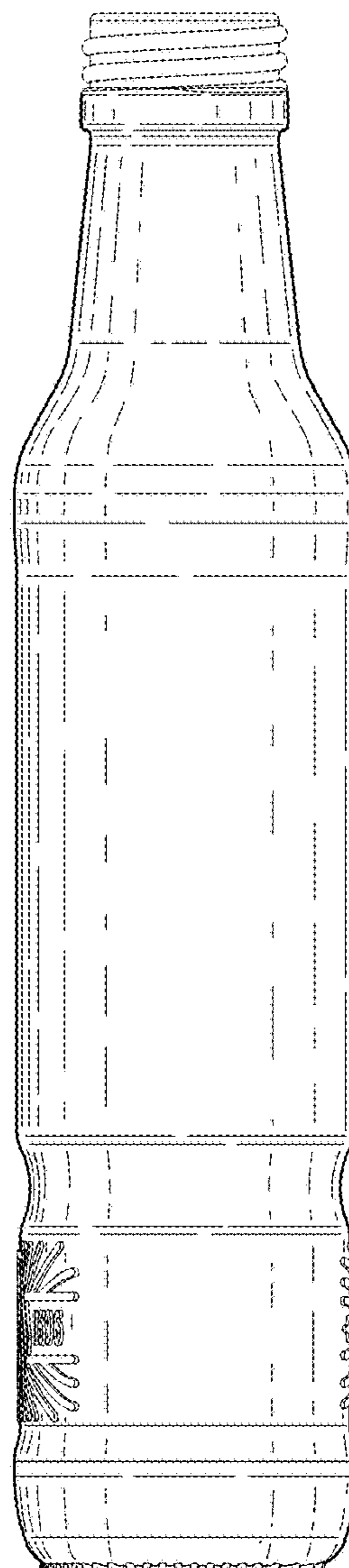


Fig.4

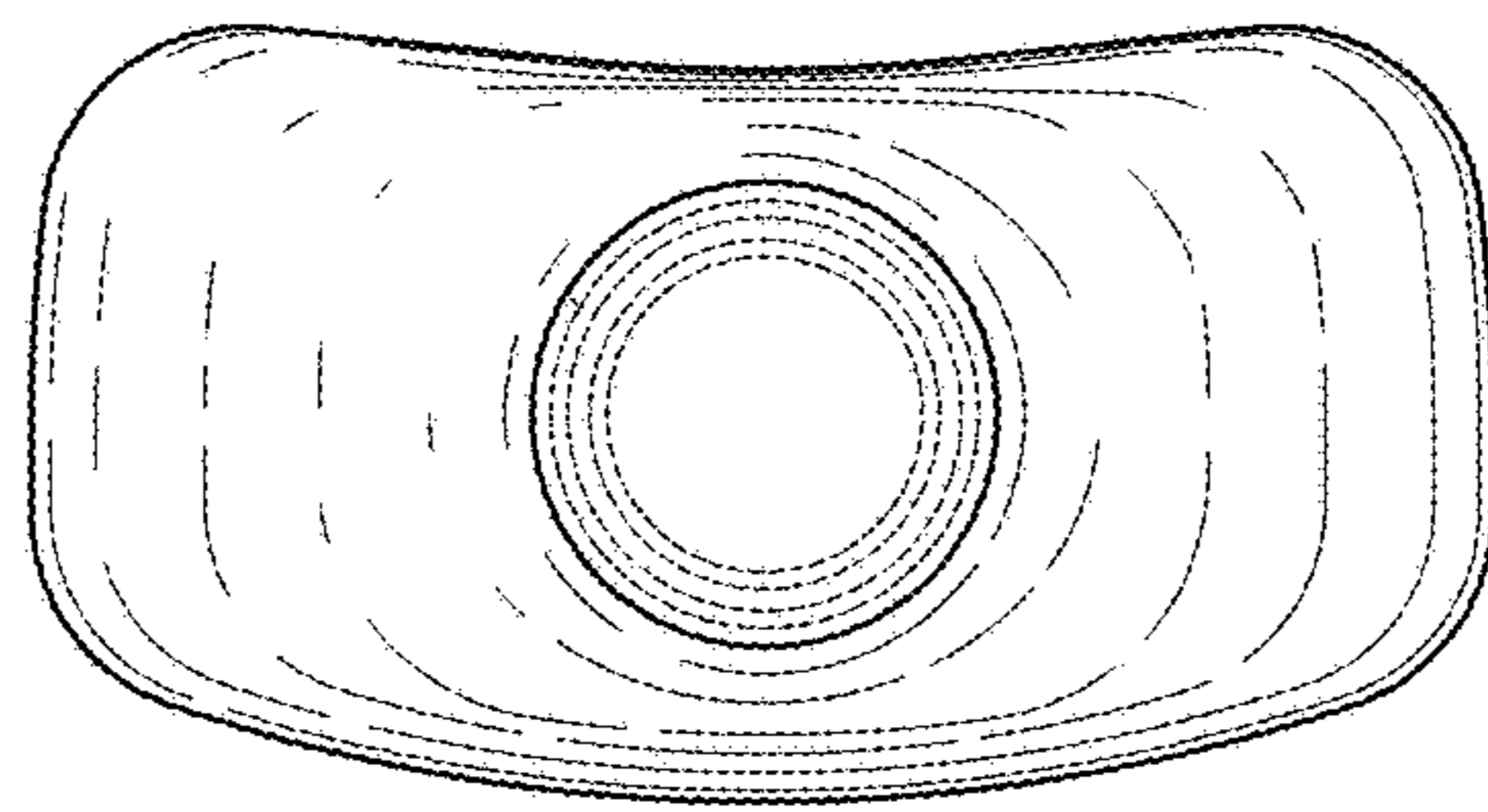


Fig.5

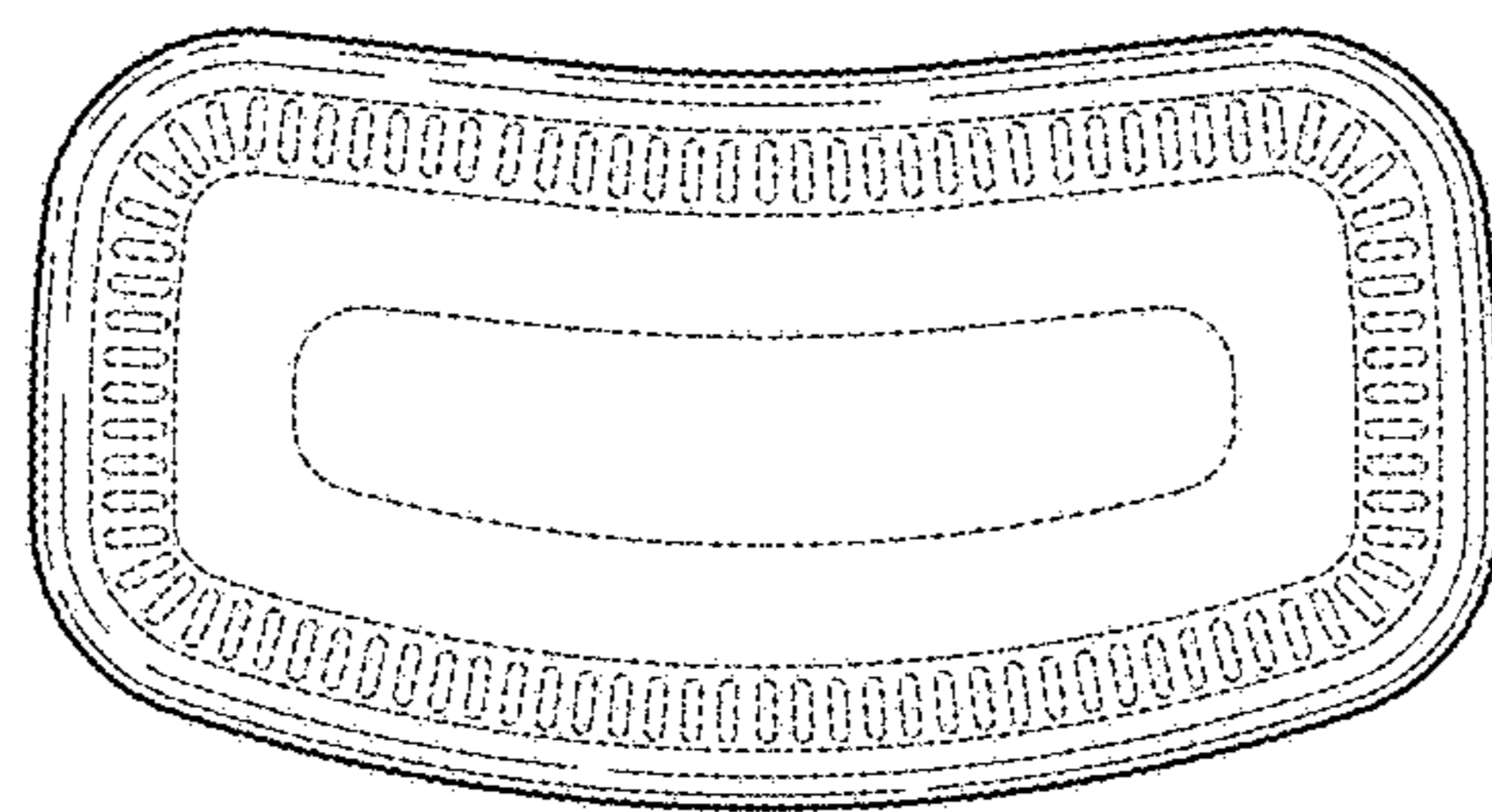


Fig.6

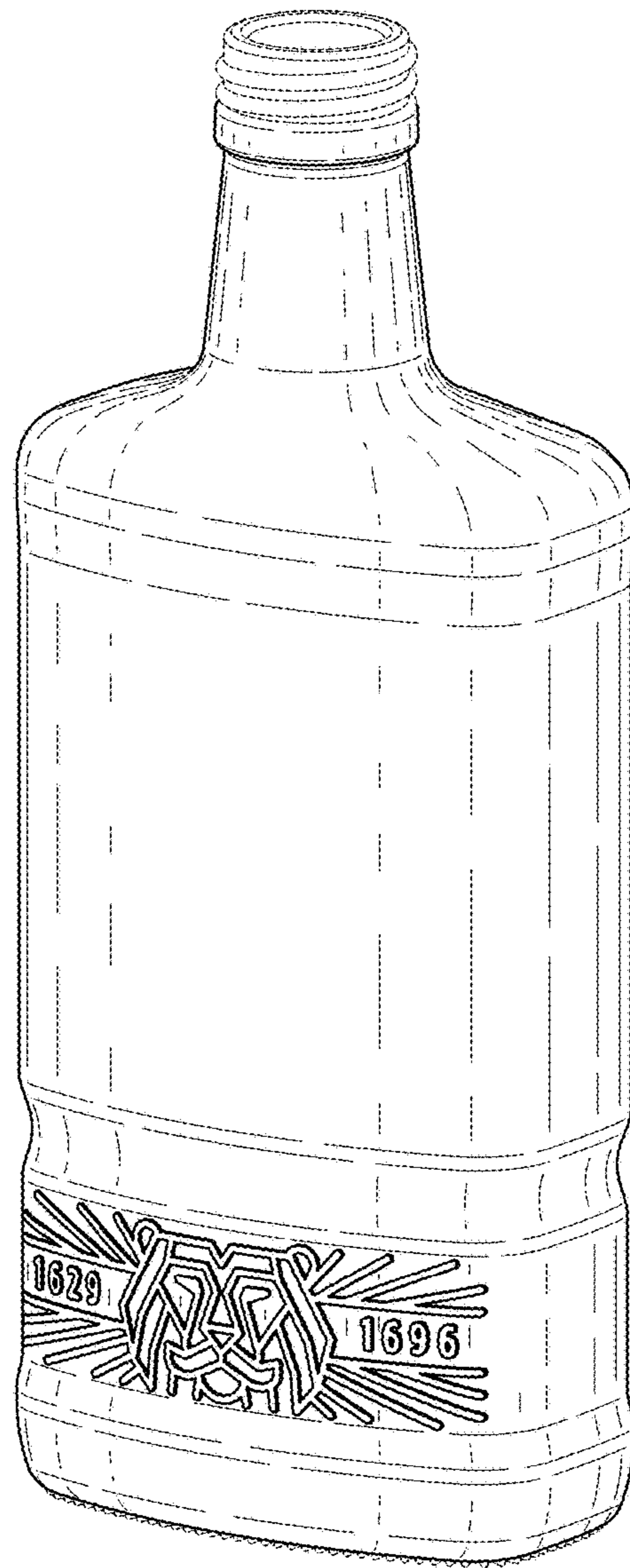


Fig.7

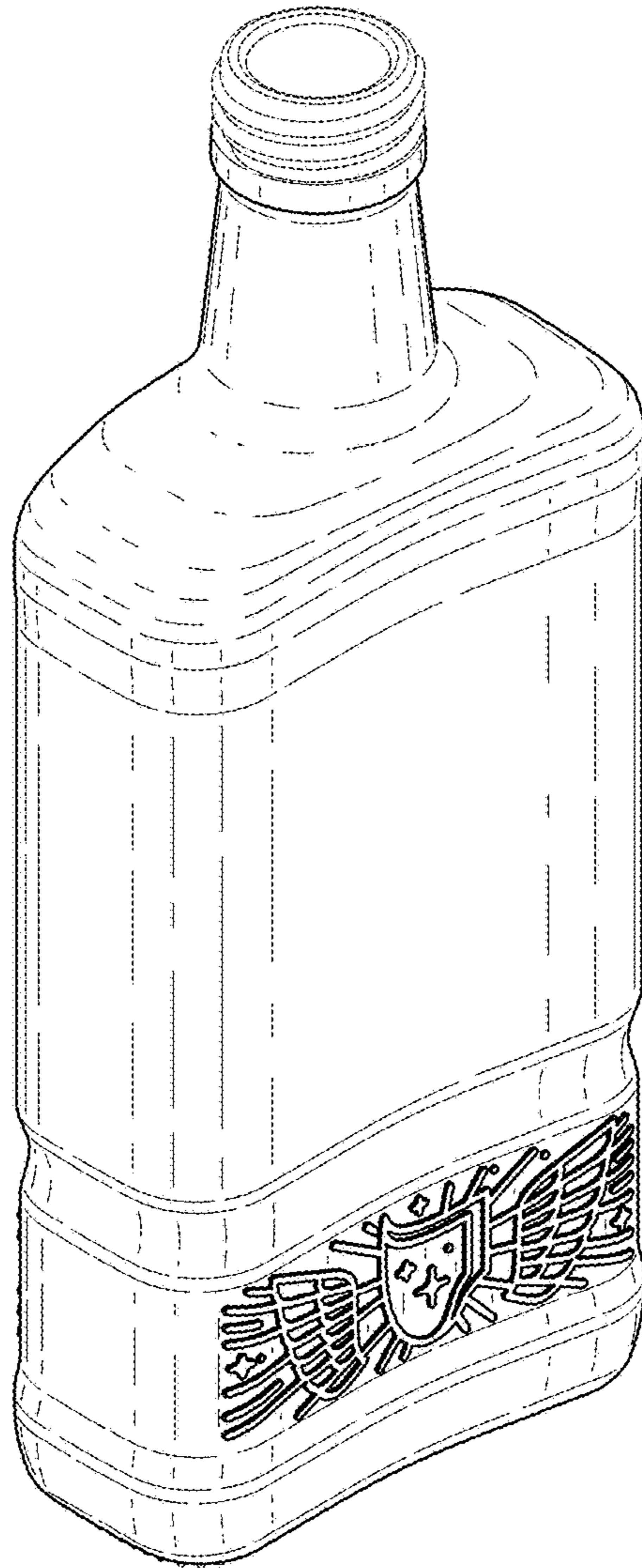


Fig.8