



US00D853848S

(12) **United States Design Patent** (10) **Patent No.:** **US D853,848 S**  
**Amano** (45) **Date of Patent:** **\*\* Jul. 16, 2019**

(54) **TRANSPARENT PACKAGING FOR COSMETIC PRODUCTS**

B65D 11/04; B65D 23/00; B65D 23/102;  
B65D 1/00; B65D 1/0223

See application file for complete search history.

(71) Applicant: **FEARLESS INC.**, Tokyo (JP)

(56) **References Cited**

(72) Inventor: **Yoshihiro Amano**, Tokyo (JP)

U.S. PATENT DOCUMENTS

(\*\*) Term: **15 Years**

D306,257 S *	2/1990	Uhmeyer .....	D9/516
D744,845 S *	12/2015	O'Donahue .....	D9/542
D749,959 S *	2/2016	Veillet .....	D9/544
D760,961 S *	7/2016	Turner .....	D28/79
D761,114 S *	7/2016	Ericson .....	D9/544
D770,898 S *	11/2016	Louis .....	D9/503
D775,958 S *	1/2017	Louis .....	D9/503

(21) Appl. No.: **35/503,504**

(22) Filed: **Apr. 7, 2017**

\* cited by examiner

(80) **Hague Agreement Data**

Int. Filing Date: **Apr. 7, 2017**

Int. Reg. No.: **DM/097049**

Int. Reg. Date: **Apr. 7, 2017**

Int. Reg. Pub. Date: **Aug. 11, 2017**

*Primary Examiner* — Melanie H Tung

*Assistant Examiner* — Bao-Yen T Nguyen

(51) **LOC (11) Cl.** ..... **09-01**

(57) **CLAIM**

The ornamental design for a transparent packaging for cosmetic products, as shown and described.

(52) **U.S. Cl.**

USPC ..... **D9/517**

**DESCRIPTION**

(58) **Field of Classification Search**

USPC ..... D9/500–504, 682, 688, 689, 690, 691,  
D9/692, 516, 529, 549, 551, 559, 517,  
D9/519, 521, 537–546; D28/76, 77, 82,  
D28/91, 91.1

CPC .... A45D 33/00; A45D 33/003; A45D 33/006;  
A45D 33/02; A45D 33/025; A45D 33/18;  
A45D 33/22; A45D 34/00; A45D  
2034/007; A45D 34/02; A45D 40/40;  
A45D 40/0068; A45D 40/0075; A45D  
2040/12; A45D 2200/05; A45D 2200/051;  
A45D 2200/052; A45D 2200/053; B65D  
39/00; B65D 13/02; B65D 2251/06;

1. Packages for cosmetic products

**1.1** : Perspective

**1.2** : Perspective

**1.3** : Front

**1.4** : Back

**1.5** : Left

**1.6** : Right

**1.7** : Top

**1.8** : Bottom

The article of the design is transparent packaging for cosmetic products.

**1 Claim, 8 Drawing Sheets**

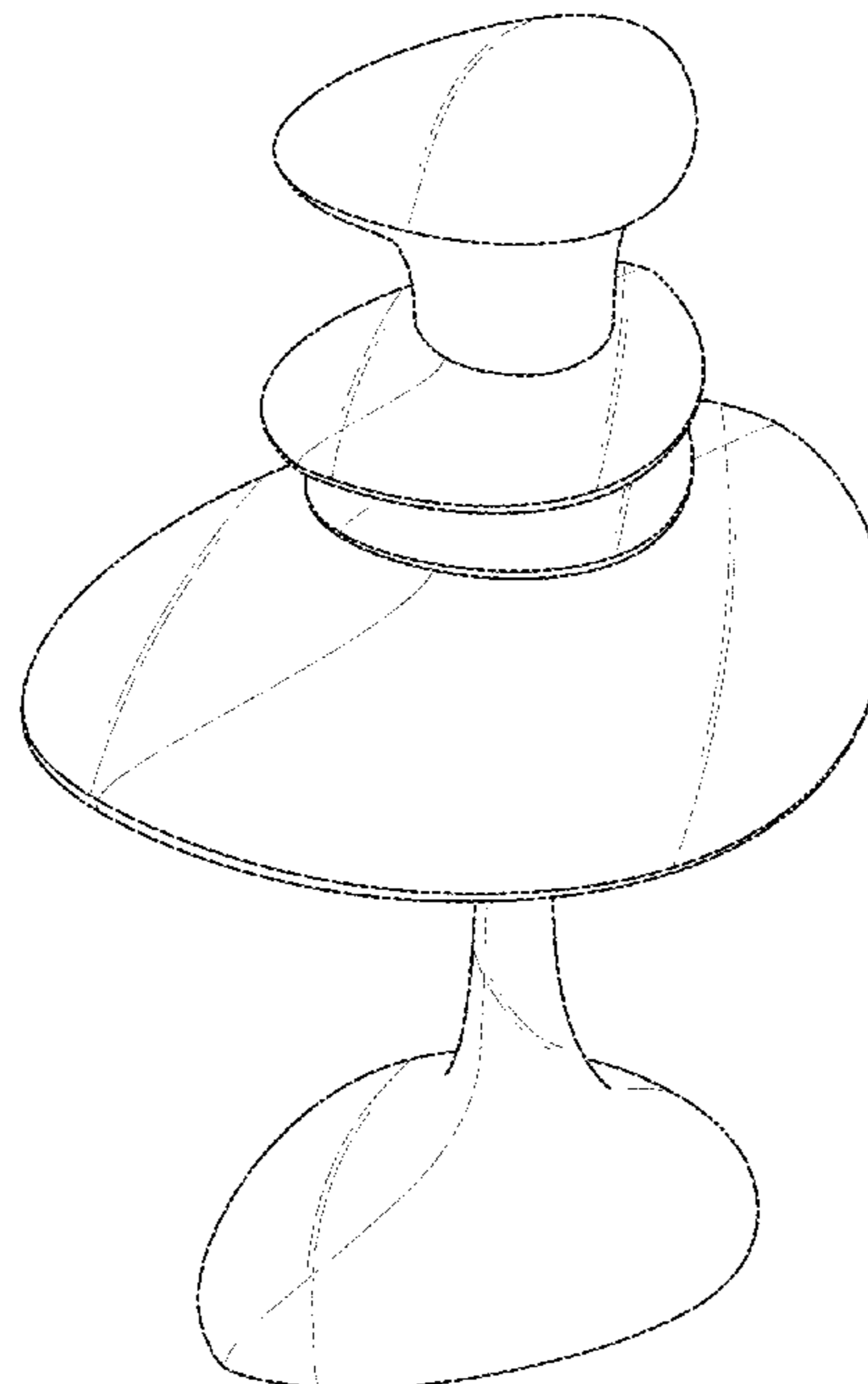


Fig. 1.1

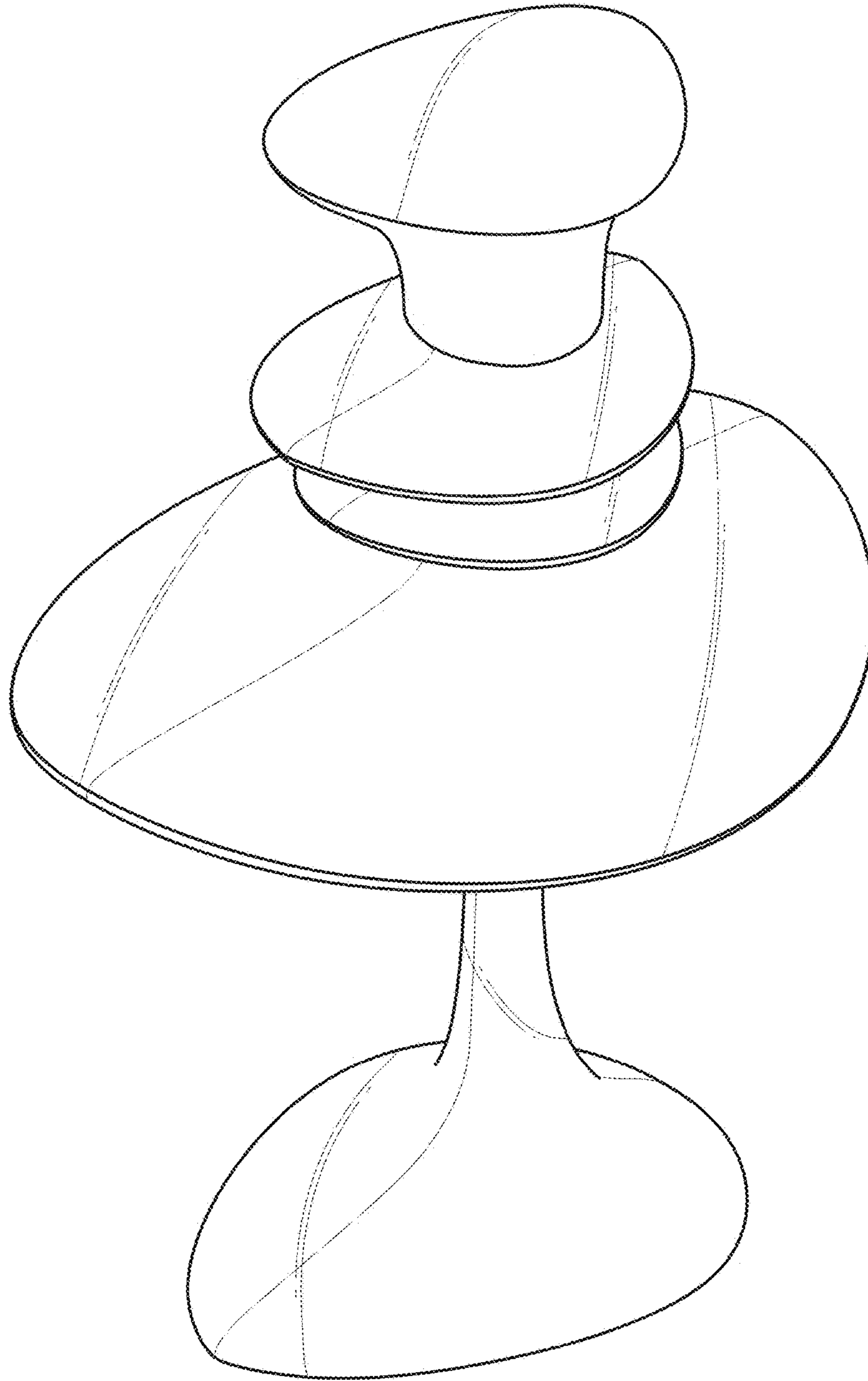


Fig. 1.2

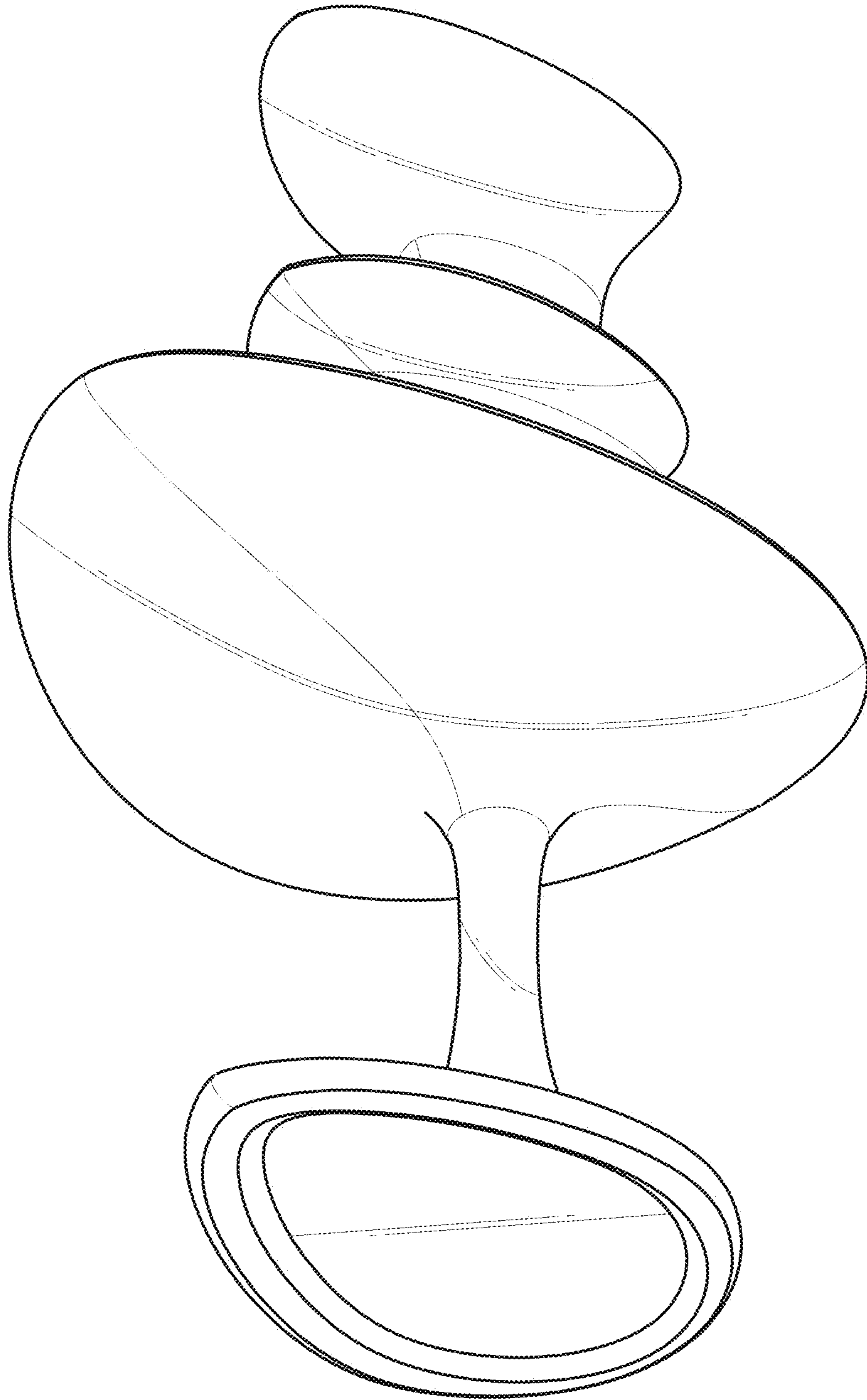


Fig. 1.3

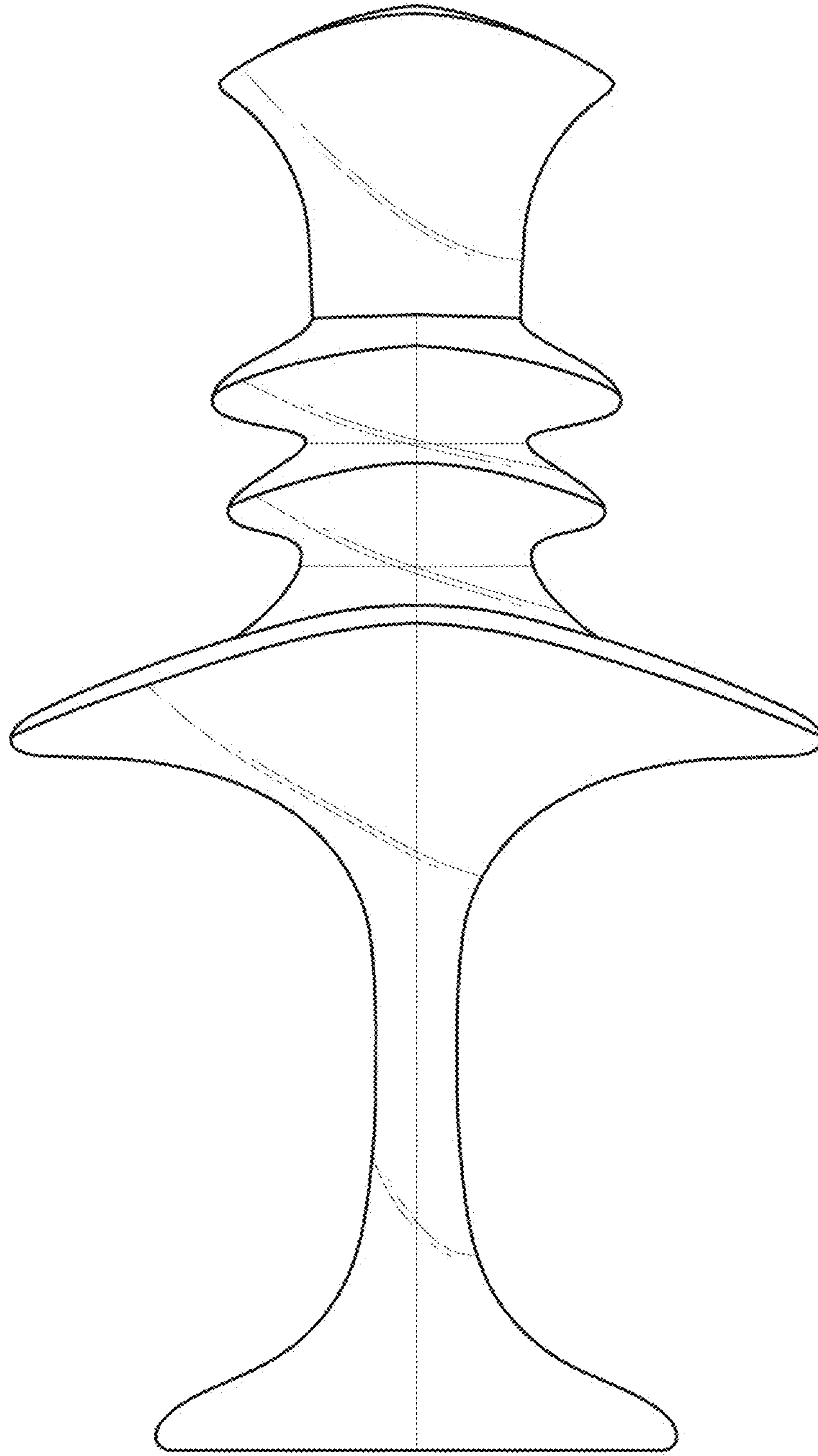


Fig. 1.4

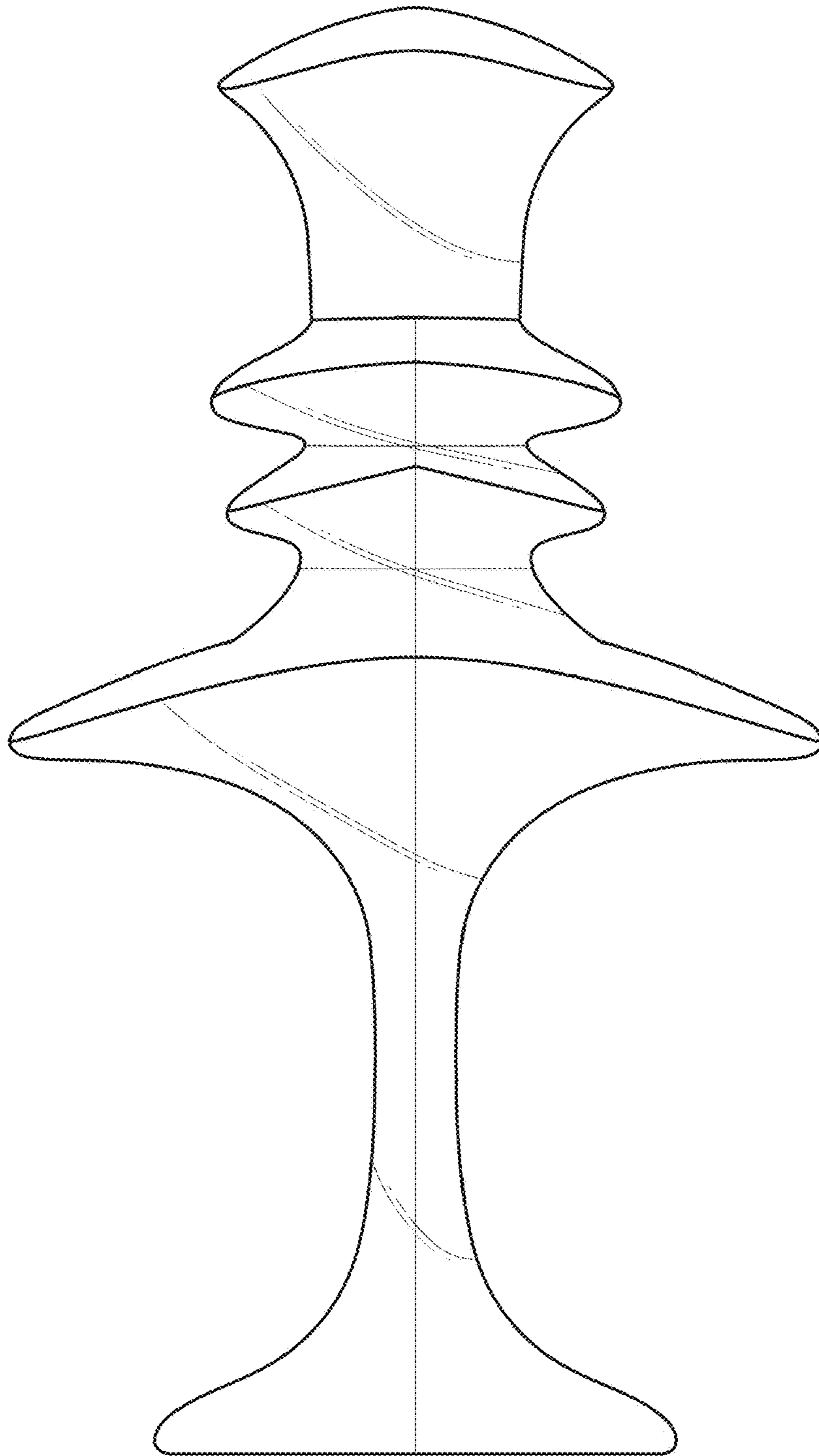


Fig. 1.5

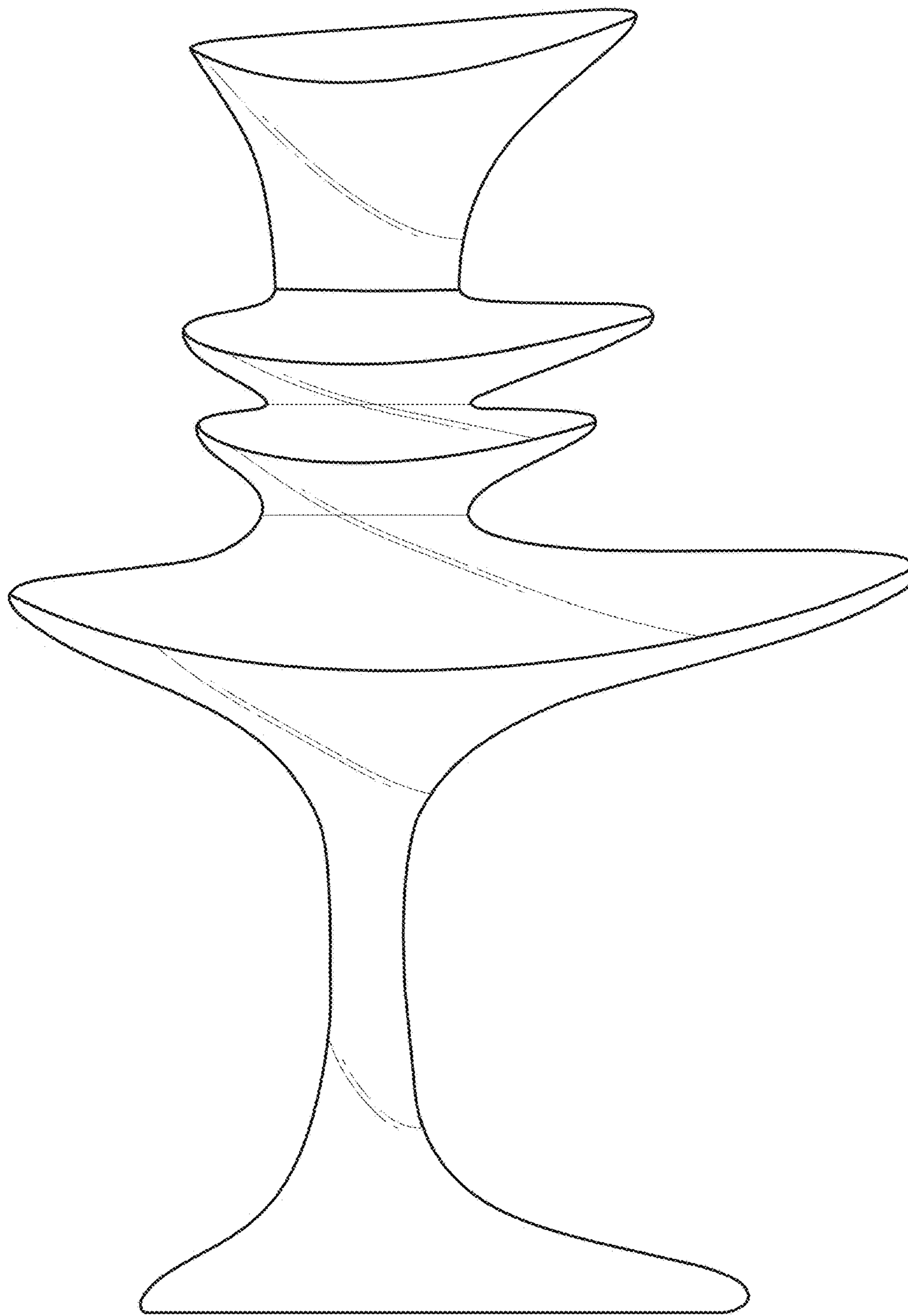


Fig. 1.6

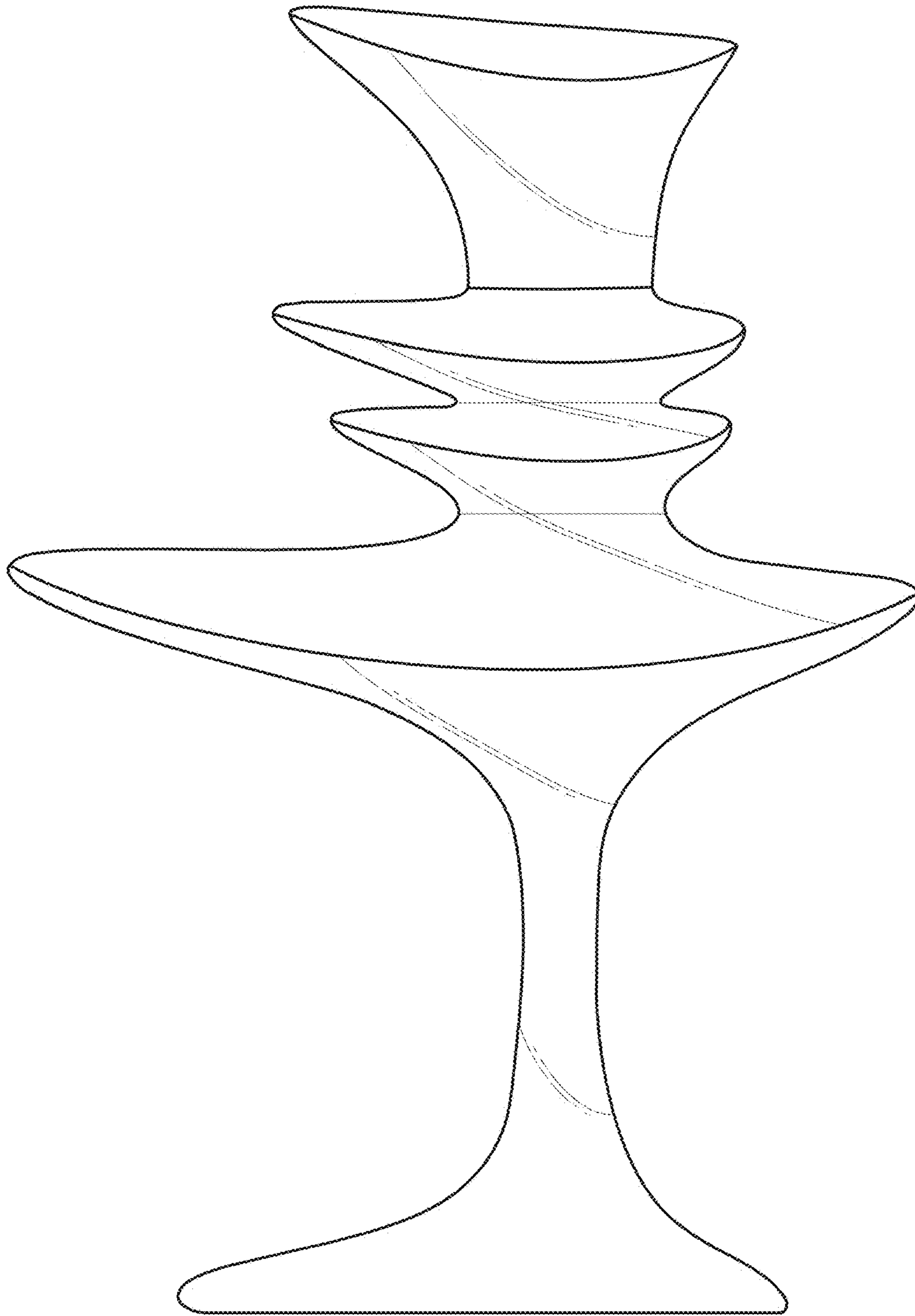


Fig. 1.7

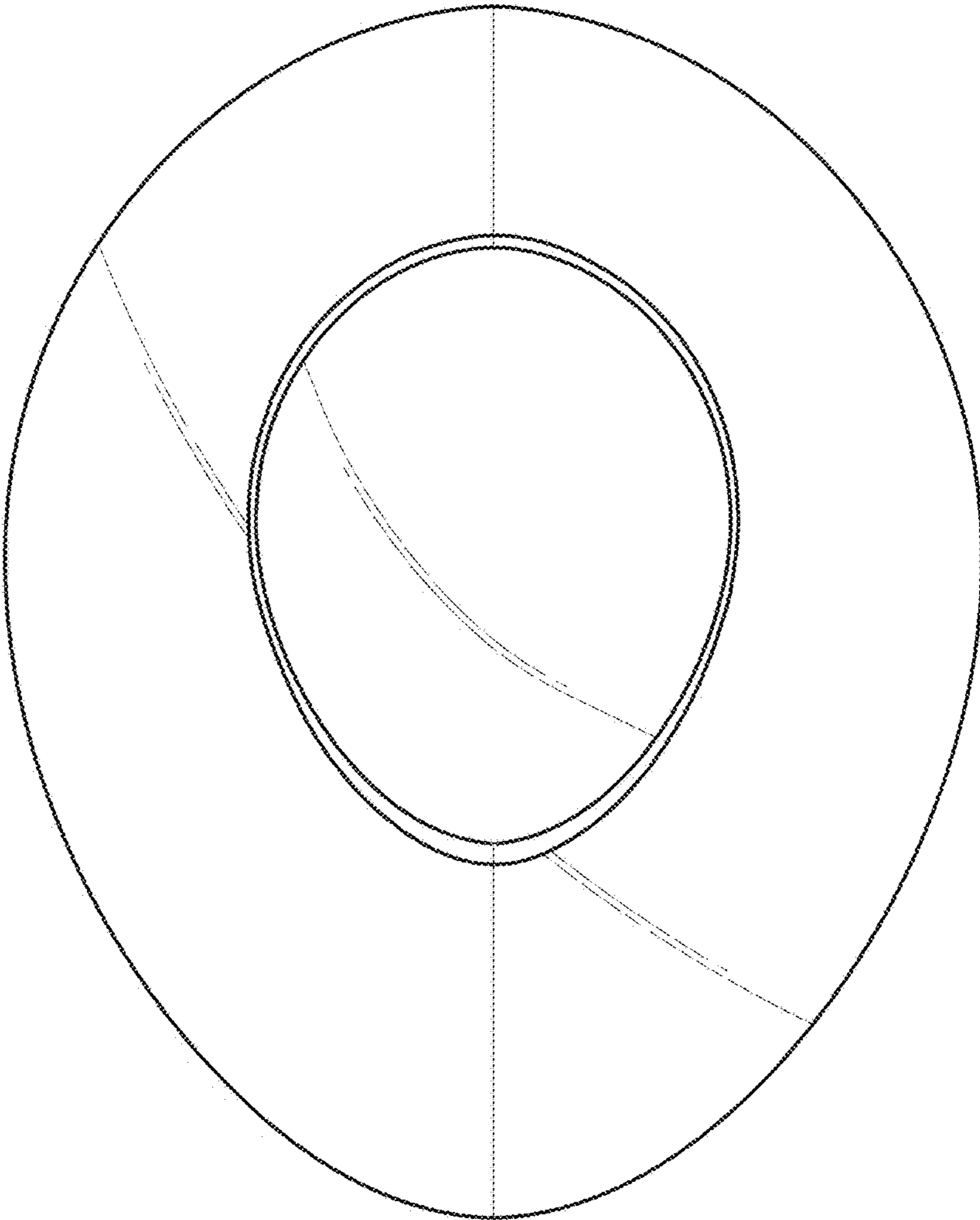




Fig. 1.8

