



US00D853847S

(12) **United States Design Patent**
Lee et al.

(10) **Patent No.:** **US D853,847 S**
(45) **Date of Patent:** **** Jul. 16, 2019**

(54) **CONTAINER**

(71) Applicant: **Owens-Brockway Glass Container Inc.**, Perrysburg, OH (US)

(72) Inventors: **Young Lee**, Perrysburg, OH (US); **Raul Paredes**, Perrysburg, OH (US); **Douglas Laib**, Perrysburg, OH (US); **Lara Koenick**, Boyds, MD (US); **Andrew Birkhoff**, Columbus, OH (US); **Paul Harris**, Toledo, OH (US)

(73) Assignee: **Owens-Brockway Glass Container Inc.**, Perrysburg, OH (US)

(**) Term: **15 Years**

(21) Appl. No.: **29/647,313**

(22) Filed: **May 11, 2018**

(51) **LOC (11) Cl.** **09-01**

(52) **U.S. Cl.**
USPC **D9/516**; D9/560

(58) **Field of Classification Search**
USPC D9/500, 502–505, 516, 530, 537,
D9/539–540, 544–546, 549, 550, 558,
D9/560, 715, 719
CPC B65D 1/00; B65D 1/02; B65D 1/0223;
B65D 23/00; B65D 81/00; B65D
2501/00; B65D 2501/0009; B65D
2501/0081

See application file for complete search history.

(56) **References Cited**

U.S. PATENT DOCUMENTS

D41,559 S * 7/1911 Marsters D9/560
D92,640 S * 6/1934 Ennever D9/560
D282,632 S 2/1986 Beaver et al.
D414,417 S 9/1999 Alt
D476,571 S 7/2003 Lince

D546,686 S 7/2007 Warner
D602,368 S 10/2009 Rica
D653,558 S * 2/2012 Kania D9/560
8,309,622 B2 * 11/2012 Schmidt A23L 3/3436
523/100
D713,250 S 9/2014 Perez-Cabrera
D790,968 S 7/2017 Thompson

FOREIGN PATENT DOCUMENTS

EM 004005973-009 10/2017

* cited by examiner

Primary Examiner — Dana Meyrow

(57) **CLAIM**

We claim the ornamental design for a container, as shown and described.

DESCRIPTION

FIG. 1 is a perspective view of a container in accordance with our new design;

FIG. 2 is a front view of the container in FIG. 1, the rear and side views of the claimed design being identical to the front view of FIG. 2.

FIG. 3 is an enlarged top view of the container in FIG. 1; and,

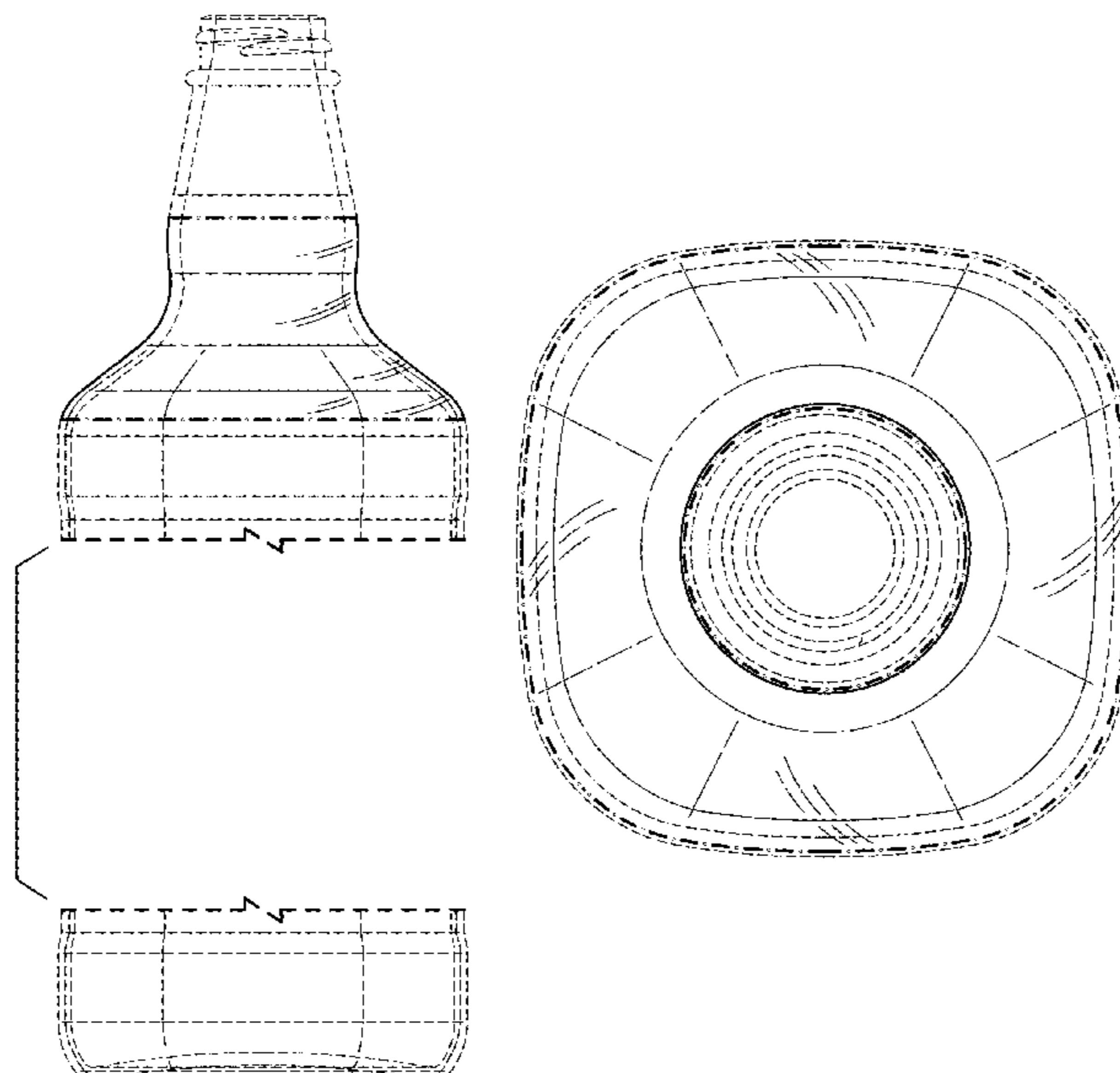
FIG. 4 is an enlarged bottom view of the container in FIG. 1.

Dash-dash-dash broken lines shown in the drawings represent subject matter that is not part of the claimed design.

Dash-dot-dash broken lines shown in the drawings represent boundaries of the claimed design and are not part of the claimed design.

Broken lines that separate portions of the container, and a bracket between these broken lines, represent indeterminate length of the container and form no part of the claimed design.

1 Claim, 2 Drawing Sheets



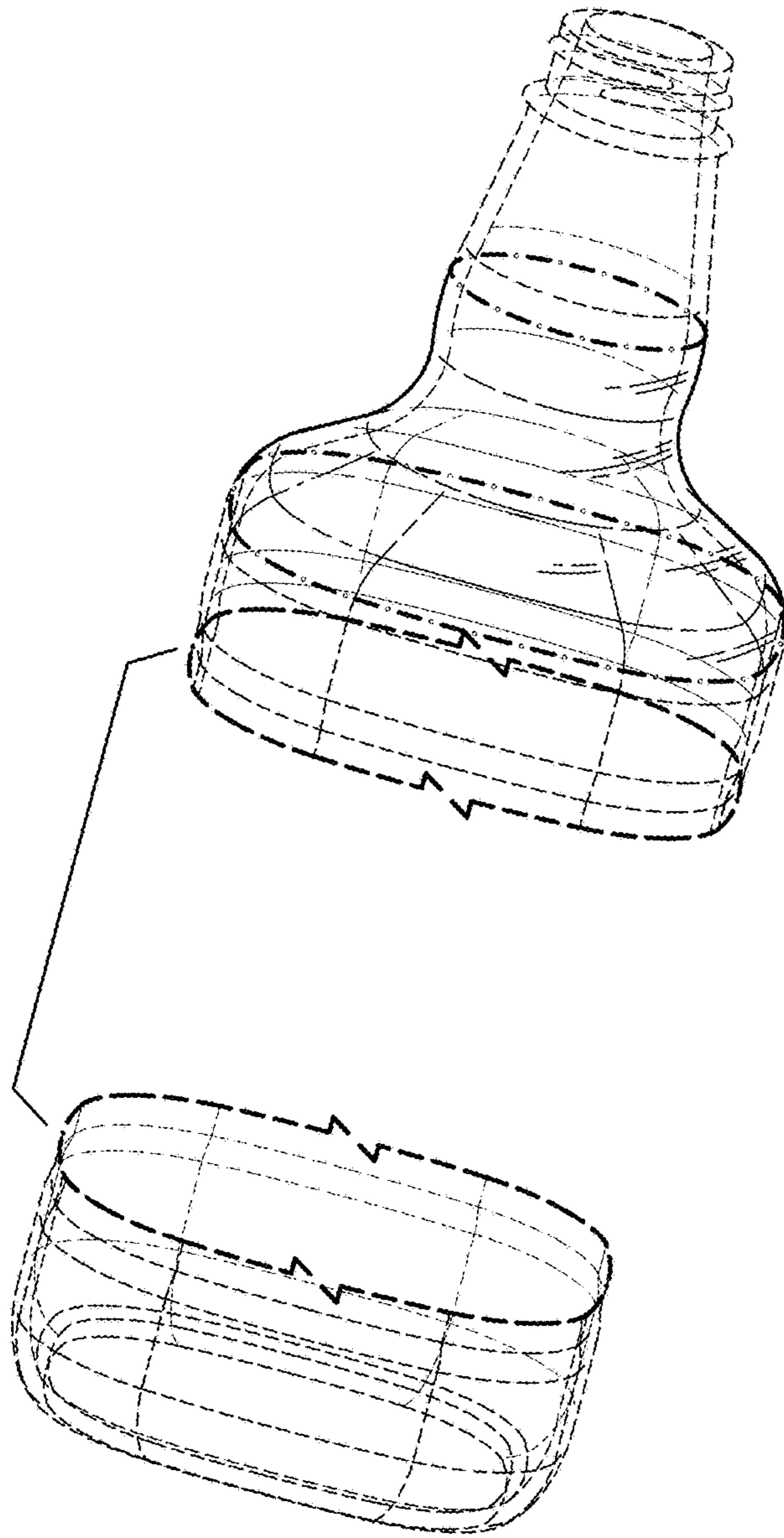


FIG. 1

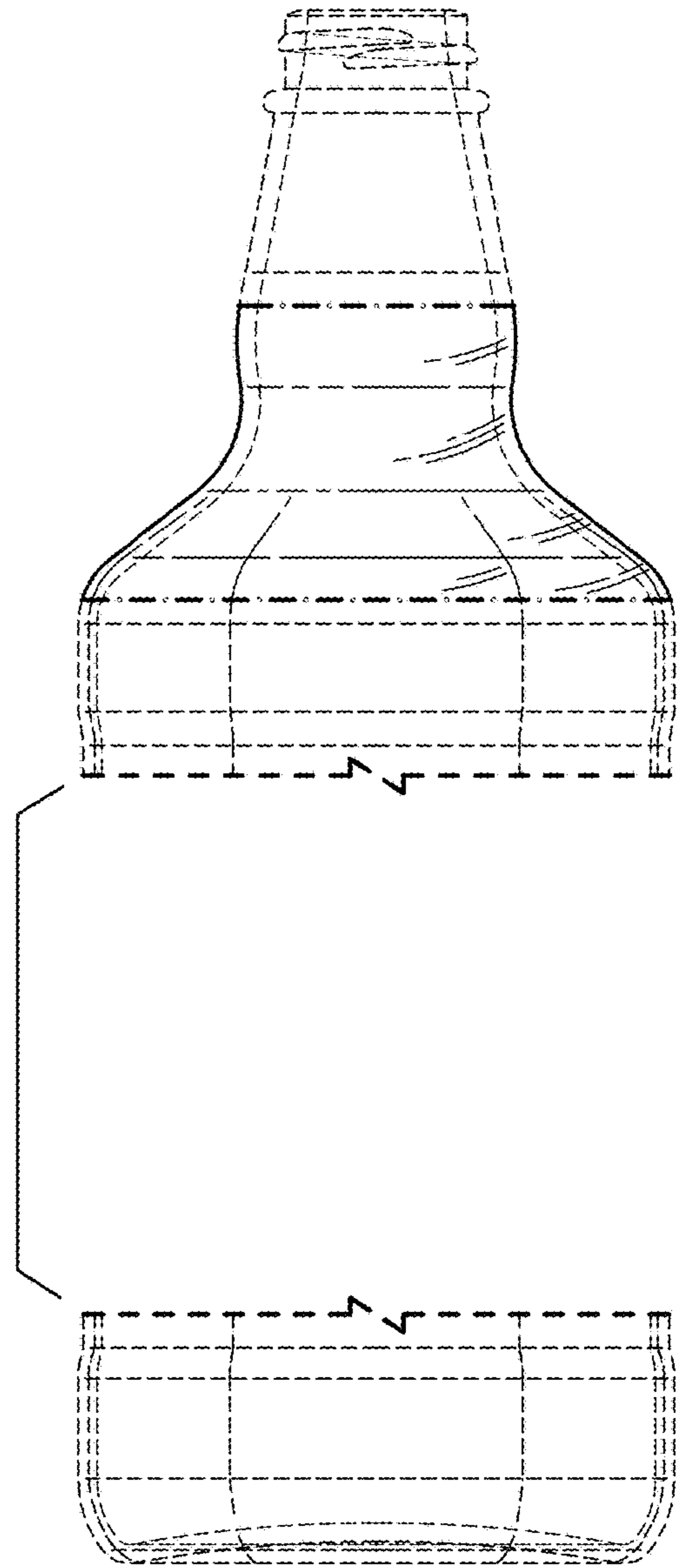


FIG. 2

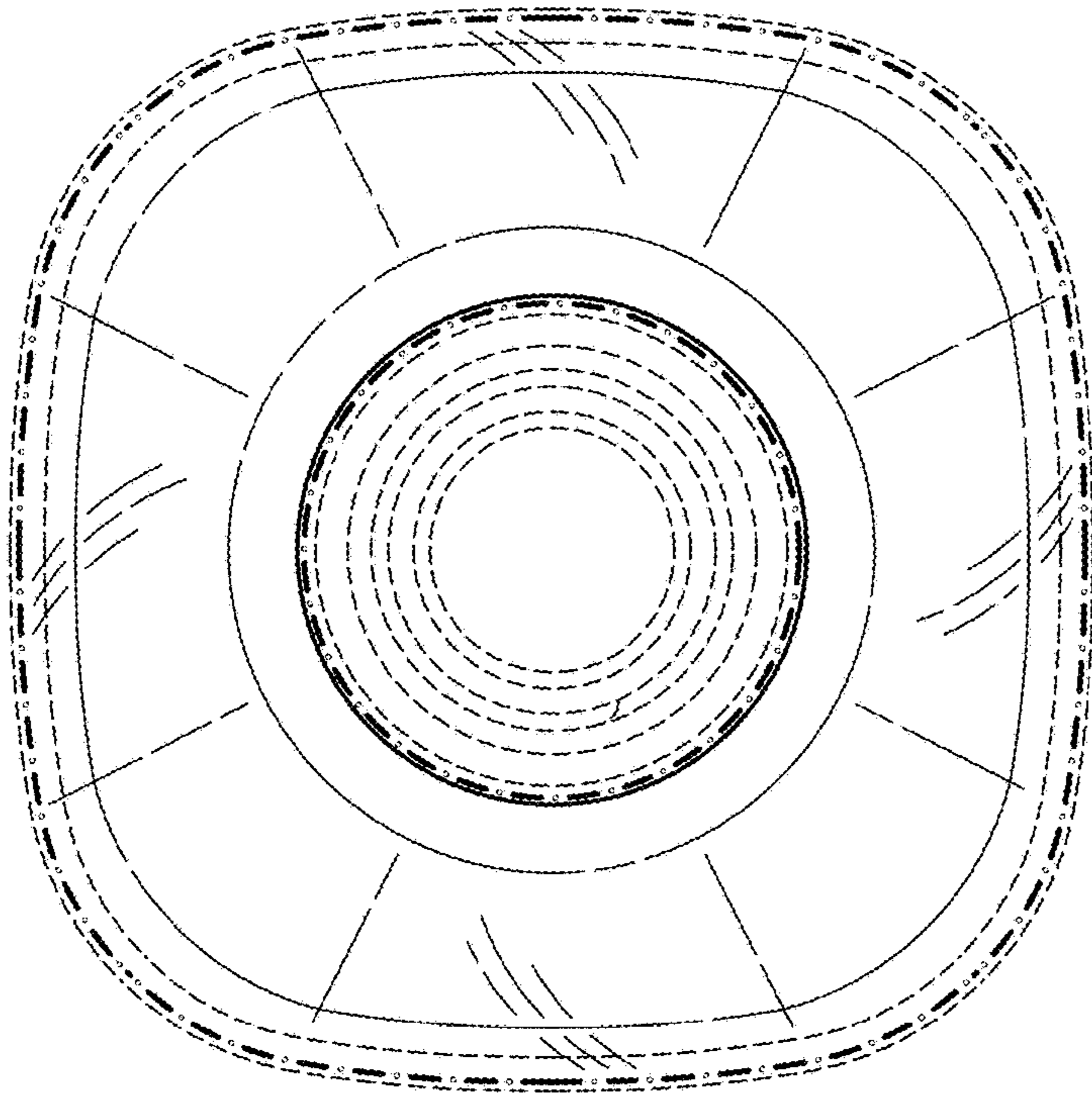


FIG. 3

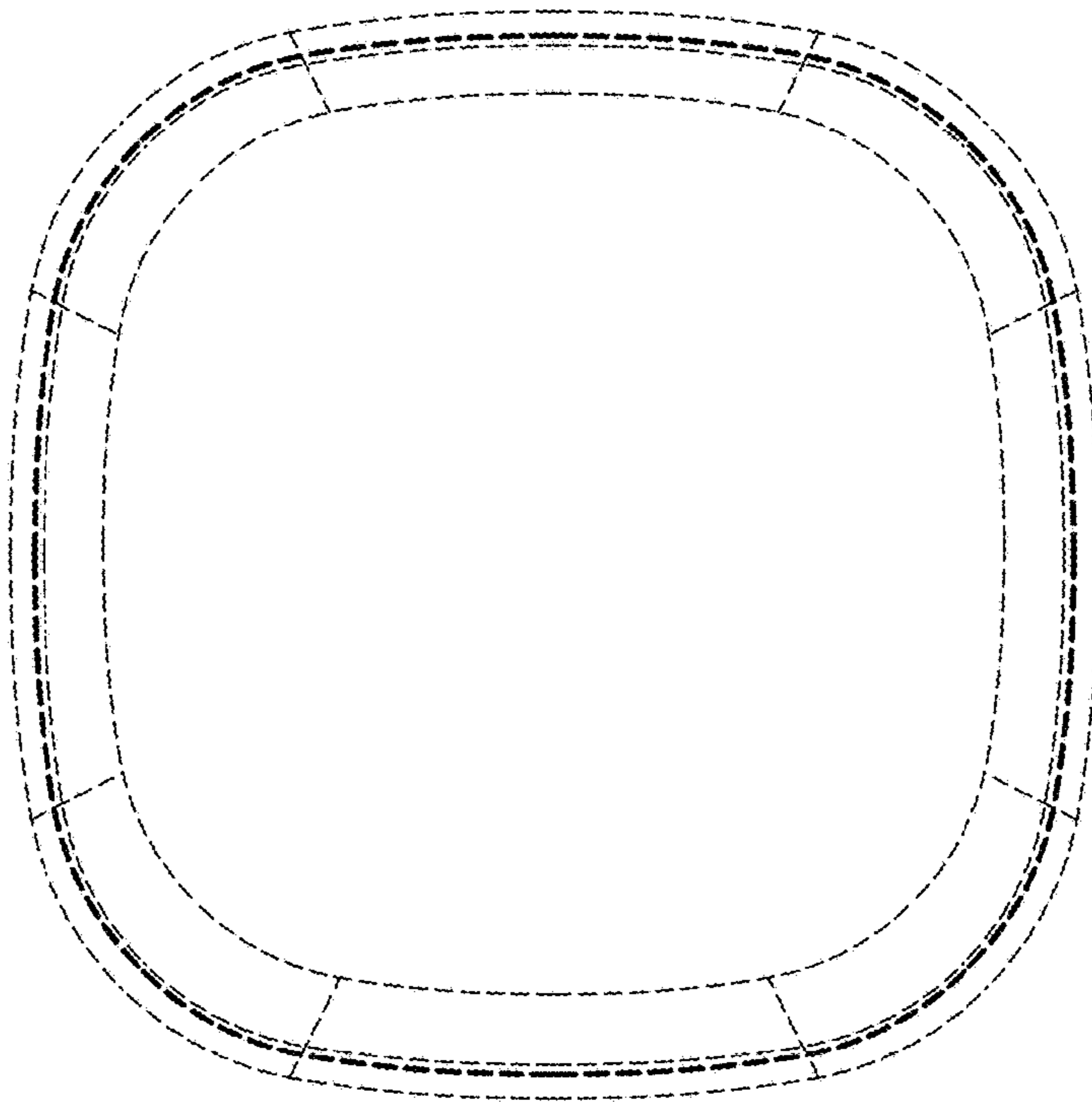


FIG. 4