



US00D853844S

(12) **United States Design Patent**
Juillet

(10) **Patent No.:** **US D853,844 S**

(45) **Date of Patent:** **** Jul. 16, 2019**

(54) **STORAGE TRAY FOR HOROLOGICAL GOODS**

(71) Applicant: **NIVAROX-FAR S.A.**, Le Locle (CH)

(72) Inventor: **Roger Juillet**, Fontanemelon (CH)

(73) Assignee: **Nivarox-Far S.A.**, Le Locle (CH)

(**) Term: **15 Years**

(21) Appl. No.: **29/617,936**

(22) Filed: **Sep. 18, 2017**

(30) **Foreign Application Priority Data**

Mar. 16, 2017 (WO) DM/095 810

(51) **LOC (11) Cl.** **09-07**

(52) **U.S. Cl.**
USPC **D9/456; D3/304**

(58) **Field of Classification Search**

USPC D3/304, 318, 319; D6/300, 382, 383,
D6/648, 672, 675, 675.2, 682.3, 683;
D7/387, 388, 391, 392.1, 396.1, 396.6,
D7/403, 409, 511, 550.1, 553.1, 553.2,
D7/566, 568, 601, 602, 614, 615, 629,
D7/701, 703, 707, 708; D9/414, 416,
D9/424, 425, 426, 427, 428, 430, 432,
D9/433, 434, 435, 436, 456, 601, 602,
D9/701, 703, 707, 708, 715, 721, 732,
D9/736, 756, 761; D34/38; D24/121,
D24/123, 124, 227, 228

CPC B65D 81/02; B65D 81/054; B65D 81/055;
B65D 81/2023; B65D 81/05; B65D
85/34; B65D 85/36; B65D 85/40; B65D
85/46; B65D 5/04; B65D 5/105; B65D
5/5035; B65D 5/0004; B65D 5/4212;
B65D 5/503; B65D 65/42; B65D 65/461;
B65D 43/16; B65D 43/18; B65D
75/5855; B65D 71/70; B65D 1/36; B65D
21/0212; A47G 19/30; B65B 11/52;
B65B 31/028; E04B 2001/7691

See application file for complete search history.

(56) **References Cited**

U.S. PATENT DOCUMENTS

1,819,660 A * 8/1931 Stone A47J 37/10
126/339
3,041,219 A * 6/1962 Steck E04B 1/80
156/335
D438,703 S * 3/2001 Campbell D3/304
D443,969 S * 6/2001 Apps D34/38
D515,315 S * 2/2006 Rader D3/304
D562,589 S * 2/2008 Mellon D6/300
D566,556 S * 4/2008 Baker D9/456
D581,726 S * 12/2008 Shamoon D7/387

(Continued)

OTHER PUBLICATIONS

Steel Tray for Watch Crown Small Parts Heating Tool: Site Visited
[Mar. 27, 2019]. Available from Internet URL: <https://www.amazon.com/Steel-Watch-Crown-Small-Heating/dp/B06XJ4K1GG>.*

Primary Examiner — Jennifer Rivard

Assistant Examiner — Catherine S Posthauer

(74) *Attorney, Agent, or Firm* — Blank Rome LLP

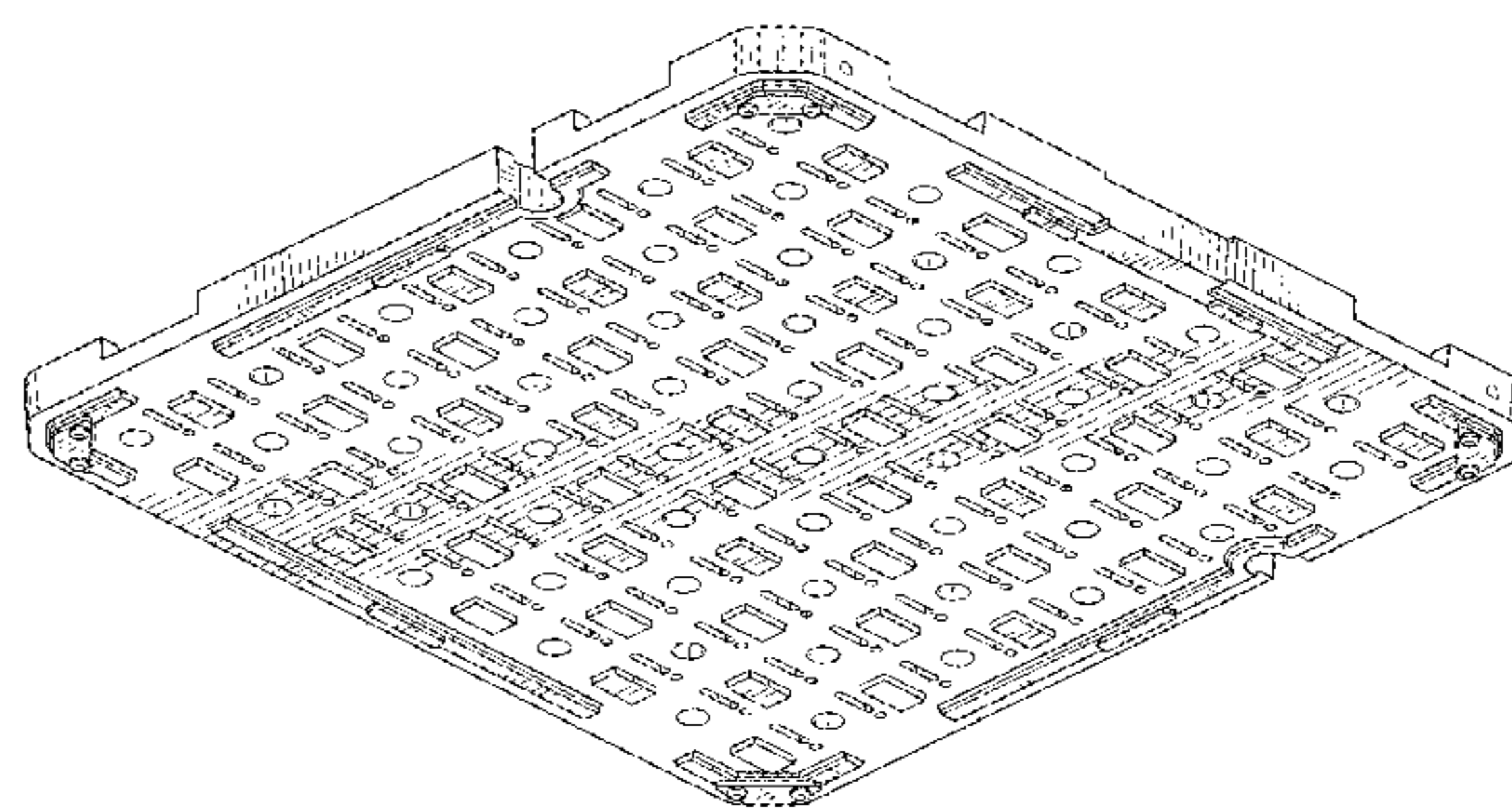
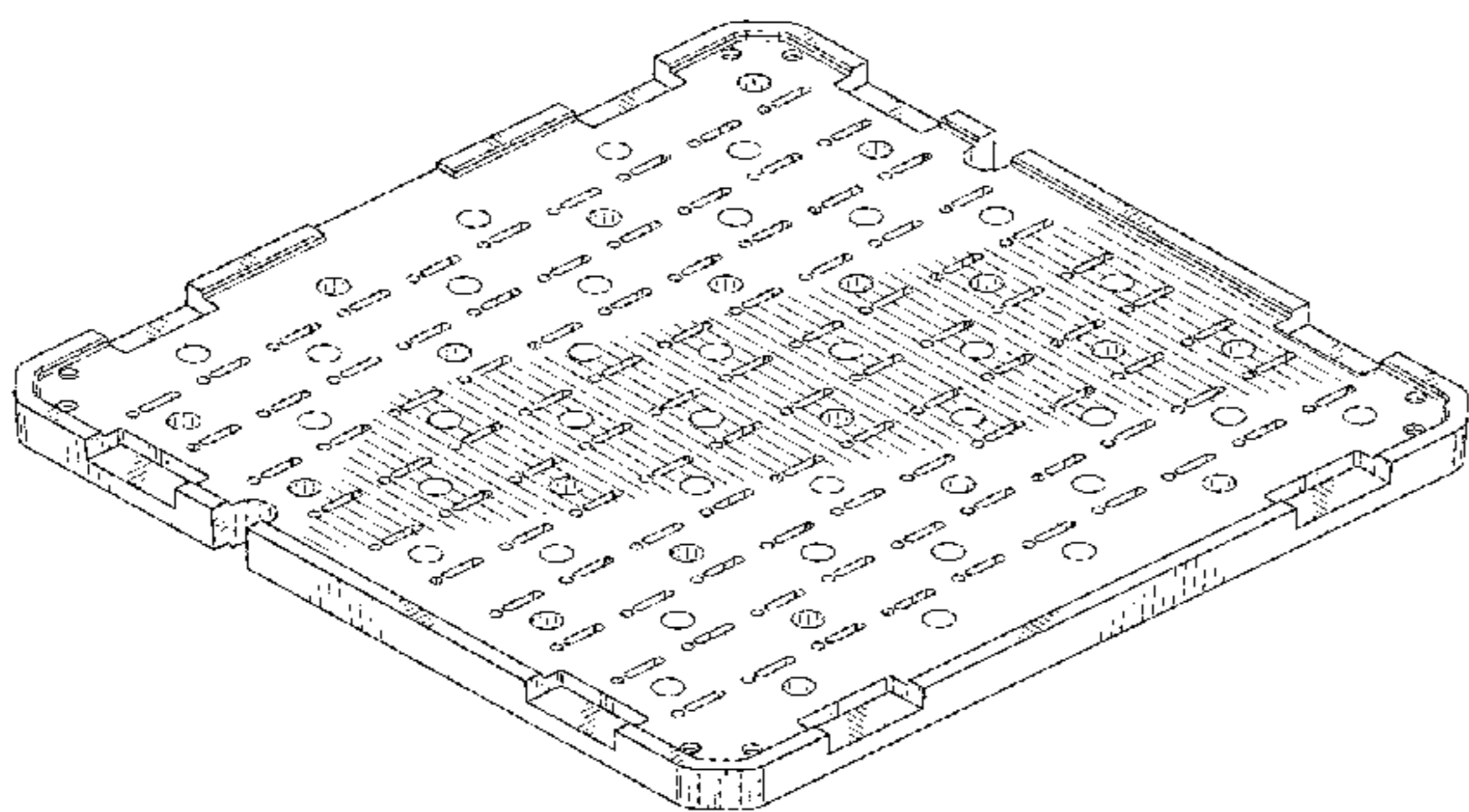
(57) **CLAIM**

The ornamental design for a storage tray for horological goods, as shown.

DESCRIPTION

FIG. 1 is a left front bottom perspective view of a storage tray for horological goods showing my new design; FIG. 2 is a right rear top perspective view thereof; FIG. 3 is a front view thereof; FIG. 4 is a rear view thereof; FIG. 5 is a left side view thereof; FIG. 6 is a right side view thereof; FIG. 7 is a bottom view thereof; and, FIG. 8 is a top view thereof.

1 Claim, 6 Drawing Sheets



(56)

References Cited

U.S. PATENT DOCUMENTS

D682,553 S * 5/2013 Jurich D3/318
D692,296 S * 10/2013 Cooper D9/424
D726,330 S * 4/2015 Hurst D24/227
D765,410 S * 9/2016 Reinhart D3/318
D781,148 S * 3/2017 Kemp D3/304
D801,804 S * 11/2017 McCune D9/424
D806,471 S * 1/2018 Fullmer D7/409
D812,425 S * 3/2018 Reischmann D7/409
D843,172 S * 3/2019 McGinnis D7/409
2005/0077205 A1 * 4/2005 Pylant B65D 1/36
206/710
2005/0138887 A1 * 6/2005 Kanachowski A47F 7/281
52/741.1
2009/0238393 A1 * 9/2009 Zhang B65D 1/36
381/361
2013/0240220 A1 * 9/2013 Loureiro H05K 5/0213
169/45
2016/0007737 A1 * 1/2016 Clark B65D 21/0215
211/126.2
2016/0114953 A1 * 4/2016 Sanderson B65B 5/04
206/583
2018/0170614 A1 * 6/2018 Sun B65D 81/02
2018/0170660 A1 * 6/2018 Buhler G04D 1/0021
2018/0245335 A1 * 8/2018 Schluter B32B 5/18
2018/0251260 A1 * 9/2018 Hassell A47J 37/01
2018/0288961 A1 * 10/2018 Foght A01J 25/13
2018/0312297 A1 * 11/2018 Knobel B65D 21/083

* cited by examiner

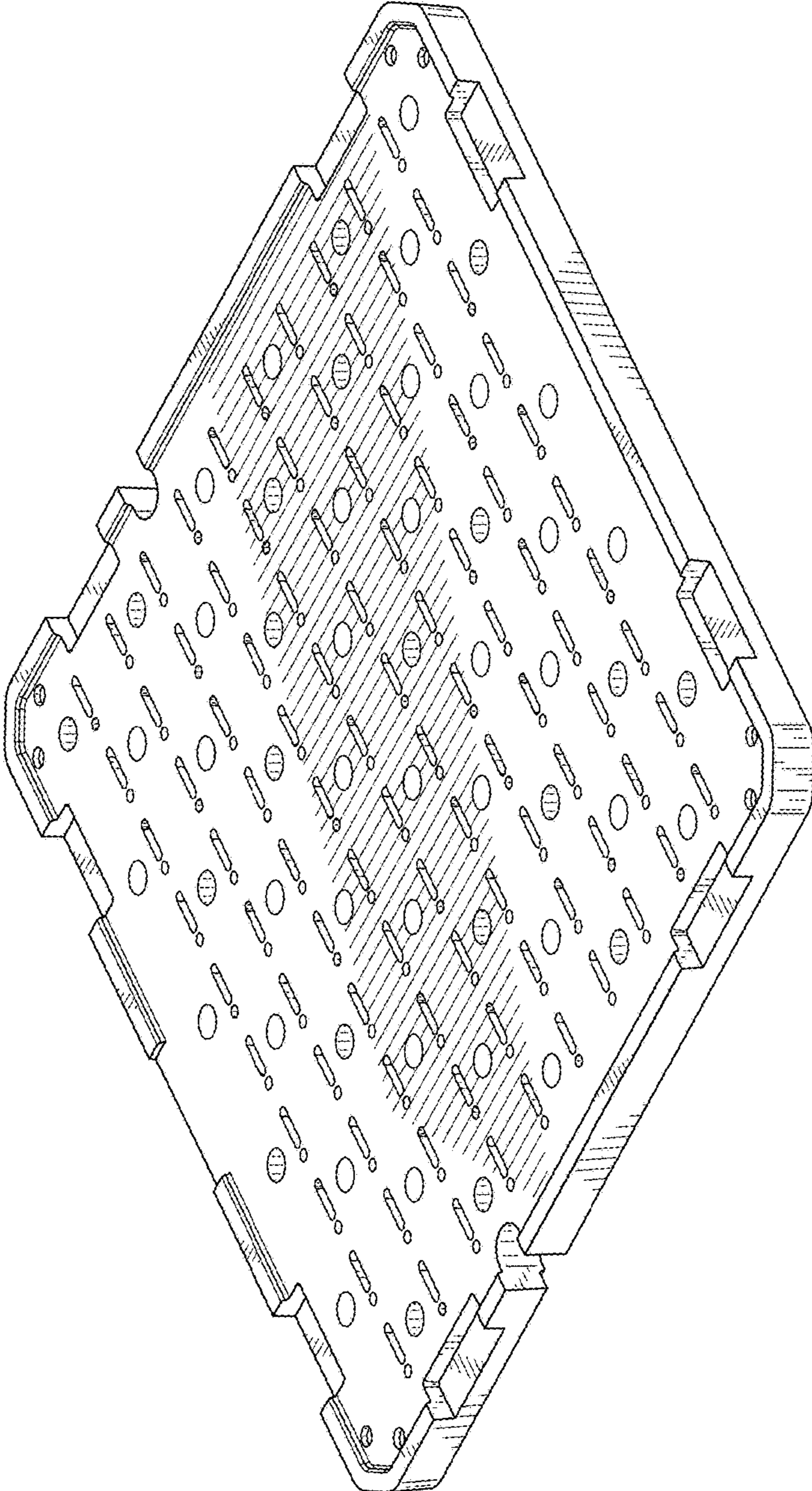


FIG. 1

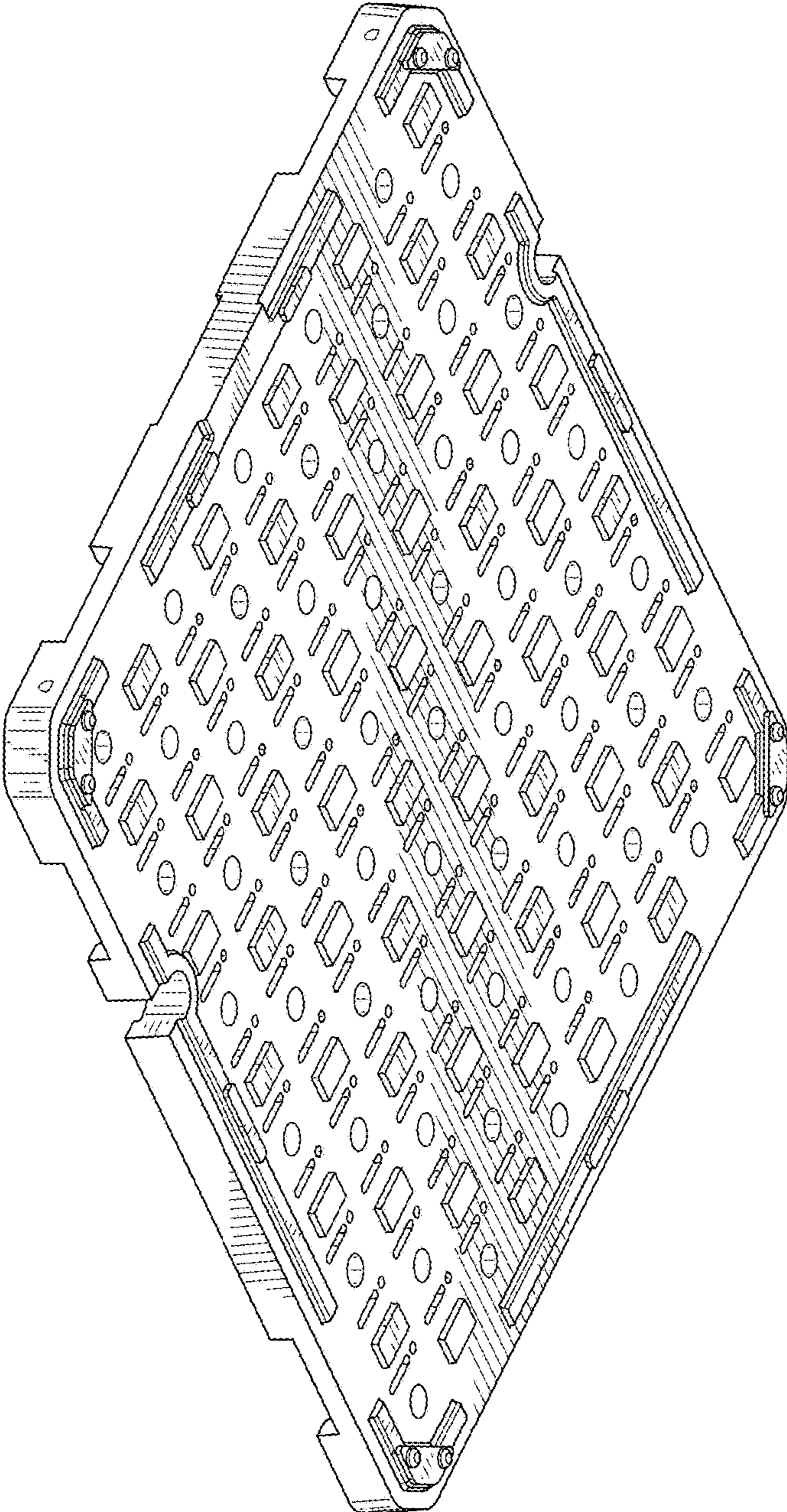


FIG. 2

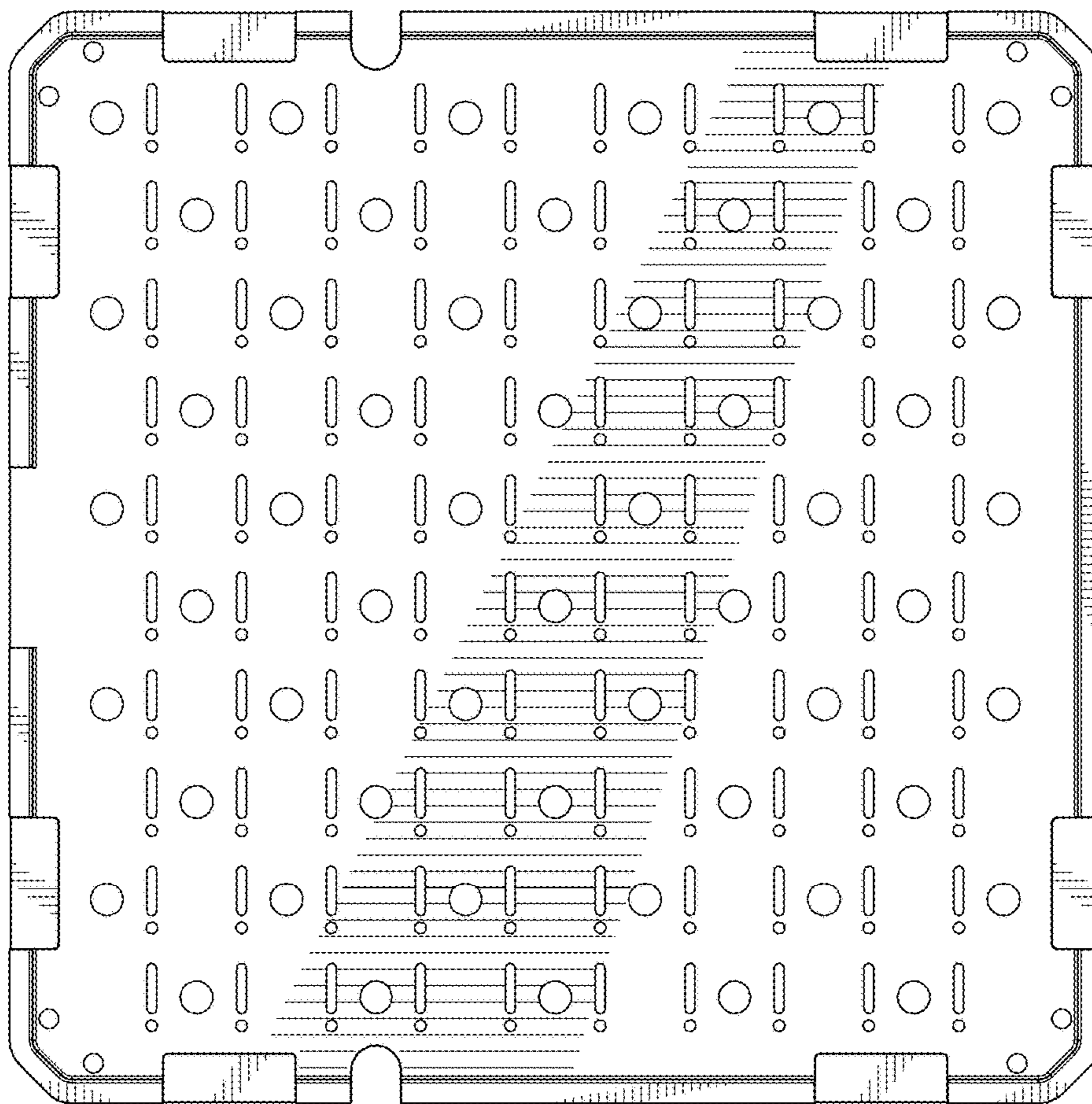


FIG. 3

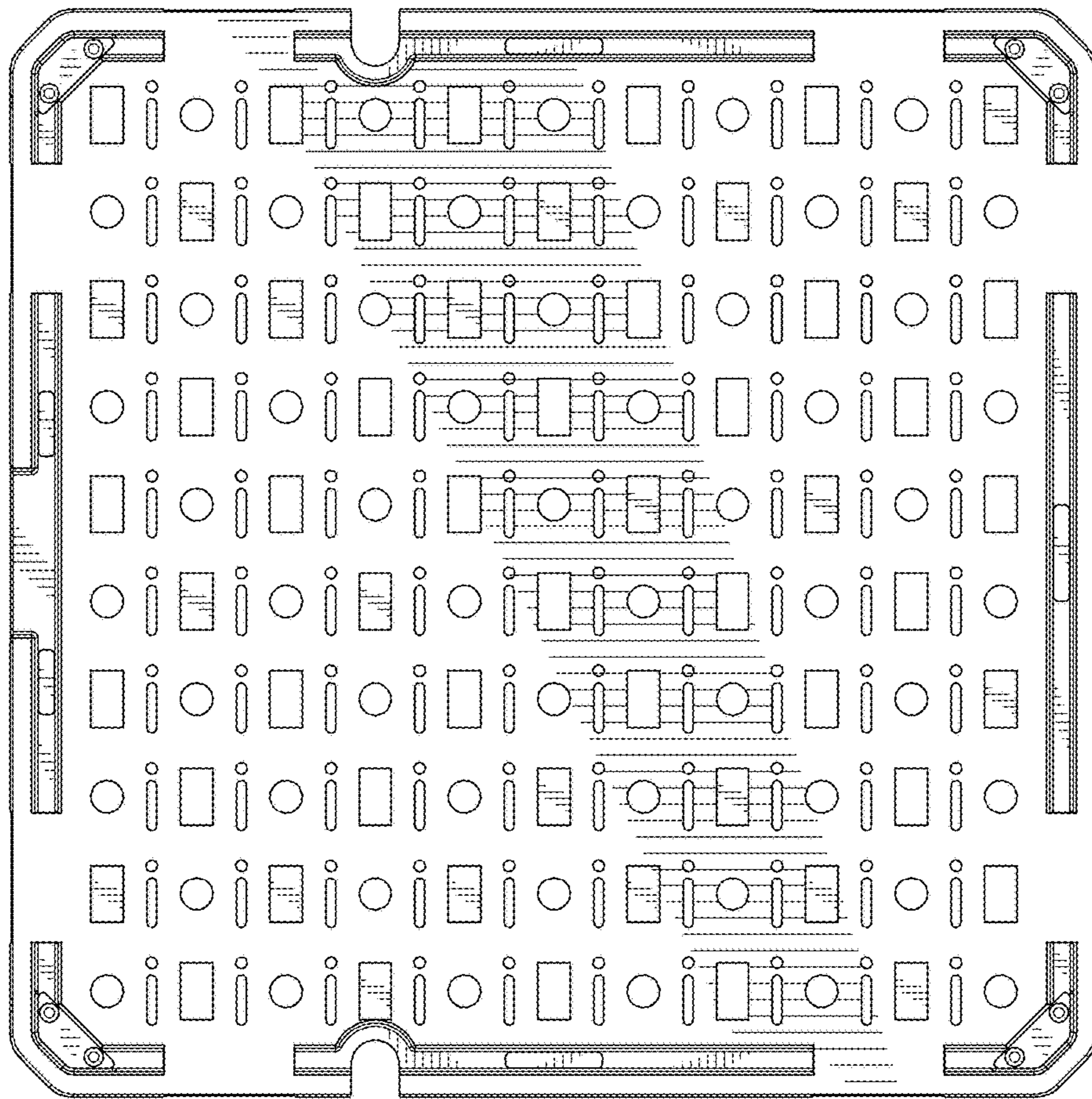


FIG. 4

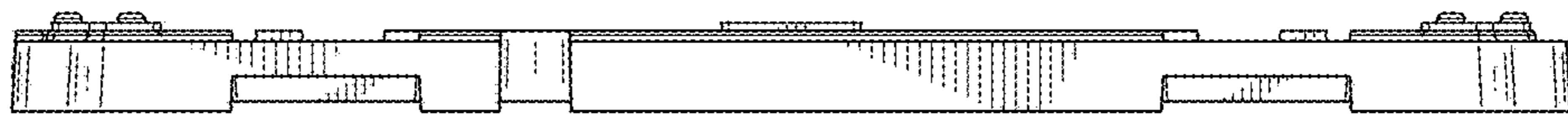


FIG. 6

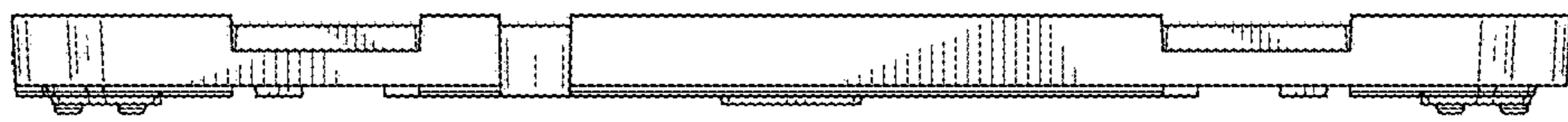


FIG. 5

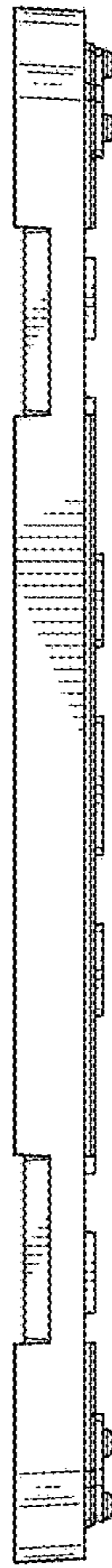


FIG. 7

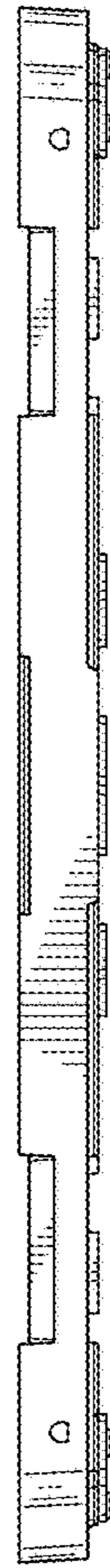


FIG. 8