



US00D853843S

(12) **United States Design Patent** (10) **Patent No.:** **US D853,843 S**
Michailides (45) **Date of Patent:** **** Jul. 16, 2019**

(54) **CLOSED STOPPER** 43/02; B65D 53/02; B65D 47/0838;
B05B 17/00; B05B 15/002

(71) Applicant: **Flavourat srl**, Oleggio NO (IT) See application file for complete search history.

(72) Inventor: **Iraklis Michailides**, Athens (GR) (56)

(73) Assignee: **FLAVOURART SRL**, Oleggio (NO) (IT)

(**) Term: **15 Years**

(21) Appl. No.: **29/576,057**

(22) Filed: **Aug. 31, 2016**

(30) **Foreign Application Priority Data**

Mar. 2, 2016 (EM) 003010305-0001

(51) **LOC (11) Cl.** **09-07**

(52) **U.S. Cl.**
USPC **D9/449**

(58) **Field of Classification Search**
USPC D3/201, 202, 203.1, 273, 294, 318;
D7/300, 300.1, 316, 317, 387, 391, 392.1,
D7/393, 396.2, 398, 509, 510, 511,
D7/523-531, 538, 541, 549, 629, 703,
D7/900; D9/434, 435, 436, 438, 439,
D9/440, 443, 446-450, 452, 453, 454,
D9/456, 502, 503, 504, 516, 517, 529,
D9/723, 724, 746, 763, 774; D19/70, 71,
D19/115, 162, 163, 165, 192, 194;
D23/206, 208, 227, 259, 260; D24/121,
D24/127, 224; D26/36, 123, 124;
D28/7, 76, 78, 82, 91; D34/1, 7, 10, 11,
D34/35

CPC A45D 34/00; A45D 34/042; A45D 40/22;
A45D 2040/0006; A45D 2040/0093;
A47G 19/22; A47G 19/2205; A47G
19/2255; A47G 19/2266; B65D 1/02;
B65D 1/0233; B65D 1/08; B65D 1/10;
B65D 23/00; B65D 23/08; B65D 25/00;
B65D 25/40; B65D 25/42; B65D 25/46;
B65D 25/48; B65D 25/77; B65D 39/00;
B65D 39/0047; B65D 41/00; B65D

References Cited

U.S. PATENT DOCUMENTS

D265,060 S * 6/1982 Blank D9/446
5,785,193 A * 7/1998 Kobayashi B65D 47/0814
16/227
D455,077 S * 4/2002 Gaiser D9/449
D472,144 S * 3/2003 Hierzer D9/435
D508,203 S * 8/2005 Ziegenhorn D9/449
D508,853 S * 8/2005 Ziegenhorn D9/449

(Continued)

OTHER PUBLICATIONS

Flavourart E-cigarette Liquid: Announced Feb. 17, 2016 [online].
Site Visited [Aug. 6, 2018]. Available from Internet URL: <https://flavourart.com/en/store/flavors/sweet/armenia-apricot-flavor/>*

Primary Examiner — Jennifer Rivard
Assistant Examiner — Catherine S Posthauer
(74) *Attorney, Agent, or Firm* — Wenderoth, Lind & Ponack, L.L.P.

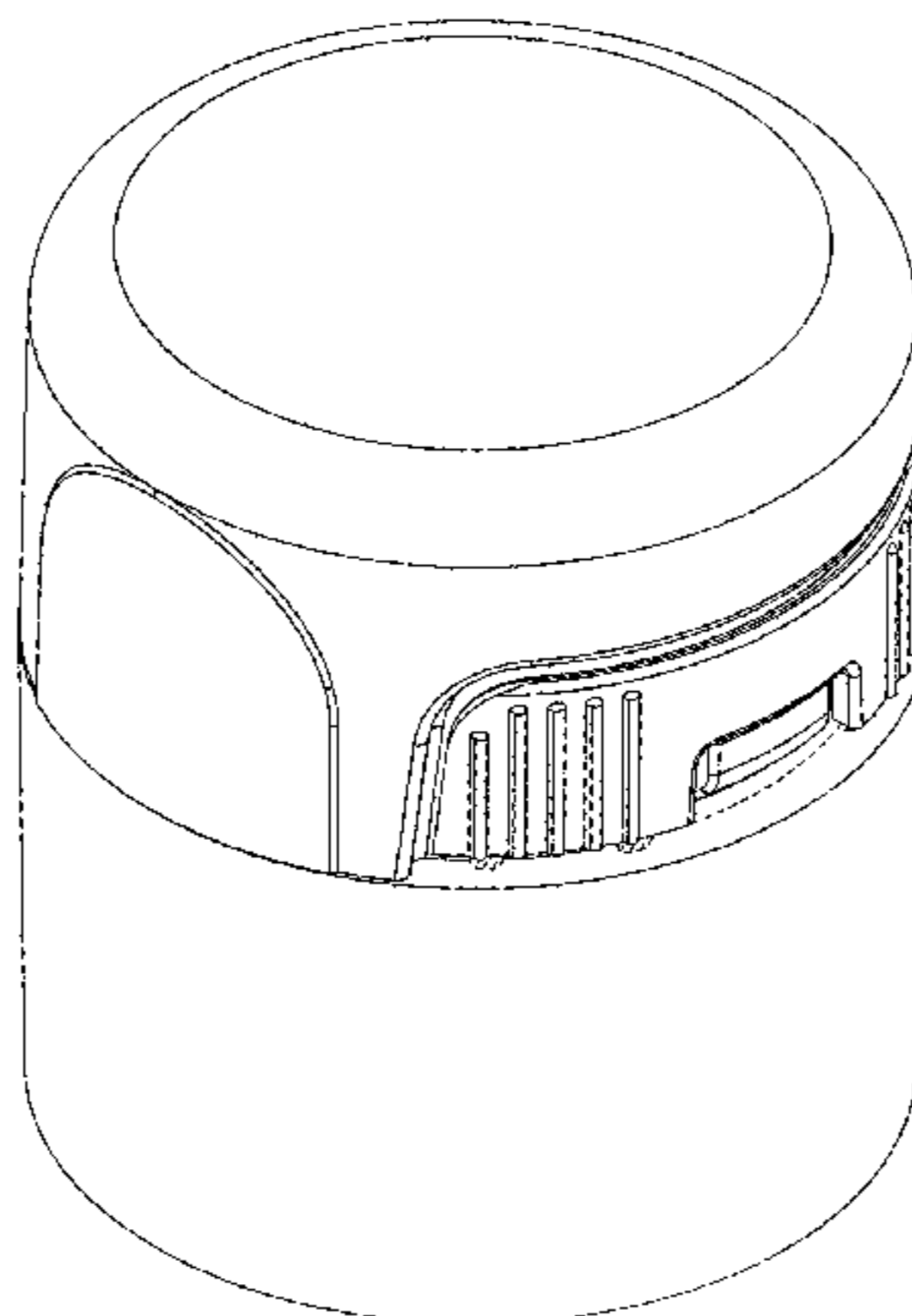
(57) **CLAIM**

The ornamental design for a closed stopper, as shown and described.

DESCRIPTION

FIG. 1 is a perspective view of the closed stopper;
FIG. 2 is a front view of the closed stopper;
FIG. 3 is a right side view of the closed stopper;
FIG. 4 is a left side view of the closed stopper;
FIG. 5 is a back view of the closed stopper;
FIG. 6 is a bottom view of the closed stopper; and,
FIG. 7 is a top view of the closed stopper.
The broken lines are shown for the purpose of illustrating parts of the article that form no part of the claim.

1 Claim, 7 Drawing Sheets



(56)

References Cited

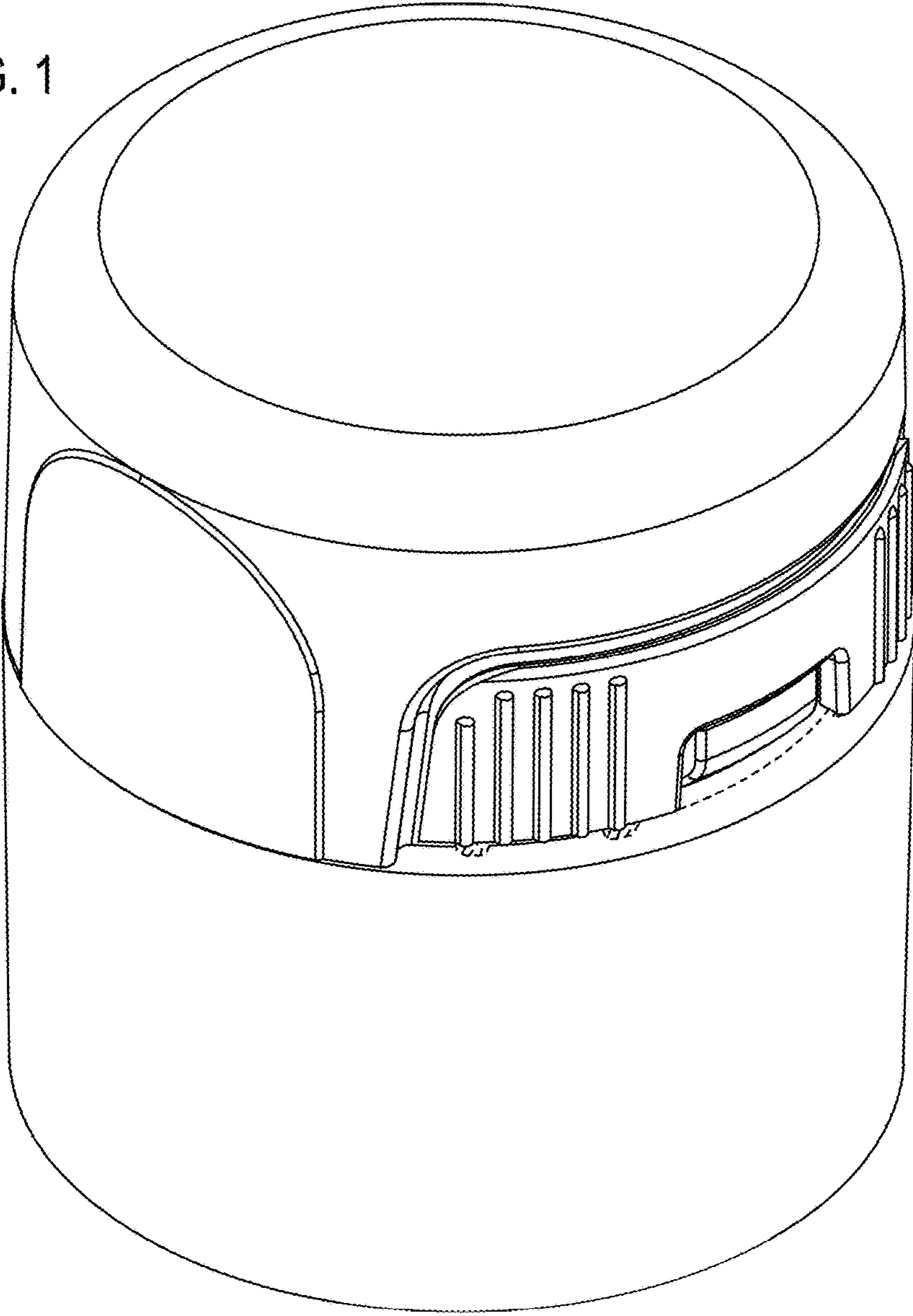
U.S. PATENT DOCUMENTS

D536,974 S * 2/2007 Smith D9/435
 D541,154 S * 4/2007 Moribata D9/449
 D575,152 S * 8/2008 Costa D9/448
 D585,741 S * 2/2009 Wilson D9/449
 D598,752 S * 8/2009 Wilson D9/449
 7,611,025 B2 * 11/2009 Nusbaum B65D 47/0838
 215/235
 D628,889 S * 12/2010 Groubert D9/449
 D628,892 S * 12/2010 Groubert D9/449
 D628,893 S * 12/2010 Groubert D9/449
 D629,299 S * 12/2010 Mazurkiewicz D9/449
 D634,198 S * 3/2011 Groubert D9/449
 D636,672 S * 4/2011 Lohrman D9/438
 D636,673 S * 4/2011 Lohrman D9/447
 D638,705 S * 5/2011 Schawo D9/443
 D641,240 S * 7/2011 Rognard D9/443
 D666,096 S * 8/2012 Cummings D9/447
 D670,884 S * 11/2012 Tuncel D34/7
 D673,044 S * 12/2012 Wisniewski D9/443
 D681,458 S * 5/2013 Santarelli D9/443
 D682,102 S * 5/2013 Davis D9/449
 D682,625 S * 5/2013 Lane D7/629
 D686,073 S * 7/2013 Stull, Sr. D9/447
 D686,871 S * 7/2013 Lane D7/392.1
 D686,872 S * 7/2013 Lane D7/392.1
 D688,554 S * 8/2013 Fracasso D9/447

D695,613 S * 12/2013 Miranda De Araujo D9/449
 D697,225 S * 1/2014 Maas D24/224
 D701,461 S * 3/2014 Chopdat D9/529
 D702,551 S * 4/2014 Wisniewski D9/449
 D707,125 S * 6/2014 Santarelli D9/447
 D709,764 S * 7/2014 Gibb D9/449
 D711,230 S * 8/2014 den Boer D9/449
 D713,723 S * 9/2014 den Boer D9/449
 D713,724 S * 9/2014 den Boer D9/449
 D722,267 S * 2/2015 Miranda De Araujo D9/449
 D730,729 S * 6/2015 George D9/435
 D747,201 S * 1/2016 Pellerin D9/449
 D759,484 S * 6/2016 Pastre D9/449
 D782,310 S * 3/2017 Li D9/434
 D782,908 S * 4/2017 Bentkovski D9/449
 D785,402 S * 5/2017 Shirley D7/392.1
 2006/0186077 A1 * 8/2006 Robinson B65D 47/0814
 215/237
 2006/0186078 A1 * 8/2006 Ziegenhorn B65D 47/0809
 215/237
 2006/0186079 A1 * 8/2006 Ziegenhorn B65D 47/0809
 215/237
 2012/0080442 A1 * 4/2012 Groubert B29C 45/1676
 220/849
 2016/0167840 A1 * 6/2016 Kleppsch B65D 41/04
 215/251
 2016/0272371 A1 * 9/2016 Crosby B65D 25/48
 2017/0144808 A1 * 5/2017 Choltco-Devlin B65D 43/26

* cited by examiner

FIG. 1



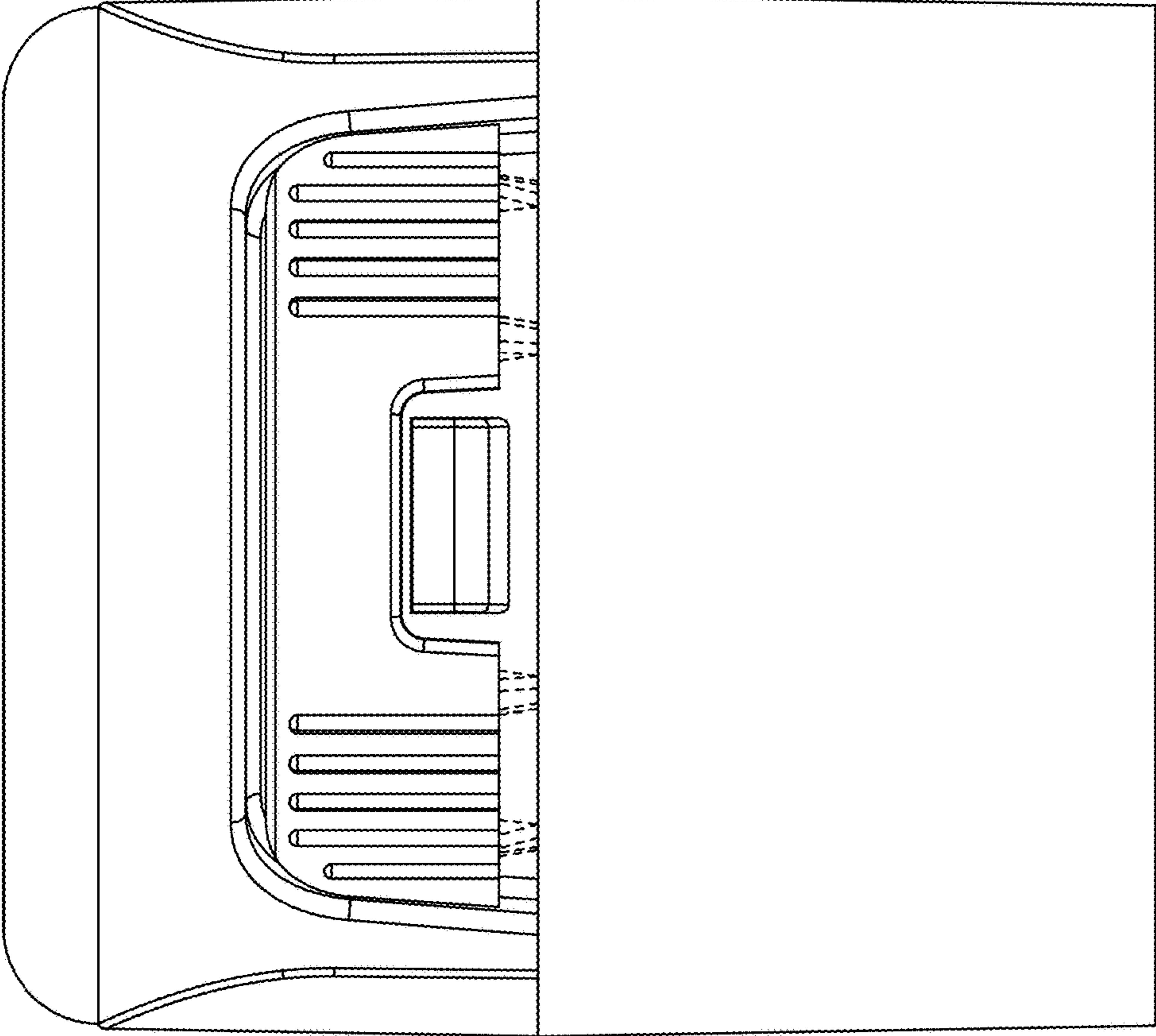


FIG. 2

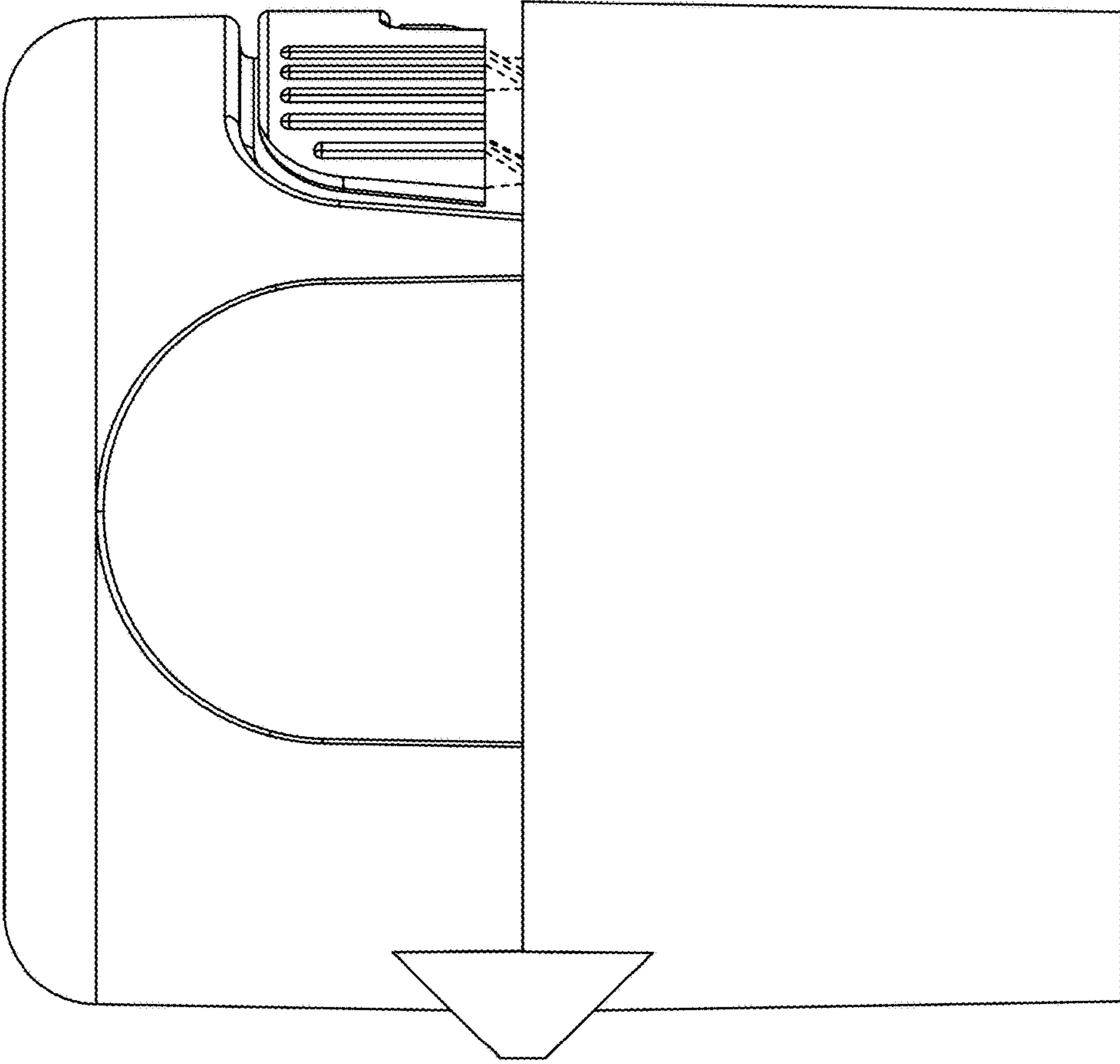


FIG. 3

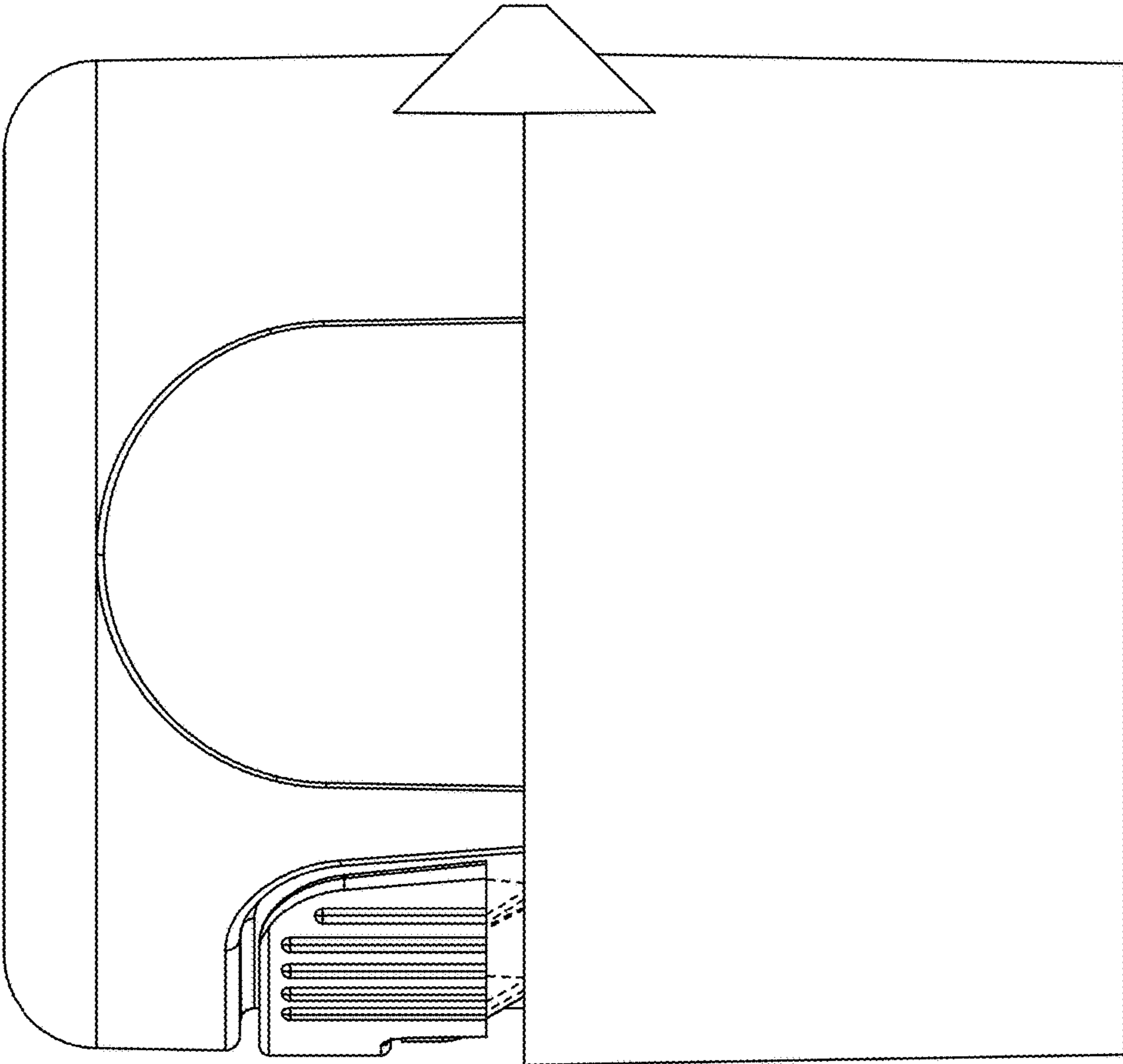


FIG. 4

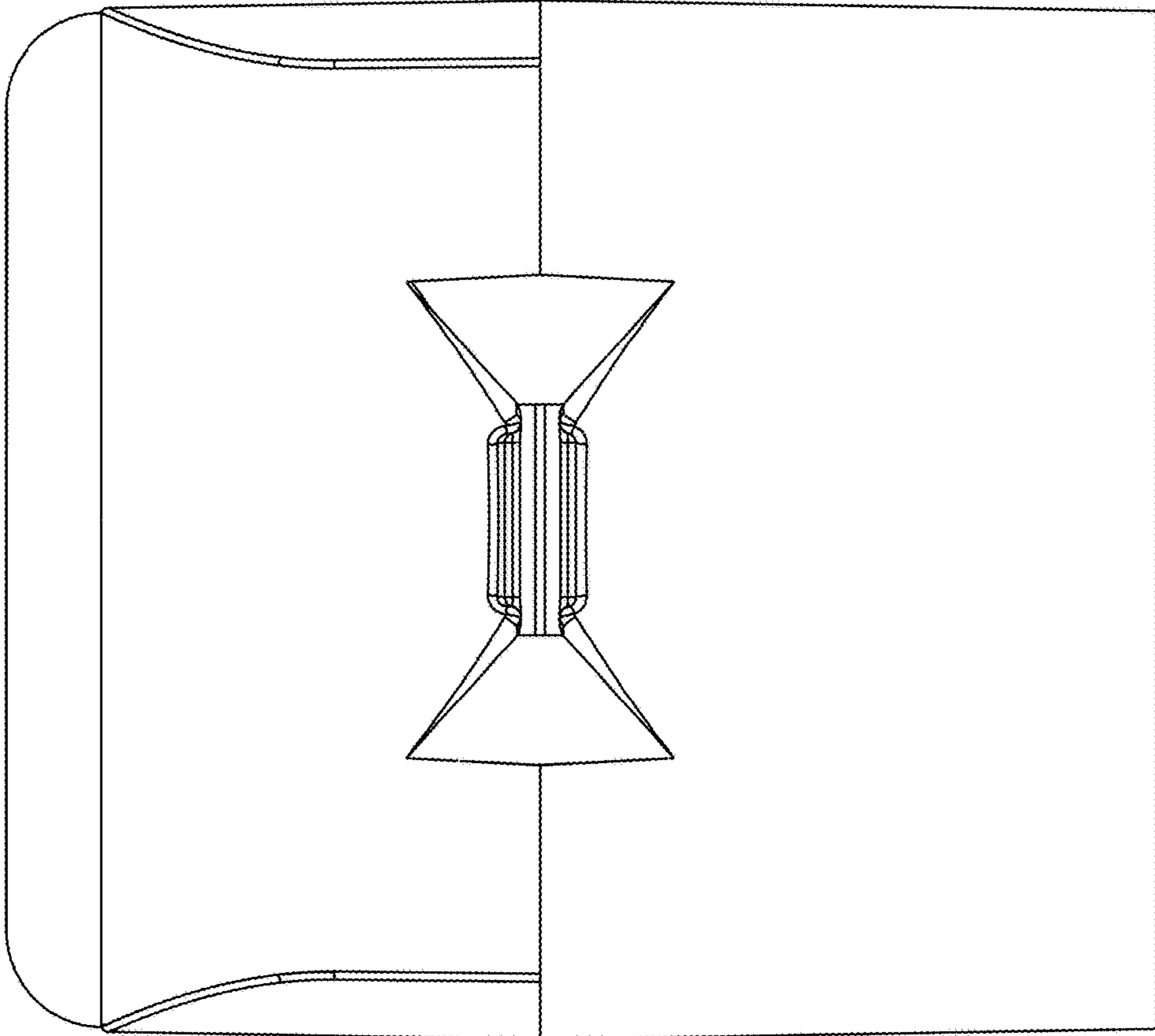


FIG. 5

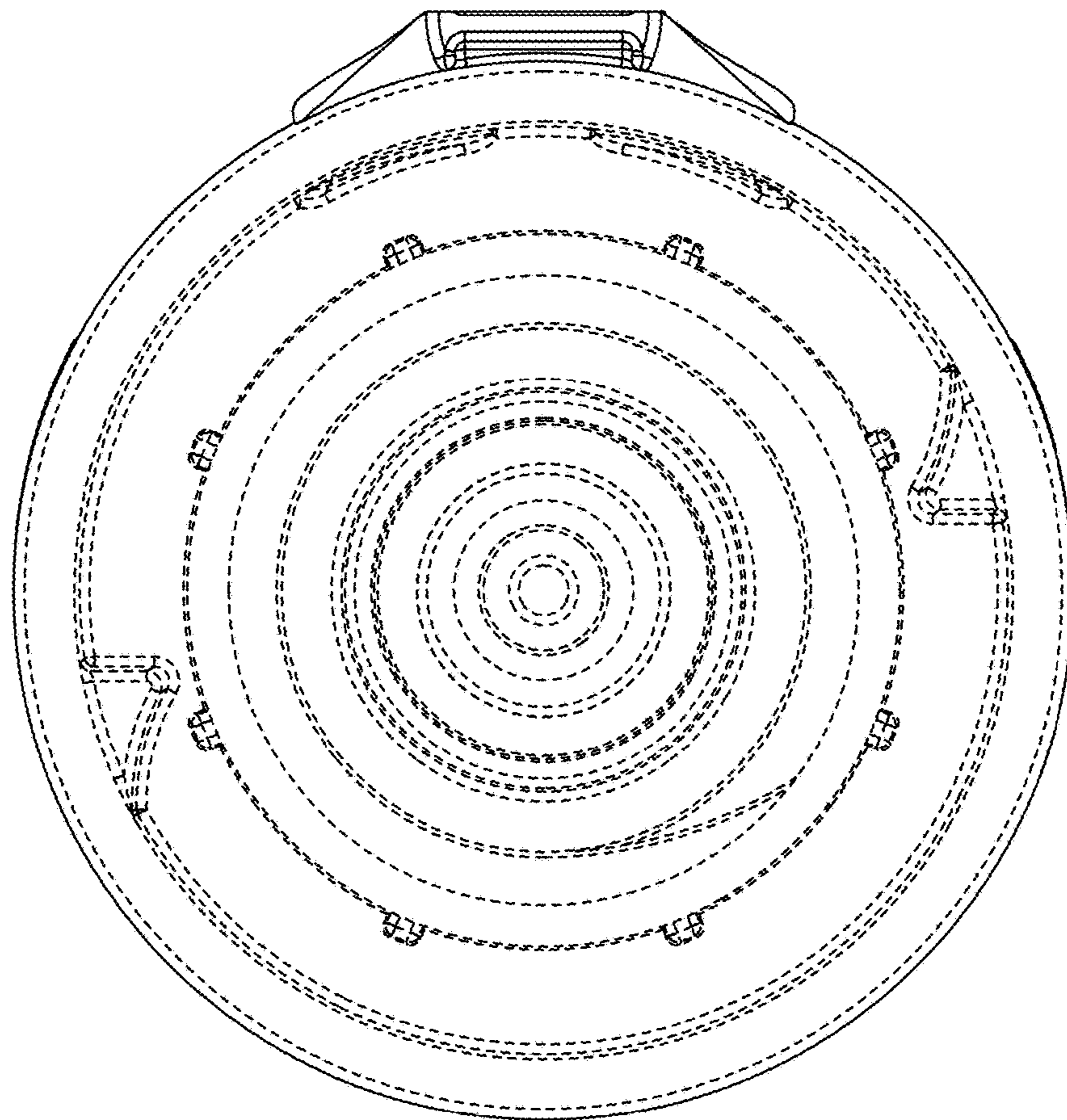


FIG. 6

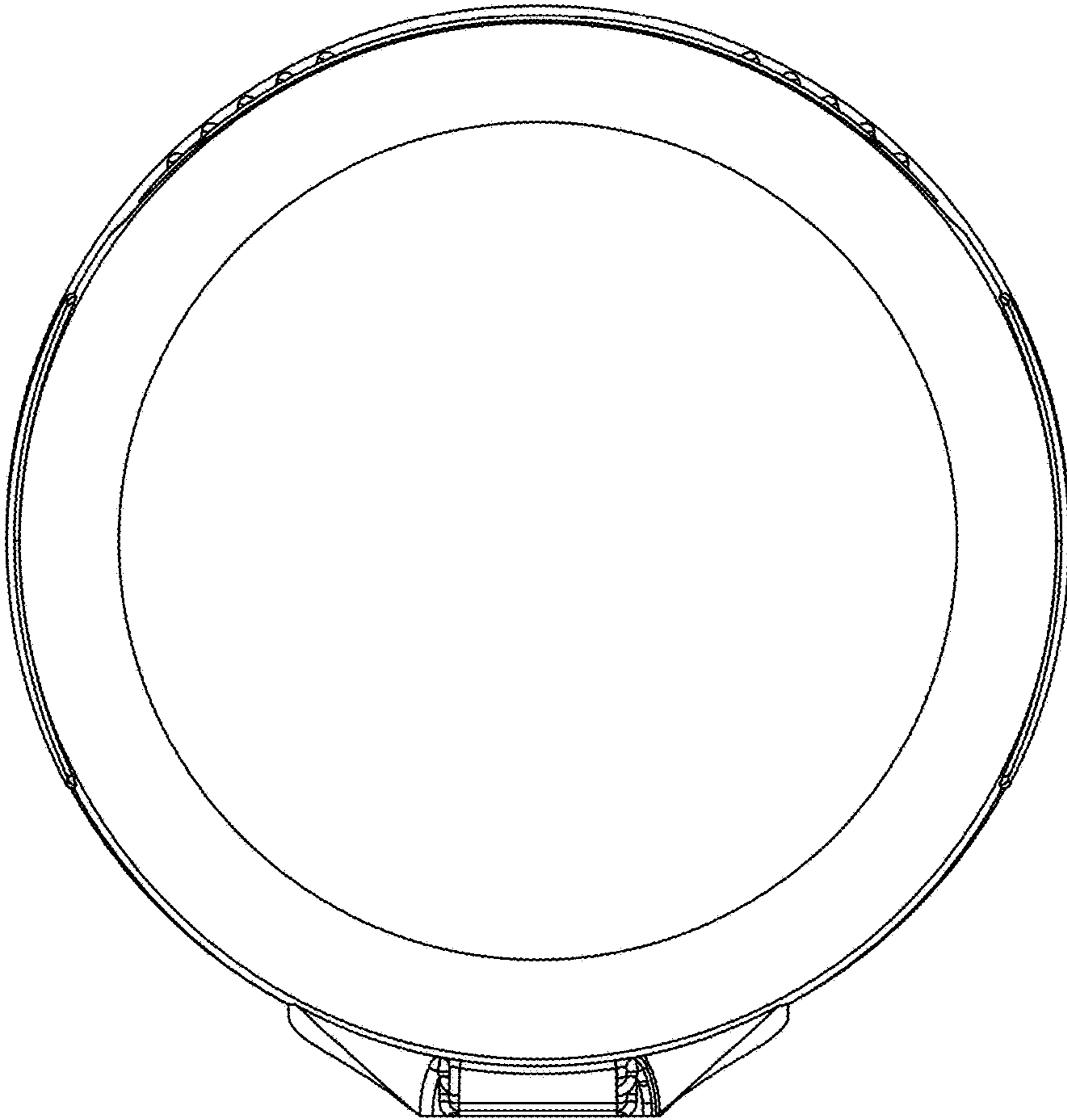


FIG. 7