



US00D853842S

(12) **United States Design Patent** (10) **Patent No.:** **US D853,842 S**
Yao (45) **Date of Patent:** **** Jul. 16, 2019**

(54) **BOTTLE LID**

(71) Applicant: **EVERICH AND TOMIC HOUSEWARES CO., LTD.**, Hangzhou, Zhejiang (CN)
(72) Inventor: **Huajun Yao**, Zhejiang (CN)
(73) Assignee: **EVERICH AND TOMIC HOUSEWARES CO., LTD.**, Jianggan District, Hangzhou, Zhejiang (CN)

(**) Term: **15 Years**

(21) Appl. No.: **29/644,436**

(22) Filed: **Apr. 17, 2018**

(30) **Foreign Application Priority Data**

Oct. 19, 2017 (CN) 2017 3 0499926

(51) **LOC (11) Cl.** **09-07**

(52) **U.S. Cl.**
USPC **D9/436; D9/439; D9/441; D9/443; D7/392.1; D21/468; D21/475**

(58) **Field of Classification Search**
USPC D9/414, 416, 425, 434, 435, 436, 438, D9/439, 440, 442, 443, 446-450, D9/452-457, 499, 503-505, 682, 685, D9/686, 441, 451, 600; D7/387, 391, D7/392, 392.1, 393, 394, 396.1-396.4, D7/401.1, 503-505, 509-511, 538, 900; D3/201, 202, 203.2, 318; D28/91, 91.1; D21/468, 475
CPC .. A61J 1/00; A61J 1/1412; B65D 1/00; B65D 1/02; B65D 1/10; B65D 1/46; B65D 2585/56; B65D 2585/545; B65D 41/00; B65D 41/38; B65D 41/56; B65D 41/62; B65D 47/00; B65D 47/06; B65D 47/08; B65D 2543/00046; B65D 2543/00092; B65D 2543/00296; B65D 5/46; B65D 2251/00

See application file for complete search history.

(56) **References Cited**

U.S. PATENT DOCUMENTS

D231,306 S *	4/1974	Breglia	D23/234
D240,062 S *	5/1976	Satten	D21/483
D278,070 S *	3/1985	Tapdrup	D21/475
D328,620 S *	8/1992	Maple	D21/483
5,277,325 A *	1/1994	Yan	B65D 55/145 215/206
D375,018 S *	10/1996	Goto	D9/439
5,803,110 A *	9/1998	Segal	E03B 9/02 137/305
D488,575 S *	4/2004	Aguilera	D26/40
D530,203 S *	10/2006	Li	D9/449
D536,967 S *	2/2007	Larimer	D9/436
D540,180 S *	4/2007	Edwards	D30/199
D579,772 S *	11/2008	Williams	D9/446

(Continued)

Primary Examiner — Michael A. Pratt

Assistant Examiner — Wendy L Arminio

(74) *Attorney, Agent, or Firm* — Global IP Services; Tianhua Gu

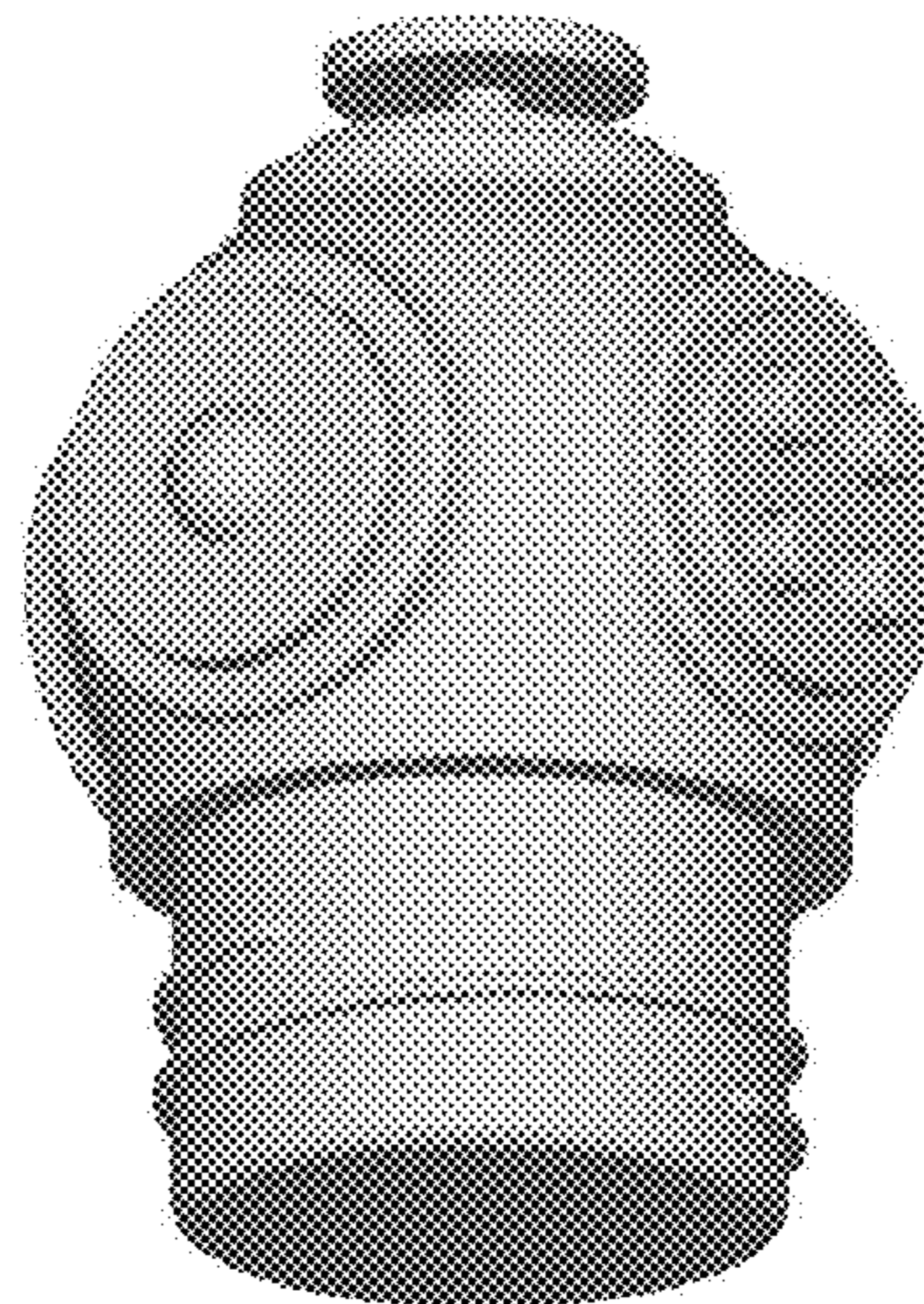
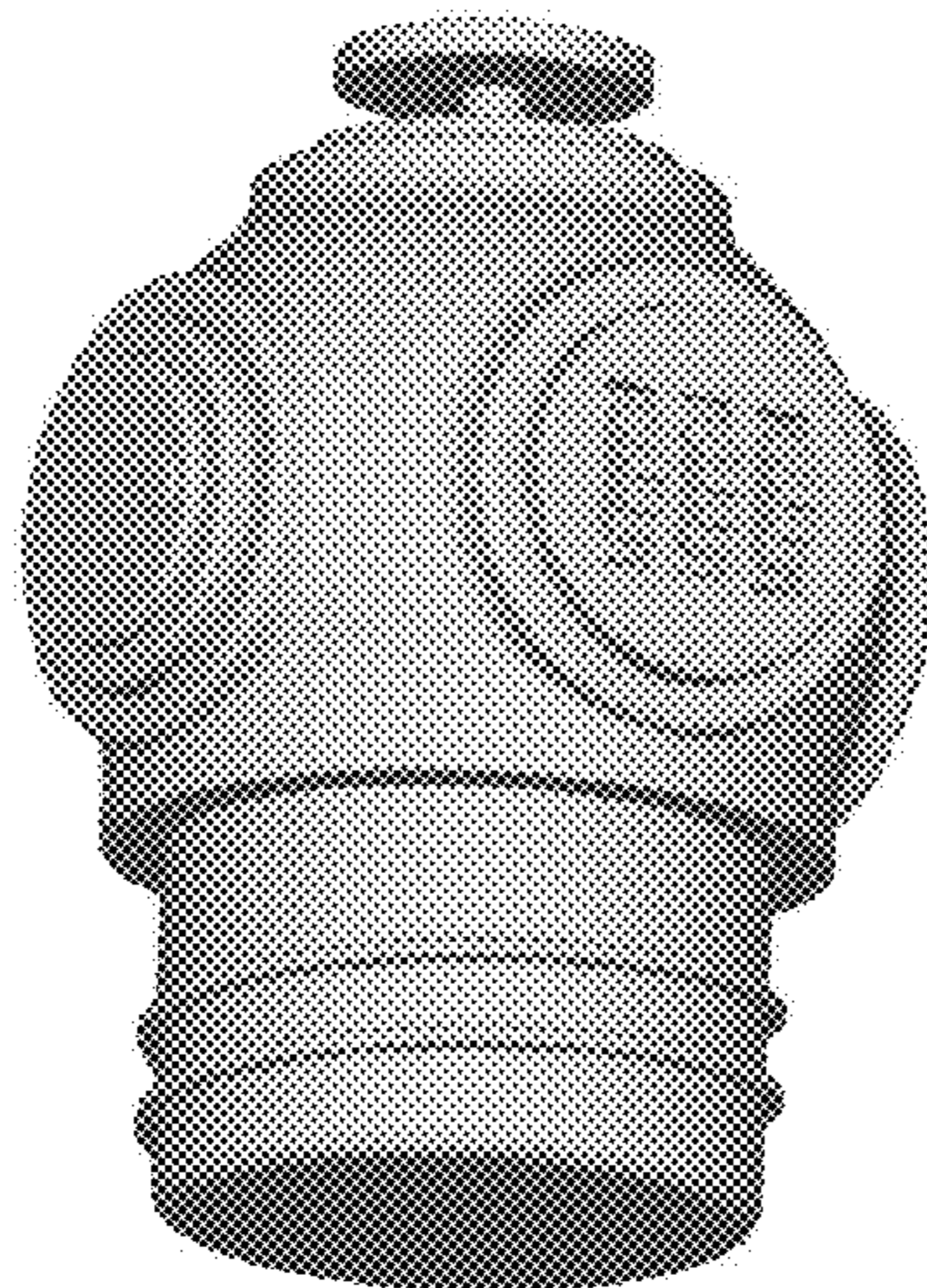
(57) **CLAIM**

The ornamental design for a bottle lid, as shown and described.

DESCRIPTION

FIG. 1 is a front elevational view of a bottle lid, showing my new design;
FIG. 2 is a rear elevational view thereof;
FIG. 3 is a left side elevational view thereof;
FIG. 4 is a right side elevational view thereof;
FIG. 5 is a bottom plan view thereof;
FIG. 6 is a top plan view thereof;
FIG. 7 is a rear left perspective view thereof;
FIG. 8 is a front left perspective view thereof; and,
FIG. 9 is right rear perspective view thereof.

1 Claim, 9 Drawing Sheets



(56)

References Cited

U.S. PATENT DOCUMENTS

D618,555 S *	6/2010	Adams	D9/600
D661,945 S *	6/2012	Eyal	D7/392.1
D739,196 S *	9/2015	Mohr	D8/38
D775,951 S *	1/2017	Wang	D7/392.1
D819,395 S *	6/2018	Yu	D7/391
D829,828 S *	10/2018	McLachlan	D21/468
D839,361 S *	1/2019	Lederer	D21/455
2016/0198877 A1 *	7/2016	Ni	A47G 19/2227 455/575.1

* cited by examiner

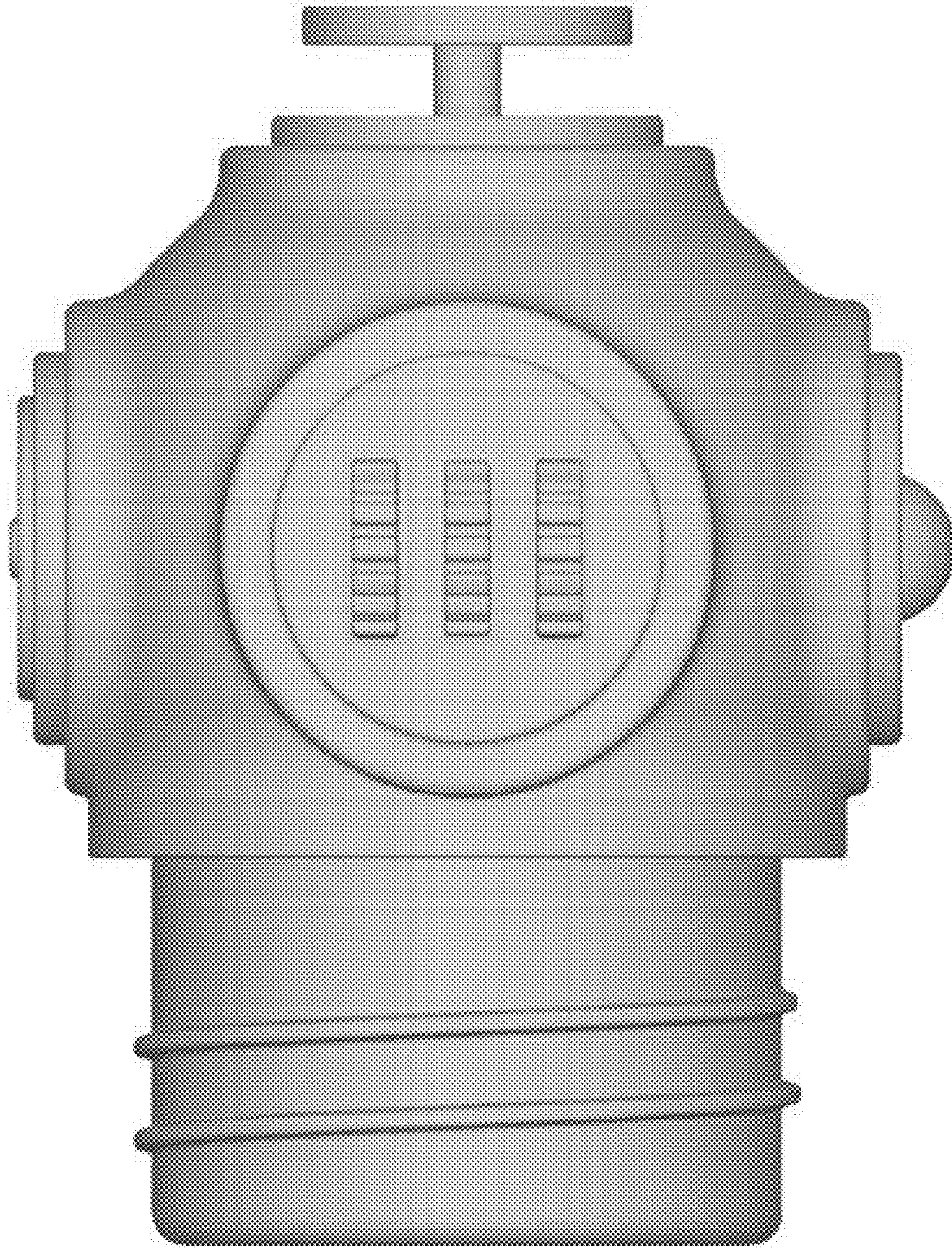


FIG. 1

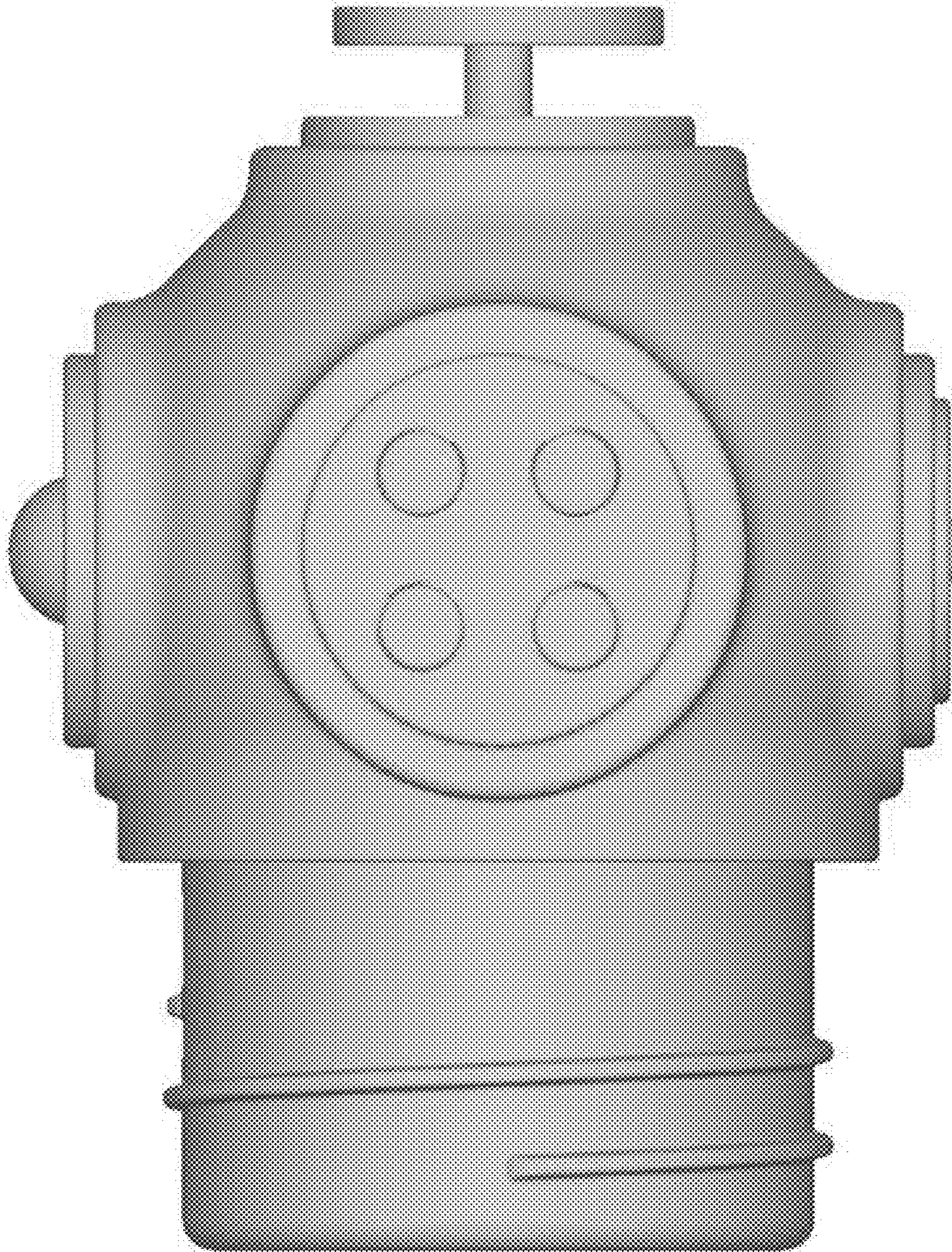


FIG. 2

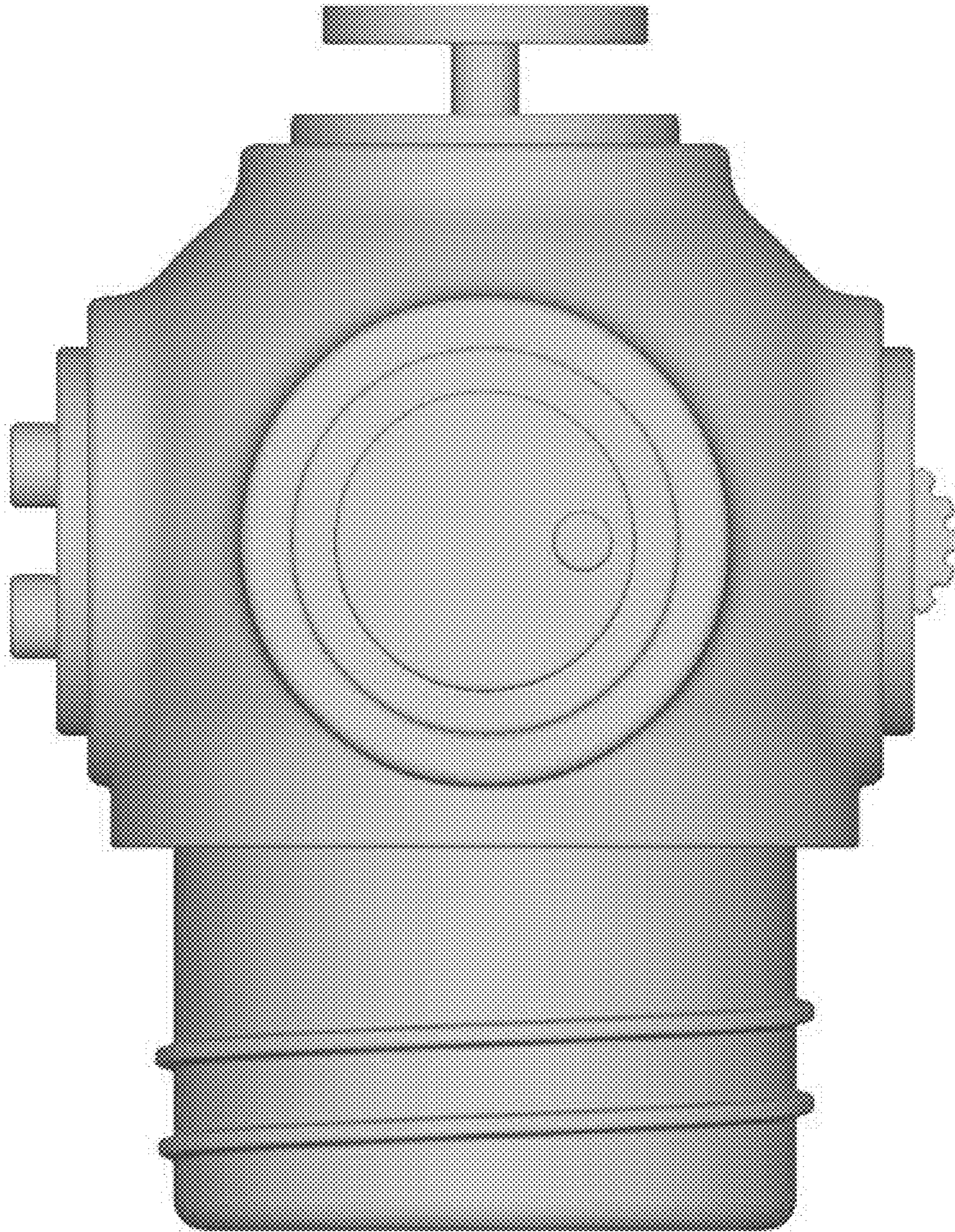


FIG. 3

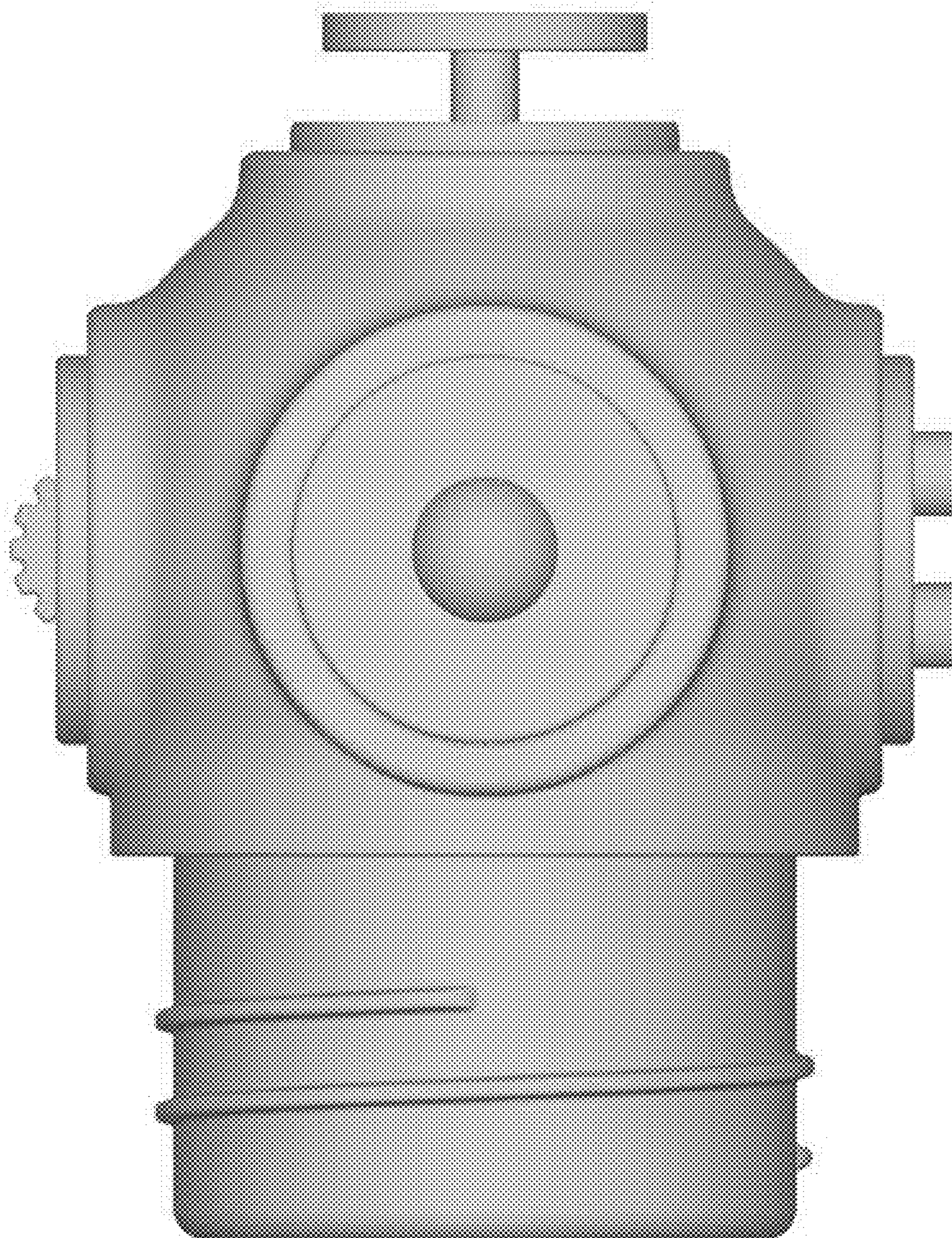


FIG. 4

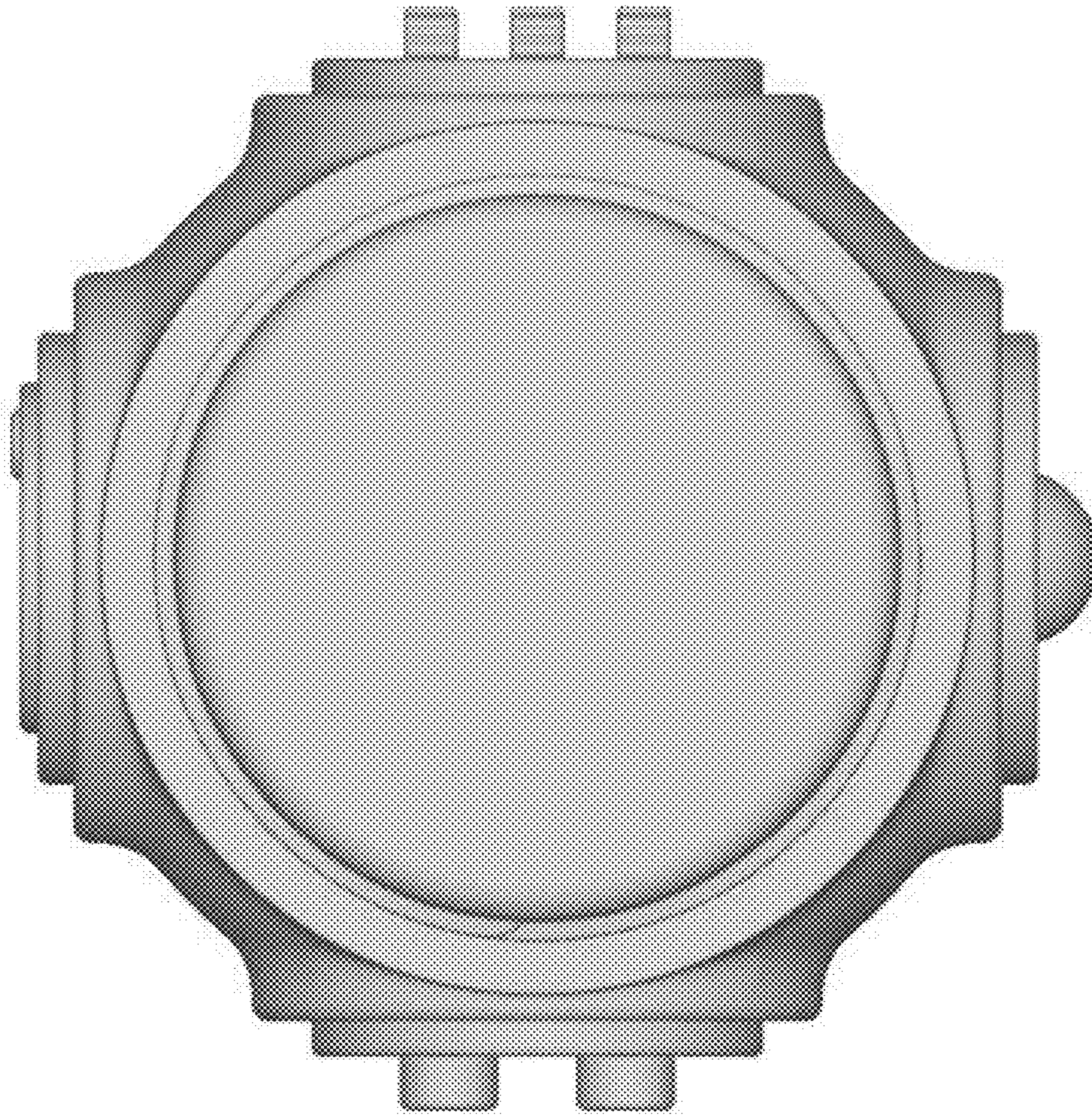


FIG. 5

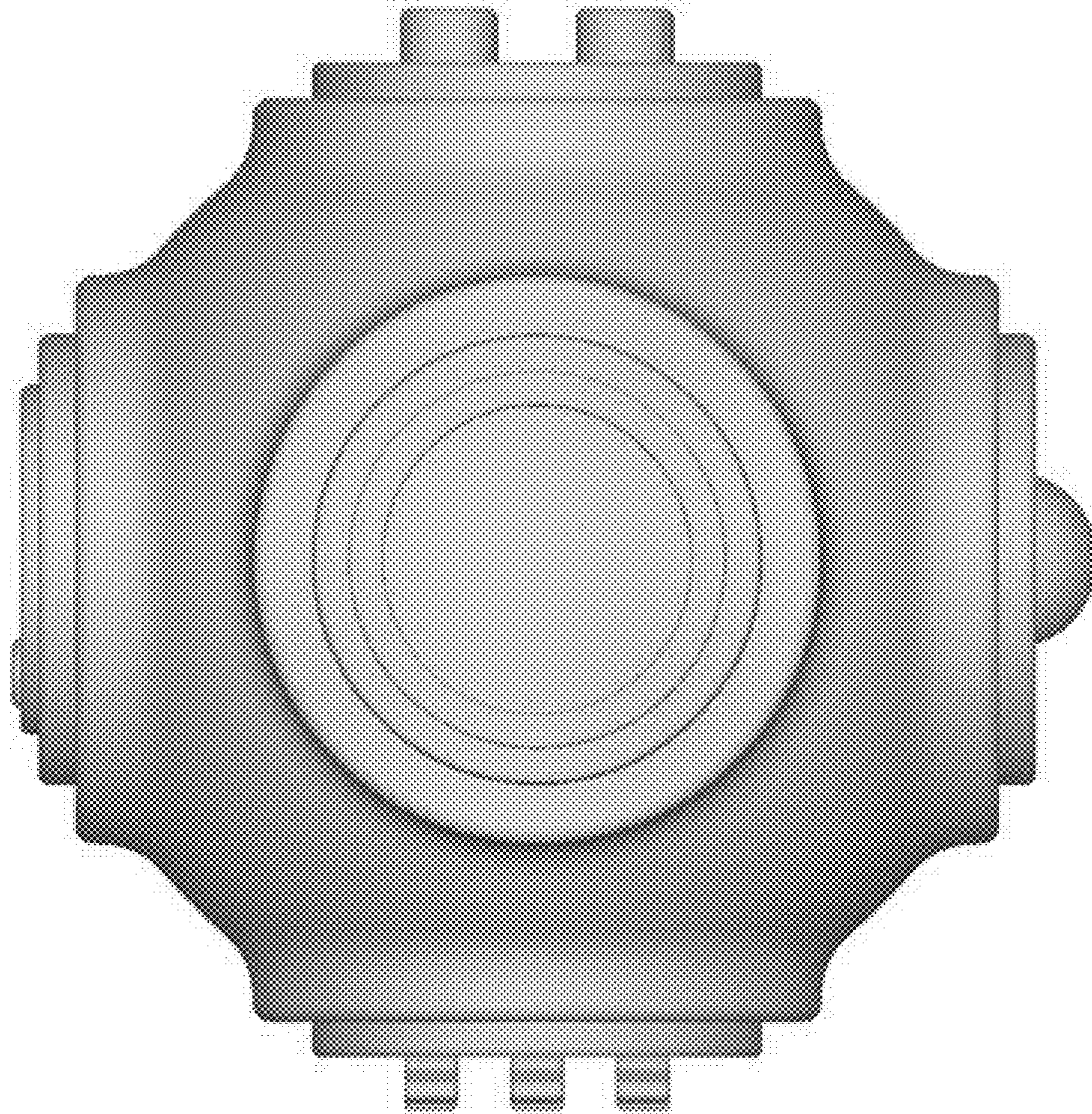


FIG. 6

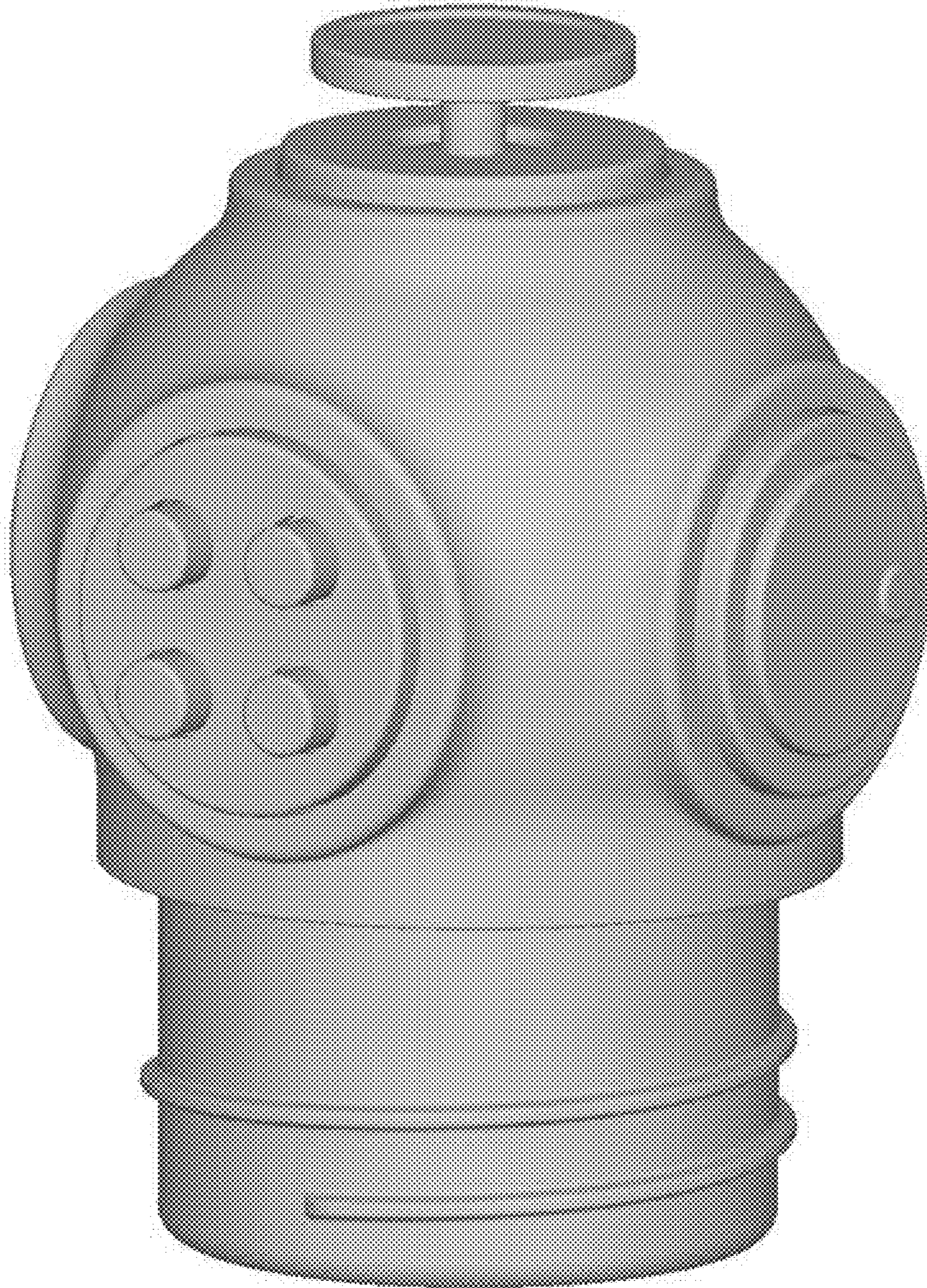


FIG. 7



FIG. 8

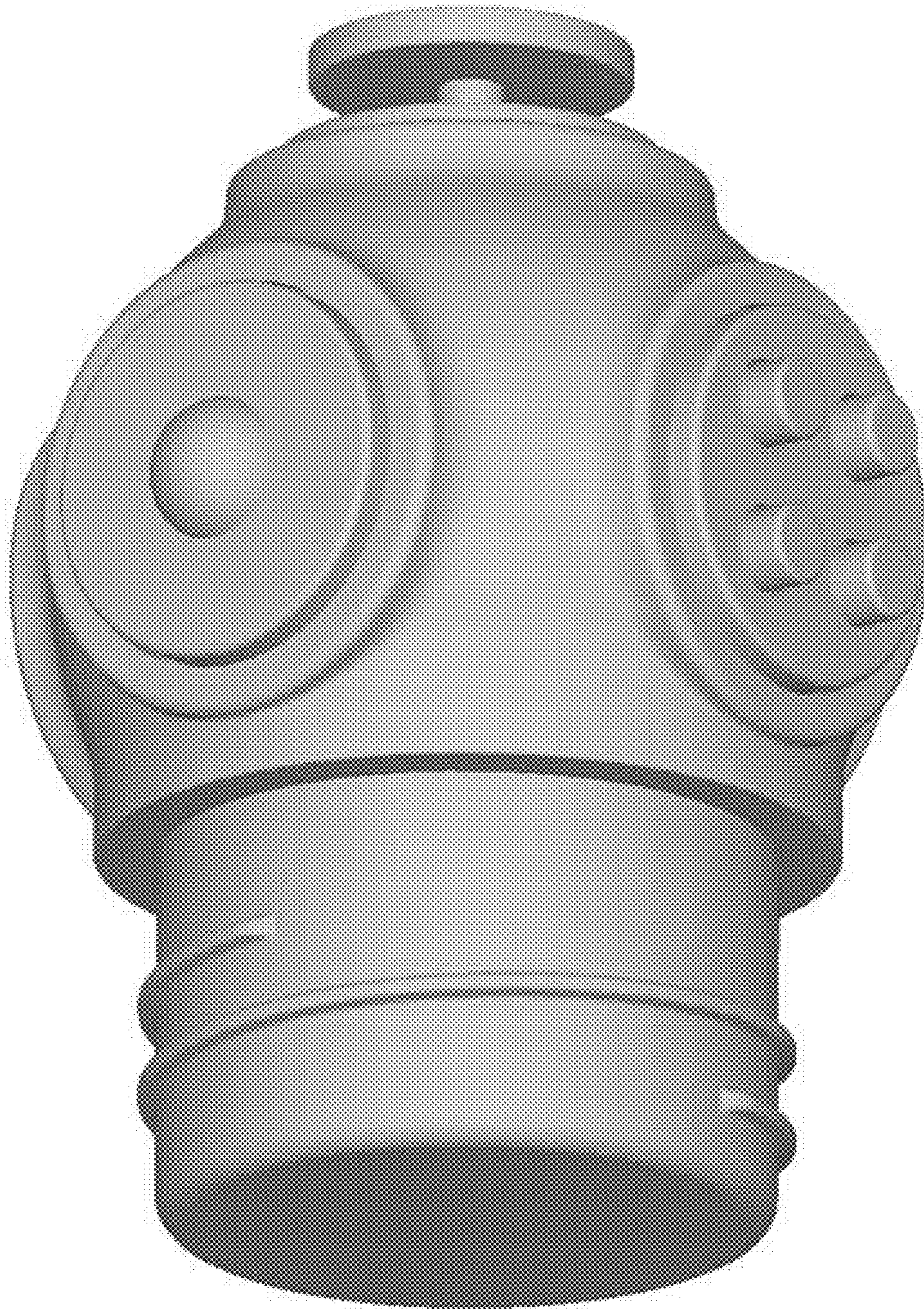


FIG. 9