



US00D853835S

(12) **United States Design Patent**  
**Ang et al.**

(10) **Patent No.:** **US D853,835 S**

(45) **Date of Patent:** **\*\* Jul. 16, 2019**

(54) **PRODUCT PACKAGING**

(71) Applicant: **Creative Technology Ltd**, Singapore  
(SG)

(72) Inventors: **Huang Pheng Vince Ang**, Singapore  
(SG); **Mei San Gigi Cho**, Singapore  
(SG)

(73) Assignee: **Creative Technology Ltd**, Singapore  
(SG)

(\*\*) Term: **15 Years**

(21) Appl. No.: **29/537,591**

(22) Filed: **Aug. 27, 2015**

(30) **Foreign Application Priority Data**

Aug. 4, 2015 (SG) ..... 30201501342U

(51) **LOC (11) Cl.** ..... **09-03**

(52) **U.S. Cl.**  
USPC ..... **D9/420**

(58) **Field of Classification Search**

USPC ..... D9/414, 420-426, 427, 432, 601, 463,  
D9/465, 615, 619, 687, 691, 703, 715,  
D9/717, 721, 737, 743, 756, 757, 761,  
D9/762, 776, 777, 781-783; D7/550,  
D7/555, 560-562, 589-591, 601, 602,  
D7/605, 608, 612-615, 628, 629, 703,  
D7/709, 541, 553.1, 630, 701, 707, 708;  
D3/218, 248, 251, 294, 302, 314, 324;  
D6/542; D28/82; 220/4.21-4.23, 200,  
220/315, 337, 389, 602-609, 669, 675,  
220/835-839; 206/119, 216, 389, 464,  
206/470, 508; 426/396, 118; 381/334;  
D14/215

CPC ..... B65D 43/08; B65D 85/34; B65D 1/165  
See application file for complete search history.

(56) **References Cited**

**U.S. PATENT DOCUMENTS**

D342,808 S \* 12/1993 Bakic ..... D28/82  
D408,590 S \* 4/1999 Litton ..... D28/82

D432,017 S \* 10/2000 Alvarado ..... D28/76  
D439,376 S \* 3/2001 Lerolle ..... D28/82  
D460,218 S \* 7/2002 Thorpe ..... D28/82  
D488,142 S \* 4/2004 Wang ..... D14/138 AB  
D507,078 S \* 7/2005 Greenfield ..... D28/82  
D511,895 S \* 11/2005 Vish ..... D3/318  
D546,670 S \* 7/2007 Sainz ..... D9/420  
D550,077 S \* 9/2007 Lagreca ..... D9/428

(Continued)

**OTHER PUBLICATIONS**

“Chantecaille, Compact Makeup”, posted 2015 [online], [retrieved Feb. 15, 2018]. Retrieved from internet, <https://www.meccabeauty.co.nz/chantecaille/compact-makeup/V-007990.html>.\*

*Primary Examiner* — Barbara Fox

*Assistant Examiner* — Mehri F Bajoul

(74) *Attorney, Agent, or Firm* — Russell Swerdon;  
Desmund Gean

(57) **CLAIM**

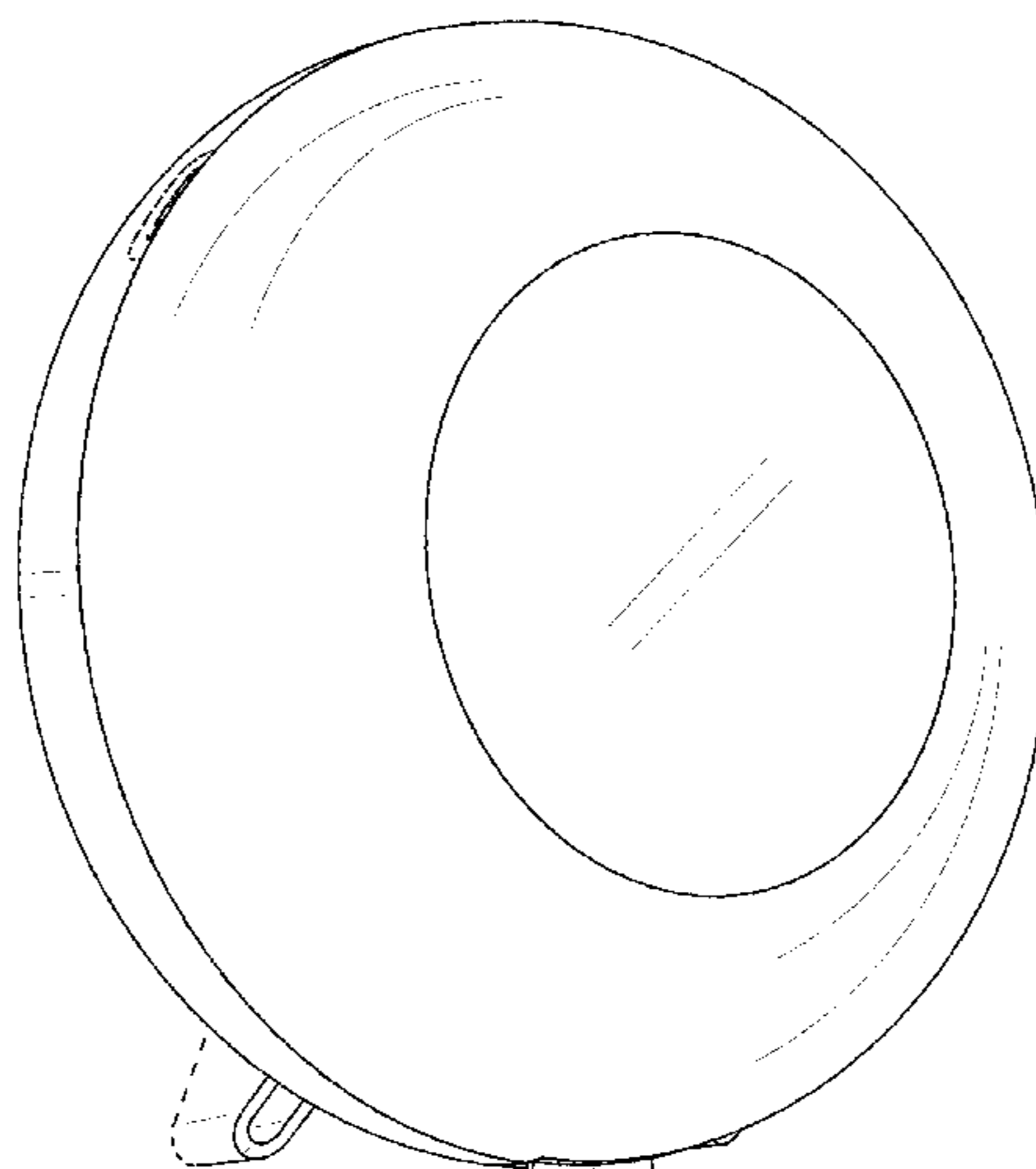
The ornamental design for a product packaging, as shown and described.

**DESCRIPTION**

FIG. 1 is a front bottom left side perspective view of a product packaging showing our new design;  
FIG. 2 is a rear top left side perspective view thereof;  
FIG. 3 is a front elevational view thereof;  
FIG. 4 is a rear elevational view thereof;  
FIG. 5 is a left side elevational view thereof;  
FIG. 6 is a right side elevational view thereof;  
FIG. 7 is a top plan view thereof; and,  
FIG. 8 is a bottom plan view thereof.

The broken lines shown in the drawings depict portions of the product packaging that form no part of the claimed design.

**1 Claim, 8 Drawing Sheets**



(56)

## References Cited

## U.S. PATENT DOCUMENTS

D561,470	S	*	2/2008	Jalet	.....	D3/294
D562,133	S	*	2/2008	Liebe	.....	D9/449
D578,711	S	*	10/2008	Burrow	.....	D28/82
D592,956	S	*	5/2009	Thiellier	.....	D28/82
D599,953	S	*	9/2009	Gibson	.....	D27/190
D603,704	S	*	11/2009	Jost	.....	D9/449
D620,256	S	*	7/2010	Fujimura	.....	D3/294
D623,904	S	*	9/2010	Vordenberg	.....	D7/612
D626,289	S	*	10/2010	Lee	.....	D28/82
D645,616	S	*	9/2011	Wells	.....	D28/82
D681,877	S	*	5/2013	Curry	.....	D28/7
D697,800	S	*	1/2014	Villarreal	.....	D28/82
D707,567	S	*	6/2014	Callaghan	.....	D9/730
D708,940	S	*	7/2014	Juna	.....	D9/420
D722,502	S	*	2/2015	Landrum	.....	D9/449
D724,786	S	*	3/2015	Jung	.....	D28/82
D732,740	S	*	6/2015	Yoon	.....	D28/82
D751,904	S	*	3/2016	Landrum	.....	D9/449
D767,986	S	*	10/2016	Epstein	.....	D3/289
D768,114	S	*	10/2016	Hou	.....	D13/168
D788,371	S	*	5/2017	Lee	.....	D28/82
D806,711	S	*	1/2018	Sakaguchi	.....	D14/388
2009/0095314	A1	*	4/2009	Lund	.....	A45D 19/0008 132/208

\* cited by examiner

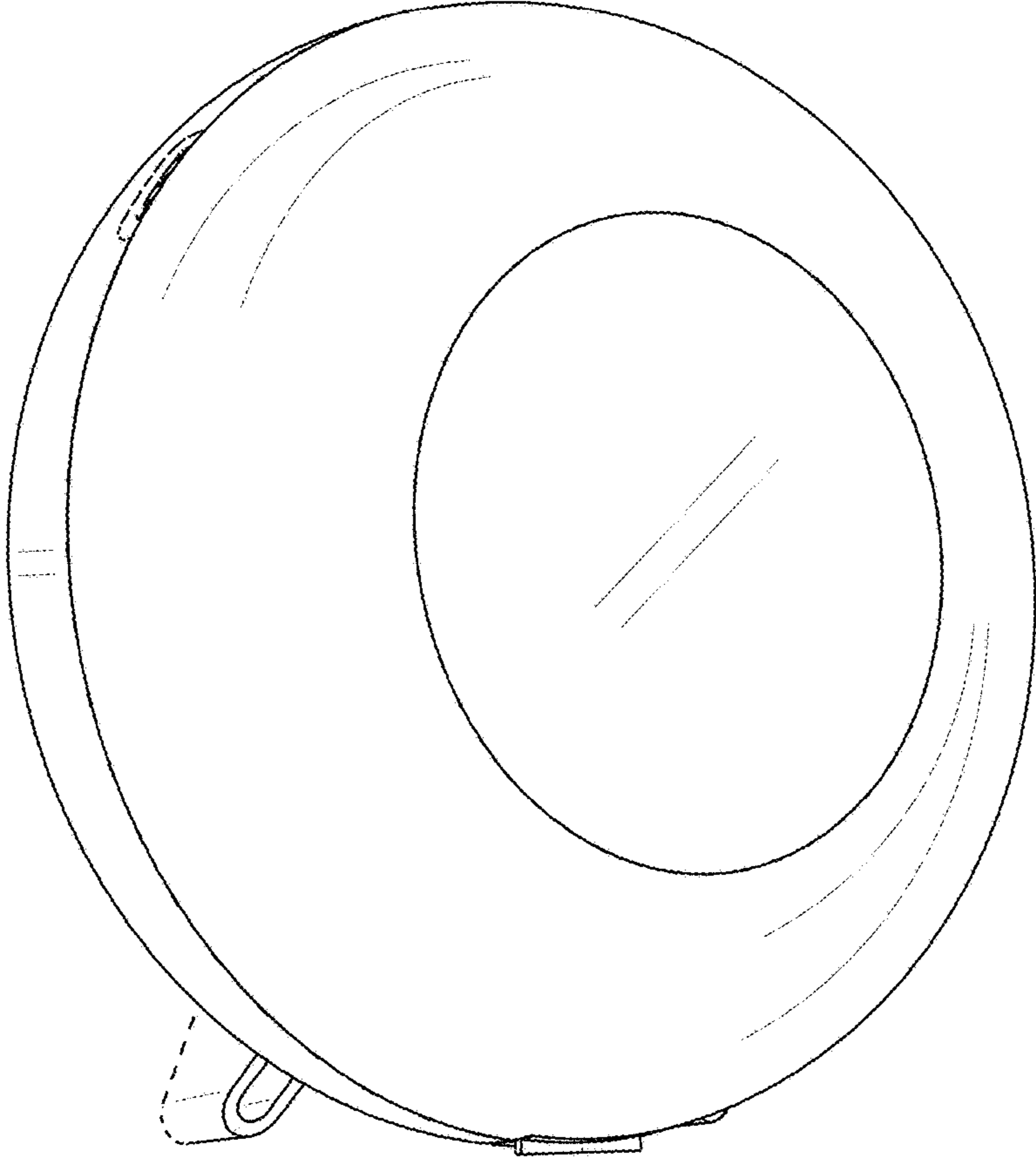


FIG. 1

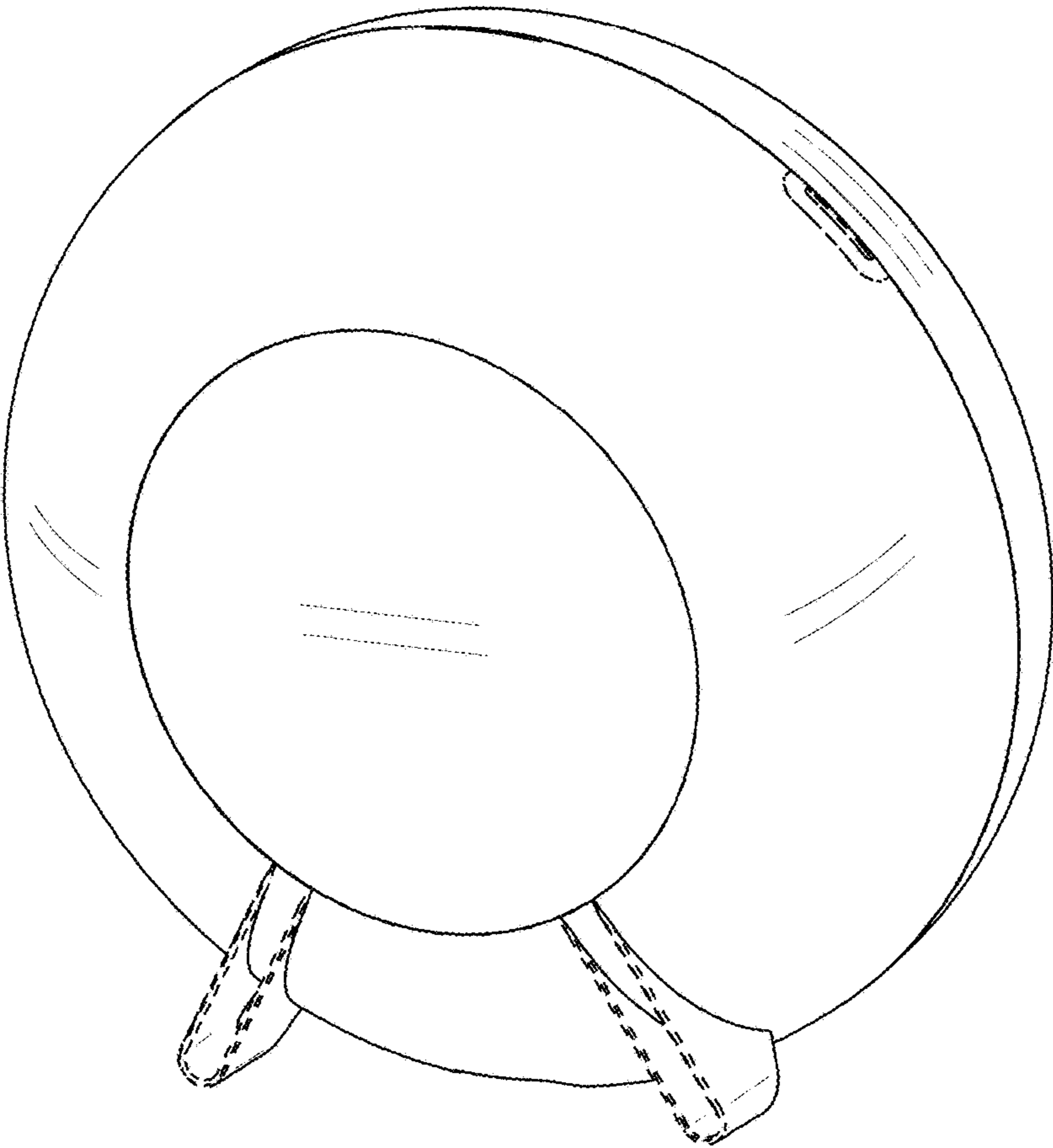


FIG. 2

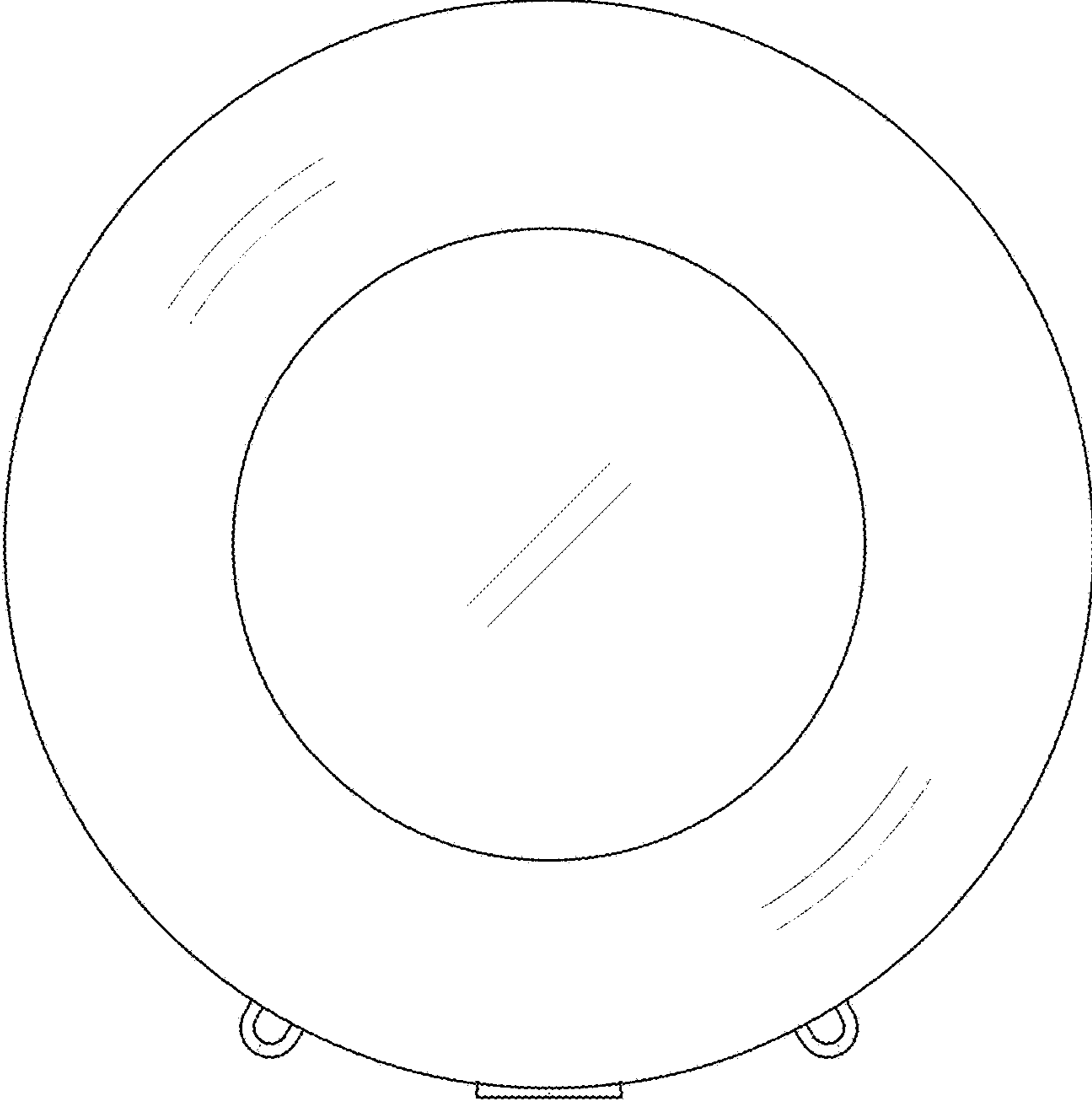


FIG. 3

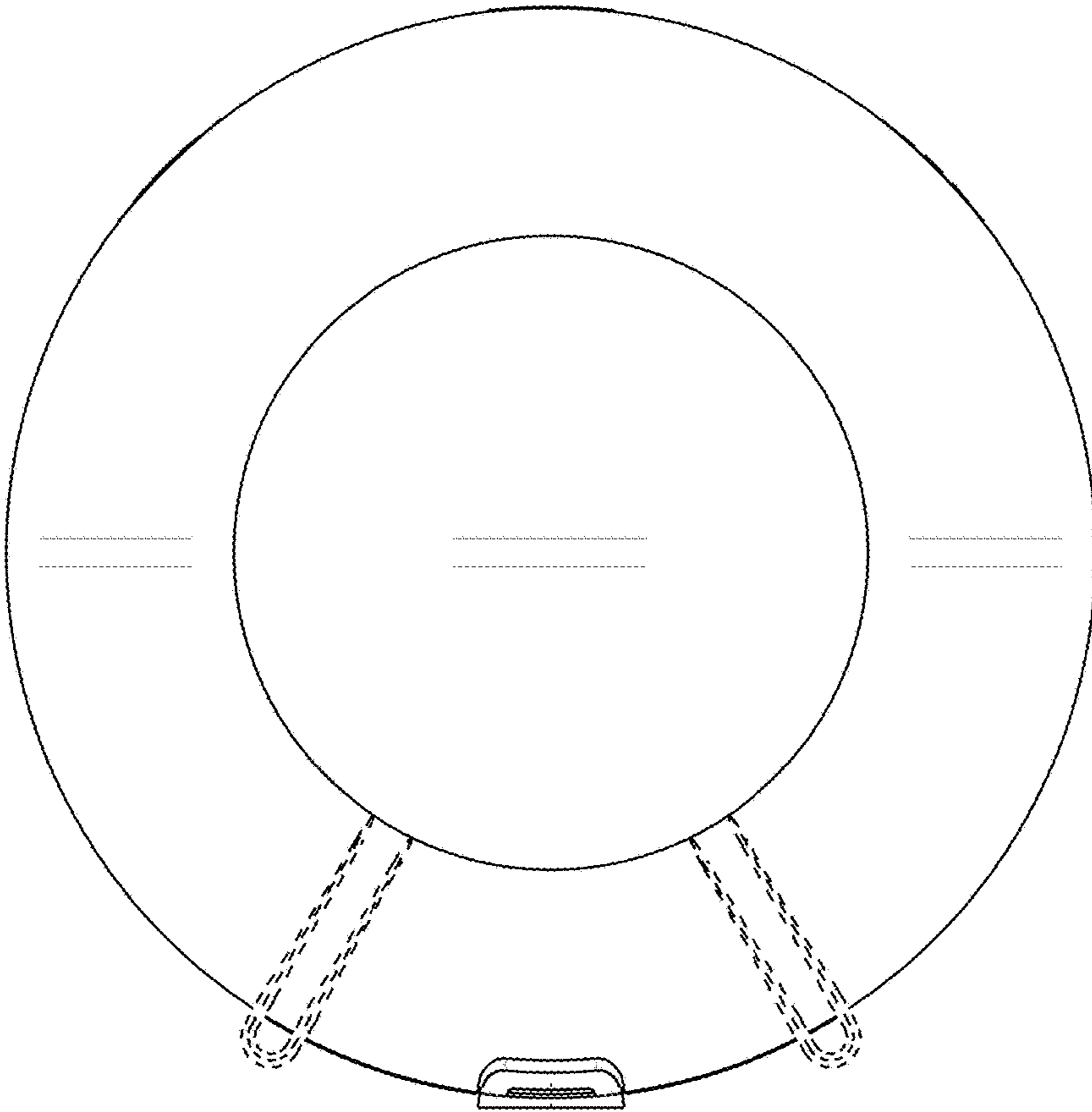


FIG. 4

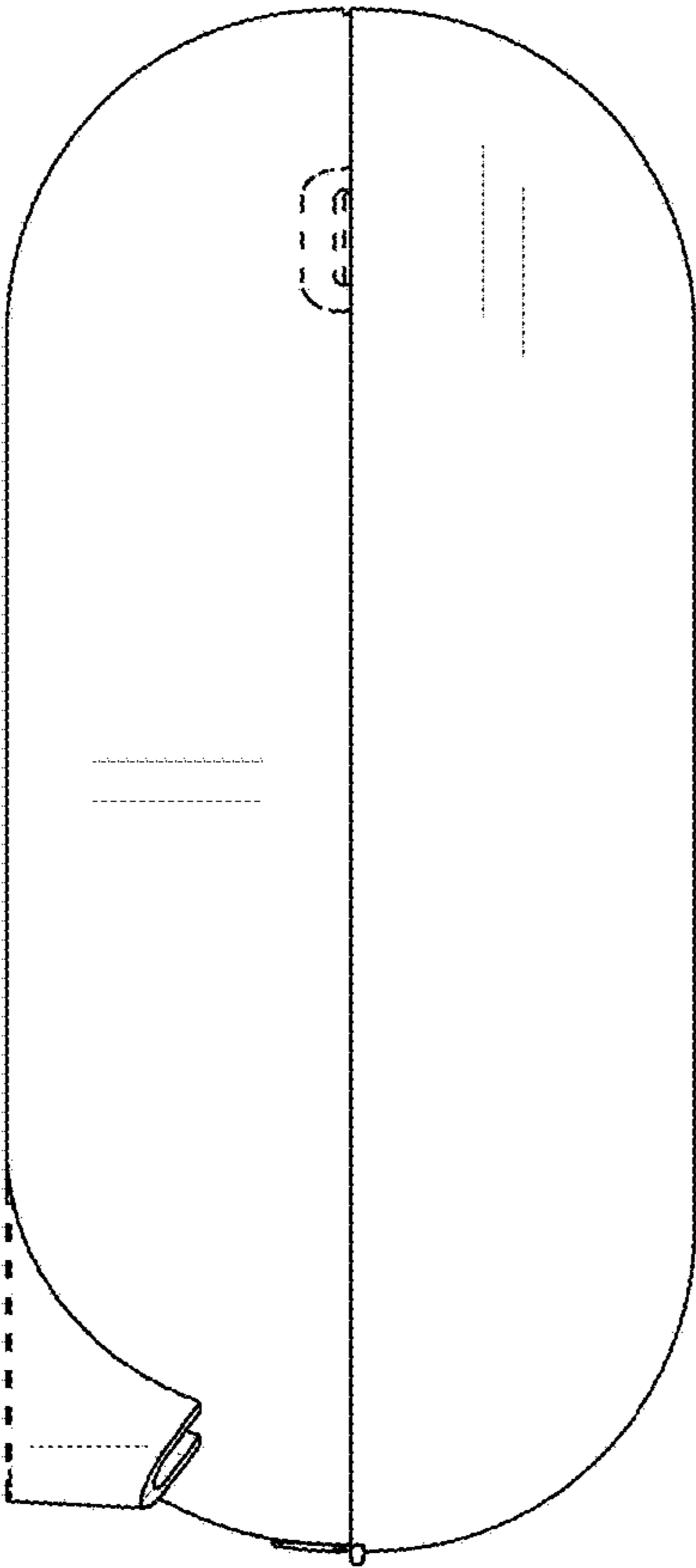


FIG. 5

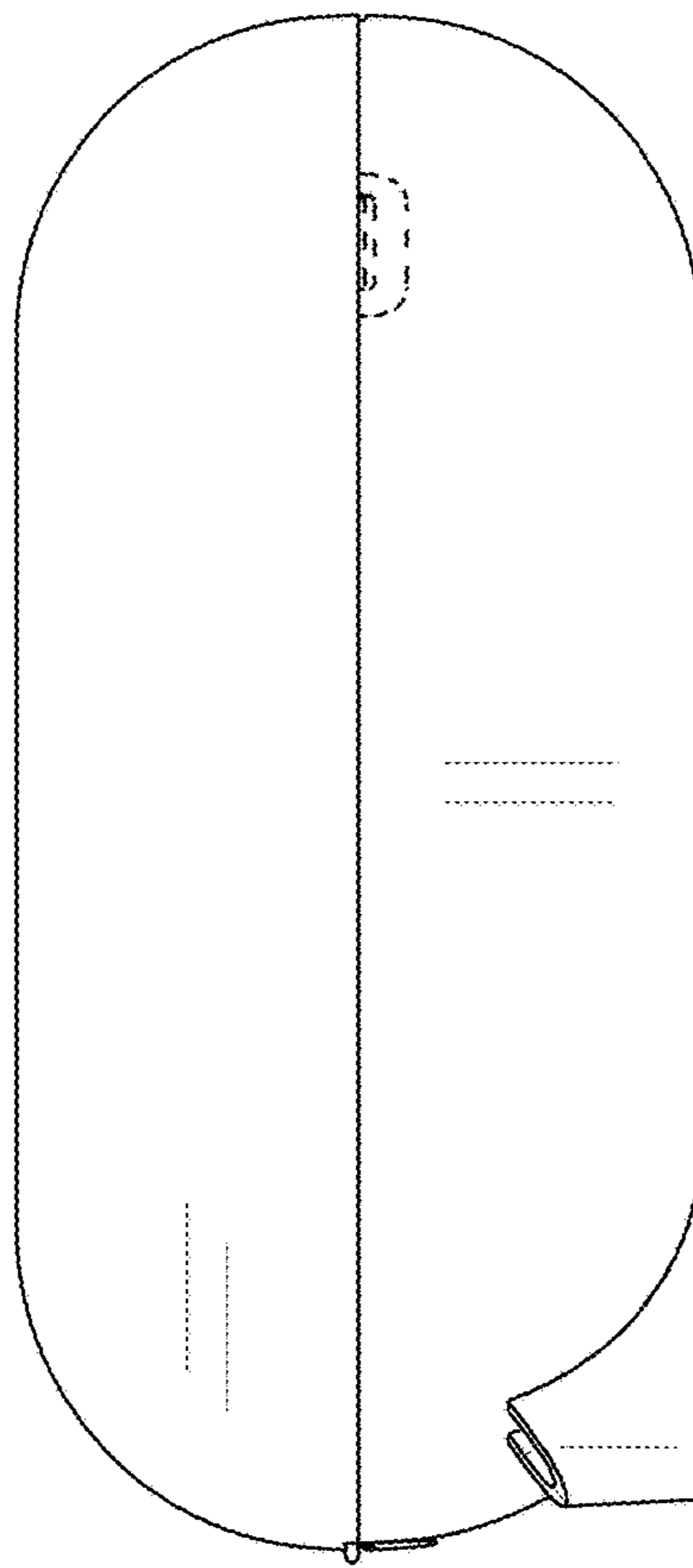


FIG. 6



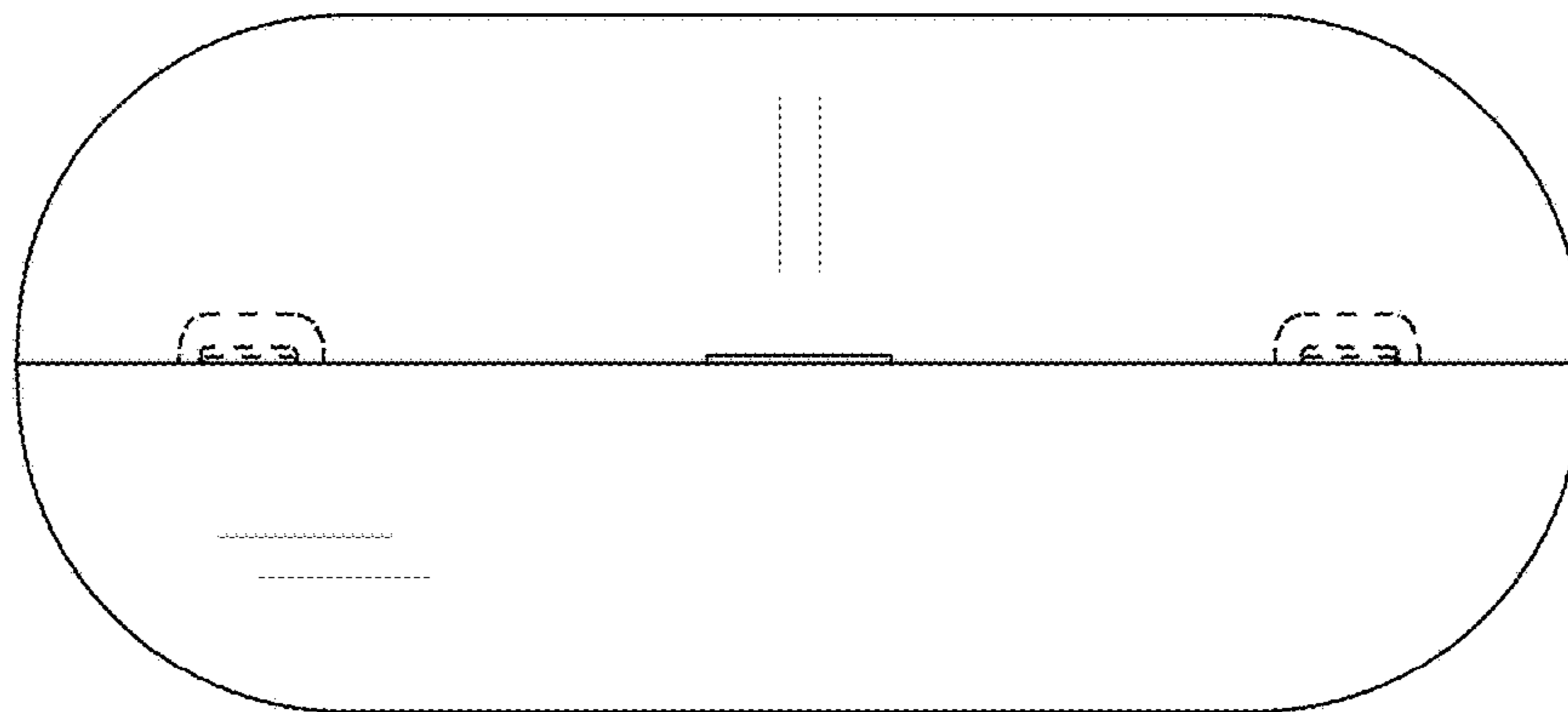


FIG. 7

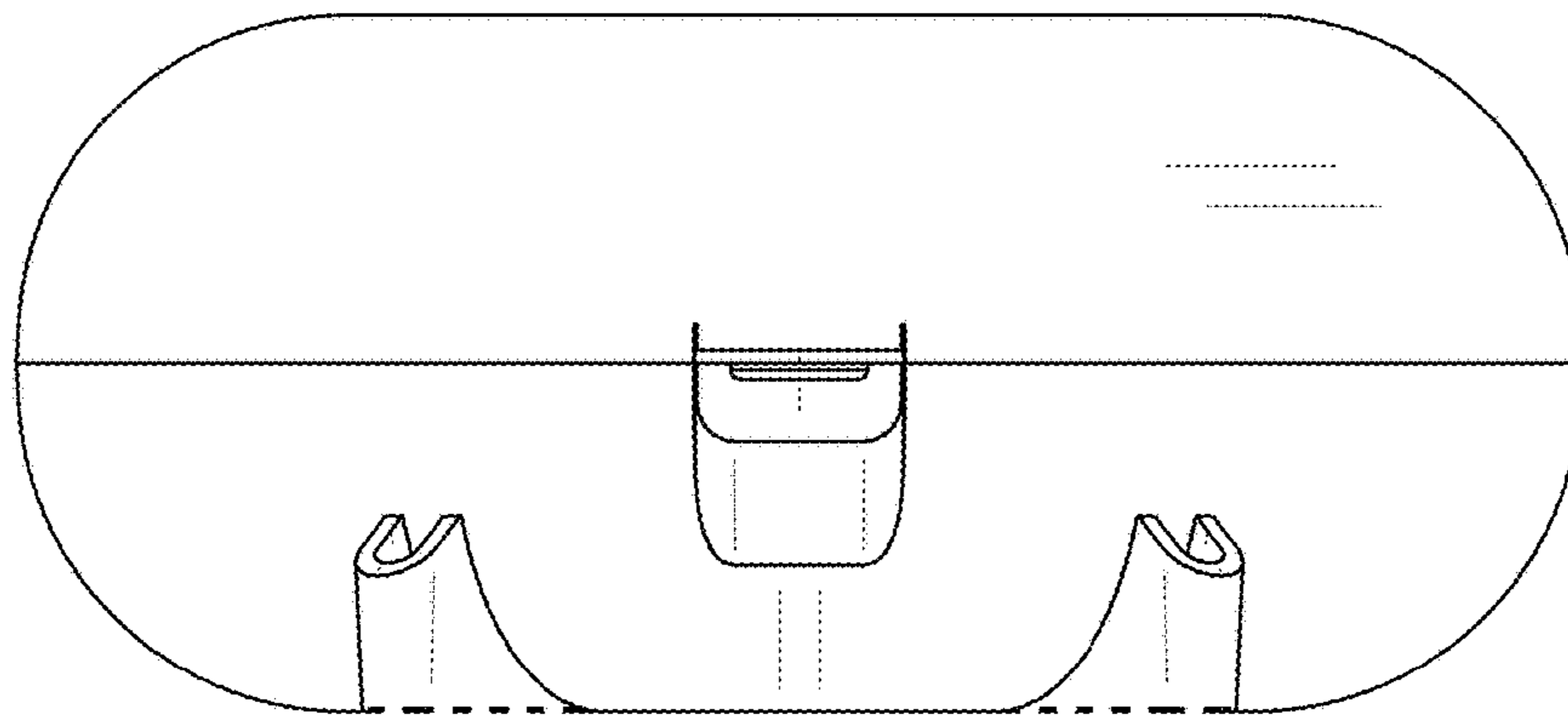


FIG. 8