



US00D853833S

(12) **United States Design Patent**
Stanley

(10) **Patent No.:** **US D853,833 S**
(45) **Date of Patent:** **** Jul. 16, 2019**

- (54) **CORNER PROTECTOR**
- (71) Applicant: **SAFELoad SA**, Honeydew OT (ZA)
- (72) Inventor: **Stephen Stanley**, Olivedale (ZA)
- (73) Assignee: **SafeLoad USA, Inc.**, South Lyon, MI (US)
- (**) Term: **15 Years**
- (21) Appl. No.: **29/639,027**
- (22) Filed: **Mar. 2, 2018**
- (51) **LOC (11) Cl.** **08-09**
- (52) **U.S. Cl.**
USPC **D8/403**
- (58) **Field of Classification Search**
USPC D6/648, 648.1, 641, 675, 675.2, 691, D6/692.6, 699.4, 702, 703, 707, 707.26, D6/707.24; 108/27; 52/717.01, 741.3, 52/287.1; 16/404, 82, 83, 86 A, 86 B, 16/86 R; D8/400-499; D25/58, 121, D25/136, 164, 199, 119; 312/215, 271, 312/289, 290, 312, 328, 330.1, 332, 312/334.1, 345.4, 400, 334.7, 350, 351, 312/332.1, 334.44
CPC .. E05F 5/06; E05Y 2900/531; E05Y 2201/21; E05C 17/203; E05C 17/36
See application file for complete search history.

- 3,922,408 A * 11/1975 Smith A47B 95/043 248/345.1
- 4,120,441 A * 10/1978 Hurley B65D 5/5088 206/453
- D542,127 S * 5/2007 Carr D8/403
- 7,383,952 B2 * 6/2008 Kruelle B65D 81/053 206/453
- 8,443,975 B2 * 5/2013 Butch, Jr. B65D 81/054 206/453
- D771,485 S * 11/2016 Bartleet D8/403
- 9,764,527 B2 * 9/2017 D'Anglade B65D 81/054

* cited by examiner

Primary Examiner — Janice Hallmark
Assistant Examiner — Harold E Blackwell, II
(74) *Attorney, Agent, or Firm* — Quinn IP Law

(57) **CLAIM**

I claim the ornamental design for a corner protector, as shown and described.

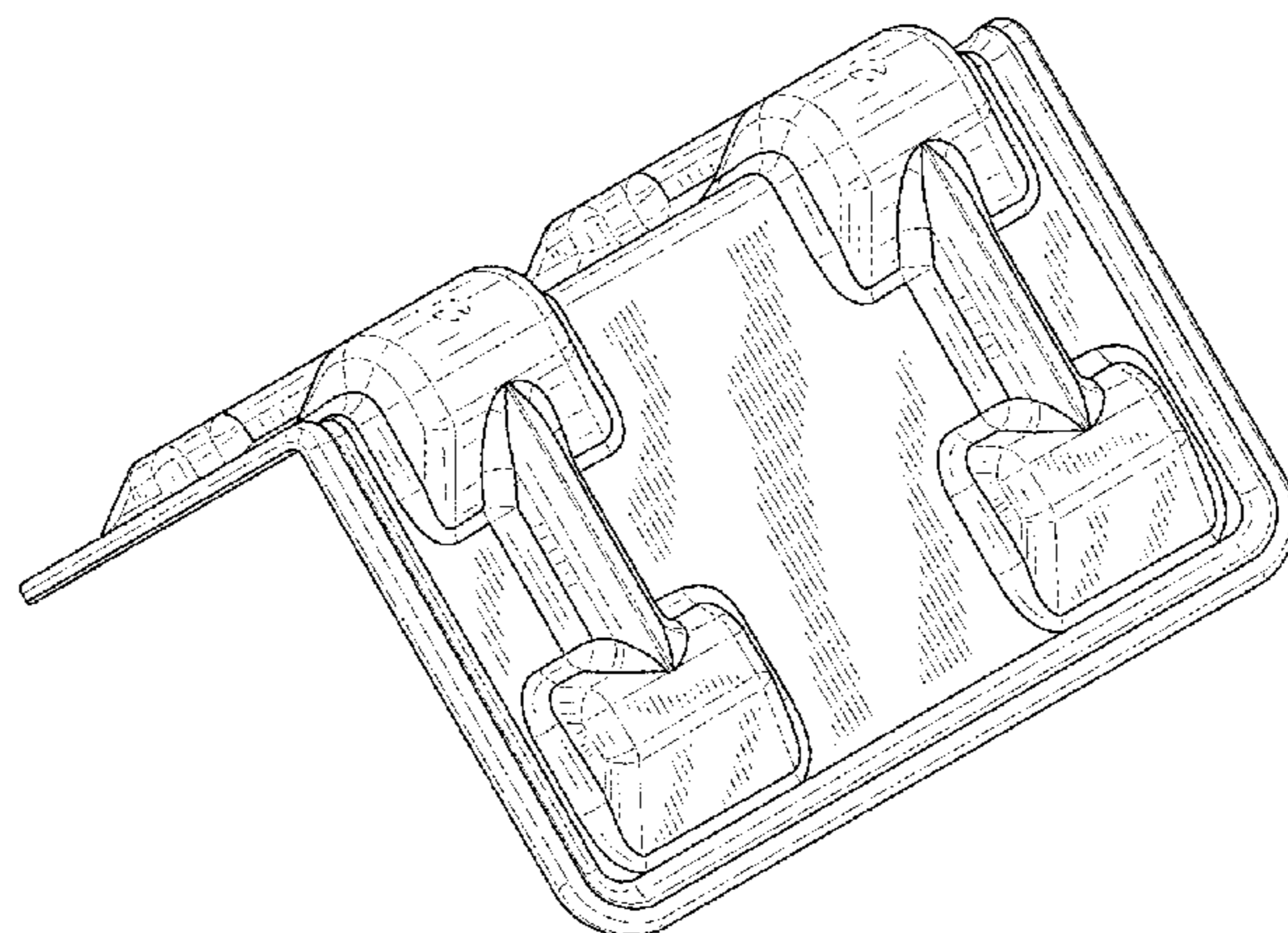
DESCRIPTION

FIG. 1 is a left side perspective view of the corner protector; FIG. 2 is a right side perspective view of the corner protector of FIG. 1; FIG. 3 is a top view of the corner protector of FIG. 1; FIG. 4 is a bottom view of the corner protector of FIG. 1; FIG. 5 is a left side elevation view of the corner protector of FIG. 1; FIG. 6 is a front elevation view of the corner protector of FIG. 1; and, FIG. 7 is a right side elevation view of the corner protector of FIG. 1.

The broken lines in the drawings illustrate portions of a corner protector that form no part of the claimed design.

1 Claim, 2 Drawing Sheets

- (56) **References Cited**
U.S. PATENT DOCUMENTS
749,834 A * 1/1904 Beisel B65D 9/34 190/27
2,266,181 A * 12/1941 Epps B65D 71/04 190/37



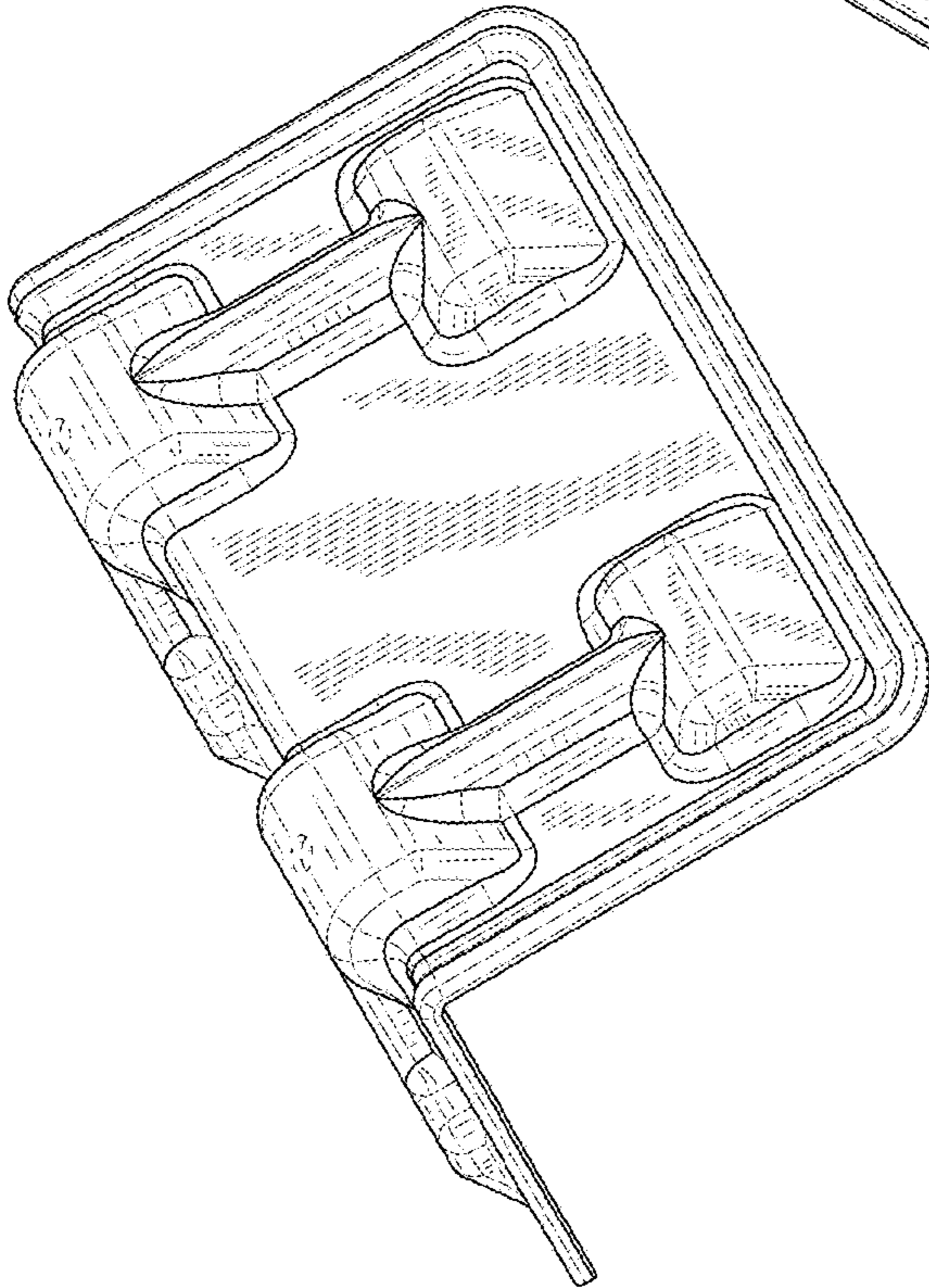


FIG. 1

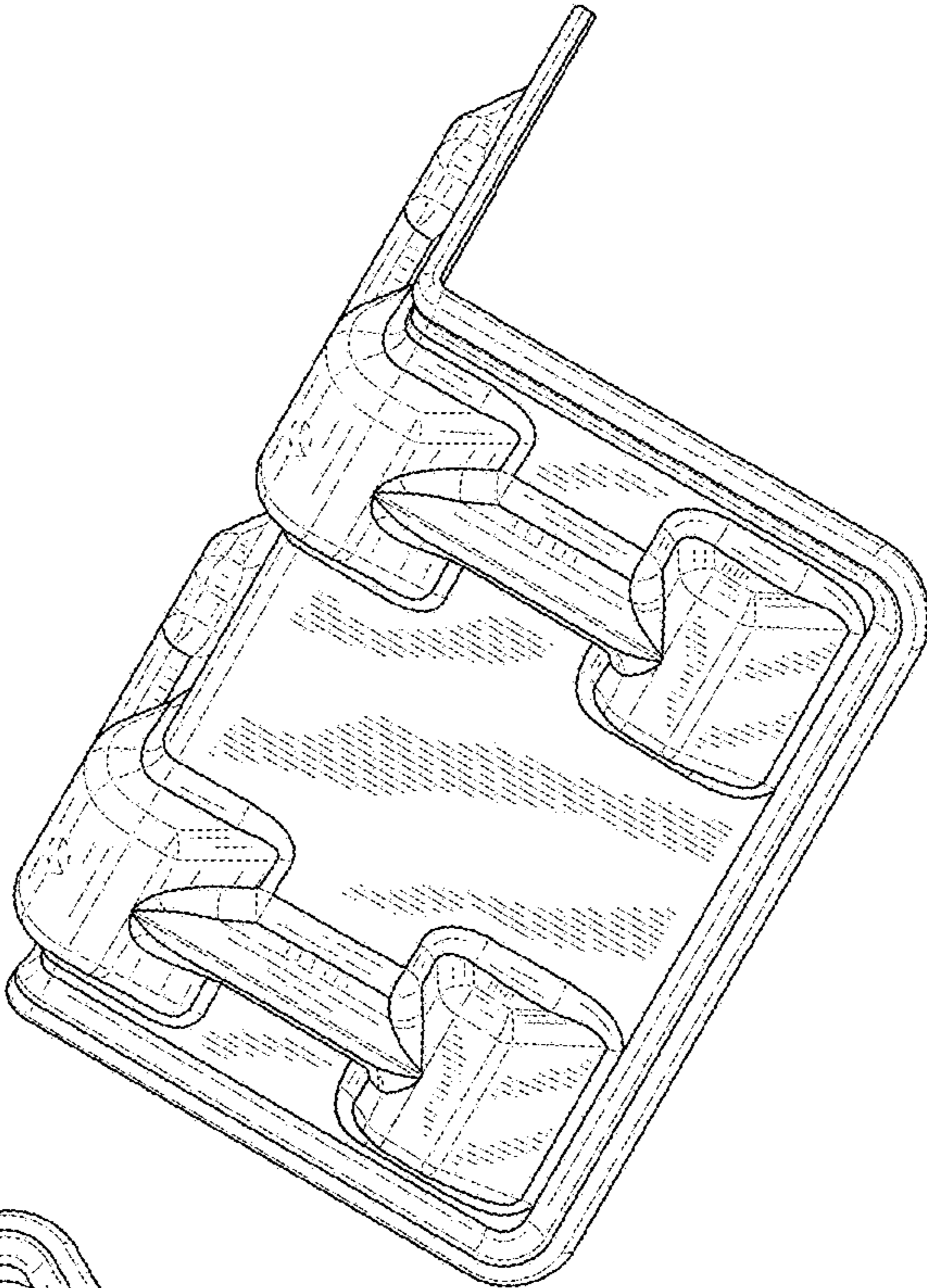


FIG. 2

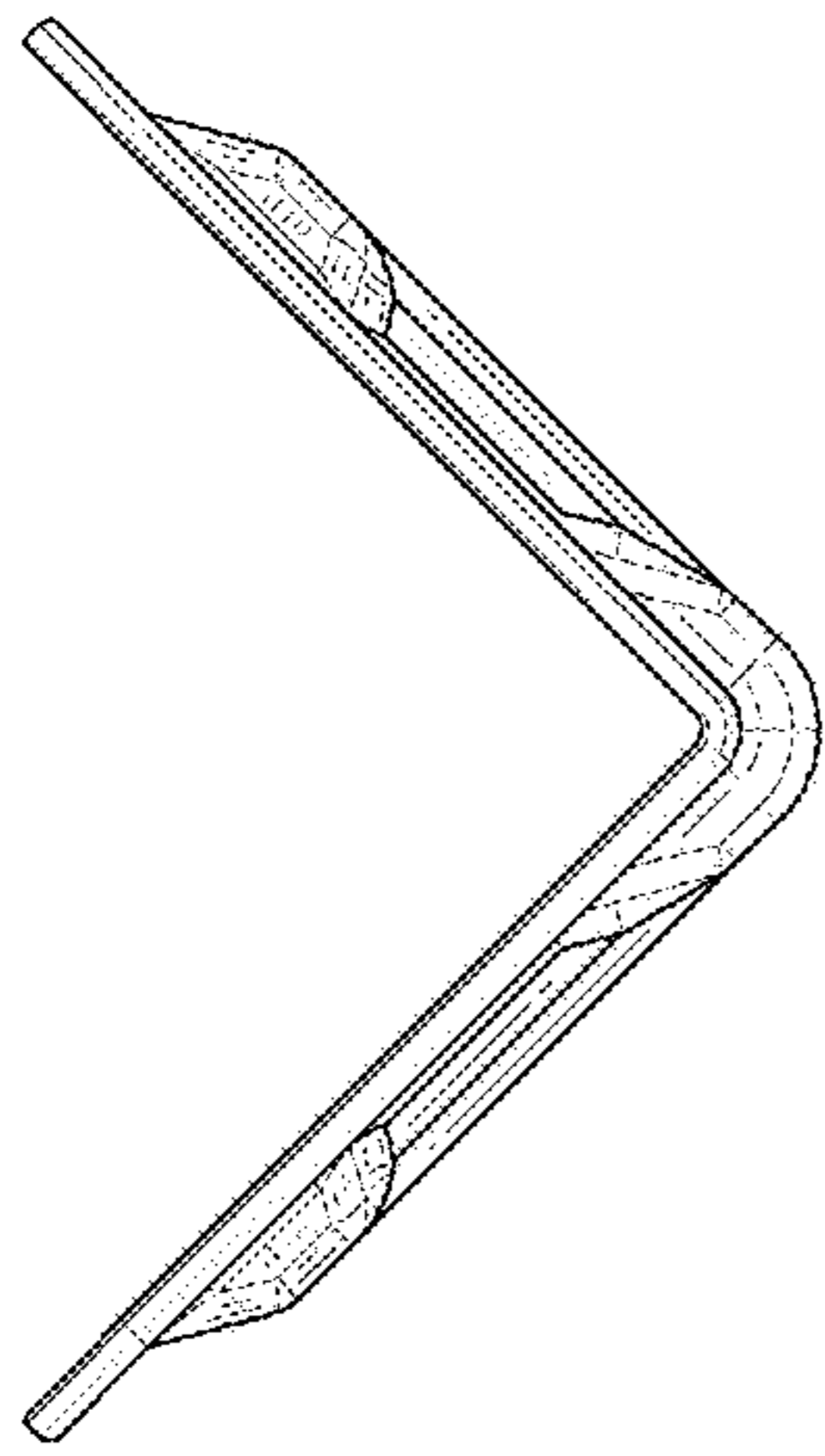


FIG. 3

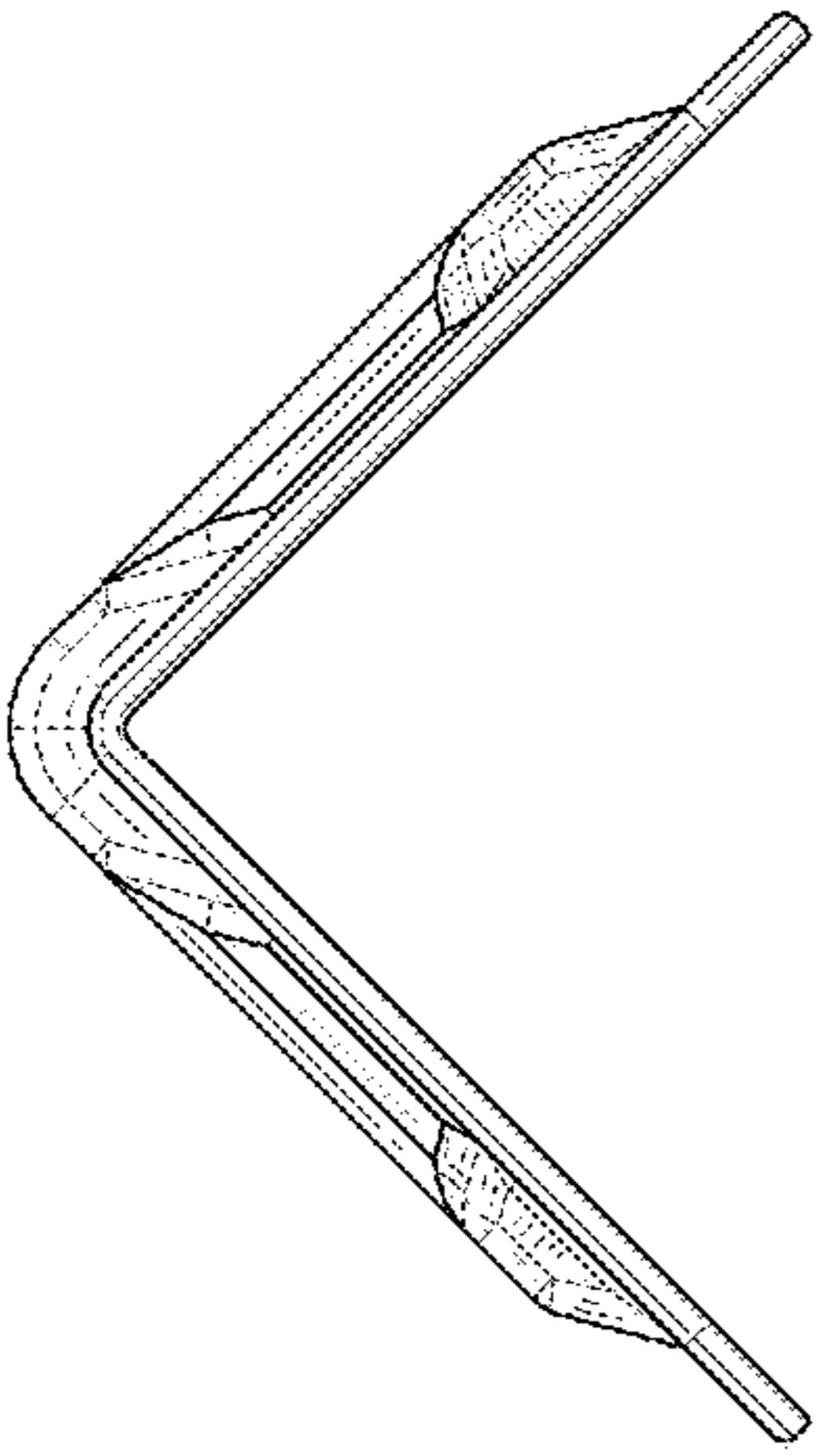


FIG. 4

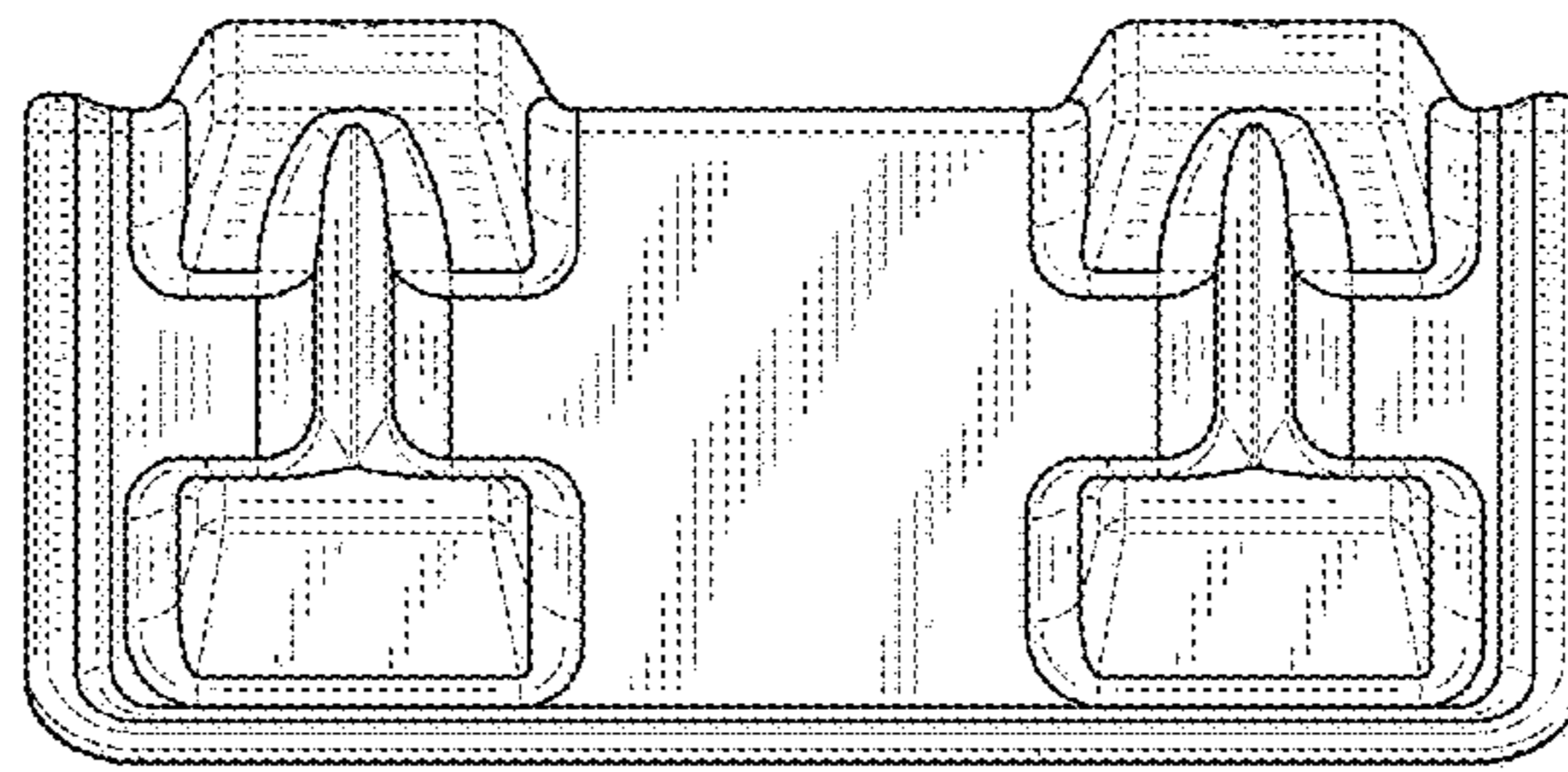


FIG. 5

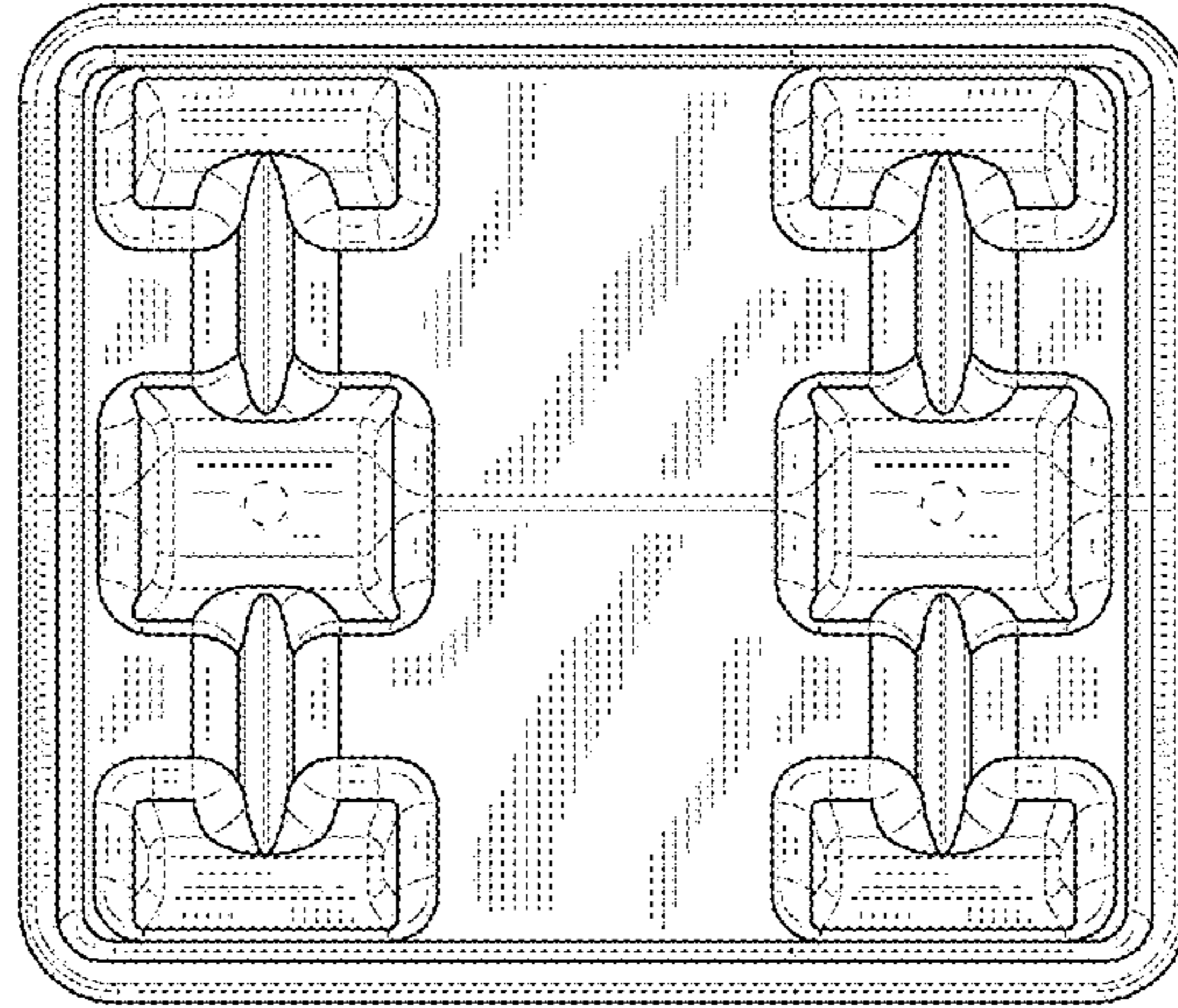


FIG. 6

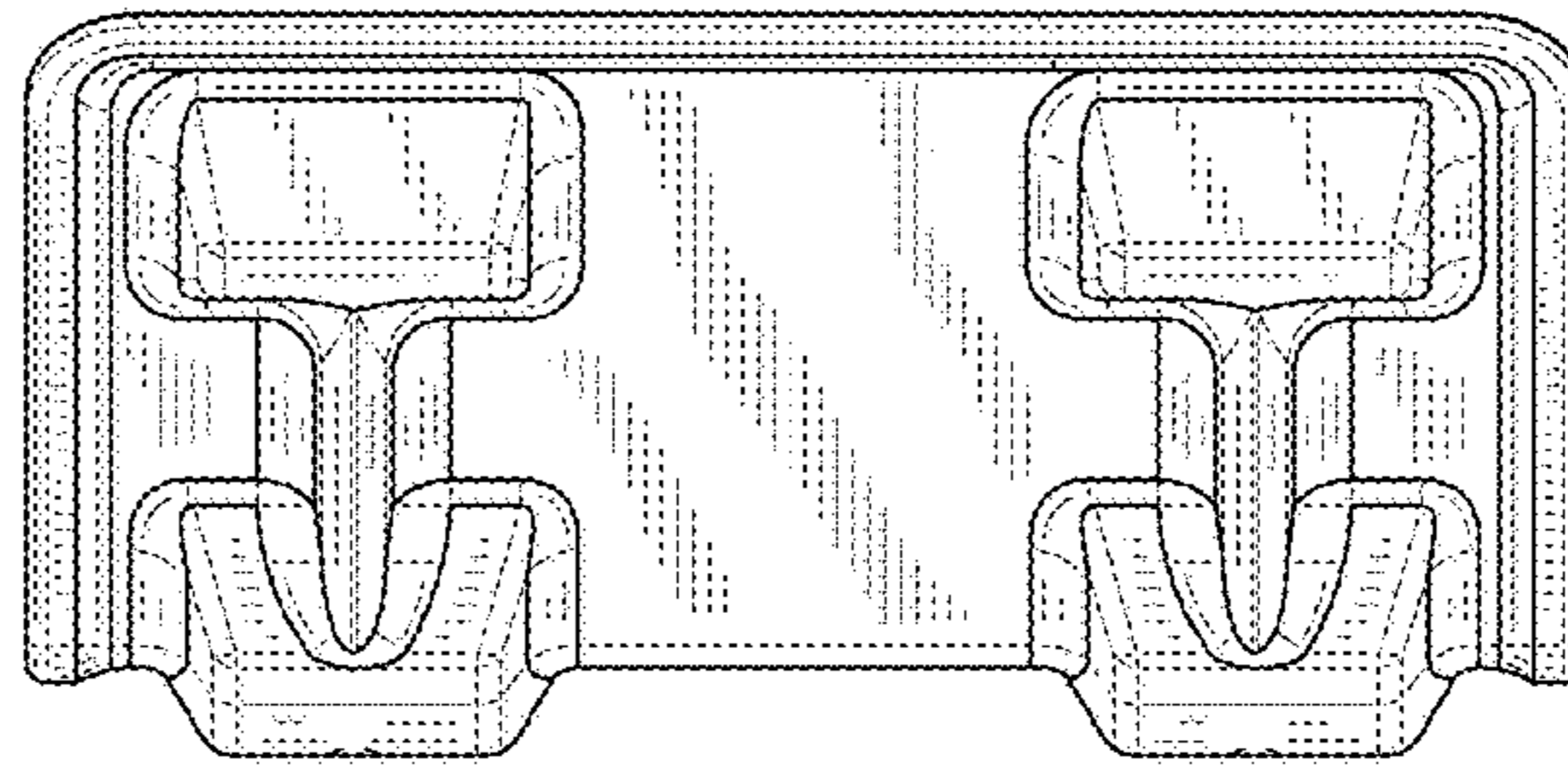


FIG. 7