



US00D853828S

(12) **United States Design Patent**
Lucas et al.

(10) **Patent No.:** **US D853,828 S**
(45) **Date of Patent:** **** Jul. 16, 2019**

(54) **SNAP-ON COUPLING**

(71) Applicant: **Grass GmbH**, Hoechst (AT)

(72) Inventors: **Tim Lucas**, Leinfelden-Echterdingen (DE); **Gabriel Auer**, Maeder (AT)

(73) Assignee: **Grass GmbH**, Hoechst (AT)

(**) Term: **15 Years**

(21) Appl. No.: **29/568,579**

(22) Filed: **Jun. 20, 2016**

(30) **Foreign Application Priority Data**

Dec. 21, 2015 (EM) 002918235

(51) **LOC (11) Cl.** **08-08**

(52) **U.S. Cl.**
USPC **D8/382; D8/354**

(58) **Field of Classification Search**
USPC D8/349, 354, 394, 382, 14, 71
CPC A47B 88/40; A47B 88/423; A47B 88/437;
A47B 2088/4272; A47B 2088/4235
See application file for complete search history.

(56) **References Cited**

U.S. PATENT DOCUMENTS

D583,225 S *	12/2008	McNeill	D8/394
9,095,211 B2 *	8/2015	Amann	A47B 88/0422
9,259,087 B1 *	2/2016	Hsiao	A47B 88/0055
9,808,083 B2 *	11/2017	Lucas	A47B 88/407
9,861,195 B2 *	1/2018	Lucas	A47B 88/427
9,907,399 B2 *	3/2018	Lucas	A47B 88/427
9,986,829 B2 *	6/2018	McGregor	A47B 88/427
D829,081 S *	9/2018	Ito	D8/354
2008/0218045 A1 *	9/2008	Moser	A47B 88/427 312/333
2012/0311818 A1 *	12/2012	Grabher	E05F 5/02 16/82
2013/0257244 A1 *	10/2013	Salice	A47B 88/0418 312/319.1

2013/0293077 A1 *	11/2013	Haemmerle	A47B 88/0085 312/319.1
2014/0314347 A1 *	10/2014	Huang	A47B 88/0422 384/22
2016/0025124 A1 *	1/2016	Roedder	F16B 12/04 403/14
2017/0095081 A1 *	4/2017	Lucas	A47B 88/407
2017/0095082 A1 *	4/2017	Lucas	A47B 88/427

(Continued)

Primary Examiner — Sandra S Snapp
Assistant Examiner — Ieisha N Price
(74) *Attorney, Agent, or Firm* — Posz Law Group, PLC

(57) **CLAIM**

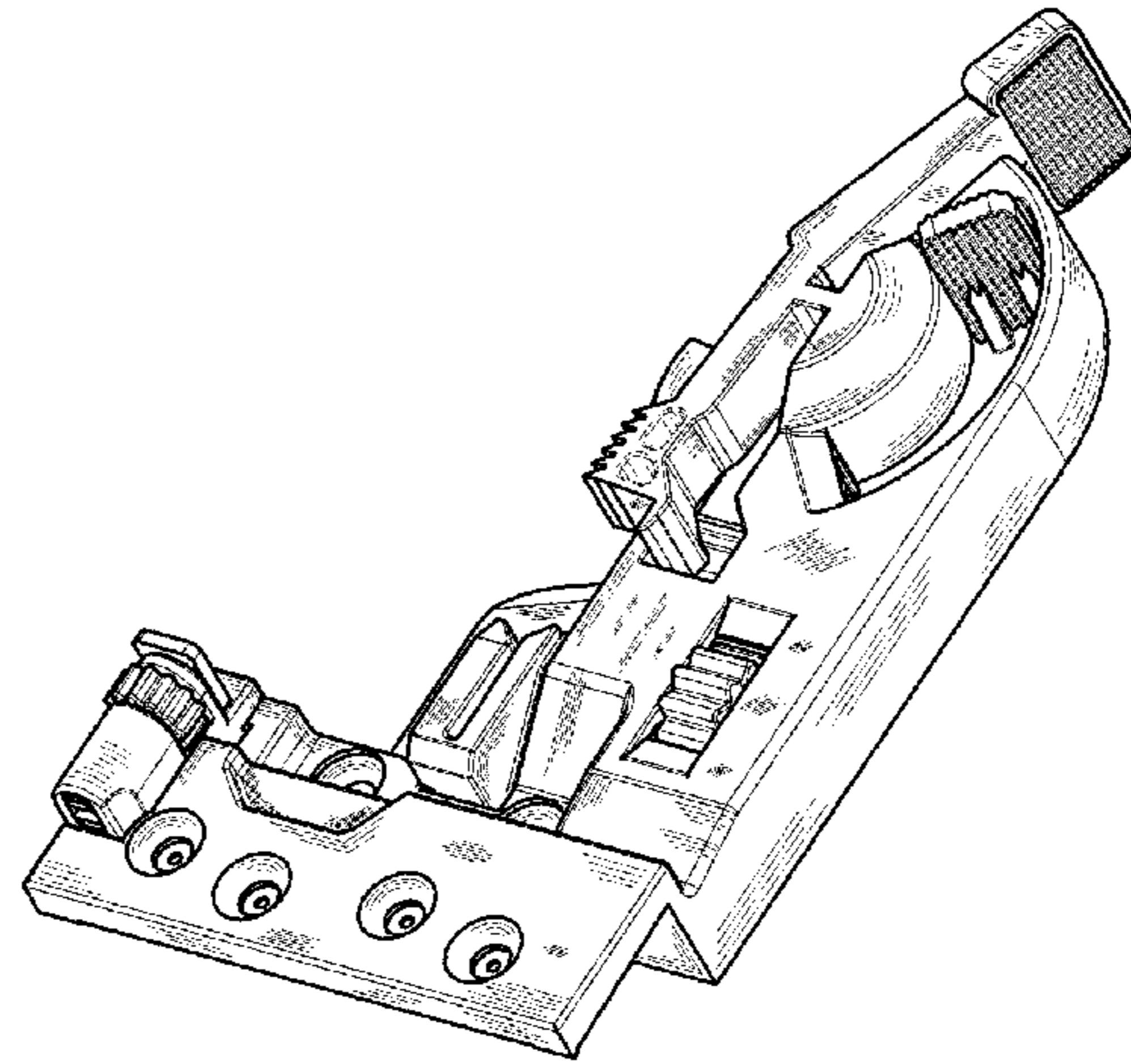
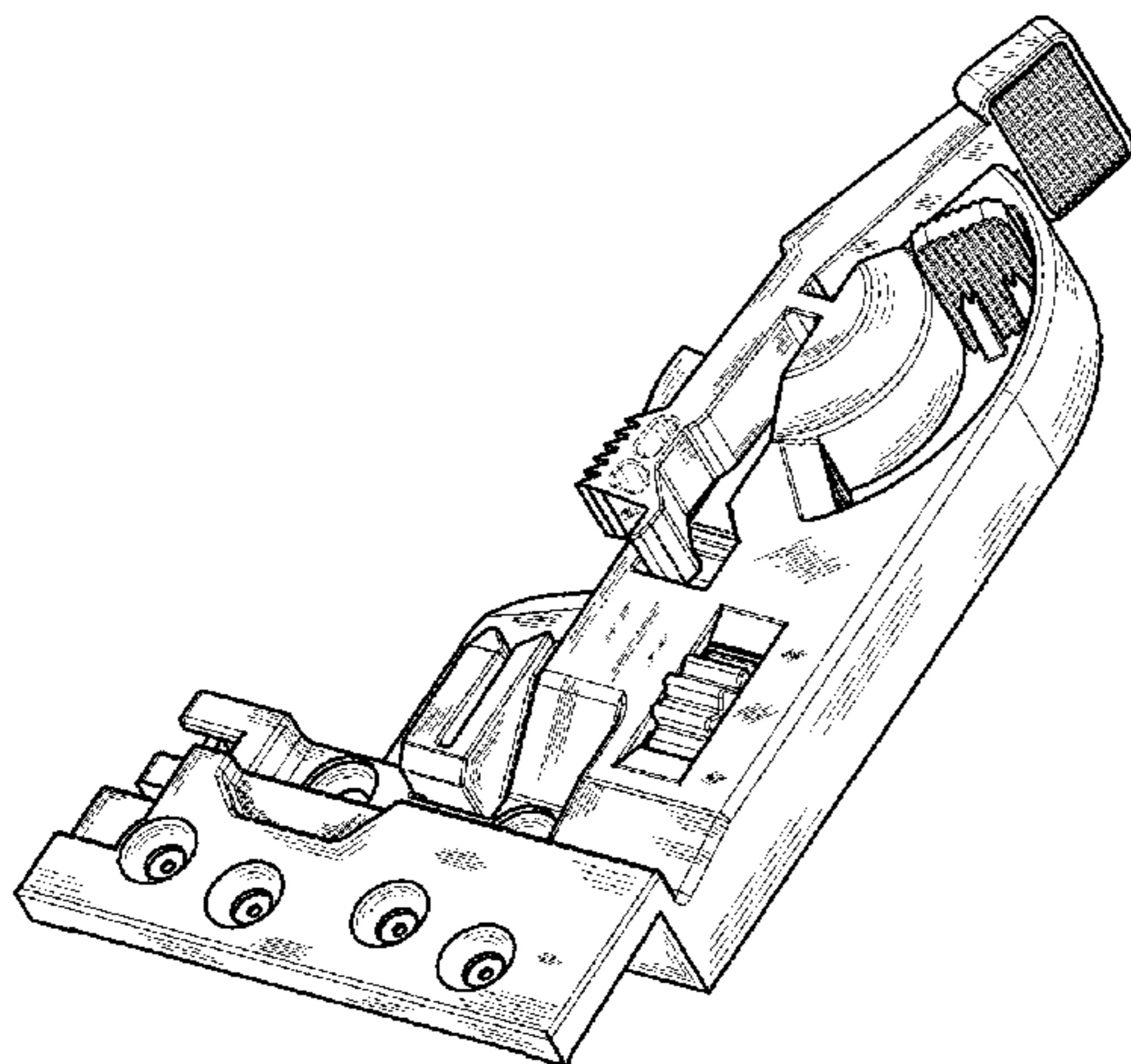
The ornamental design for a snap-on coupling, as shown and described.

DESCRIPTION

FIG. 1 is a front view of a first embodiment of a snap-on coupling showing our new design; FIG. 2 is a left side view thereof; FIG. 3 is a right side view thereof; FIG. 4 is a rear view thereof; FIG. 5 is a top plan view thereof; FIG. 6 is a bottom plan view thereof; and FIG. 7 is a perspective view of front, left side and bottom thereof.
FIG. 8 is a front view of a second embodiment of the snap-on coupling showing our new design; FIG. 9 is a left side view thereof; FIG. 10 is a right side view thereof; FIG. 11 is a rear view thereof; FIG. 12 is a top plan view thereof; FIG. 13 is a bottom plan view thereof; and, FIG. 14 is a perspective view of front, left side and bottom thereof.

The broken line showing illustrates portions of the article and forms no part of the claimed design.

1 Claim, 14 Drawing Sheets



(56)

References Cited

U.S. PATENT DOCUMENTS

2017/0095083 A1* 4/2017 Lucas A47B 88/427
2018/0146783 A1* 5/2018 Stuffel A47B 88/427

* cited by examiner

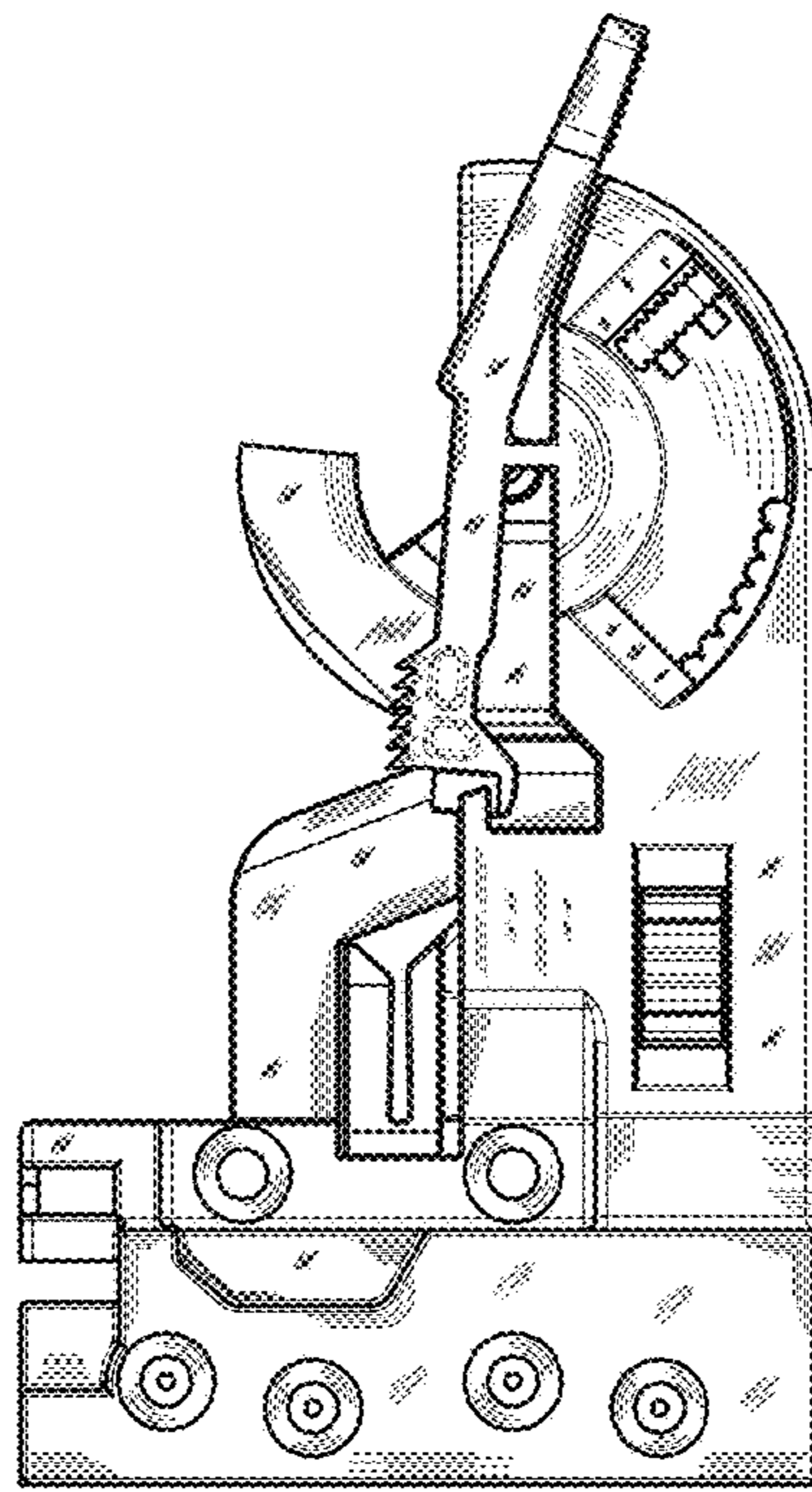


Fig. 1

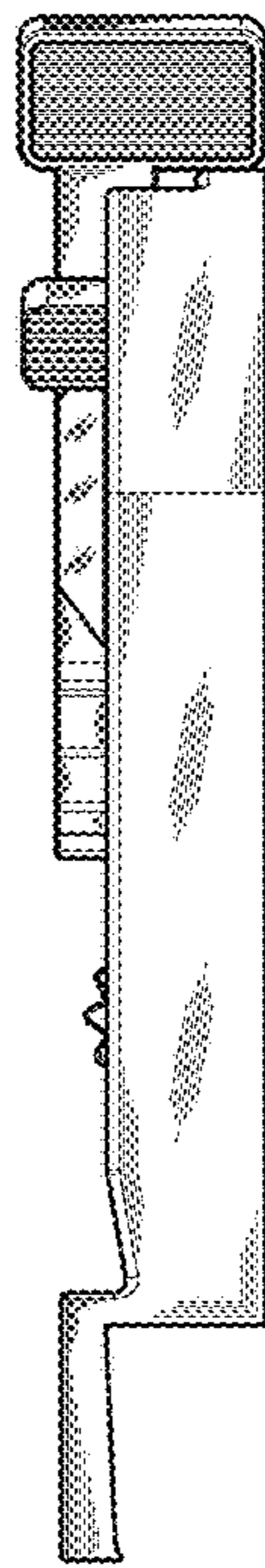


Fig. 2

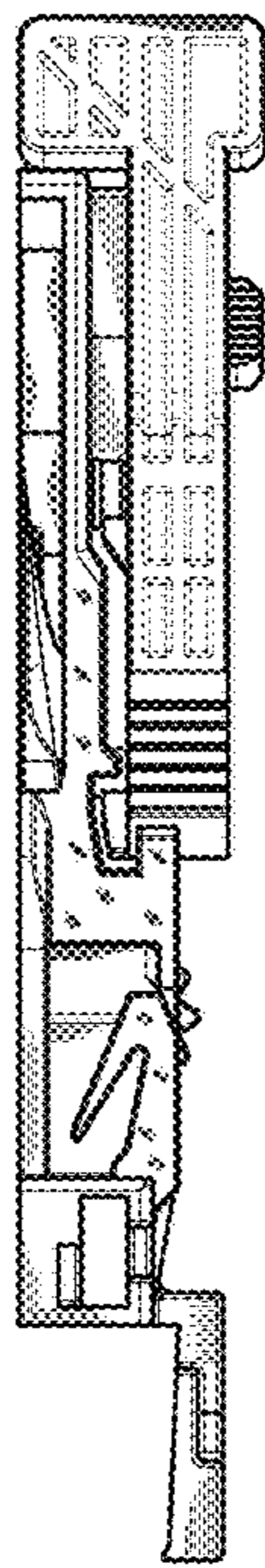


Fig. 3

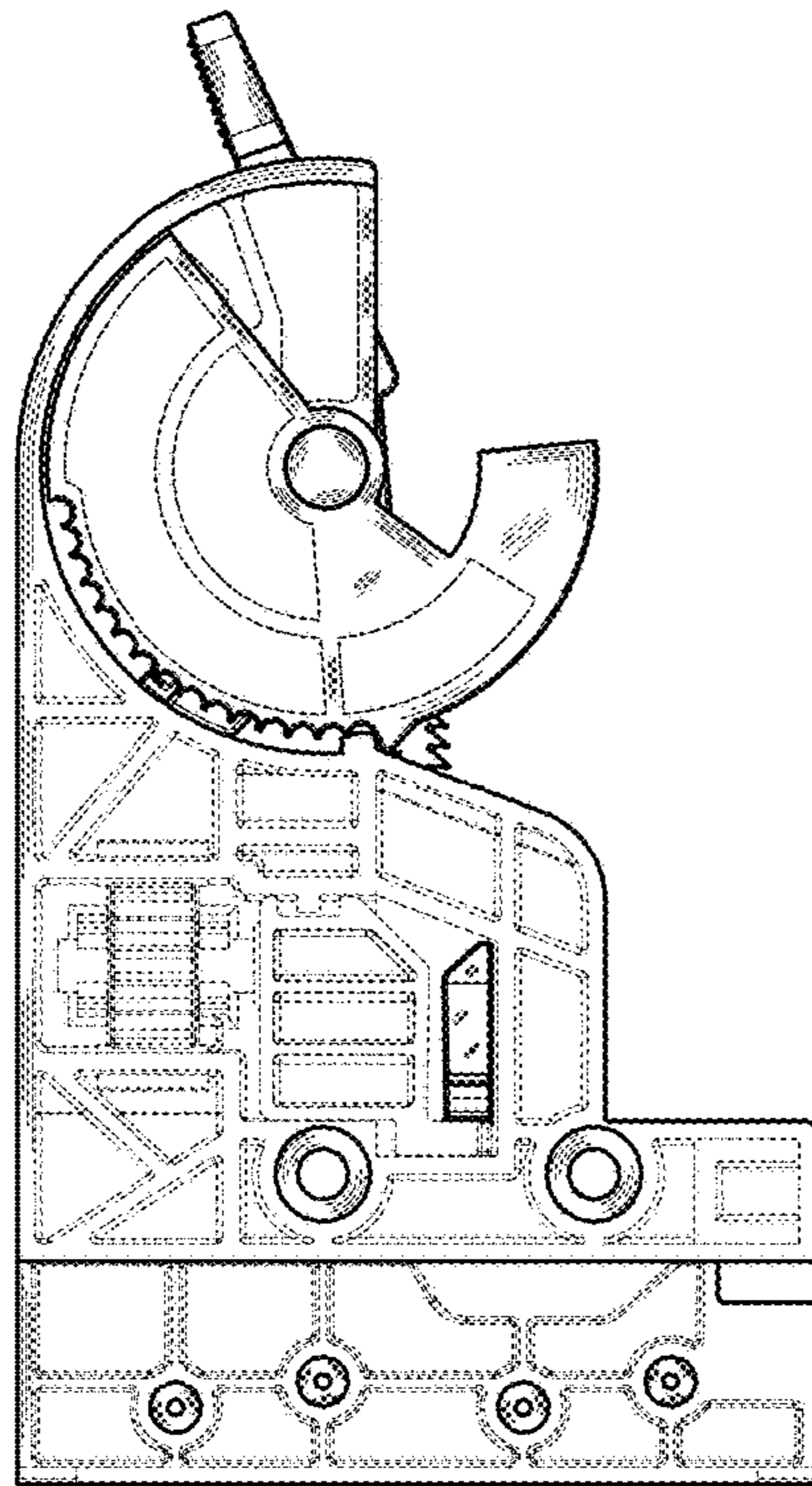


Fig. 4

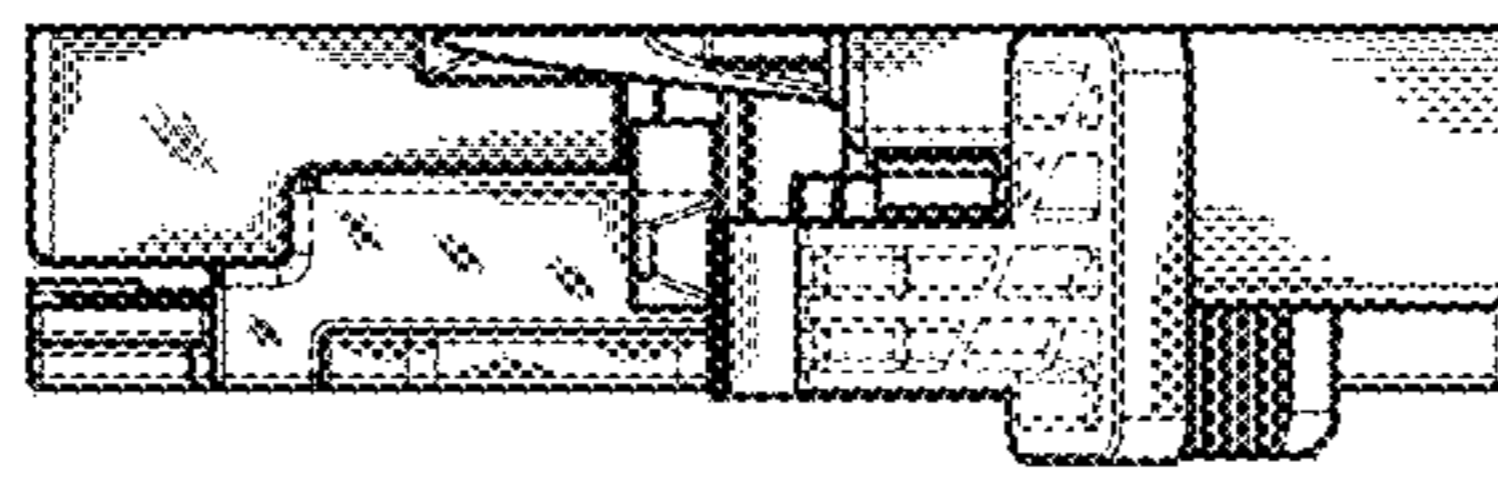


Fig. 5

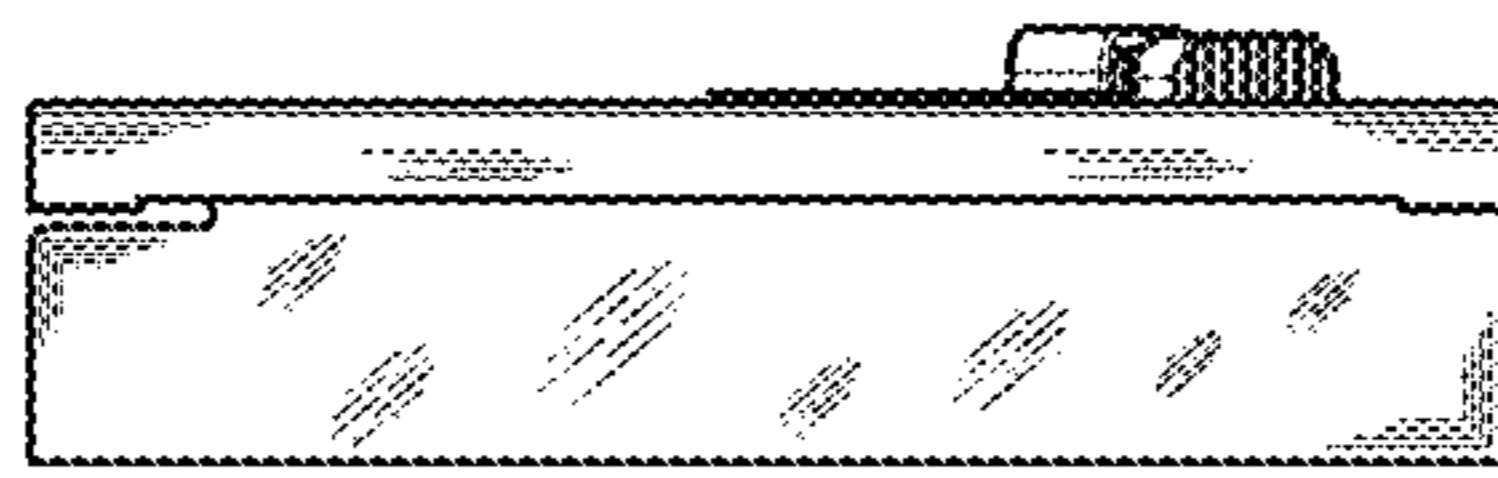


Fig. 6

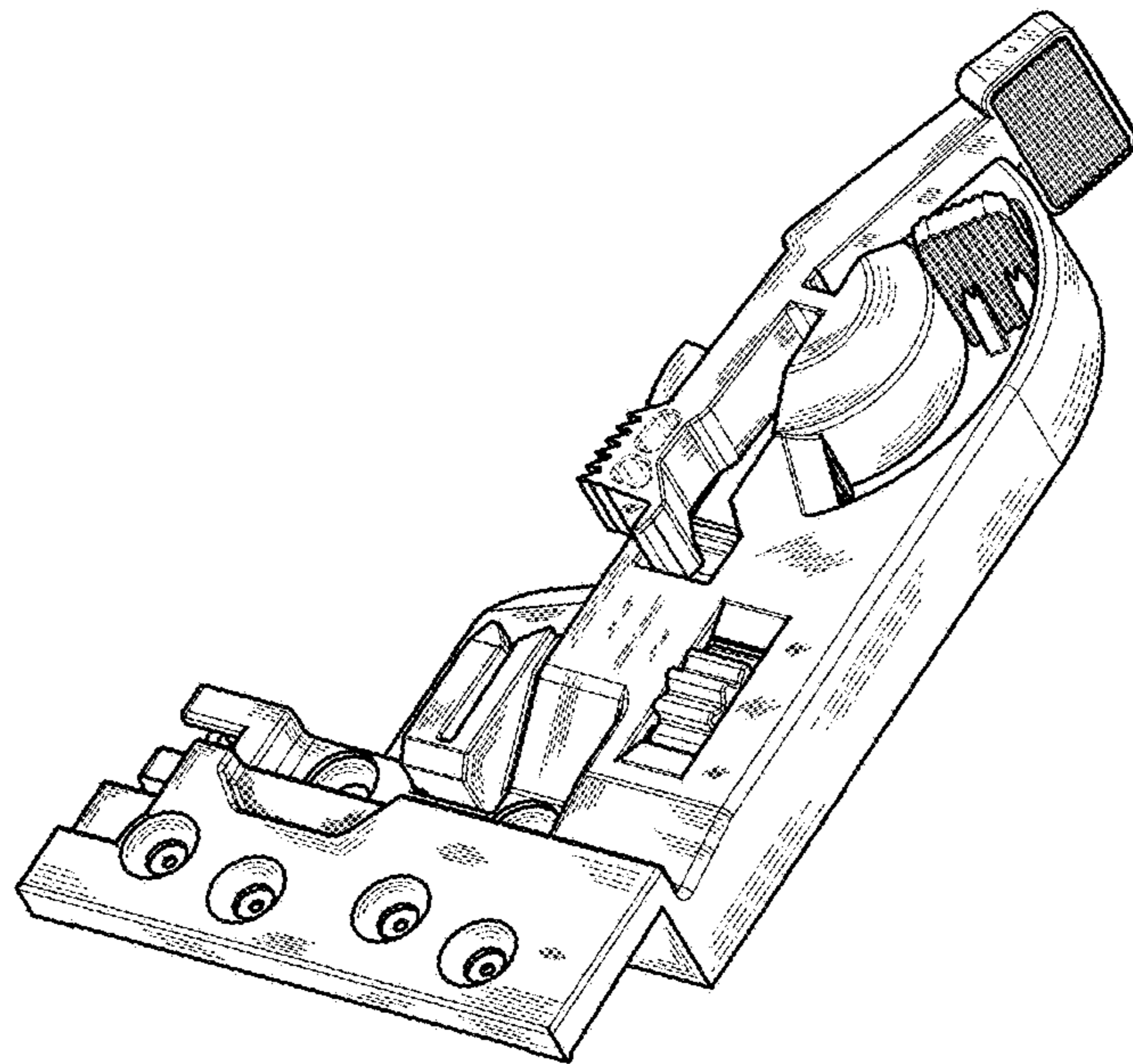


Fig. 7

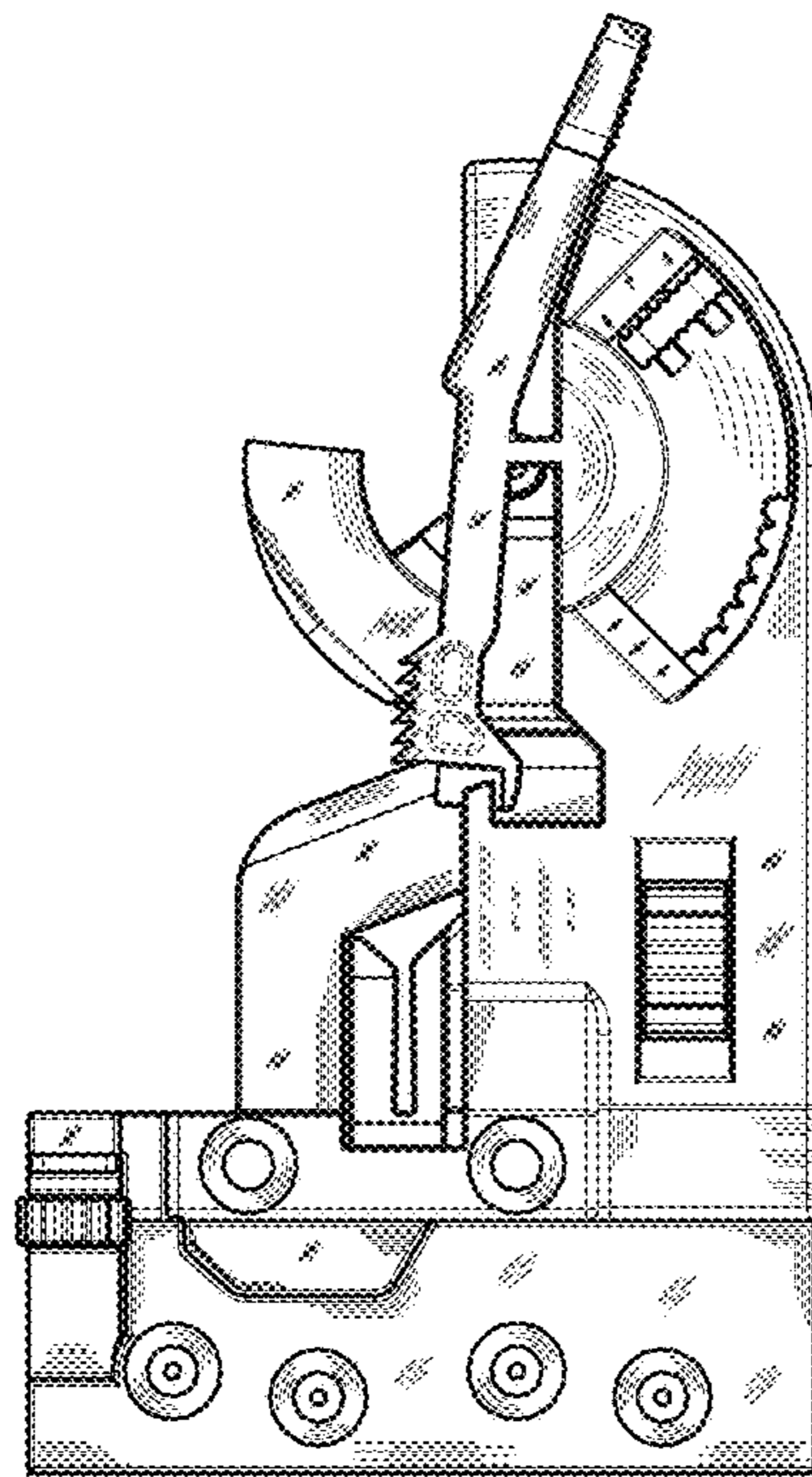


Fig. 8

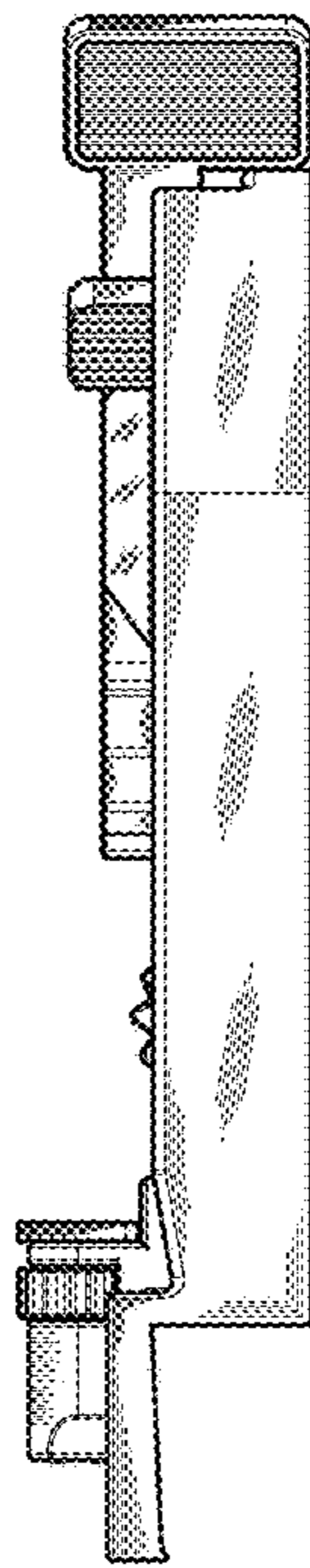


Fig. 9

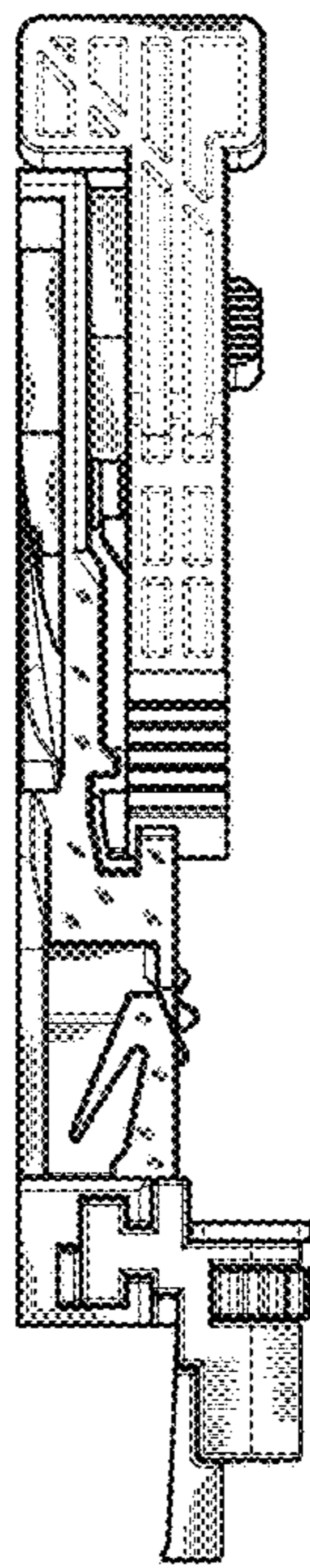


Fig. 10

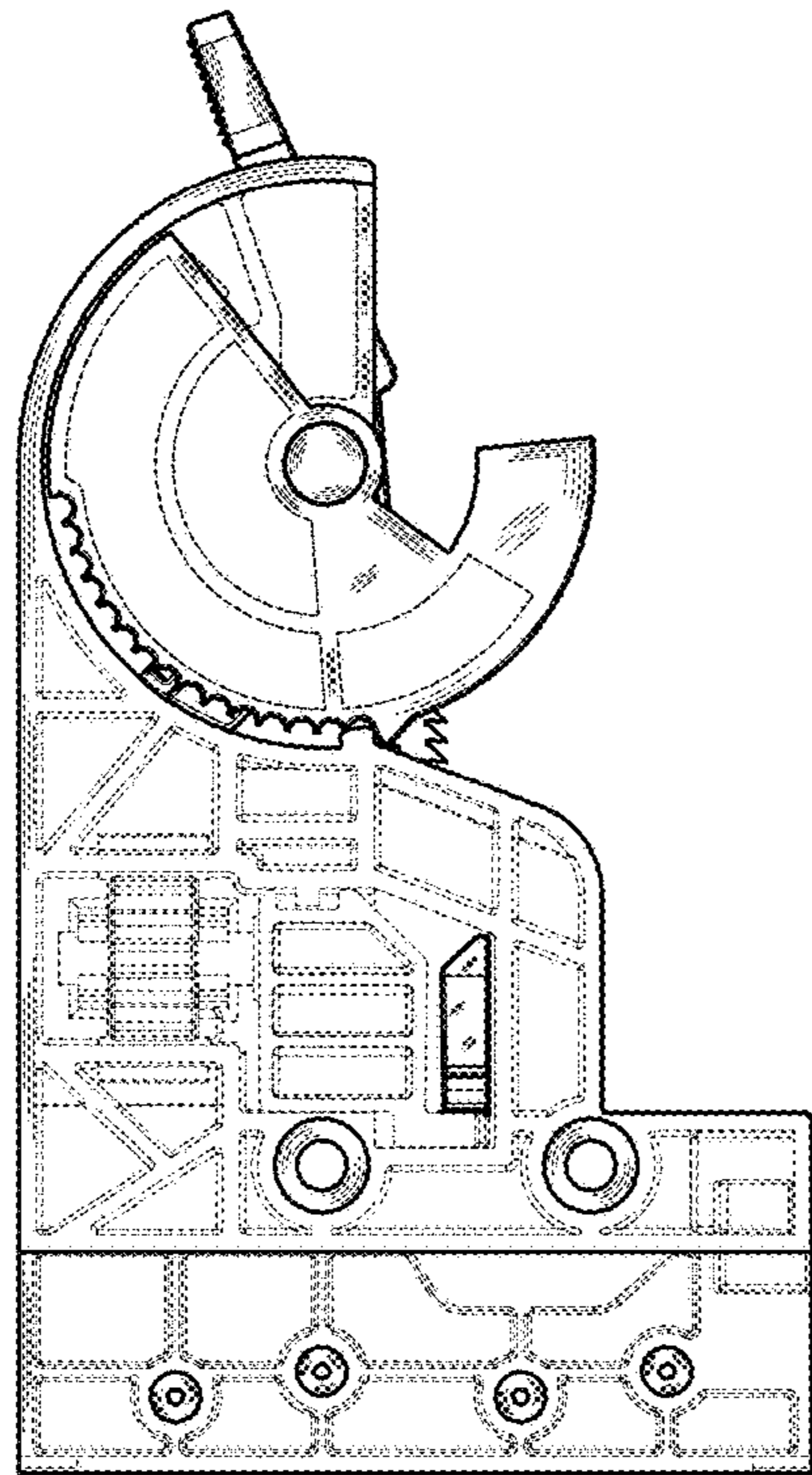


Fig. 11

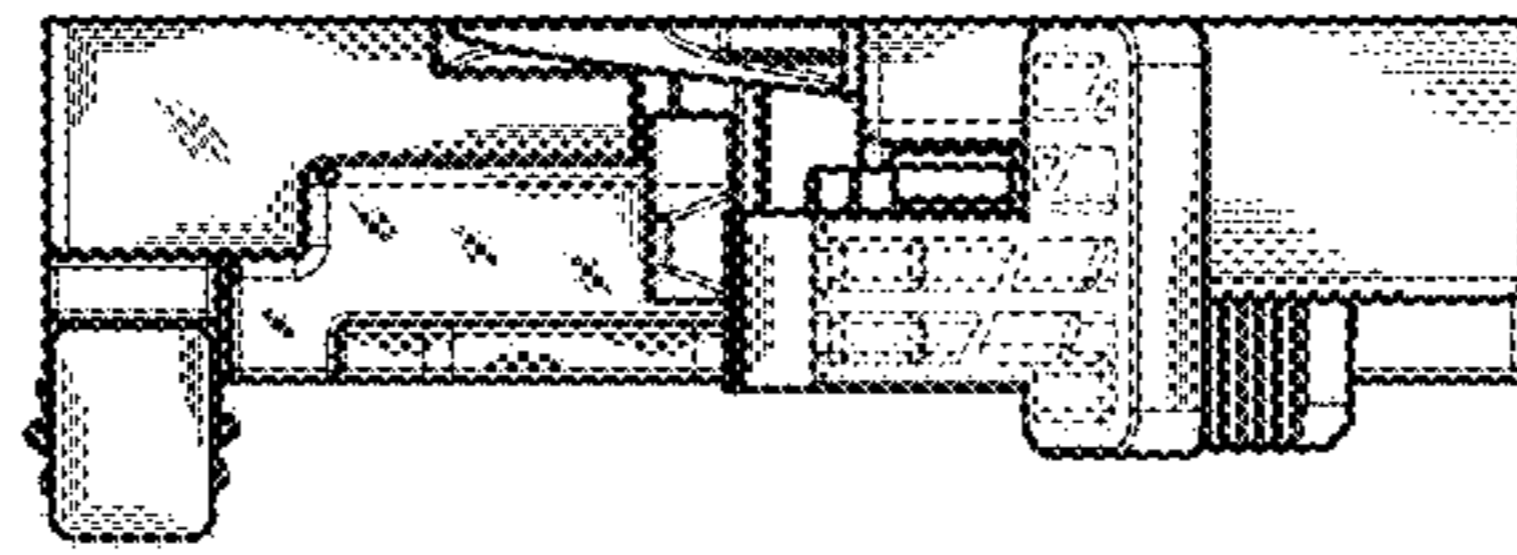


Fig. 12

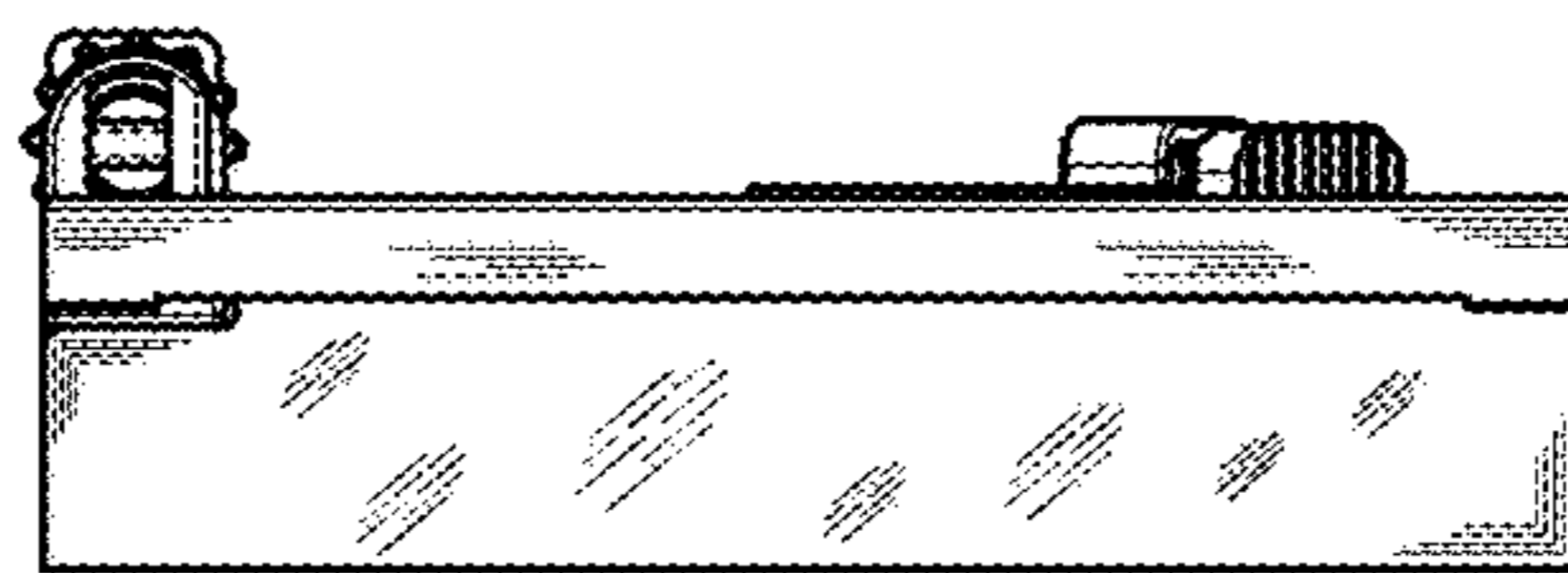


Fig. 13

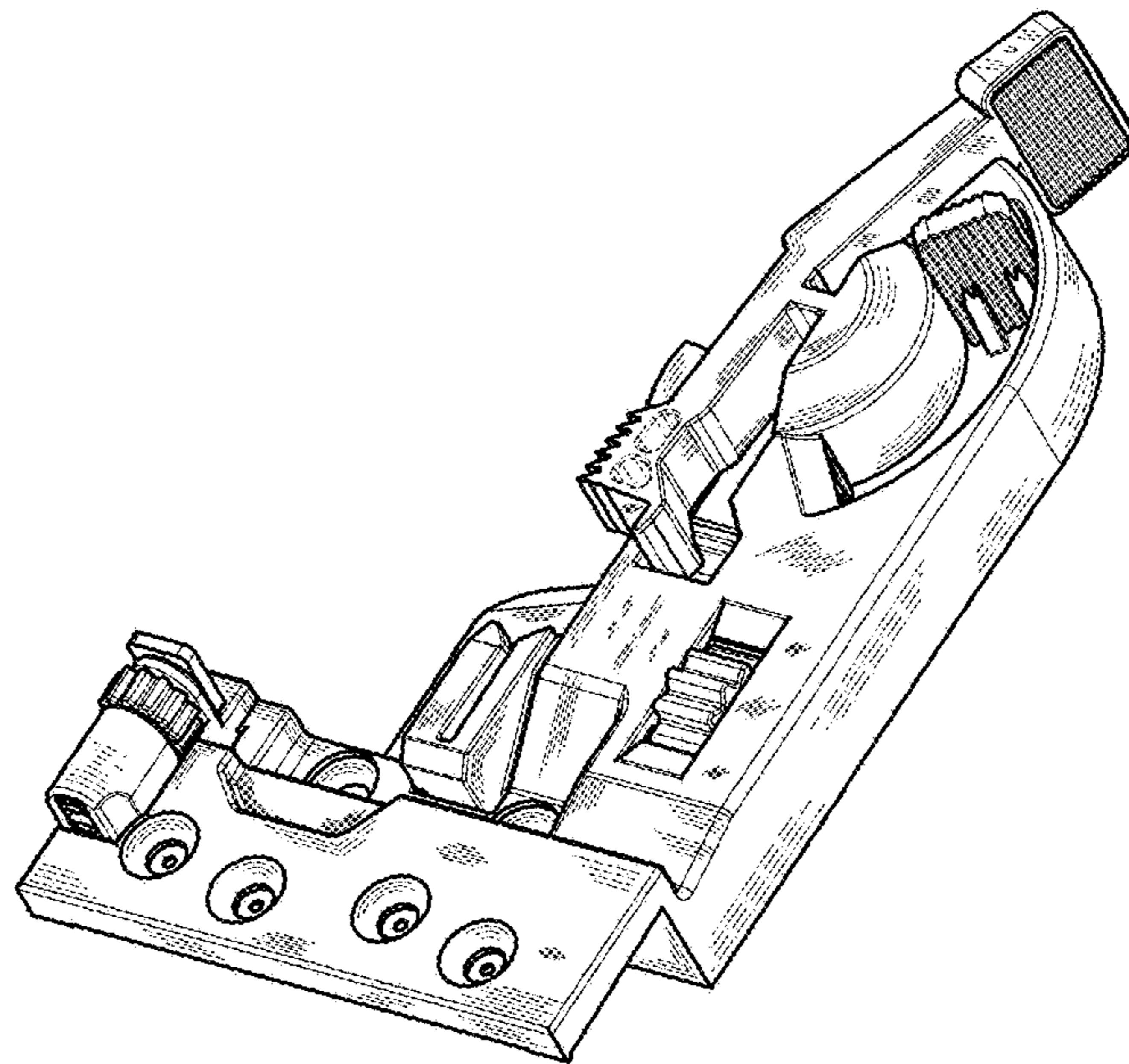


Fig. 14