



US00D853827S

(12) **United States Design Patent** (10) **Patent No.:** **US D853,827 S**  
**Lang et al.** (45) **Date of Patent:** **\*\* Jul. 16, 2019**

(54) **EXTRUDED MOUNTING ELEMENT**

(71) Applicant: **PIXLIP GMBH**, Langenfeld (DE)

(72) Inventors: **Karl Lang**, Dusseldorf (DE); **Lars Backhaus**, Cologne (DE)

(\*\*) Term: **15 Years**

(21) Appl. No.: **35/503,767**

(22) Filed: **Jul. 25, 2017**

(80) **Hague Agreement Data**

Int. Filing Date: **Jul. 25, 2017**

Int. Reg. No.: **DM/097730**

Int. Reg. Date: **Jul. 25, 2017**

Int. Reg. Pub. Date: **Oct. 6, 2017**

(30) **Foreign Application Priority Data**

Mar. 2, 2017 (EM) ..... 003780774-0001  
Mar. 2, 2017 (EM) ..... 003780774-0002  
Mar. 2, 2017 (EM) ..... 003780774-0003  
Mar. 2, 2017 (EM) ..... 003780774-0004  
Mar. 2, 2017 (EM) ..... 003780774-0005  
Mar. 2, 2017 (EM) ..... 003780774-0006  
Mar. 2, 2017 (EM) ..... 003780774-0007  
Mar. 2, 2017 (EM) ..... 003780774-0008  
Mar. 2, 2017 (EM) ..... 003780774-0009

(51) **LOC (11) Cl.** ..... **08-05**

(52) **U.S. Cl.**  
USPC ..... **D8/377**

(58) **Field of Classification Search**

USPC ..... D8/349, 377; D25/119, 121, 123, 124,  
D25/136, 164; D10/121; D26/61, 64

CPC ..... G01N 21/8806  
See application file for complete search history.

(56) **References Cited**

U.S. PATENT DOCUMENTS

D388,182 S \* 12/1997 Payton ..... D25/121  
D425,734 S \* 5/2000 Bauer ..... D8/377  
D582,569 S \* 12/2008 Moreau ..... D25/119  
D627,717 S \* 11/2010 Munoz ..... D13/102  
D636,656 S \* 4/2011 Schaefer ..... D25/122  
D827,157 S \* 8/2018 Schuit ..... D25/125

\* cited by examiner

*Primary Examiner* — Eliza Z Bennett-Hattan

(74) *Attorney, Agent, or Firm* — Norman B. Thot

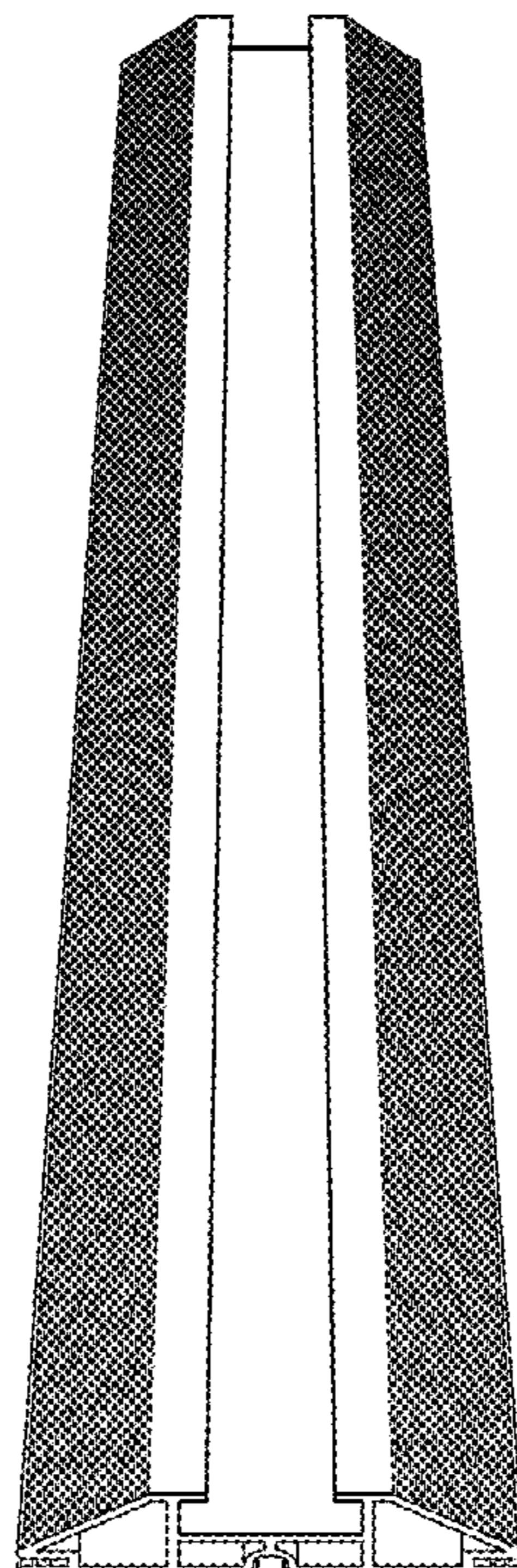
(57) **CLAIM**

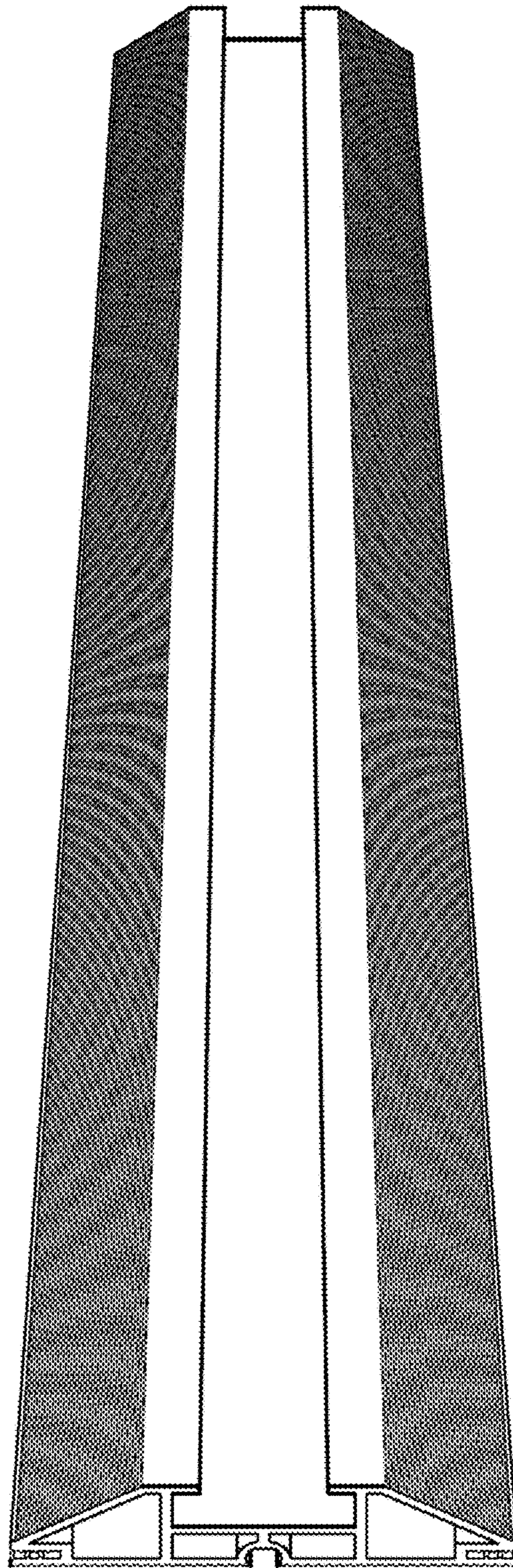
An ornamental design for an extruded mounting element, as shown and described.

**DESCRIPTION**

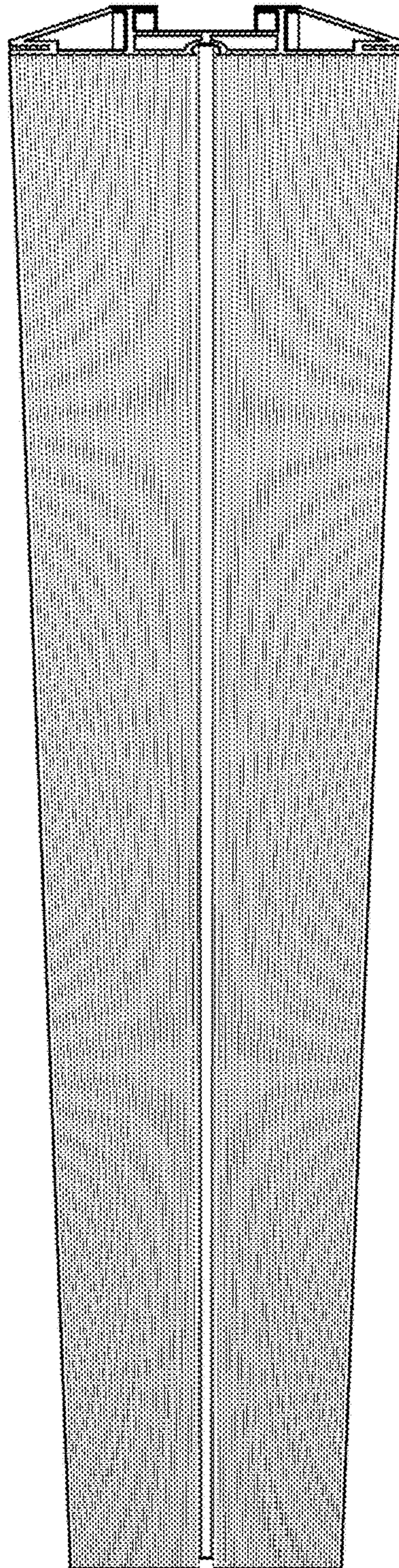
FIG. 5.1 is a front, top-side perspective view of the extruded mounting element showing our new design; FIG. 5.2 is back, bottom-side perspective view thereof; and FIG. 5.3 is a front, top-side, right-side enlarged detail view thereof.

**1 Claim, 3 Drawing Sheets**

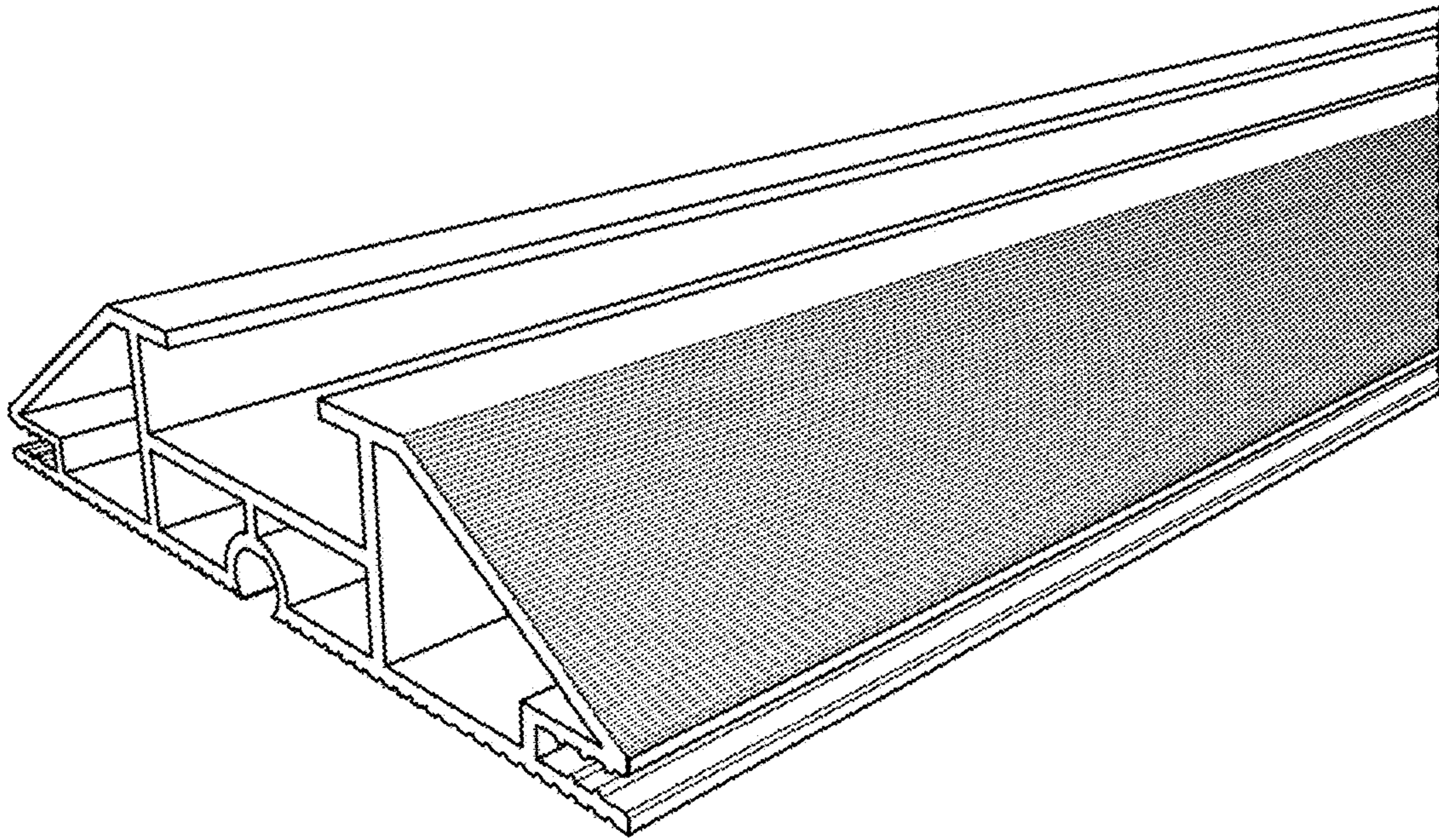




5.1



5.2



5.3