



US00D853825S

(12) **United States Design Patent**  
**Weinerman et al.**

(10) **Patent No.:** **US D853,825 S**

(45) **Date of Patent:** **\*\* Jul. 16, 2019**

(54) **TIE DOWN**

(71) Applicant: **The Eastern Company**, Cleveland, OH (US)

(72) Inventors: **Lee S. Weinerman**, Medina, OH (US);  
**Fredrick L. Putzier**, Columbia Station, OH (US); **Marinel Rosu**, Strongsville, OH (US)

(73) Assignee: **THE EASTERN COMPANY**, Cleveland, OH (US)

(\*\*) Term: **15 Years**

(21) Appl. No.: **29/642,066**

(22) Filed: **Mar. 27, 2018**

(51) **LOC (11) Cl.** ..... **08-05**

(52) **U.S. Cl.**  
USPC ..... **D8/354**

(58) **Field of Classification Search**  
USPC ..... D12/223; D8/382, 349, 354, 384, 367  
CPC ..... B61D 45/00  
See application file for complete search history.

(56) **References Cited**

**U.S. PATENT DOCUMENTS**

4,907,921	A *	3/1990	Akright	.....	B61D 45/001 410/111
D307,107	S *	4/1990	Wensien	.....	D8/306
D314,133	S *	1/1991	Issard	.....	D12/317
5,180,263	A *	1/1993	Flowers, Jr.	.....	B60P 7/0807 410/101
5,774,948	A *	7/1998	Petschke	.....	B60P 7/0807 24/265 AL

6,030,159	A *	2/2000	Herrick	.....	B60P 1/52 410/101
6,138,975	A *	10/2000	McDaid	.....	B61D 45/001 248/499
6,918,721	B2 *	7/2005	Venton-Walters	....	B60P 7/0807 410/102
D549,556	S *	8/2007	Christie	.....	D8/354
D565,935	S *	4/2008	Selby	.....	D8/356
7,398,664	B1 *	7/2008	Weinerman	.....	E05B 1/0092 292/207
D619,954	S *	7/2010	Le	.....	D12/223

\* cited by examiner

*Primary Examiner* — Janice Hallmark

*Assistant Examiner* — Harold E Blackwell, II

(74) *Attorney, Agent, or Firm* — Ralph E. Jocke; Walker & Jocke

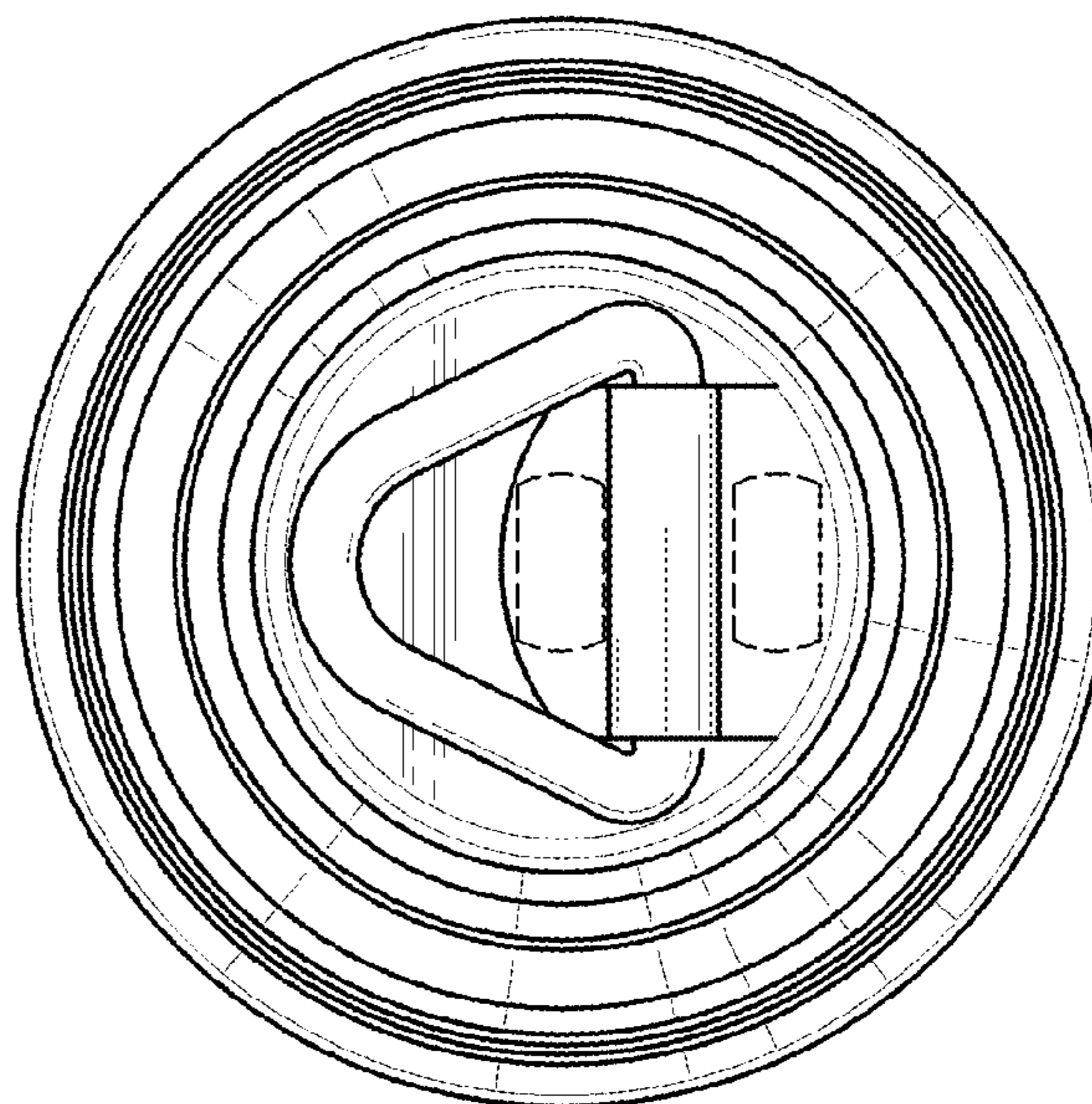
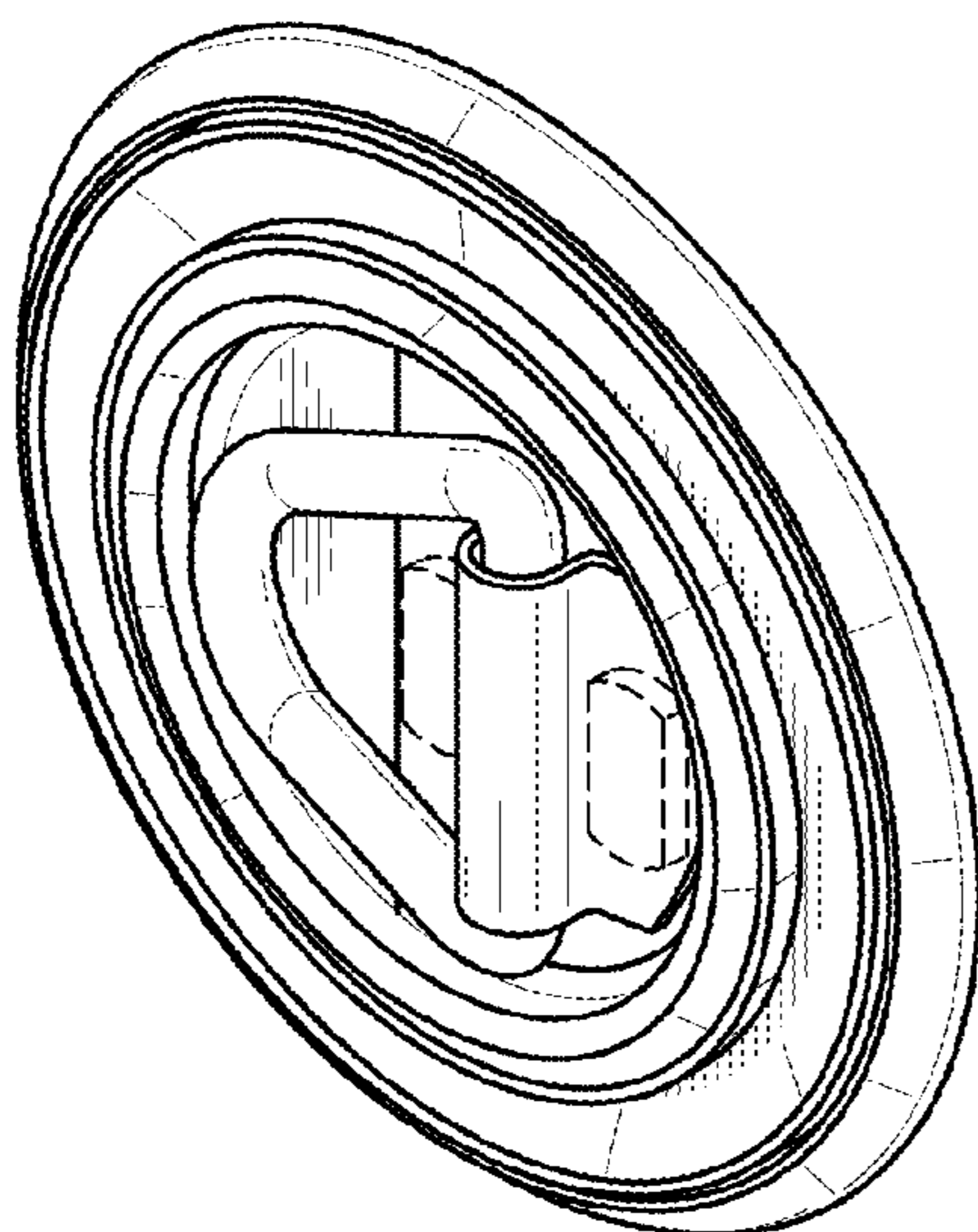
(57) **CLAIM**

The ornamental design for a tie down, as shown and described.

**DESCRIPTION**

FIG. 1 is a front top right perspective view of a tie down showing our new design;  
FIG. 2 is a front top left perspective view thereof;  
FIG. 3 is a front bottom right perspective view thereof;  
FIG. 4 is a front bottom left perspective view thereof;  
FIG. 5 is a front view thereof;  
FIG. 6 is a right side view thereof;  
FIG. 7 is a left side view thereof;  
FIG. 8 is a top side view thereof; and,  
FIG. 9 is a bottom side view thereof.  
The broken lines in the drawings depict portions of the tie down that form no part of the claimed design.

**1 Claim, 3 Drawing Sheets**



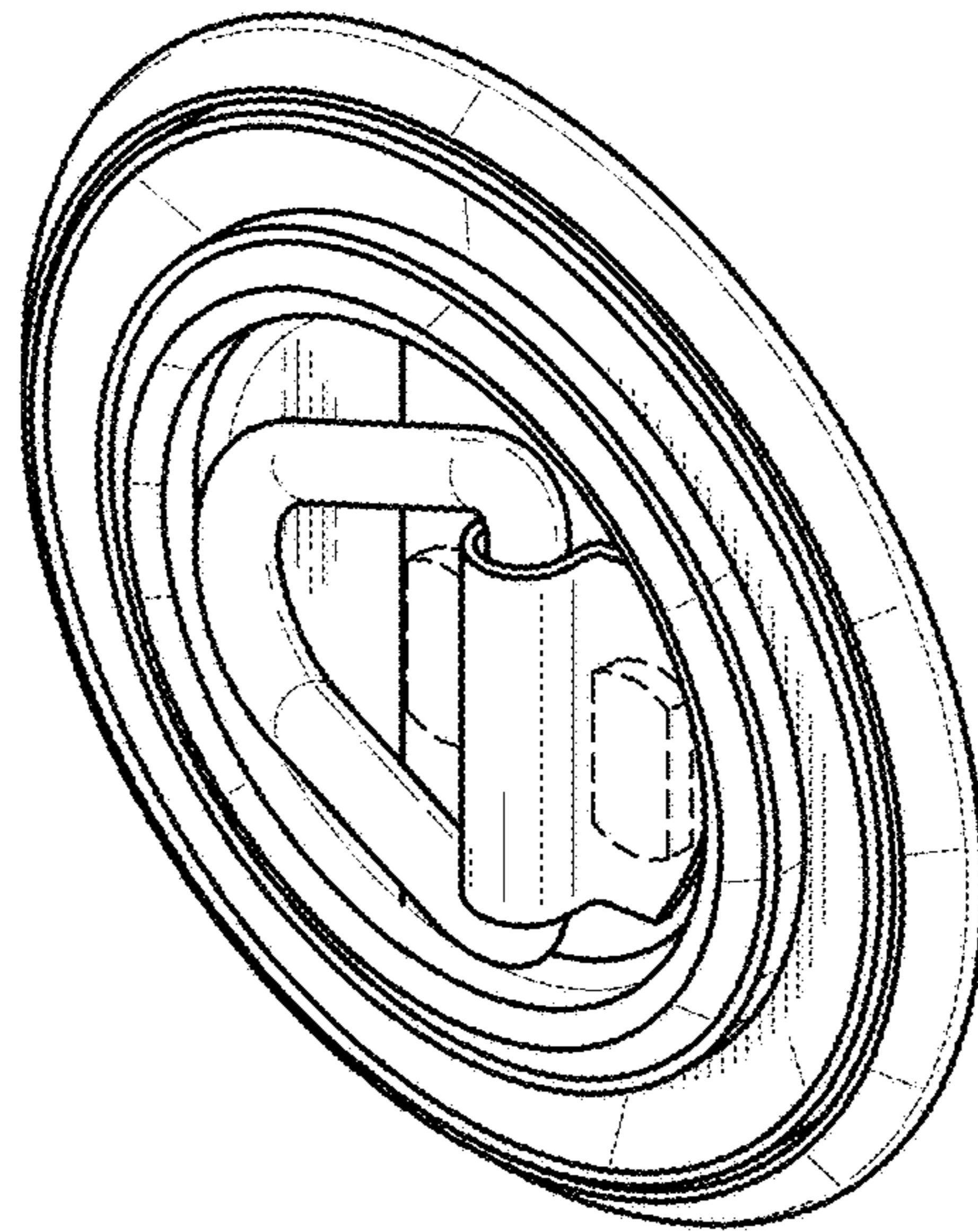


FIG. 1

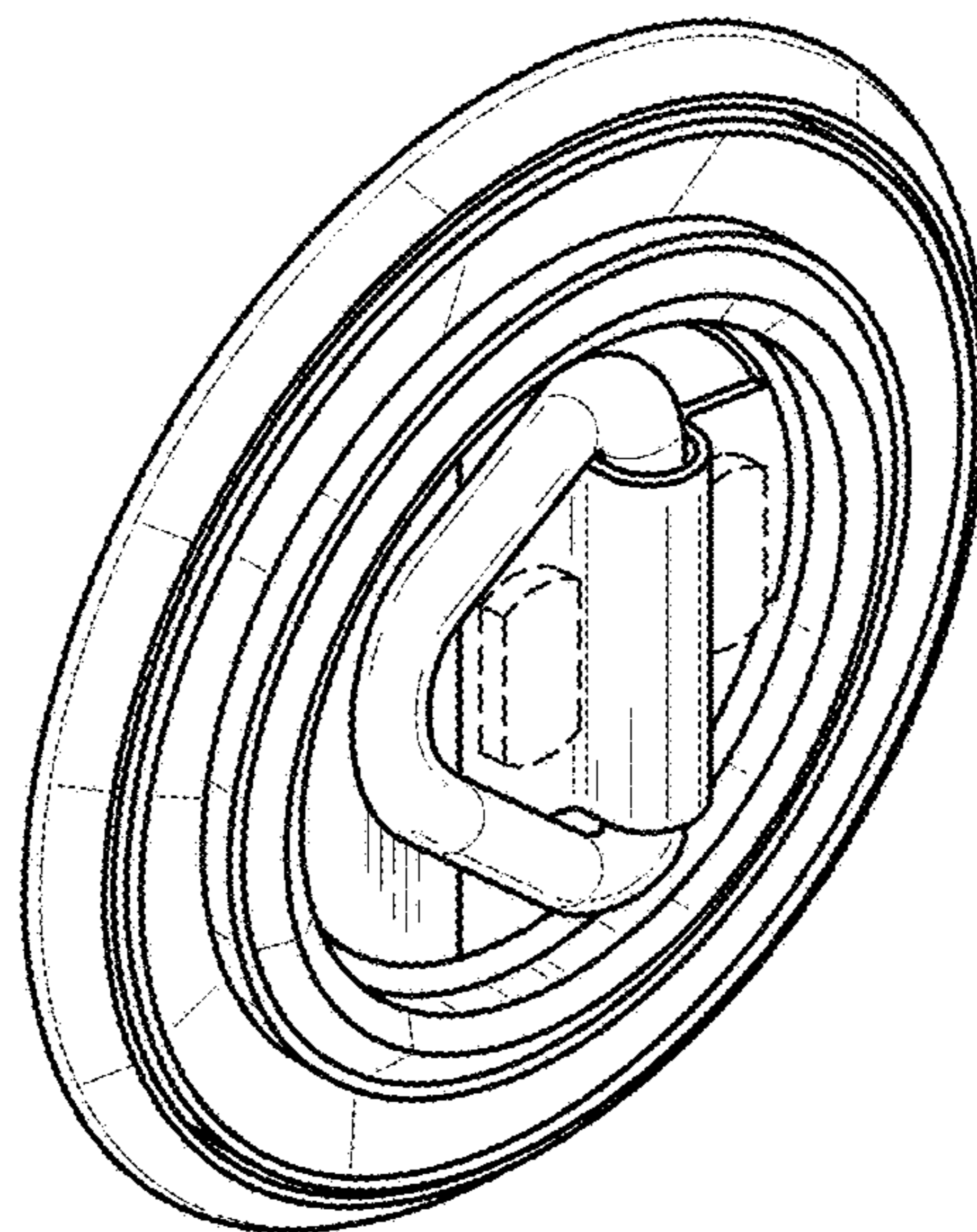


FIG. 2

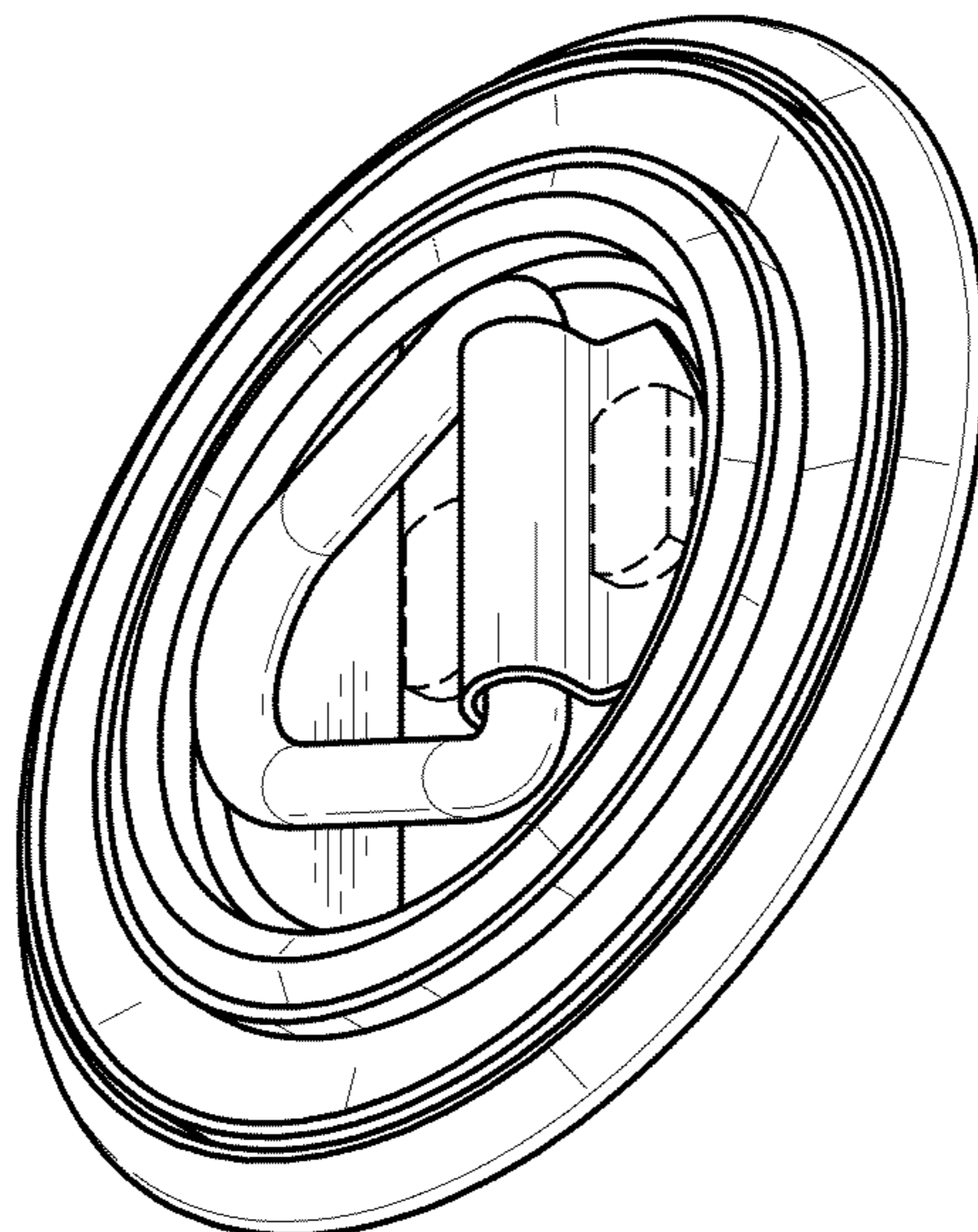


FIG. 3

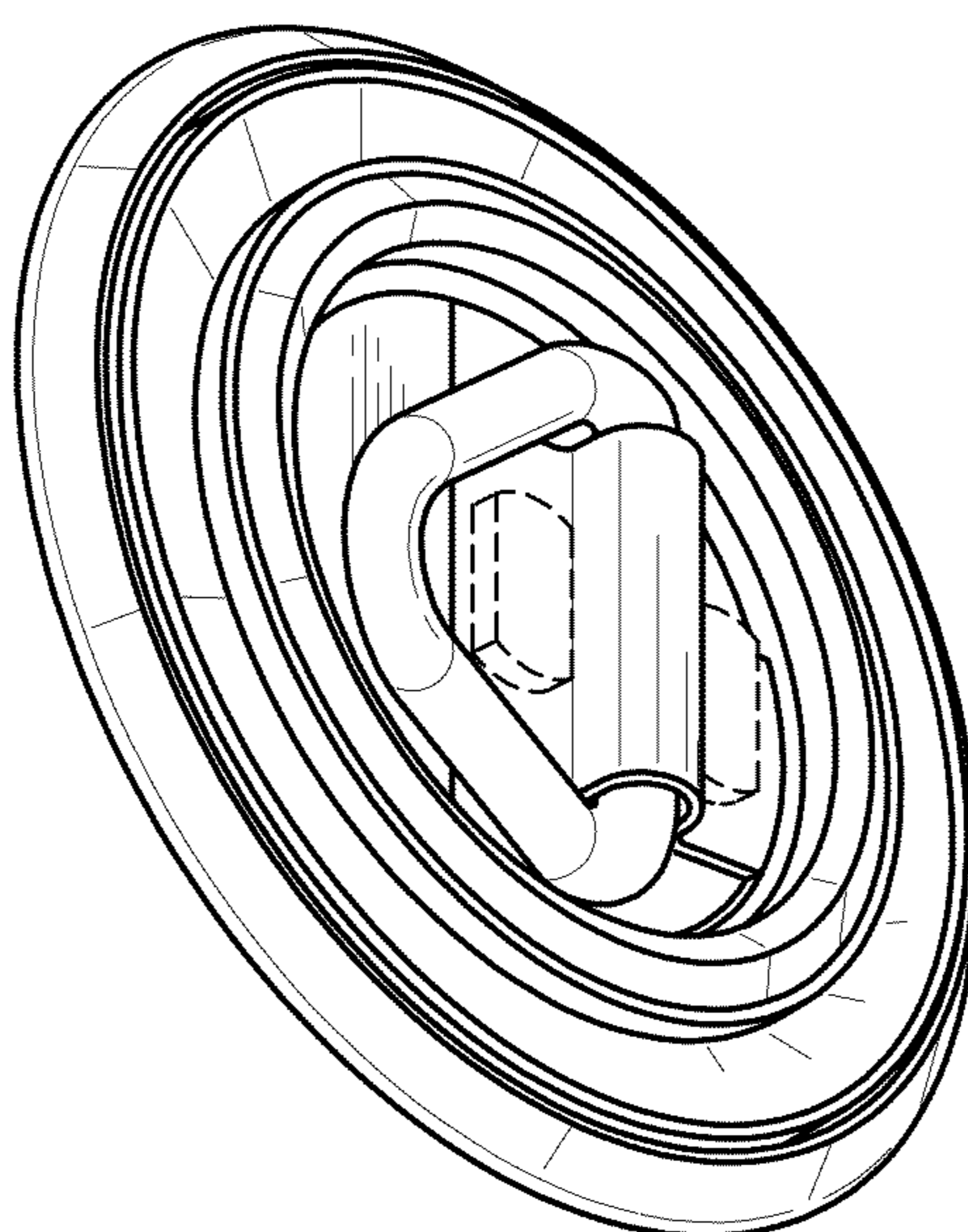


FIG. 4

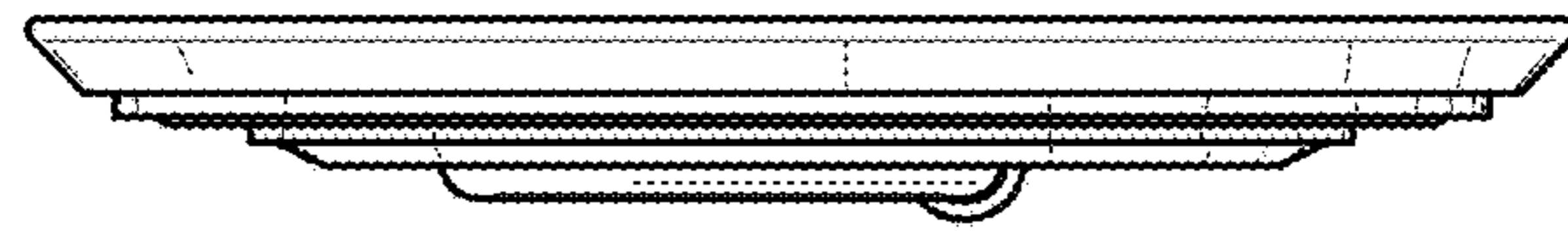


FIG. 8

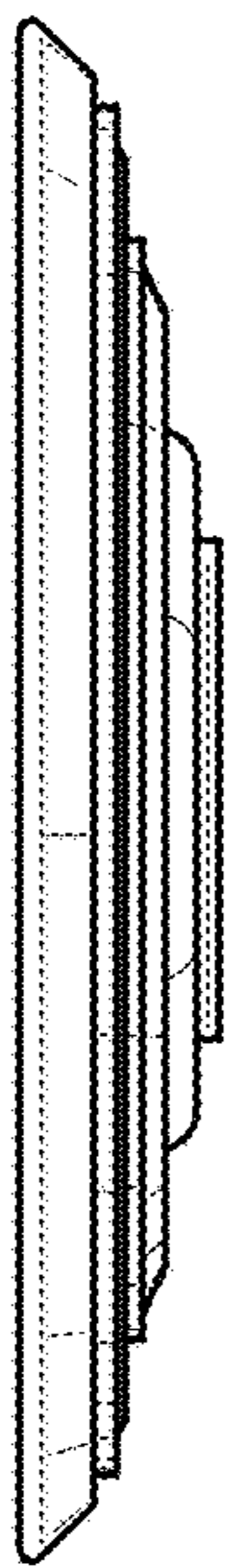


FIG. 7

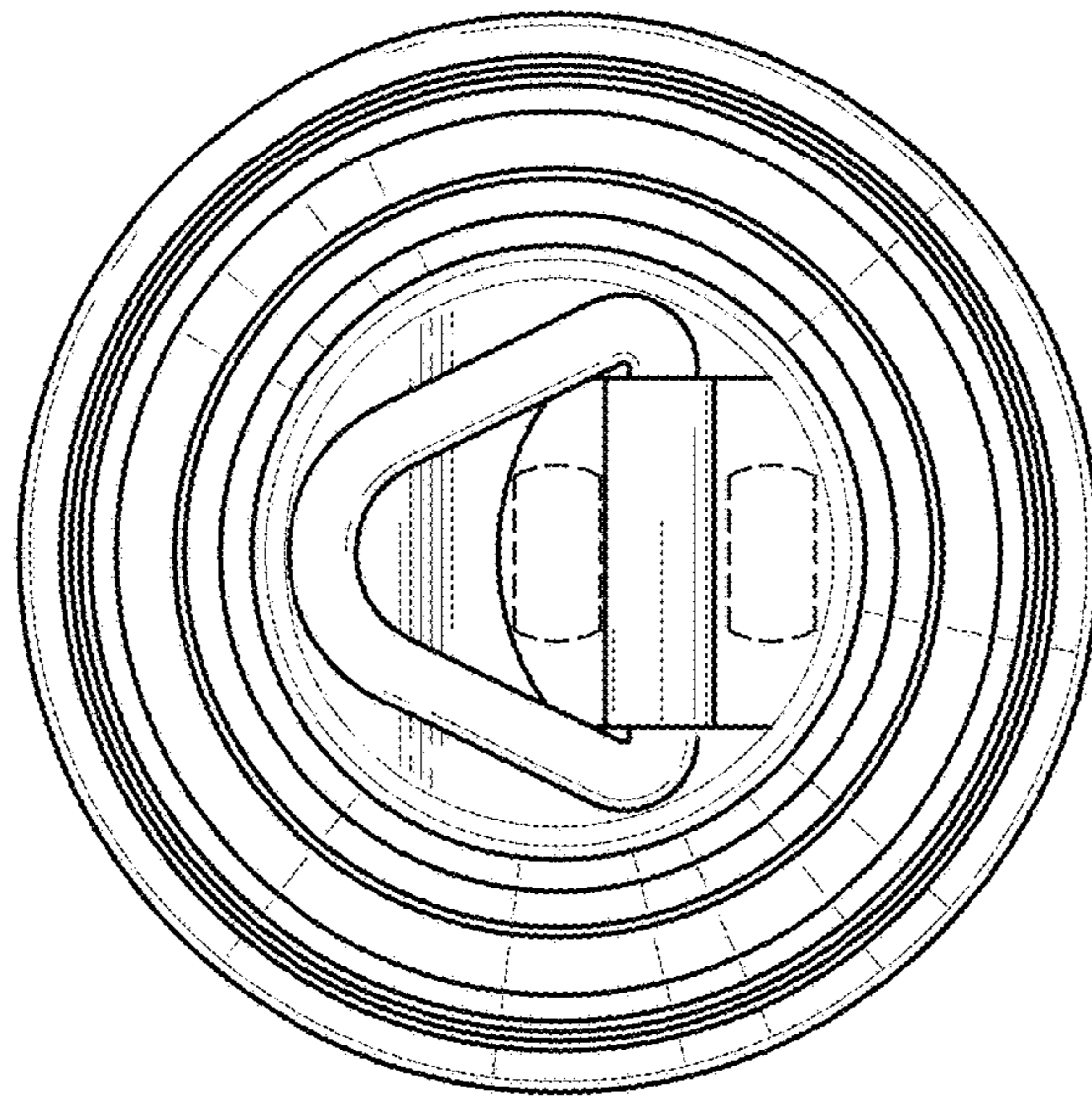


FIG. 5

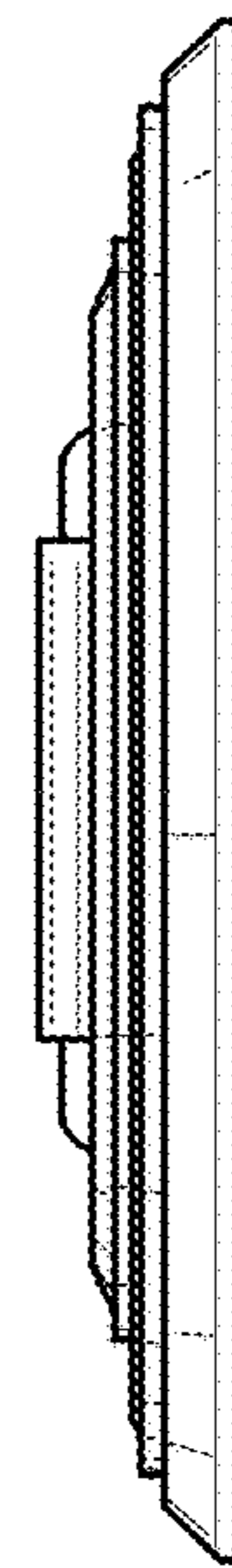


FIG. 6



FIG. 9