



US00D853824S

(12) **United States Design Patent** (10) **Patent No.:** **US D853,824 S**
Kravchenko (45) **Date of Patent:** **** Jul. 16, 2019**

(54) **SUCTION CUP BASE**
 (71) Applicant: **Alina Kravchenko**, Houston, TX (US)
 (72) Inventor: **Alina Kravchenko**, Houston, TX (US)
 (**) Term: **15 Years**
 (21) Appl. No.: **29/609,584**
 (22) Filed: **Jul. 1, 2017**
 (51) **LOC (11) Cl.** **08-05**
 (52) **U.S. Cl.**
 USPC **D8/354**
 (58) **Field of Classification Search**
 USPC D7/601, 619.1; 351/155; D8/373, 349,
 D8/354; 248/206.2, 205.5
 CPC G02C 3/00; G02C 3/04; A45F 5/00; A45F
 2200/0541
 See application file for complete search history.

(56) **References Cited**
 U.S. PATENT DOCUMENTS

2,501,942 A * 3/1950 Hueter F16B 47/00
 248/362
 D164,572 S * 9/1951 Johnson D7/624.1
 D351,970 S * 11/1994 Barrio D7/619.1
 D357,170 S * 4/1995 Wellsfry D8/349
 D374,596 S * 10/1996 Delchev D14/217
 D388,691 S * 1/1998 Adams D8/354
 D438,760 S * 3/2001 Kiernan D7/608
 D457,782 S * 5/2002 Snell D7/396.2
 D538,992 S * 3/2007 Snell D19/85
 7,246,781 B2 7/2007 Nam
 D550,509 S * 9/2007 Dretzka D7/509
 D578,868 S * 10/2008 Ramakers D8/354
 D597,376 S * 8/2009 Reay D7/509
 D623,898 S * 9/2010 Snell D7/509

D623,984 S * 9/2010 Bas D11/146
 D648,180 S * 11/2011 Kraemer D7/523
 D648,181 S * 11/2011 Kraemer D7/523
 D696,673 S * 12/2013 Vogel D14/447
 D696,674 S * 12/2013 Vogel D14/447
 8,602,376 B2 * 12/2013 Vogel F16M 11/14
 248/371
 D705,607 S * 5/2014 Zorovich D7/523
 D714,126 S * 9/2014 Pyon D8/349
 D734,746 S * 7/2015 Vogel D14/253
 9,801,483 B2 * 10/2017 D'Alesio A47G 23/0225
 2008/0017764 A1 * 1/2008 Nan A61H 19/44
 248/133
 2012/0093567 A1 * 4/2012 Kravchenko A45D 40/22
 401/143
 2016/0278557 A1 * 9/2016 Esposito A47G 23/0225

* cited by examiner

Primary Examiner — Janice Hallmark
Assistant Examiner — Harold E Blackwell, II
 (74) *Attorney, Agent, or Firm* — Scot S. Fagerland, Esq.

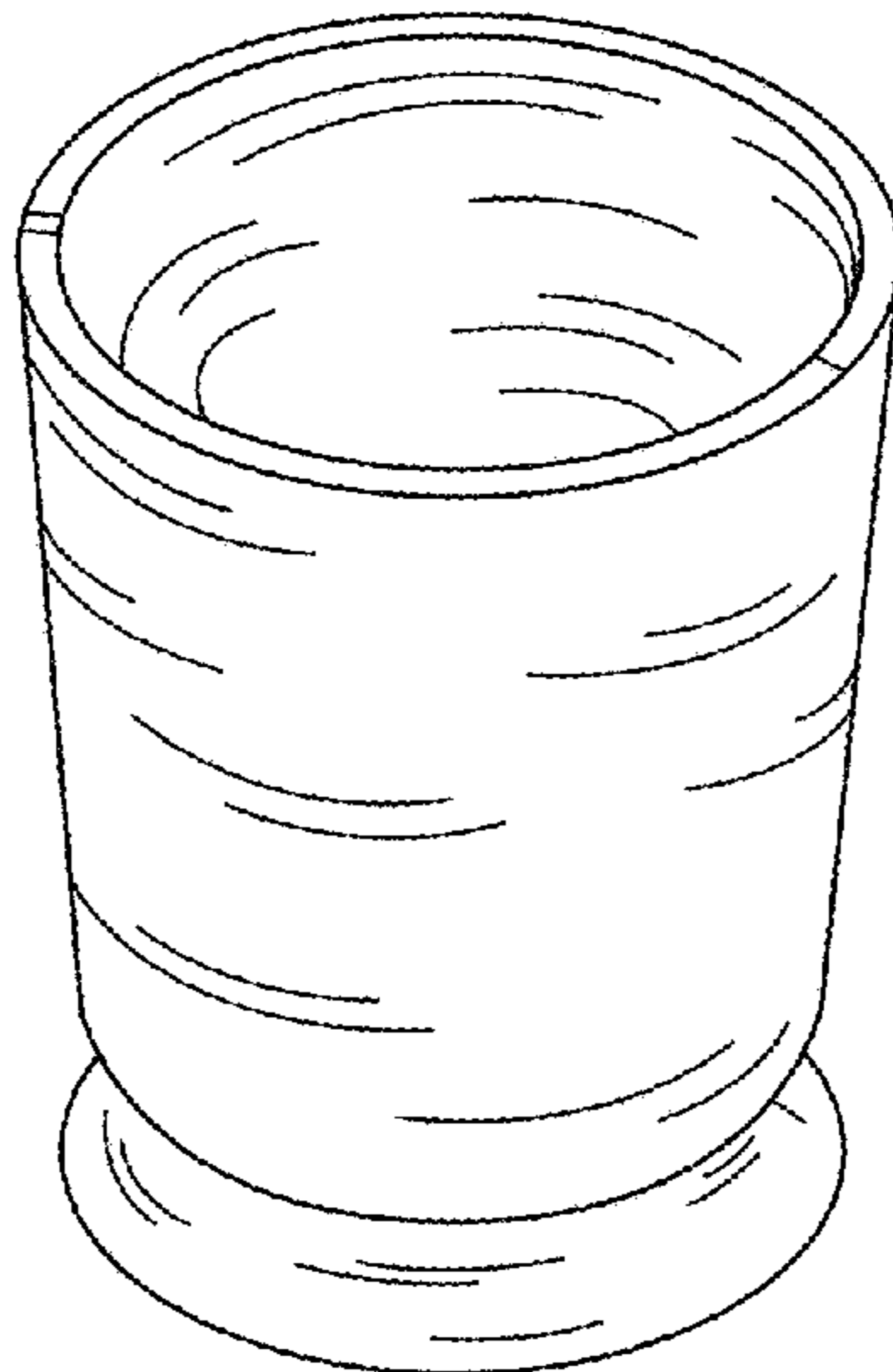
(57) **CLAIM**

I claim the ornamental design for a suction cup base, as shown and described.

DESCRIPTION

FIG. 1 is a top perspective view of a suction cup base, showing my new design;
 FIG. 2 is a front plan view, which is identical to a rear plan view, a left plan view, and a right plan view thereof;
 FIG. 3 is a bottom perspective view thereof;
 FIG. 4 is a top plan view thereof; and,
 FIG. 5 is a bottom plan view thereof.
 The broken lines in FIG. 4 illustrate portions of the suction cup base that form no part of the claimed design.

1 Claim, 4 Drawing Sheets



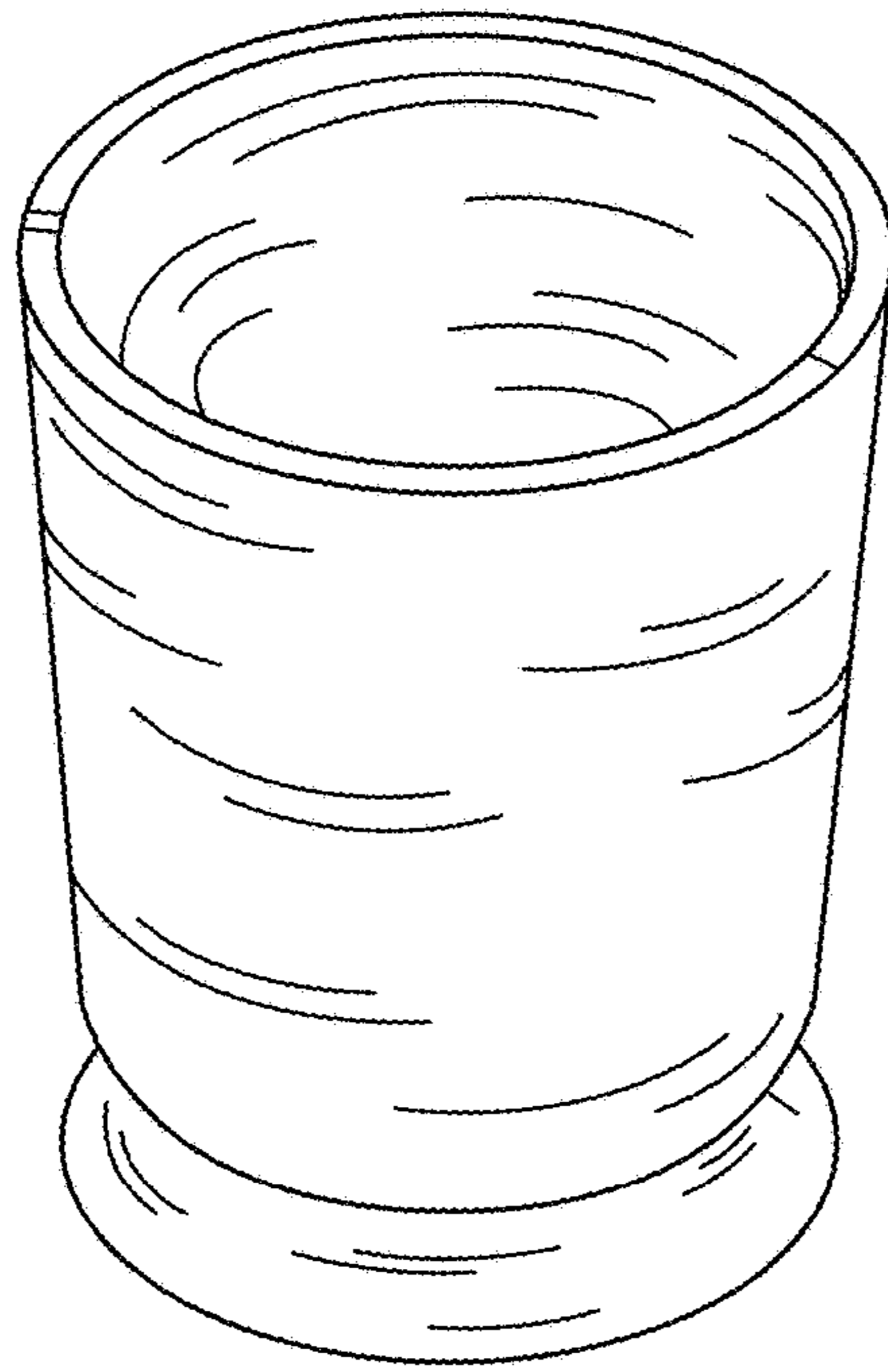


fig. 1

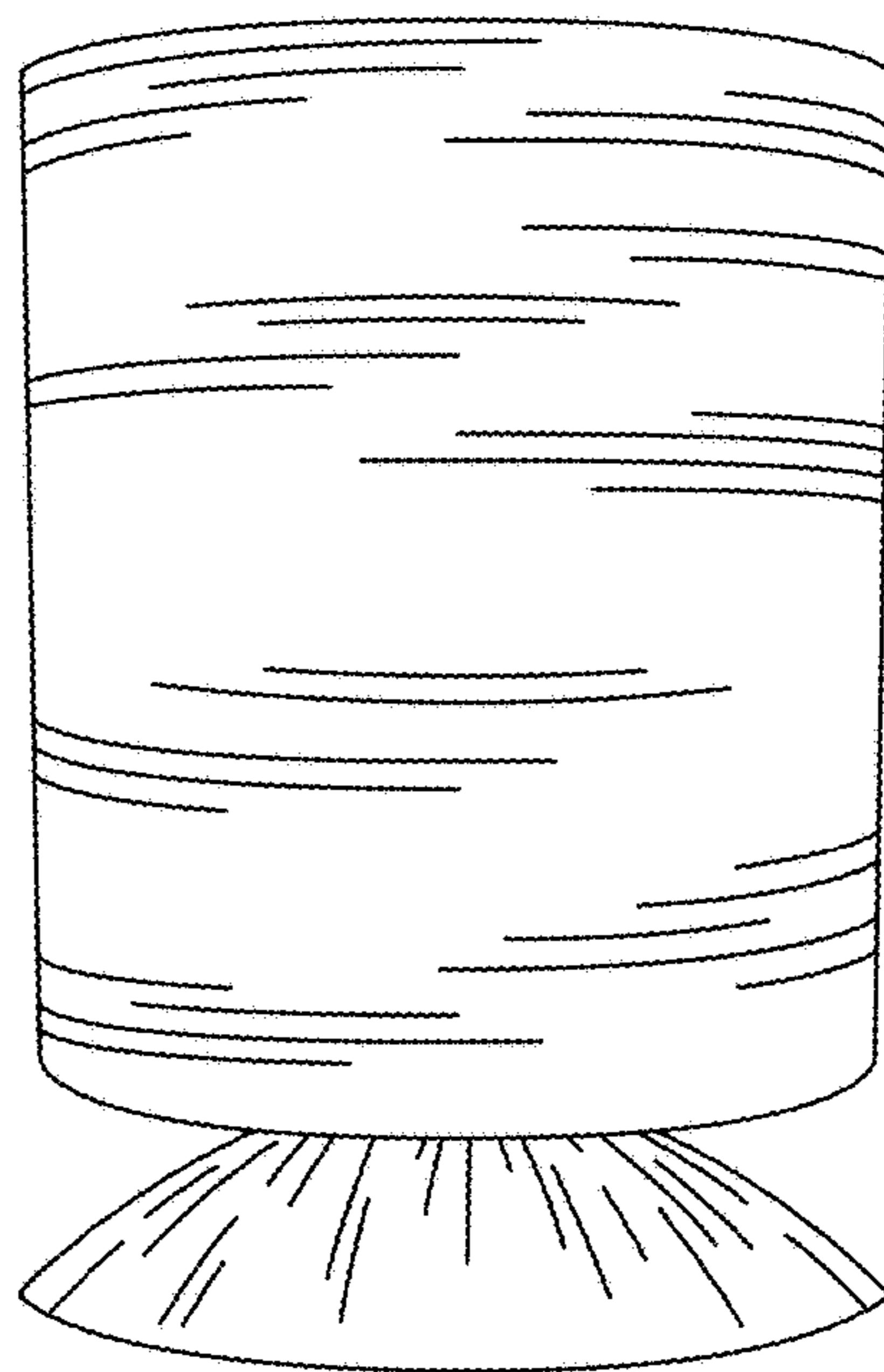


fig. 2

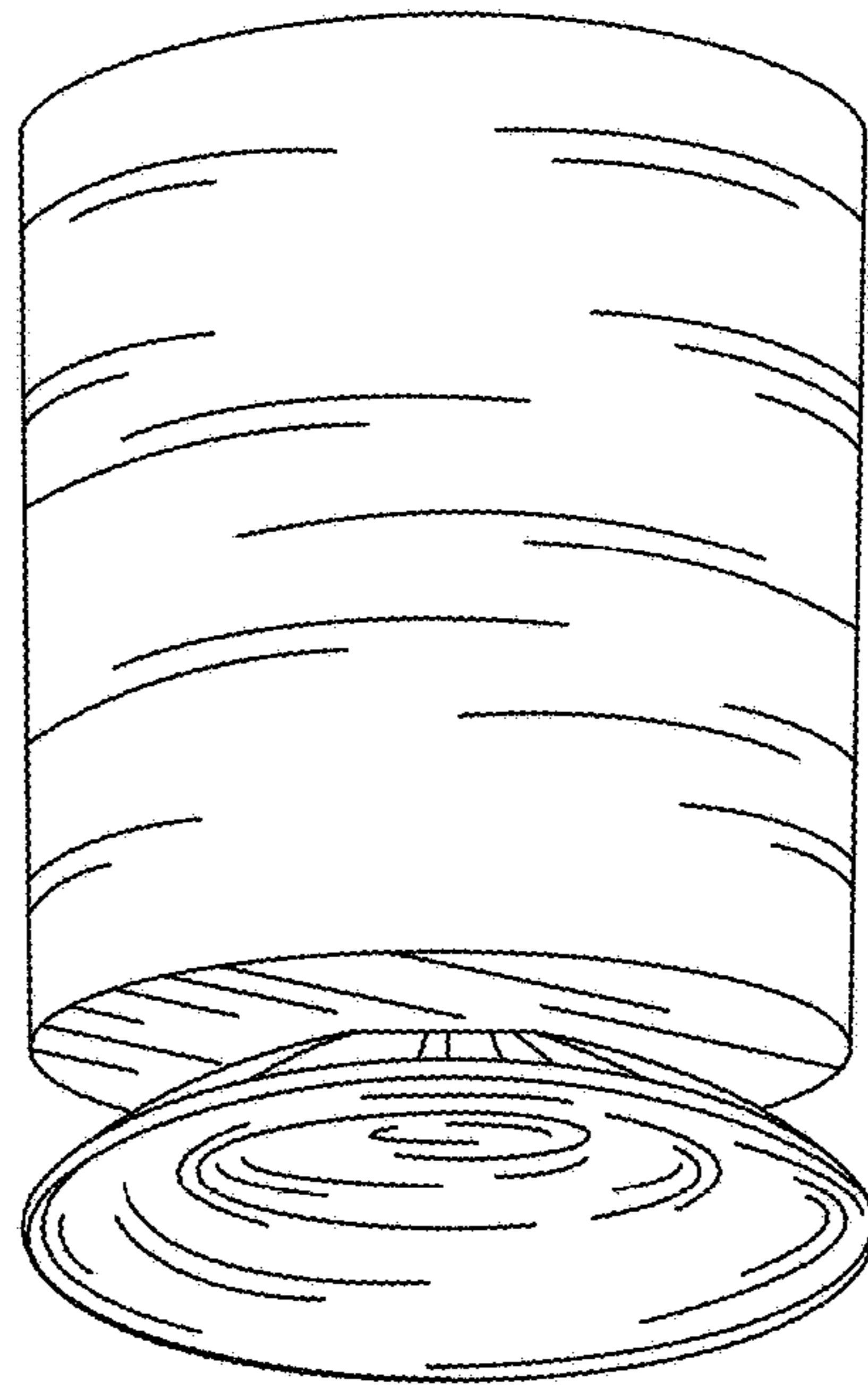


fig. 3

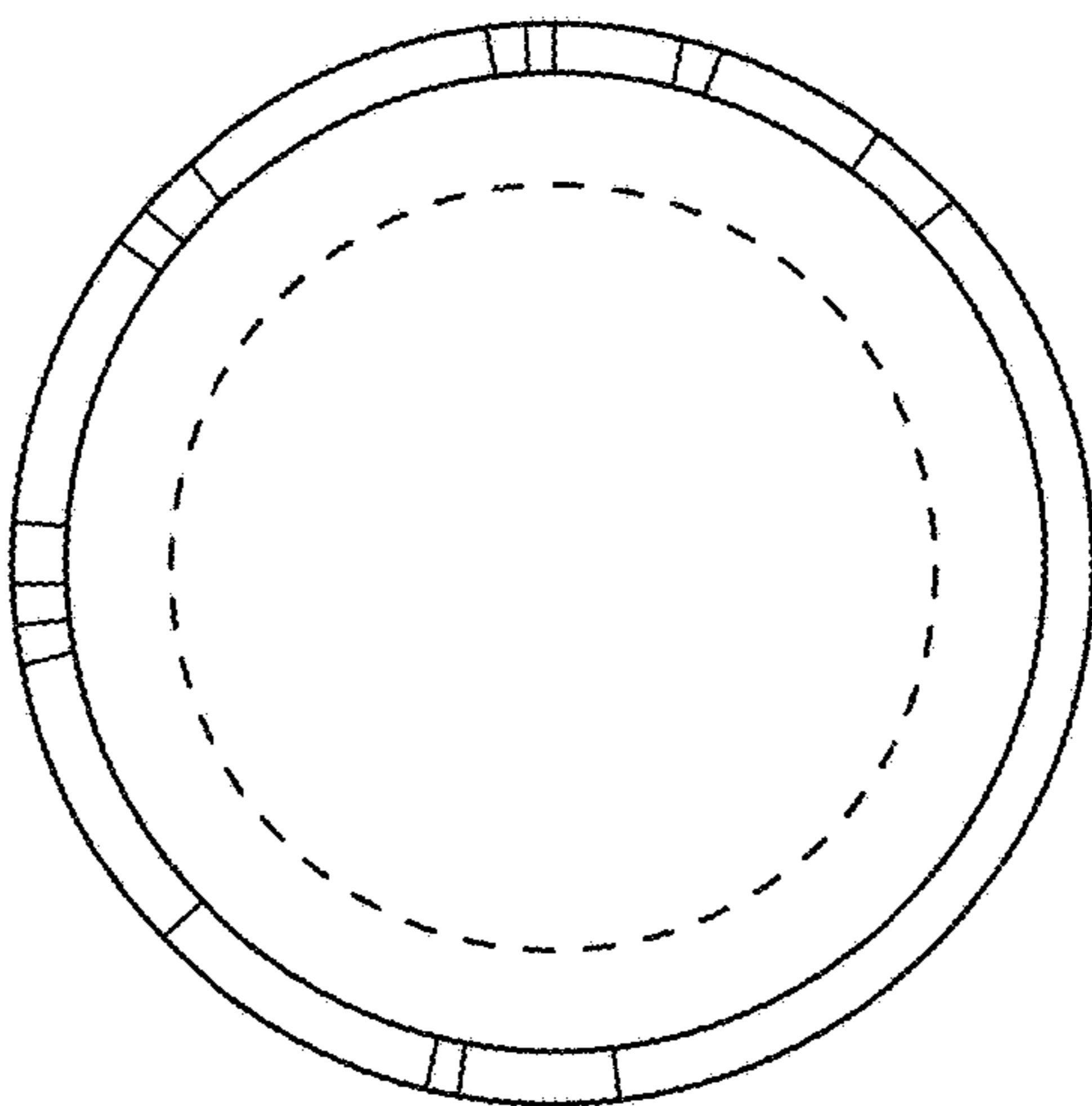


fig. 4

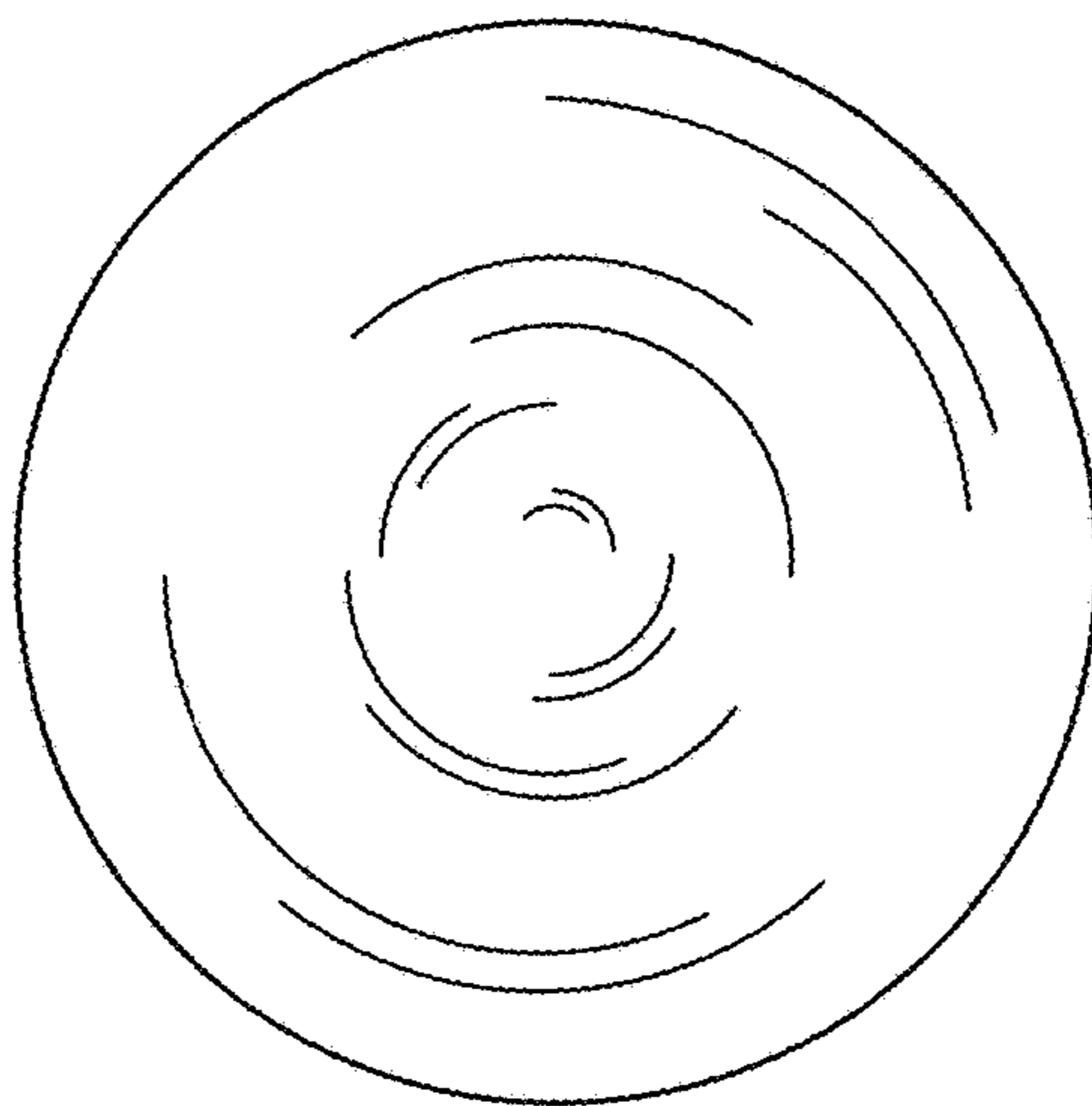


fig. 5