



US00D853823S

(12) **United States Design Patent** (10) **Patent No.:** **US D853,823 S**  
**Hsu** (45) **Date of Patent:** **\*\* Jul. 16, 2019**

(54) **LOCK**

(56) **References Cited**

(71) Applicant: **Spectrum Brands, Inc.**, Middleton, WI (US)

U.S. PATENT DOCUMENTS

(72) Inventor: **Wei Hsu**, Lake Forest, CA (US)

D732,372 S \* 6/2015 Gao ..... D8/334  
D802,397 S \* 11/2017 Schneider ..... D8/331  
10,122,138 B2 \* 11/2018 Uyeda ..... E05B 47/00  
2014/0250956 A1 \* 9/2014 Chong ..... 70/278.1  
2018/0128017 A1 \* 5/2018 Frolov ..... E05B 47/0692

(73) Assignee: **Spectrum Brands, Inc.**, Middleton, WI (US)

\* cited by examiner

(\*\*) Term: **15 Years**

*Primary Examiner* — Ian Simmons

(21) Appl. No.: **29/641,247**

*Assistant Examiner* — Yolanda Robinson

(22) Filed: **Mar. 20, 2018**

(74) *Attorney, Agent, or Firm* — Banner & Witcoff, Ltd.

(51) **LOC (11) Cl.** ..... **08-07**

(57) **CLAIM**

The ornamental design for a lock, as shown and described.

(52) **U.S. Cl.**

**DESCRIPTION**

USPC ..... **D8/334**

(58) **Field of Classification Search**

USPC ..... D8/330, 333, 334, 335, 336, 337, 338,  
D8/341, 342, 348, 350, 352, 339;  
70/20-22, 57, 57.1, DIG. 26, DIG. 27,  
70/DIG. 44, 91, 92, 102, 141, 237, 262,  
70/263, 266, 278.1, 279.1  
CPC ... E05B 9/00; E05B 9/02; E05B 47/00; E05B  
49/00; E05B 37/00; E05B 1/00; E05B  
47/0692; E05B 63/044; E05B 15/02;  
H01H 9/00

FIG. 1 is a front perspective view of a lock showing my new design;

FIG. 2 is a front view thereof;

FIG. 3 is a right side view thereof;

FIG. 4 is a left side view thereof;

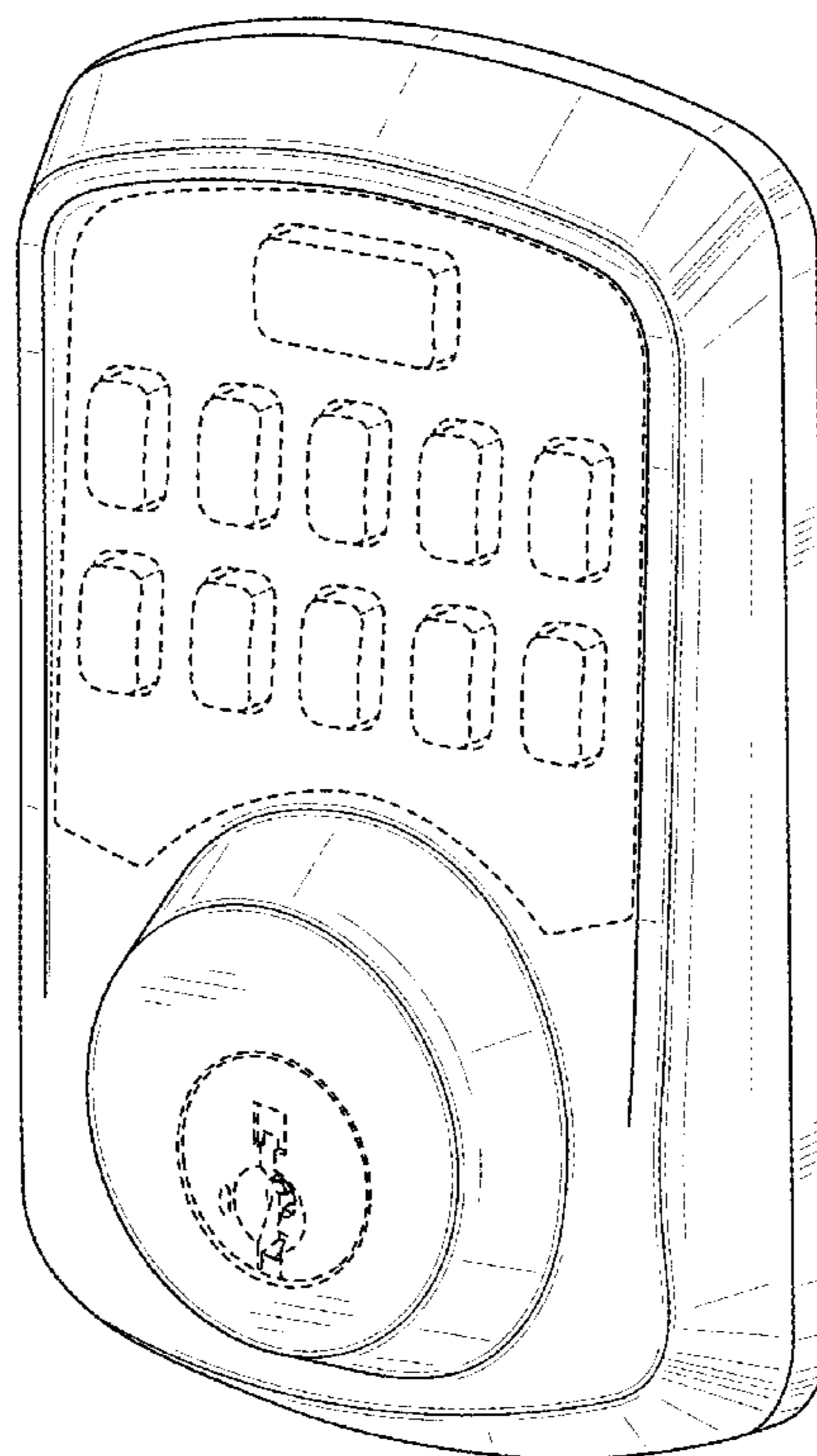
FIG. 5 is a top view thereof; and,

FIG. 6 is a bottom view thereof.

The broken lines depicting the locking cylinder and front keypad panel area form no part of the claimed design.

See application file for complete search history.

**1 Claim, 5 Drawing Sheets**



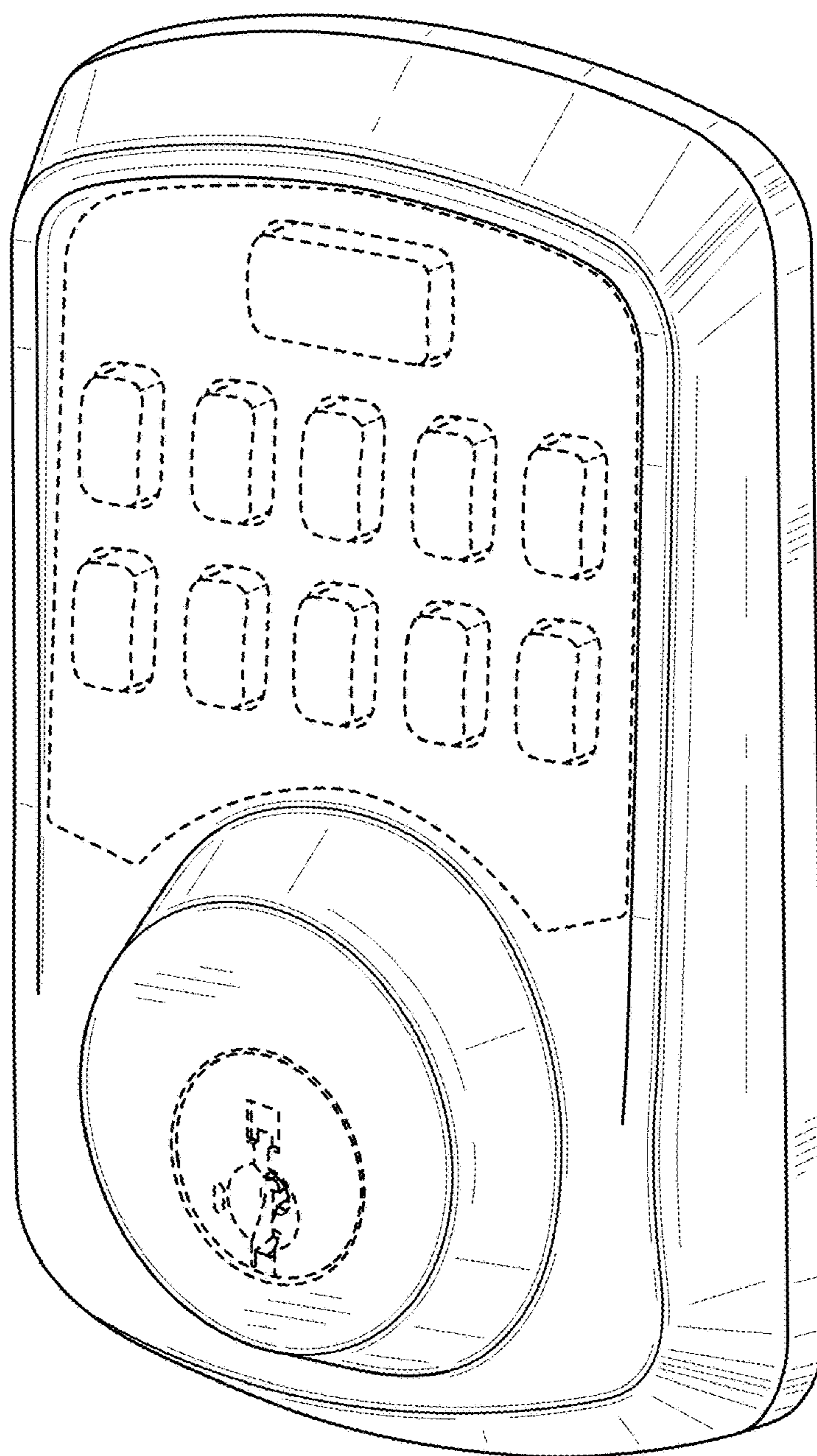


FIG. 1

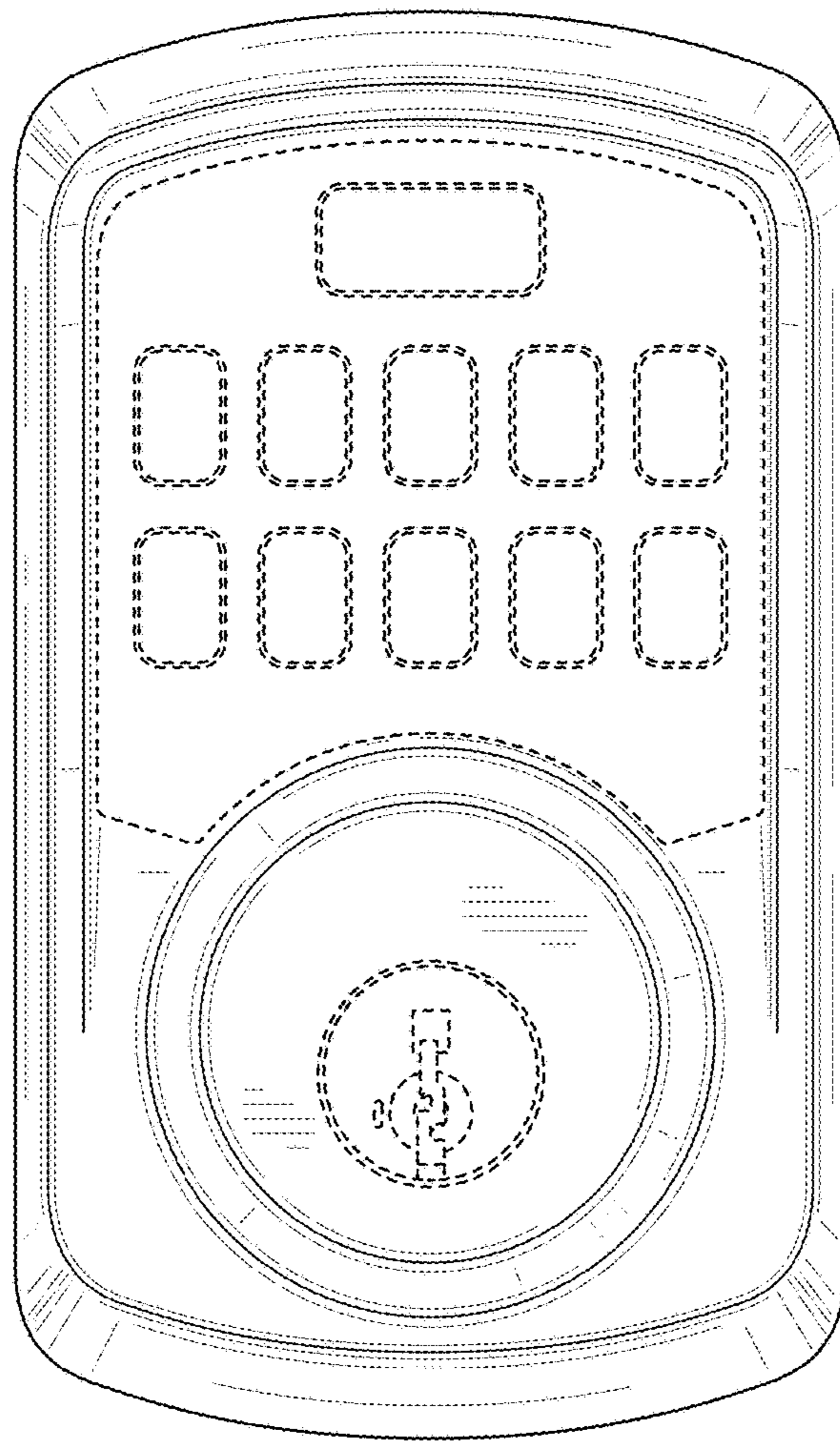


FIG. 2

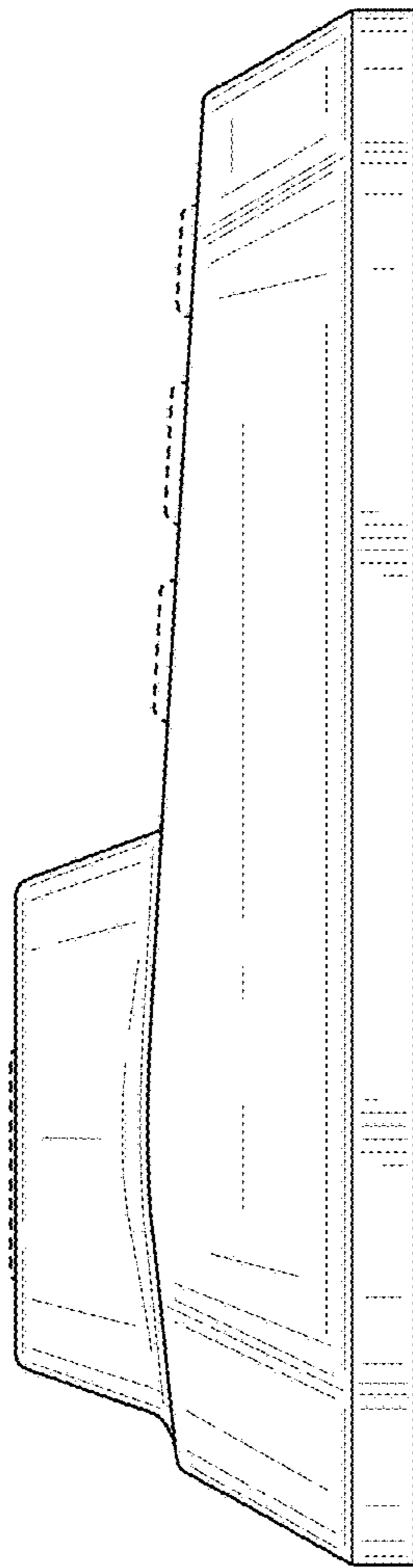


FIG. 3

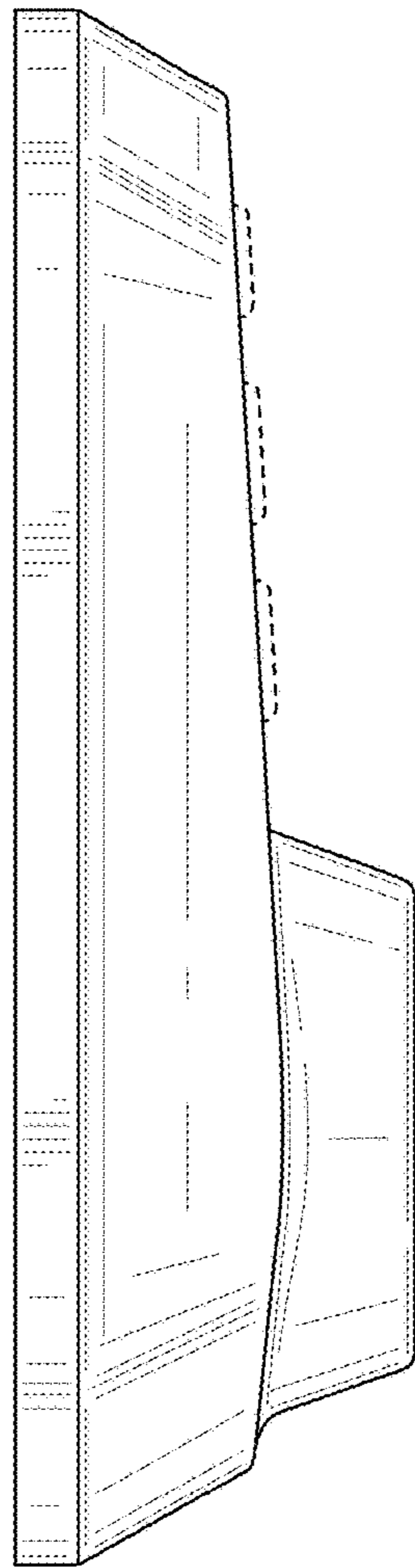


FIG. 4



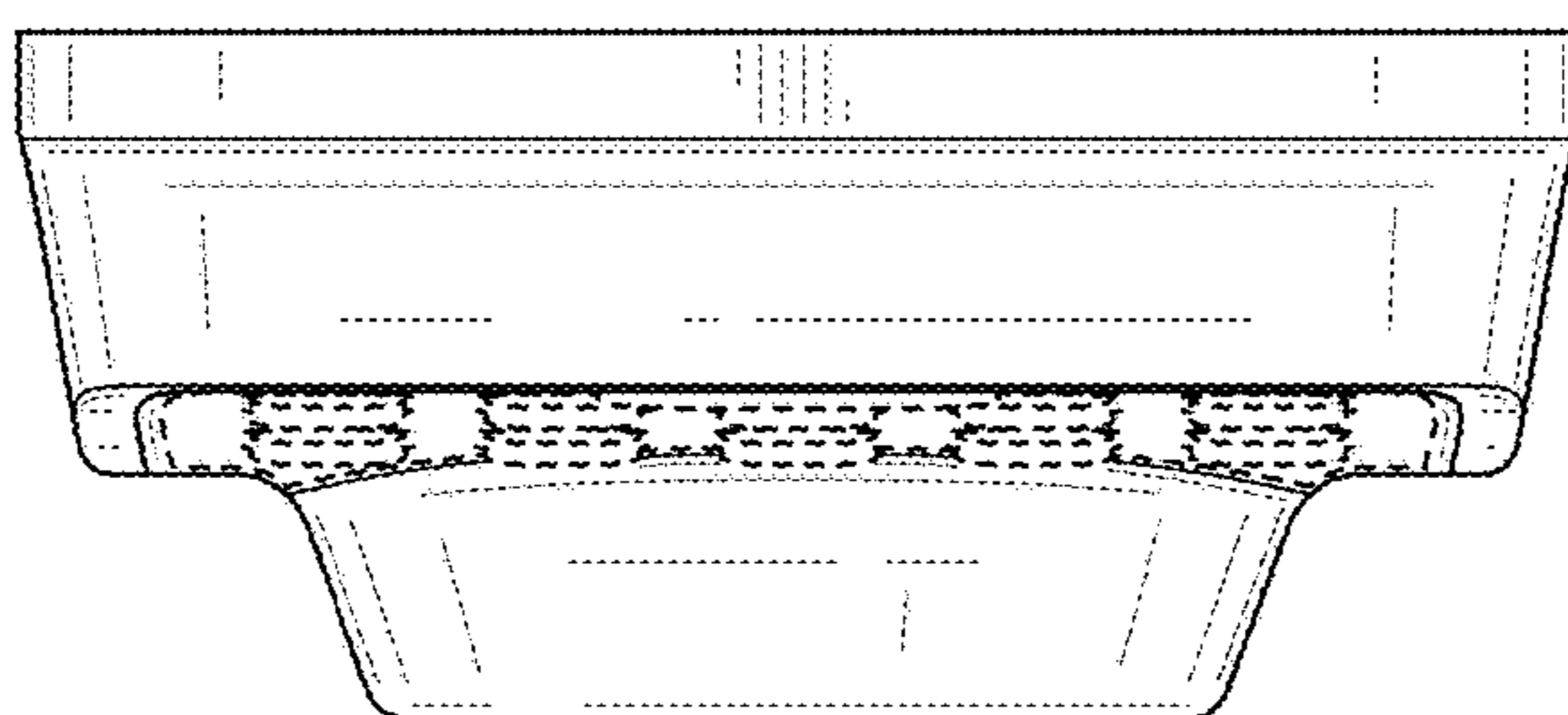


FIG. 5

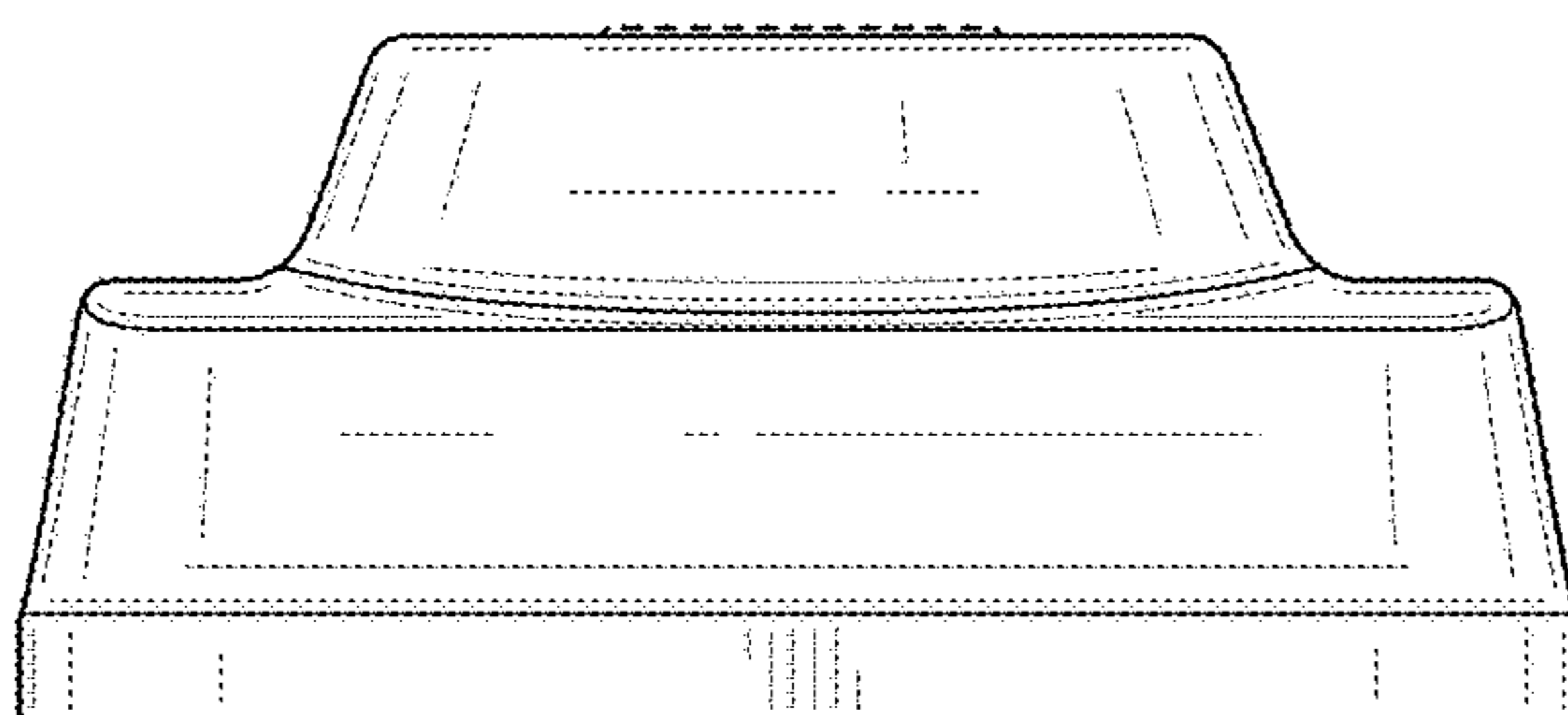


FIG. 6