



US00D853822S

(12) **United States Design Patent**
Hanlon

(10) **Patent No.:** **US D853,822 S**

(45) **Date of Patent:** **** Jul. 16, 2019**

(54) **HANDLE FOR UTILITY STAND**

(71) Applicant: **JS Products, Inc.**, Las Vegas, NV (US)

(72) Inventor: **Jared W. Hanlon**, Las Vegas, NV (US)

(73) Assignee: **JS Products, Inc.**, Las Vegas, NV (US)

(**) Term: **15 Years**

(21) Appl. No.: **29/545,595**

(22) Filed: **Nov. 13, 2015**

(51) **LOC (11) Cl.** **08-06**

(52) **U.S. Cl.**
USPC **D8/319**

(58) **Field of Classification Search**
USPC D8/315-322; D3/318, 321, 322, 328,
D3/216, 217, 273, 276, 279, 281, 282,
D3/291; 294/159, 167, 170, 171, 137
CPC A45C 2013/265; A45C 2013/267; A45C
13/28; A45C 13/22; A45C 2013/226;
A45C 2013/223; B65D 25/28
See application file for complete search history.

(56) **References Cited**

U.S. PATENT DOCUMENTS

D290,935 S *	7/1987	Williams	D8/315
6,918,475 B2 *	7/2005	Lin	A45C 13/262 16/113.1
D553,364 S *	10/2007	Moon	D3/318
D637,398 S *	5/2011	Jiang	D3/318
D651,803 S *	1/2012	Wu	D3/318
D681,954 S *	5/2013	Jiang	D3/318
D691,808 S *	10/2013	Wu	D3/318
D695,016 S *	12/2013	Moon	D3/318

D712,152 S *	9/2014	Tong	D3/318
D756,120 S *	5/2016	Horovitz	D3/318
D813,008 S *	3/2018	Stefnitz	D8/316
9,962,825 B2 *	5/2018	Gonzales	B25G 1/102
D839,429 S *	1/2019	Diaz Carmena	D24/158
D839,430 S *	1/2019	Diaz Carmena	D24/158

OTHER PUBLICATIONS

My Tool Store.Com, Protocol 92779 Multi-Pack / Miter Saw Handle and GFCI , Copyright 2016, Webpage Address (<http://www.mytoolstore.com/JS-Products-92779-Multi-Pack-Miter-Saw-Handle-and-GFCI>).*

* cited by examiner

Primary Examiner — Janice Hallmark
Assistant Examiner — Harold E Blackwell, II
(74) *Attorney, Agent, or Firm* — Weide & Miller, Ltd.

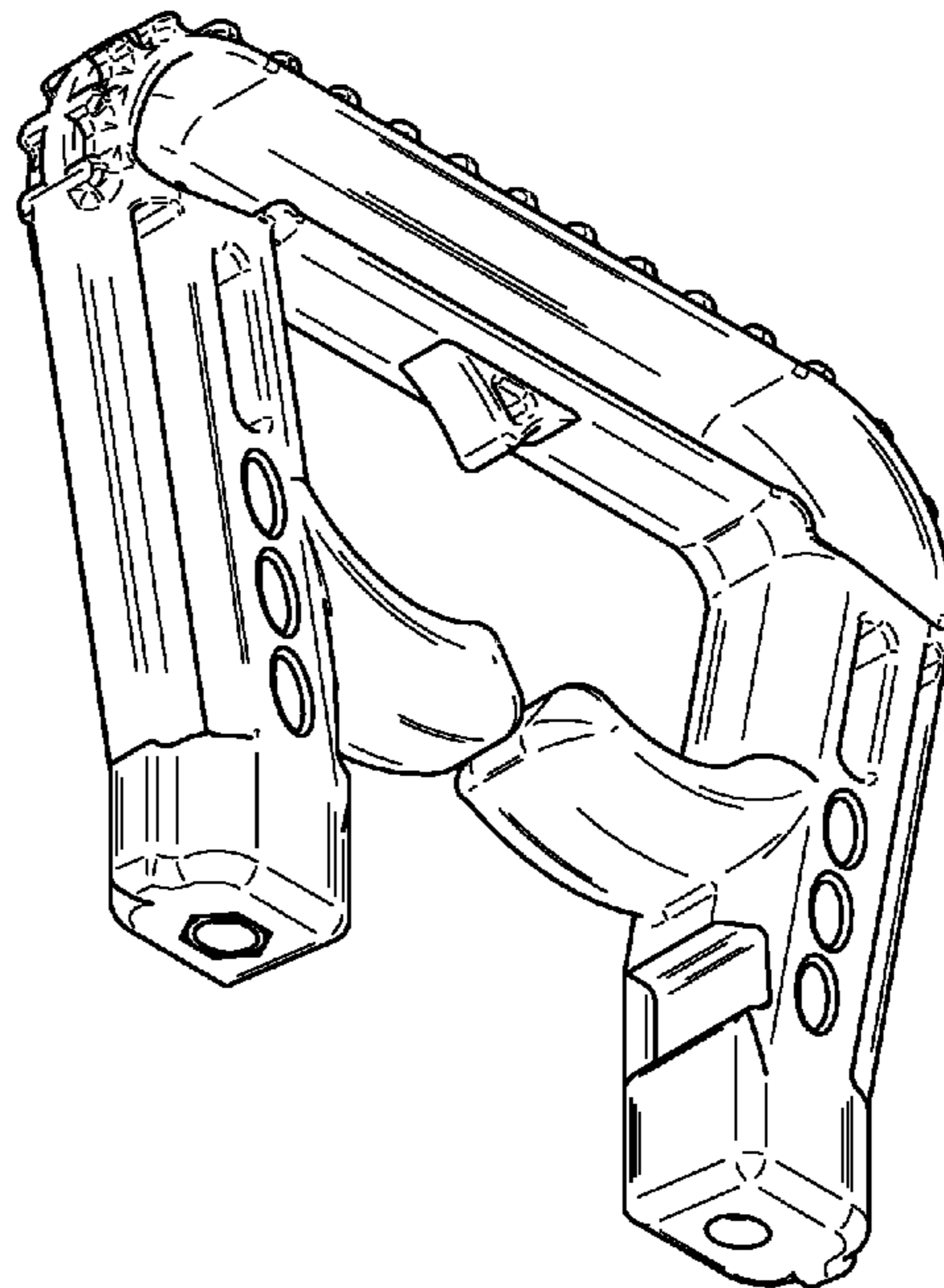
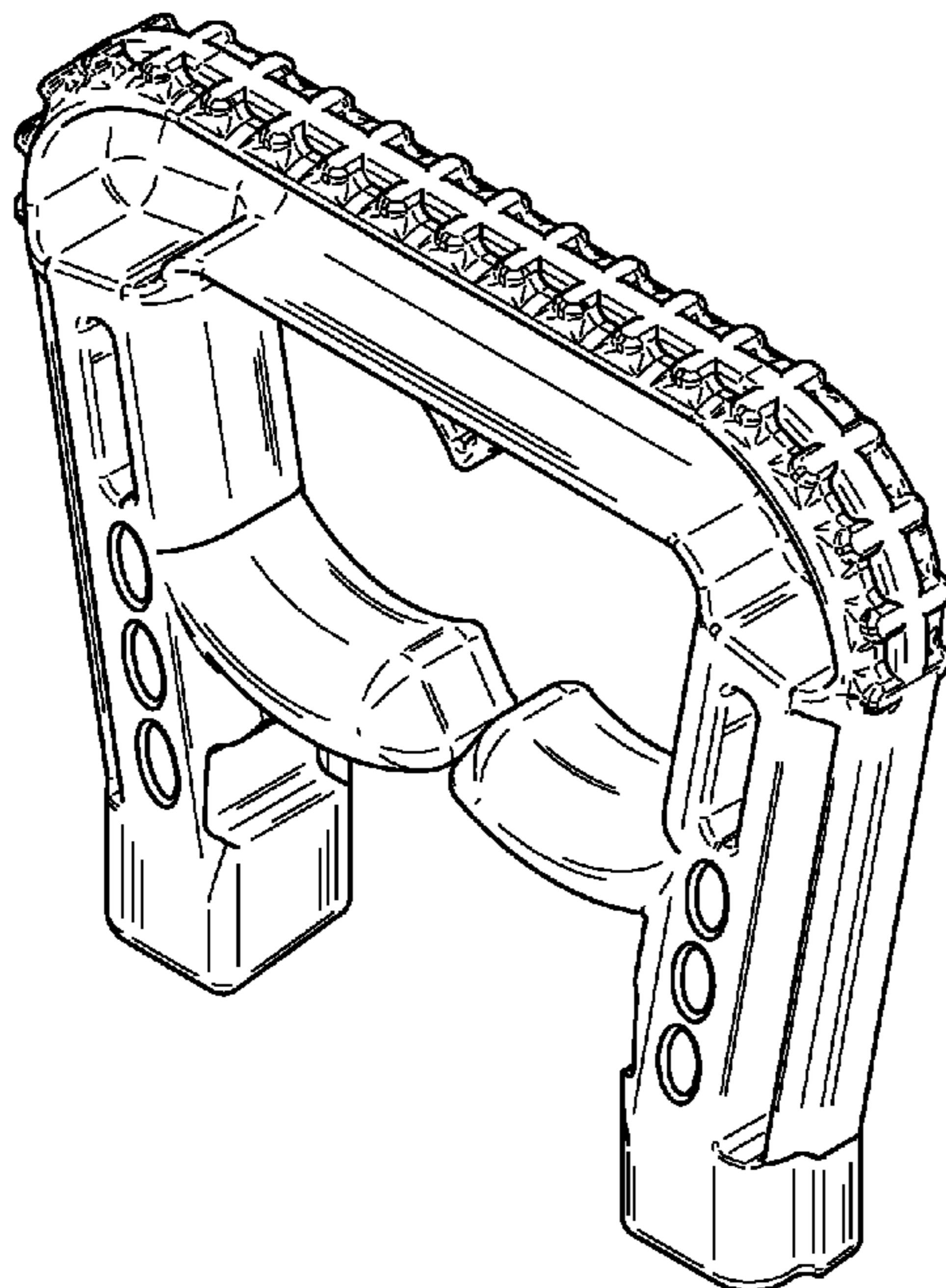
(57) **CLAIM**

The ornamental design for a handle for a utility stand, as shown and described.

DESCRIPTION

FIG. 1 is a top perspective view of a handle for a utility stand;
FIG. 2 is a bottom perspective view of the handle for a utility stand;
FIG. 3 is a front view of the handle for a utility stand;
FIG. 4 is a back side view of the handle for a utility stand;
FIG. 5 is a left side view of the handle for a utility stand;
FIG. 6 is a right side view of the handle for a utility stand;
FIG. 7 is a top view of the handle for a utility stand; and,
FIG. 8 is a bottom view of the handle for a utility stand.

1 Claim, 3 Drawing Sheets



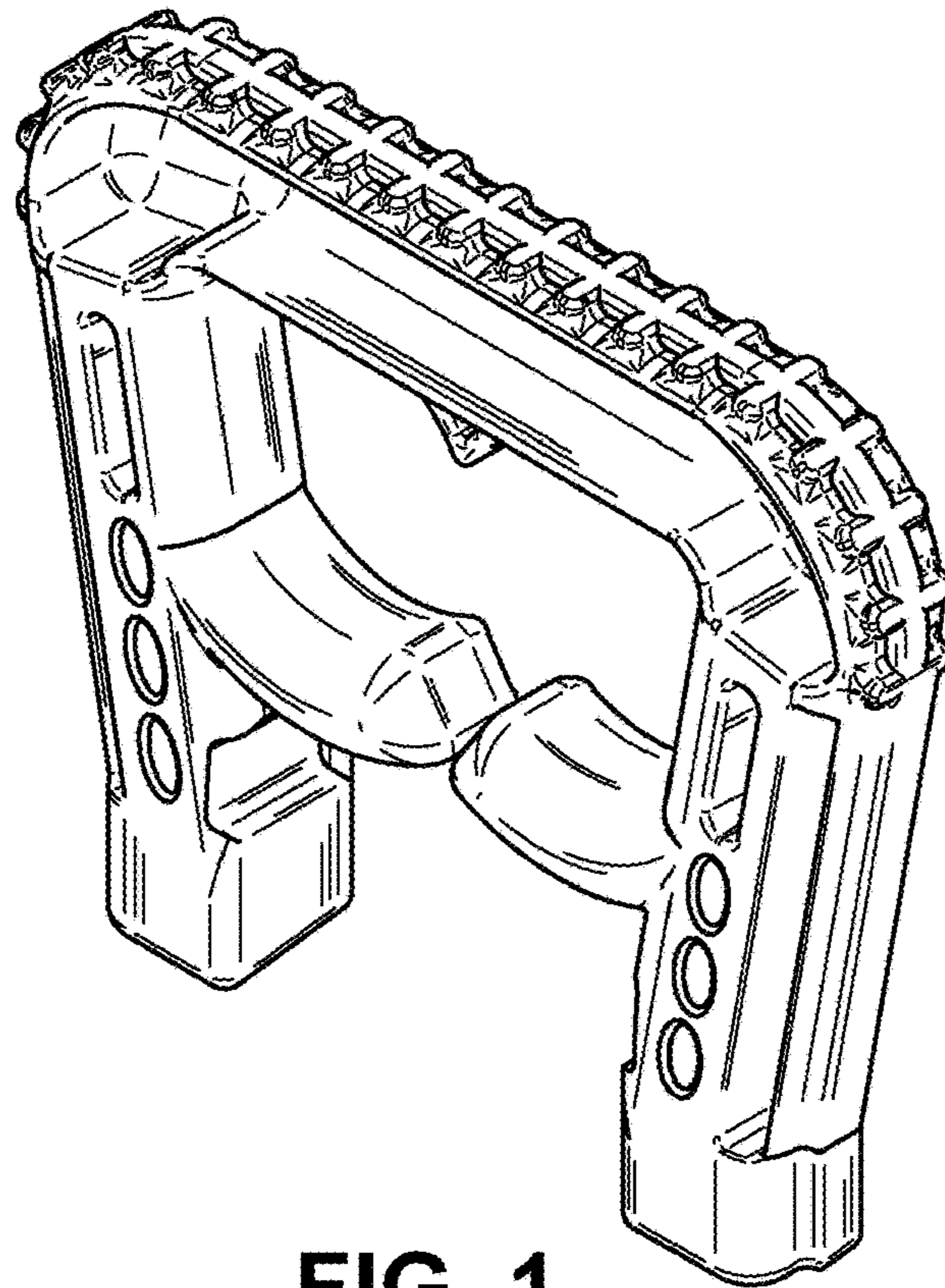


FIG. 1

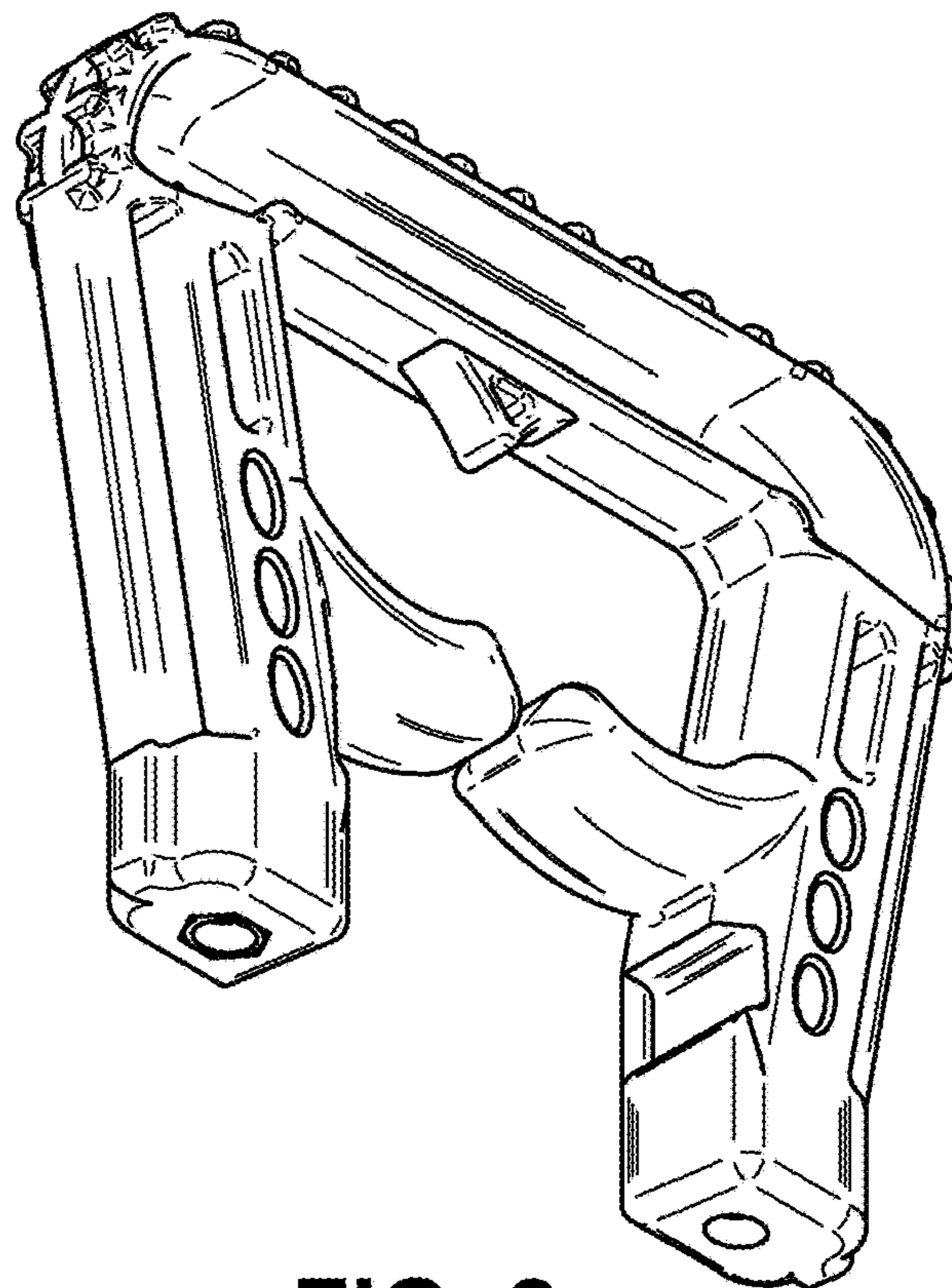


FIG. 2

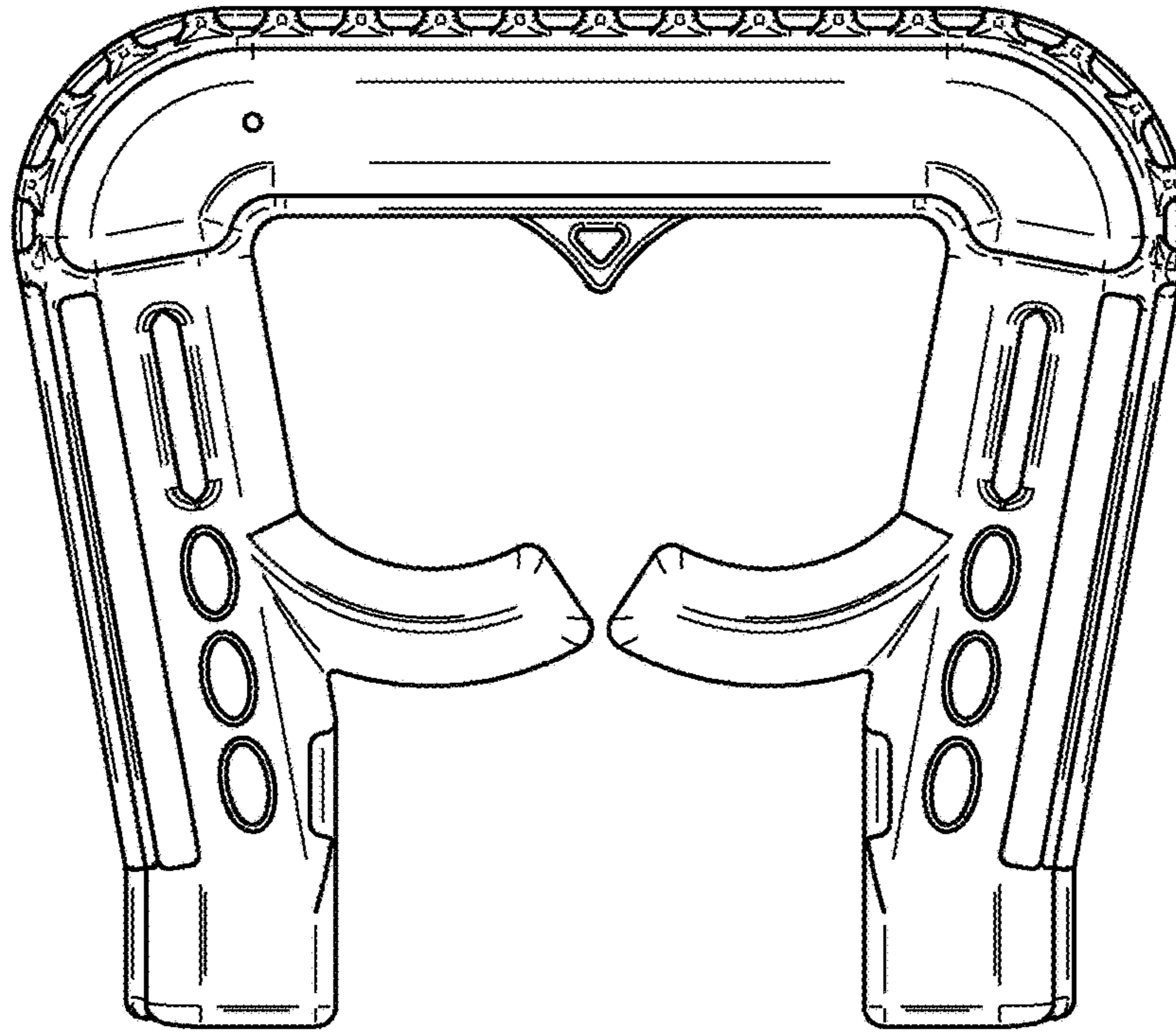


FIG. 3

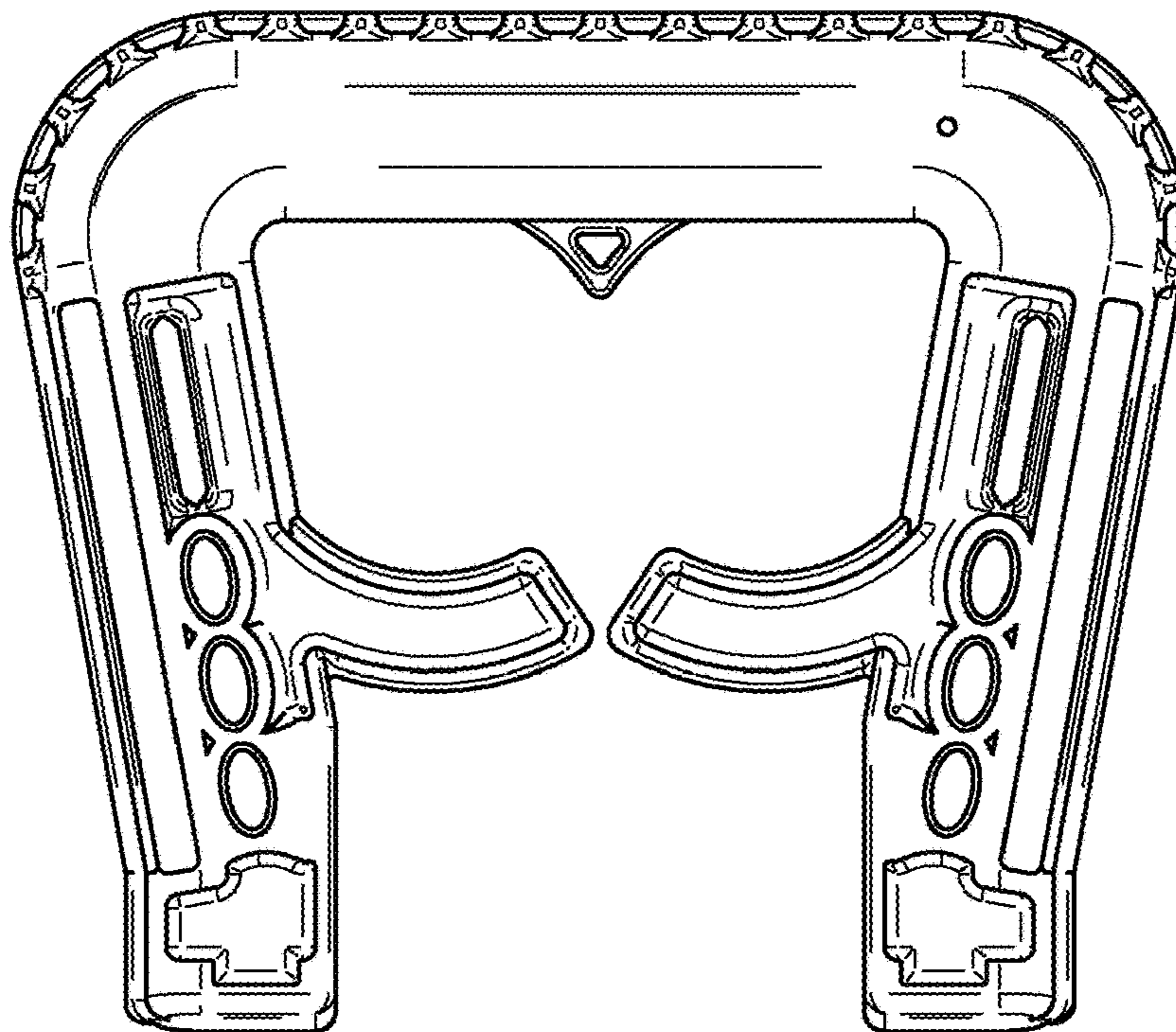


FIG. 4

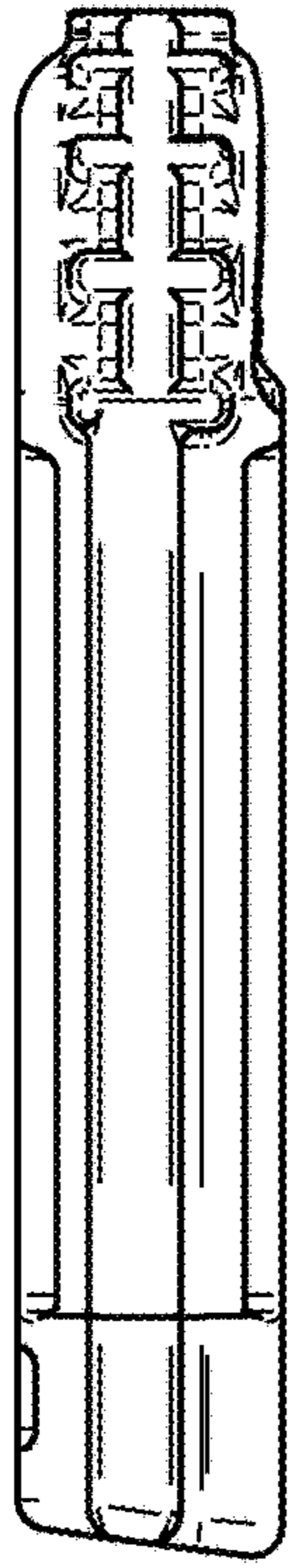


FIG. 5

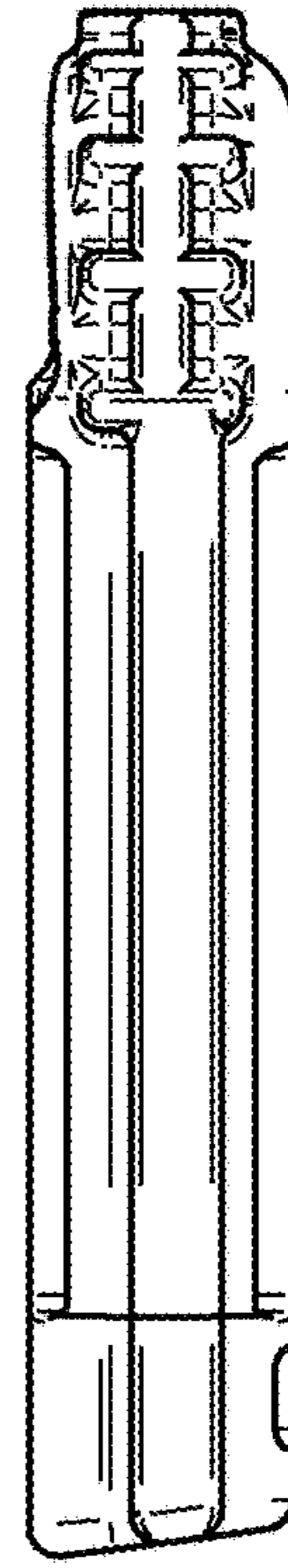


FIG. 6

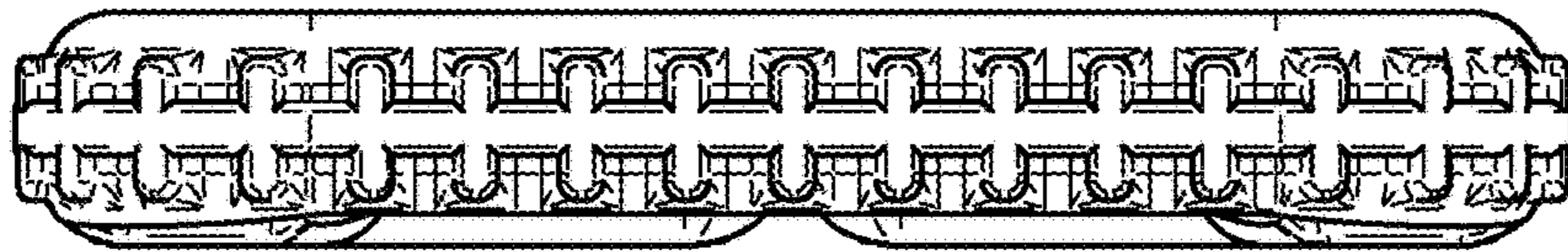


FIG. 7

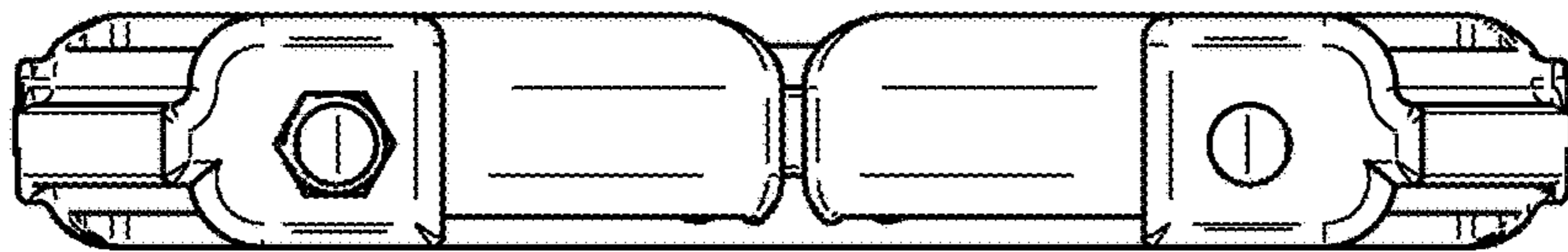


FIG. 8