



US00D853818S

(12) **United States Design Patent** (10) **Patent No.:** **US D853,818 S**
Bergman et al. (45) **Date of Patent:** **** Jul. 16, 2019**

(54) **PAINTING TOOL**

59/08; B63B 2059/082; B26B 23/00;
B08B 7/02; B08B 3/026; B08B 1/00

(71) Applicant: **Bercom International, LLC**,
Chanhassen, MN (US)

See application file for complete search history.

(72) Inventors: **Mark W. Bergman**, Minnetonka, MN
(US); **Jeffrey T. Given**, St. Paul, MN
(US); **Matthew V. Leyden**, St. Paul,
MN (US); **Jeffrey B. Waffensmith**,
North Oaks, MN (US)

(56) **References Cited**

U.S. PATENT DOCUMENTS

3,425,012	A	1/1969	Gottinger	
3,536,285	A	10/1970	Vaughn	
3,729,158	A	4/1973	Nagy	
4,101,046	A	7/1978	Puntillo	
5,033,704	A	7/1991	Kerr	
5,083,733	A	1/1992	Marino	
D335,448	S *	5/1993	Laferla	D9/434
D427,510	S *	7/2000	Gary	D26/138
D438,453	S *	3/2001	Nelson	D8/395
D493,707	S *	8/2004	Rasmussen	D8/394
D507,481	S *	7/2005	Blake	D8/356
D508,200	S *	8/2005	Cagle	D9/434
6,929,225	B1	8/2005	Kent	

(Continued)

(73) Assignee: **Bercom International, LLC**,
Chanhassen, MN (US)

(**) Term: **15 Years**

Primary Examiner — Jennifer Rivard
Assistant Examiner — Catherine S Posthauer
(74) *Attorney, Agent, or Firm* — James L. Young;
Westman, Champlin & Koehler, P.A.

(21) Appl. No.: **29/582,788**

(22) Filed: **Oct. 31, 2016**

(51) **LOC (11) Cl.** **08-05**

(52) **U.S. Cl.**
USPC **D8/105**

(58) **Field of Classification Search**
USPC D3/207, 208, 210, 318; D7/318,
D7/354–361, 393–397, 401.2, 533–537,
D7/622, 623; D8/12, 14, 16–19, 34, 51,
D8/52, 56, 75, 76, 77, 78, 79, 80, 81, 82,
D8/83, 94, 98, 99, 101, 102, 103, 104,
D8/105, 107, 300, 302, 303, 305, 306,
D8/307, 308, 309, 310, 315, 318, 321,
D8/349, 354, 355, 356, 358, 359, 382,
D8/391, 392.1, 393, 394, 396.2, 397, 398,
D8/402, 503, 505, 507, 509, 510, 511,
D8/523, 524, 525, 526, 527, 528, 529,
D8/530, 531, 533, 538, 541, 542, 549,
D8/500, 590, 605, 608, 629, 672, 703,
D8/900, 46, 47, 35, 499; D15/135;
D32/46–49; D9/434
CPC B65B 69/0008; B65B 69/0033; B65B
69/005; Y10T 279/3406; B25F 3/00;
B25F 1/02; B25F 1/04; B25F 1/00; B25G
1/085; A45C 11/324; B63B 59/06; B63B

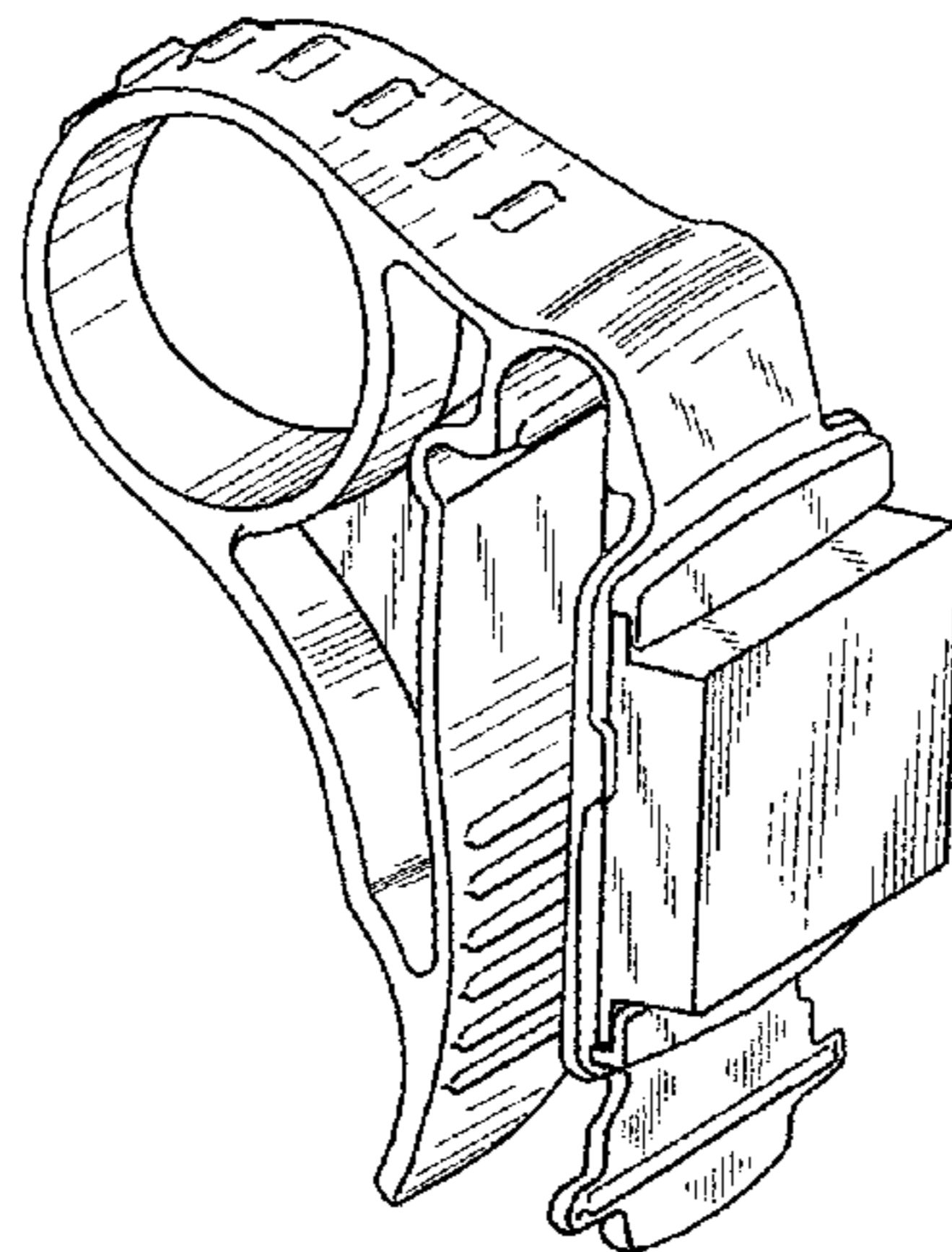
(57) **CLAIM**

The ornamental design for a painting tool, as shown and described.

DESCRIPTION

FIG. 1 is an isometric view of a painting tool;
FIG. 2 is a front elevational view of the tool of FIG. 1;
FIG. 3 is a rear elevational view of the tool of FIG. 1;
FIG. 4 is a side view of the tool of FIG. 1 (as taken from the right of FIG. 2);
FIG. 5 is a side view of the tool of FIG. 1 (as taken from the left of FIG. 2);
FIG. 6 is a top view of the tool of FIG. 1; and,
FIG. 7 is a bottom view of the tool of FIG. 1.

1 Claim, 2 Drawing Sheets



(56)

References Cited

U.S. PATENT DOCUMENTS

D510,018 S *	9/2005	Tognolini	D8/395	D670,998 S *	11/2012	Lavoie	D8/395
D517,884 S *	3/2006	Ellingwood	D24/133	D671,826 S *	12/2012	Adams, IV	D8/395
D522,852 S *	6/2006	Nawrocki	D8/395	D690,068 S *	9/2013	Gringer	
D537,330 S *	2/2007	Cox	D8/395	D693,979 S *	11/2013	Gringer	
D552,463 S *	10/2007	French	D8/395	D702,535 S *	4/2014	Rothbaum	D8/356
D557,089 S *	12/2007	Menard	D8/34	D709,354 S *	7/2014	Komeno	D8/356
D569,718 S *	5/2008	Nakamura	D8/394	D715,631 S *	10/2014	Szymanski	D8/395
D571,179 S *	6/2008	Ahlgren		D741,701 S *	10/2015	McNeil	D8/356
D574,702 S *	8/2008	Stephens	D8/395	D751,377 S *	3/2016	Duffy	D8/395
D586,060 S *	2/2009	Kahn		D757,533 S *	5/2016	Ormsbee	D8/395
D600,542 S *	9/2009	Zemel	D8/395	D759,476 S *	6/2016	Iwahara	D8/395
D600,871 S *	9/2009	Keylikhes		D781,694 S *	3/2017	Iwata	D8/14
D612,120 S *	3/2010	Panfili		D782,893 S *	4/2017	Mimlitch	D8/105
D625,580 S *	10/2010	Giordano	D8/349	D798,139 S *	9/2017	Giannatti	D8/394
D628,468 S *	12/2010	Camp, Jr.	D8/395	D799,314 S *	10/2017	Adams, IV	D8/395
D630,493 S *	1/2011	Chan	D8/356	D807,162 S *	1/2018	Wolfe, Jr.	D8/395
D638,219 S *	5/2011	Wu	D3/318	D808,787 S *	1/2018	Kinsky	D8/395
D644,915 S *	9/2011	Chen	D8/354	D809,374 S *	2/2018	Harrington	D8/394
D667,724 S *	9/2012	Mangano		2008/0283701 A1	11/2008	Kahn	
D669,773 S *	10/2012	Colasse	D8/395	2009/0314515 A1 *	12/2009	Bevirt	H01B 7/40 174/110 R
				2013/0148366 A1 *	6/2013	Adams, IV	F21V 21/088 362/396

* cited by examiner

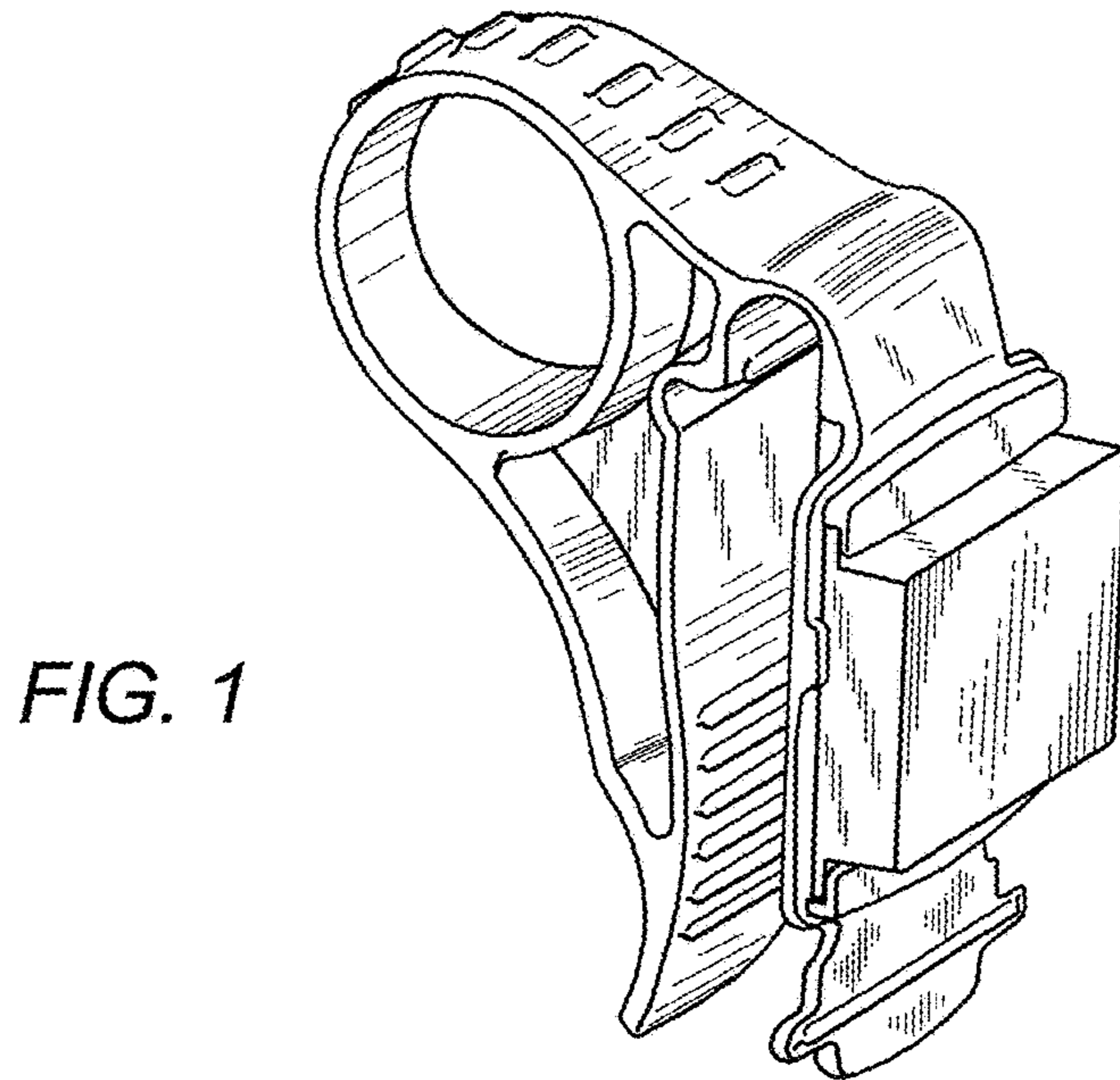


FIG. 1

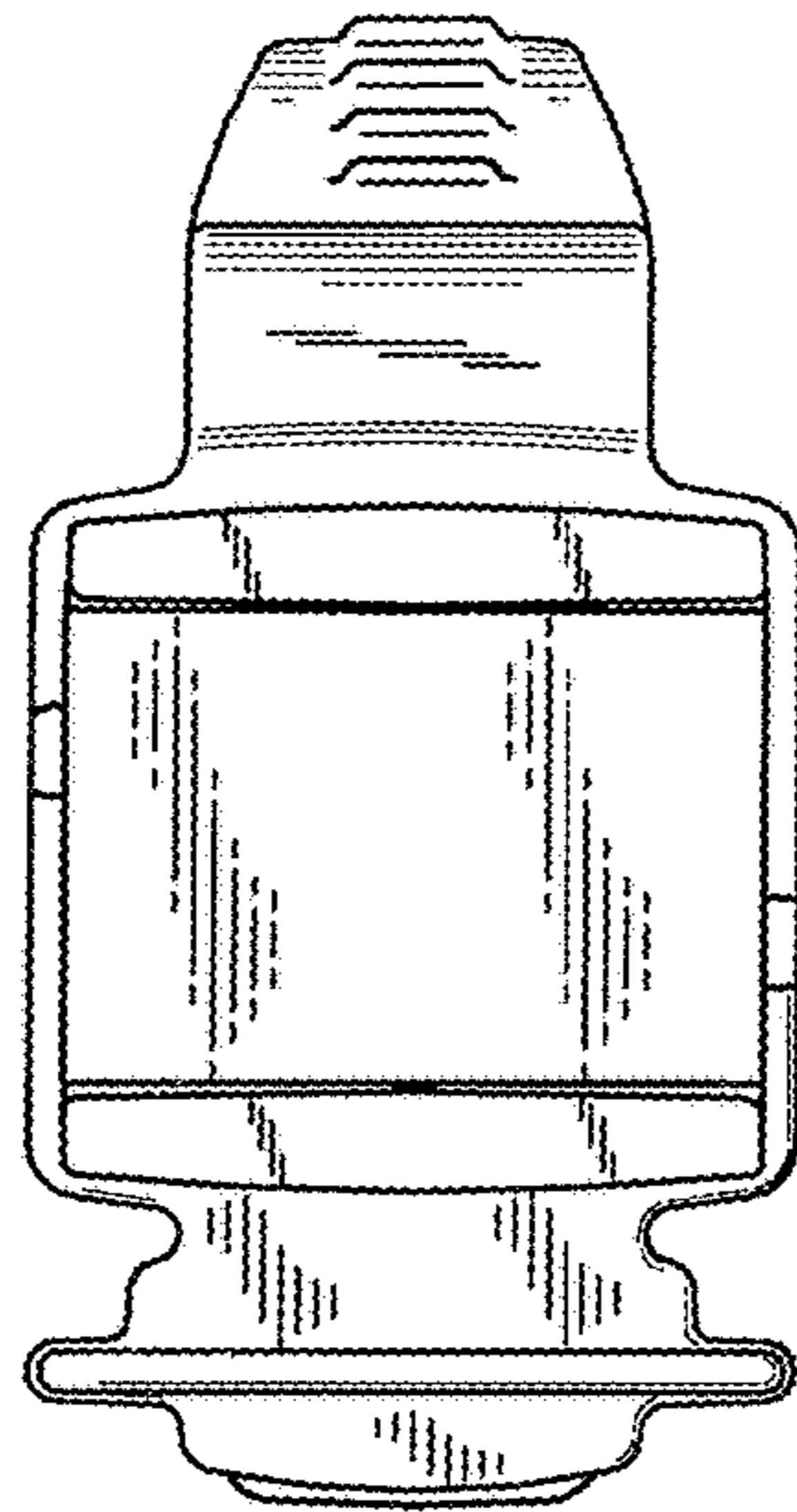


FIG. 2

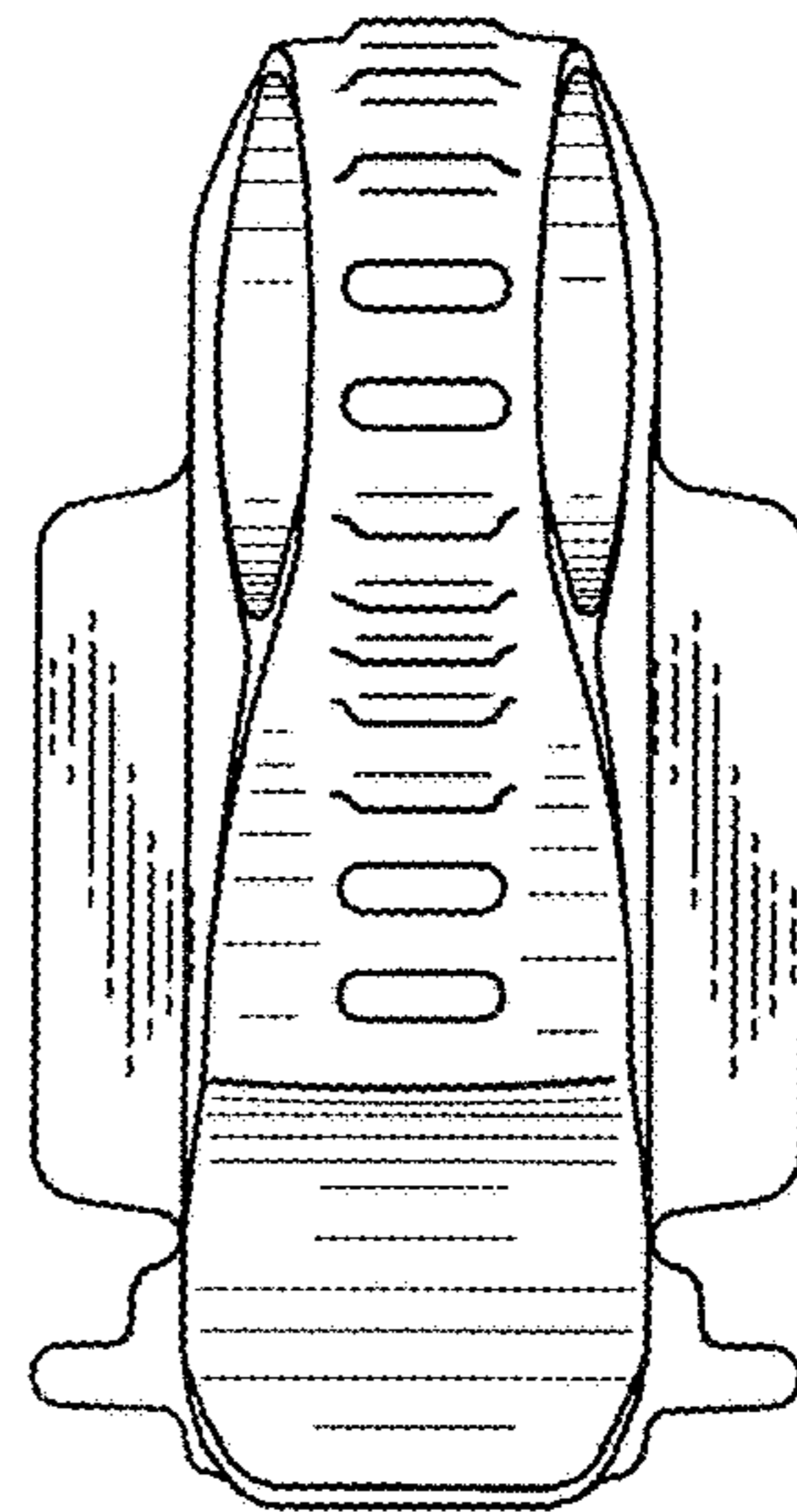


FIG. 3

FIG. 6

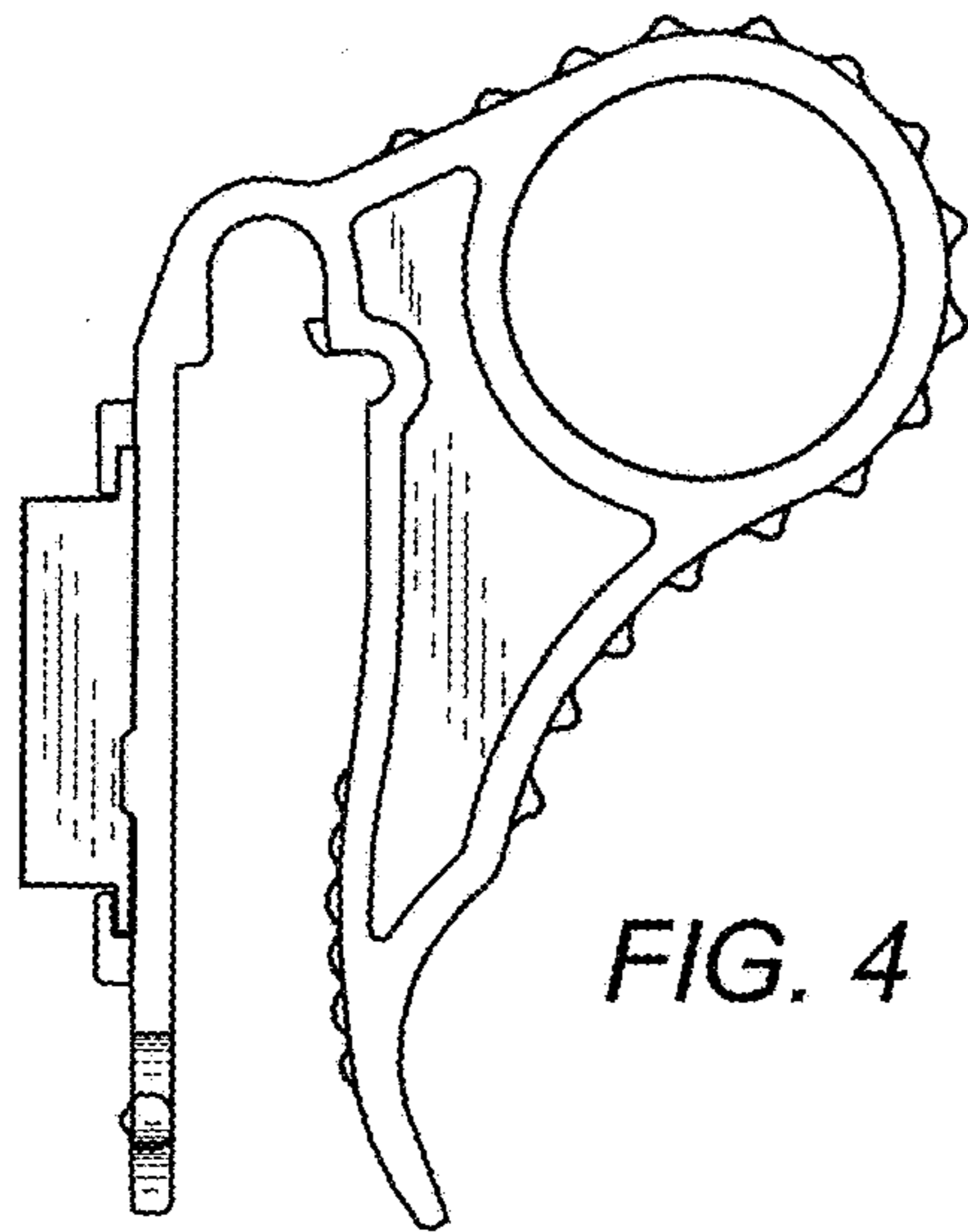
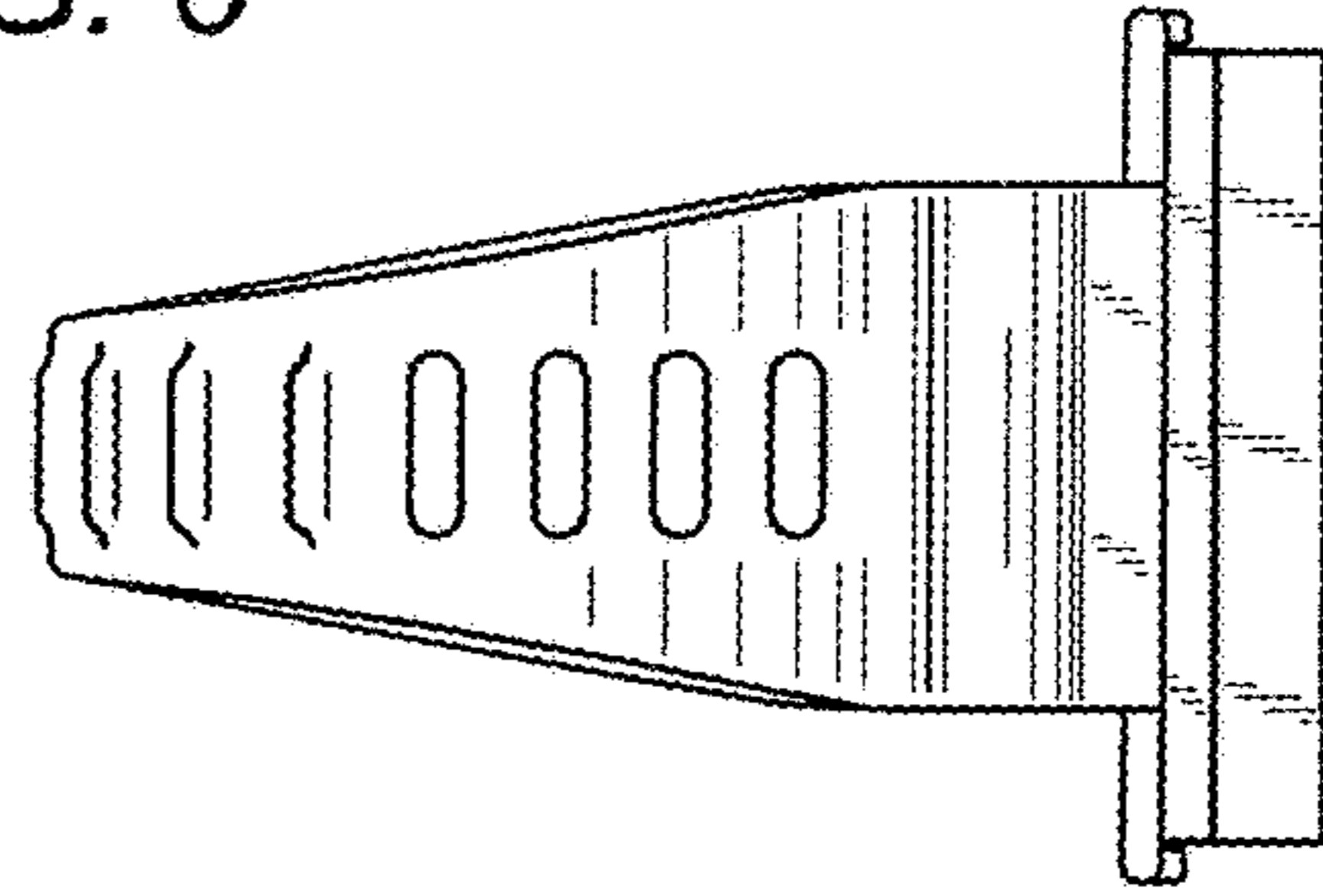


FIG. 4

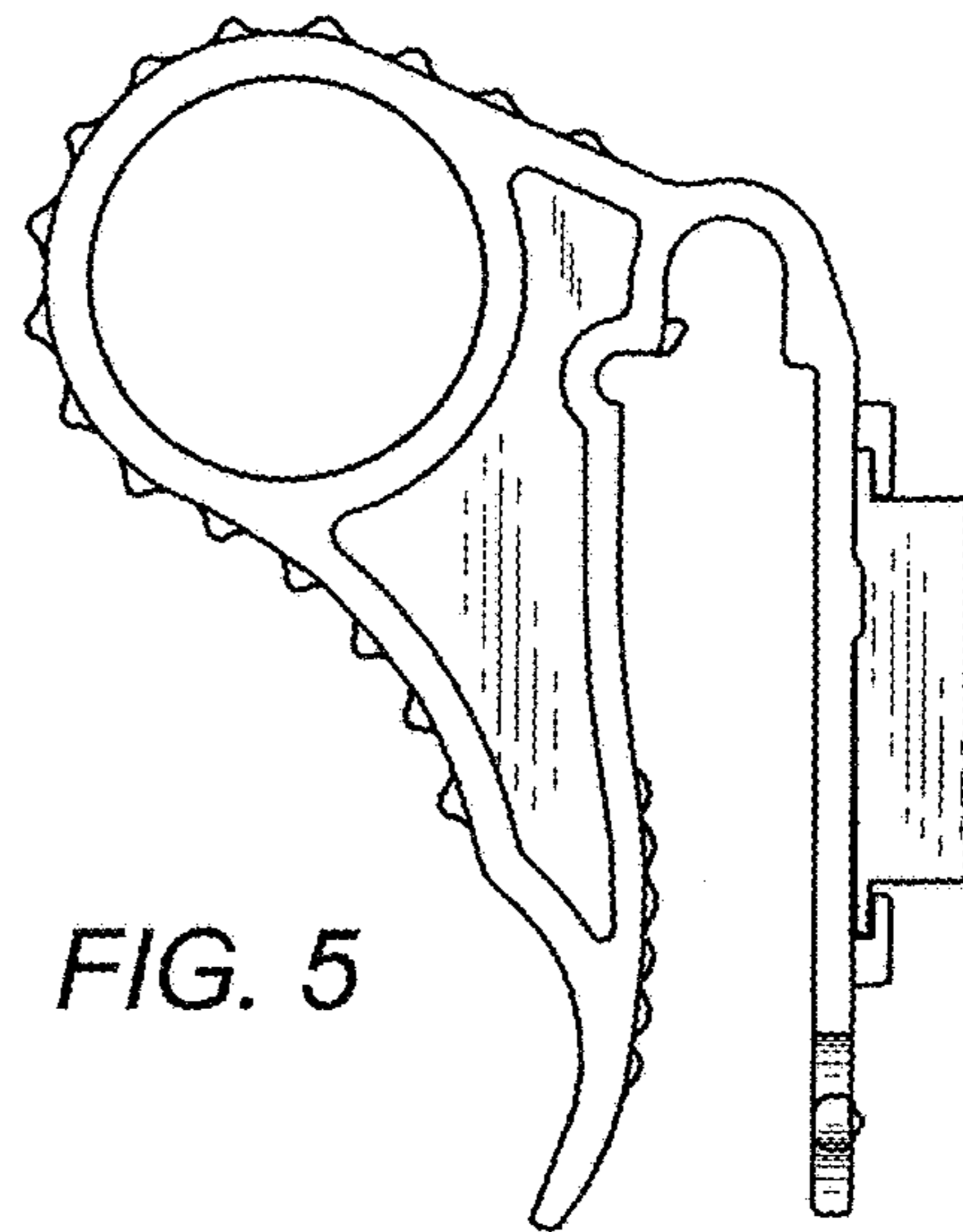


FIG. 5

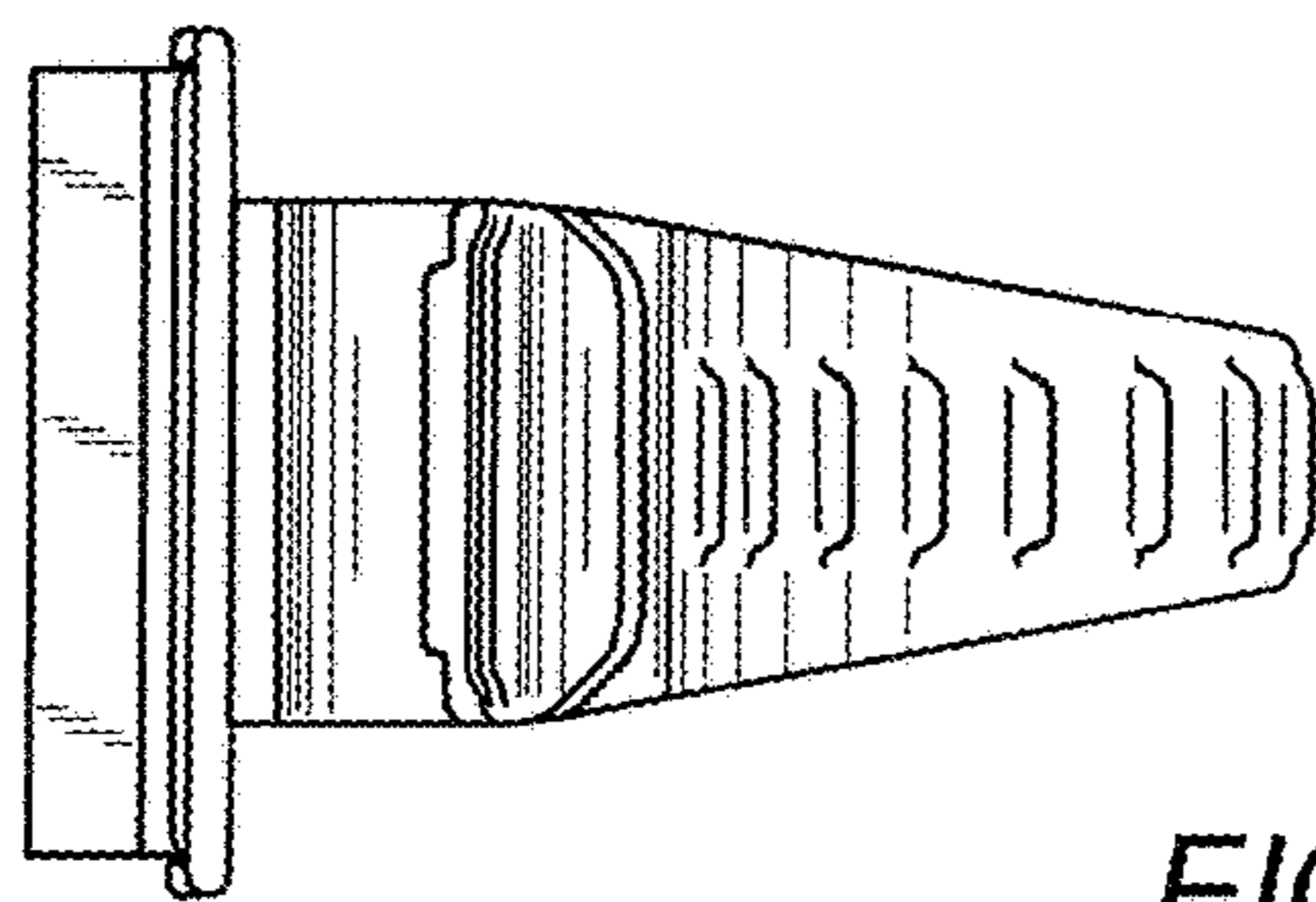


FIG. 7