



US00D853817S

(12) **United States Design Patent** (10) **Patent No.:** **US D853,817 S**
Ji (45) **Date of Patent:** **** Jul. 16, 2019**

(54) **HOLE TEMPLATE FOR MULTI-FUNCTION ELECTRICAL TOOL**

(71) Applicant: **Hailian Saw Blade Technology Co., Ltd., Zhejiang (CN)**

(72) Inventor: **Shenghua Ji, Zhejiang (CN)**

(**) Term: **15 Years**

(21) Appl. No.: **29/612,054**

(22) Filed: **Jul. 27, 2017**

(51) **LOC (11) Cl.** **08-05**

(52) **U.S. Cl.**
USPC **D8/70; D8/20**

(58) **Field of Classification Search**
USPC D8/14, 16, 19, 20, 70, 98; D15/17, 129, D15/134, 138, 139
CPC B23D 49/14; B23D 61/003; B23D 61/02; B23D 61/12; B23D 61/121; B23D 61/123; B23D 61/126; B23D 61/128; B25F 3/00; B25F 1/006; B25F 1/02; D26B 5/001

See application file for complete search history.

(56) **References Cited**

U.S. PATENT DOCUMENTS

D651,499 S *	1/2012	Tong	D8/70
D693,193 S *	11/2013	Bozic	D8/20
D694,077 S *	11/2013	Bozic	D8/20
D694,597 S *	12/2013	Davidian	D8/20
D694,598 S *	12/2013	Davidian	D8/20

D697,384 S *	1/2014	Wackwitz	D15/140
D741,135 S *	10/2015	Yang	D15/140
D741,136 S *	10/2015	Yang	D15/140
D750,461 S *	3/2016	McRoberts	D8/70
D809,356 S *	2/2018	Butscher	D8/20
D814,900 S *	4/2018	Kaye, Jr.	D8/70
D817,127 S *	5/2018	Gopi	D8/20
D817,128 S *	5/2018	Gopi	D8/20
2011/0277611 A1 *	11/2011	Chen	B23D 61/006 83/699.51
2014/0190328 A1 *	7/2014	Karlen	B23D 61/006 83/853
2014/0325855 A1 *	11/2014	Bozic	B23D 61/006 30/392

* cited by examiner

Primary Examiner — Darlington Ly

(74) *Attorney, Agent, or Firm* — Prakash Nama; Global IP Services, PLLC

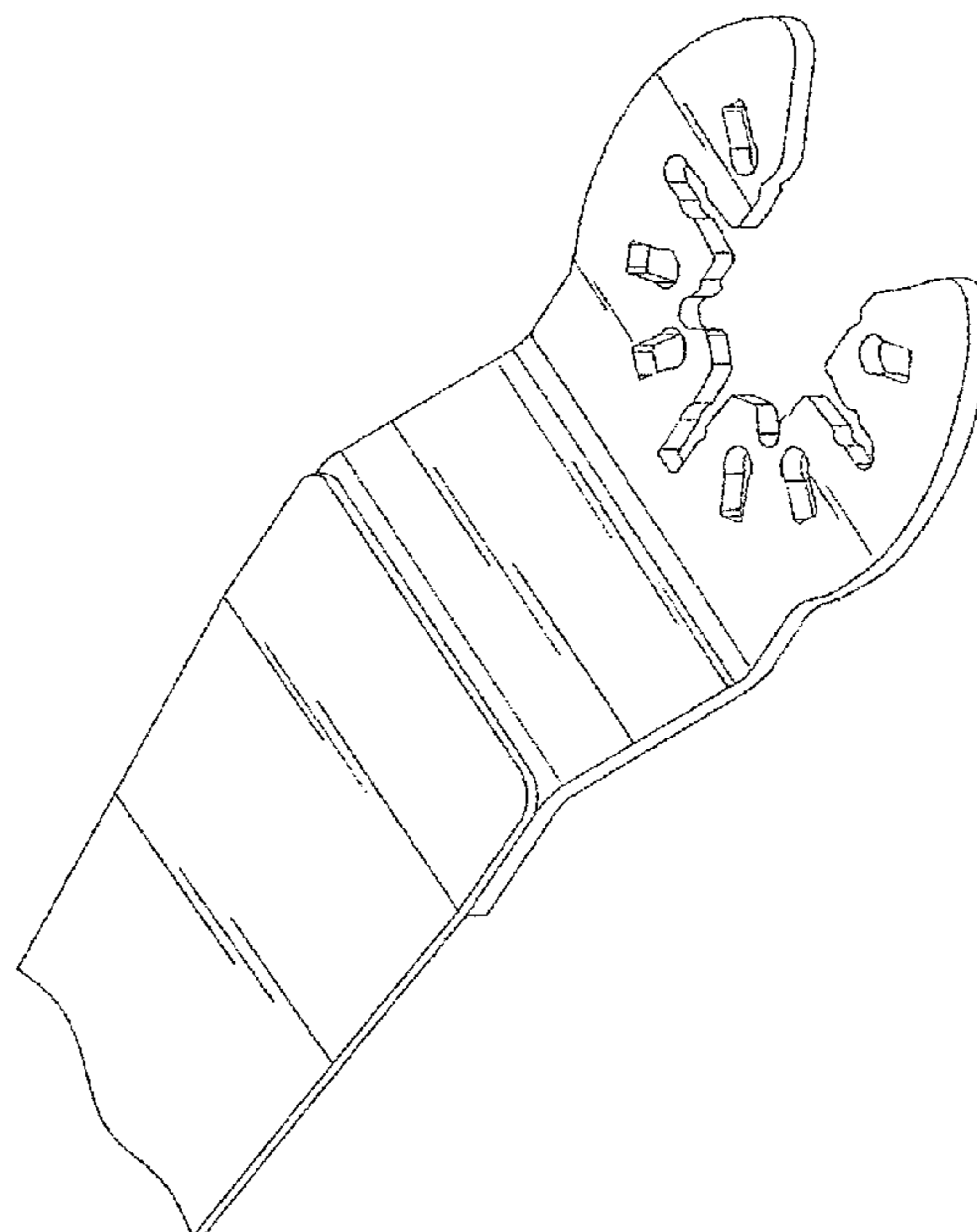
(57) **CLAIM**

The ornamental design for a hole template for multi-function electrical tool, as shown and described.

DESCRIPTION

FIG. 1 is a front elevation view of a hole template for multi-function electrical tool showing my new design; FIG. 2 is a rear elevation view thereof; FIG. 3 is a right side elevation view thereof; FIG. 4 is a left side elevation view thereof; FIG. 5 is a bottom plan view thereof; FIG. 6 is a top plan view thereof; FIG. 7 is a rear perspective view thereof; and, FIG. 8 is a front perspective view thereof.

1 Claim, 8 Drawing Sheets



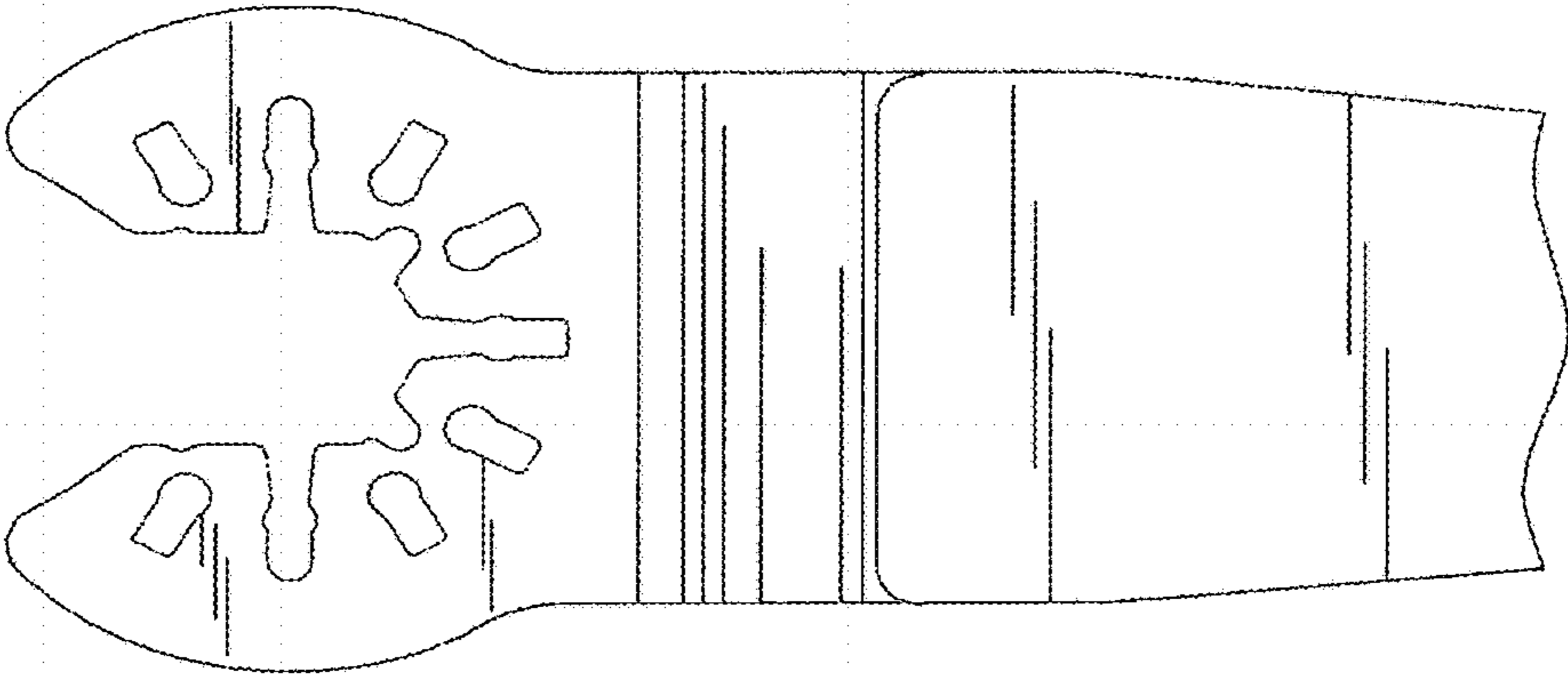


FIG.1

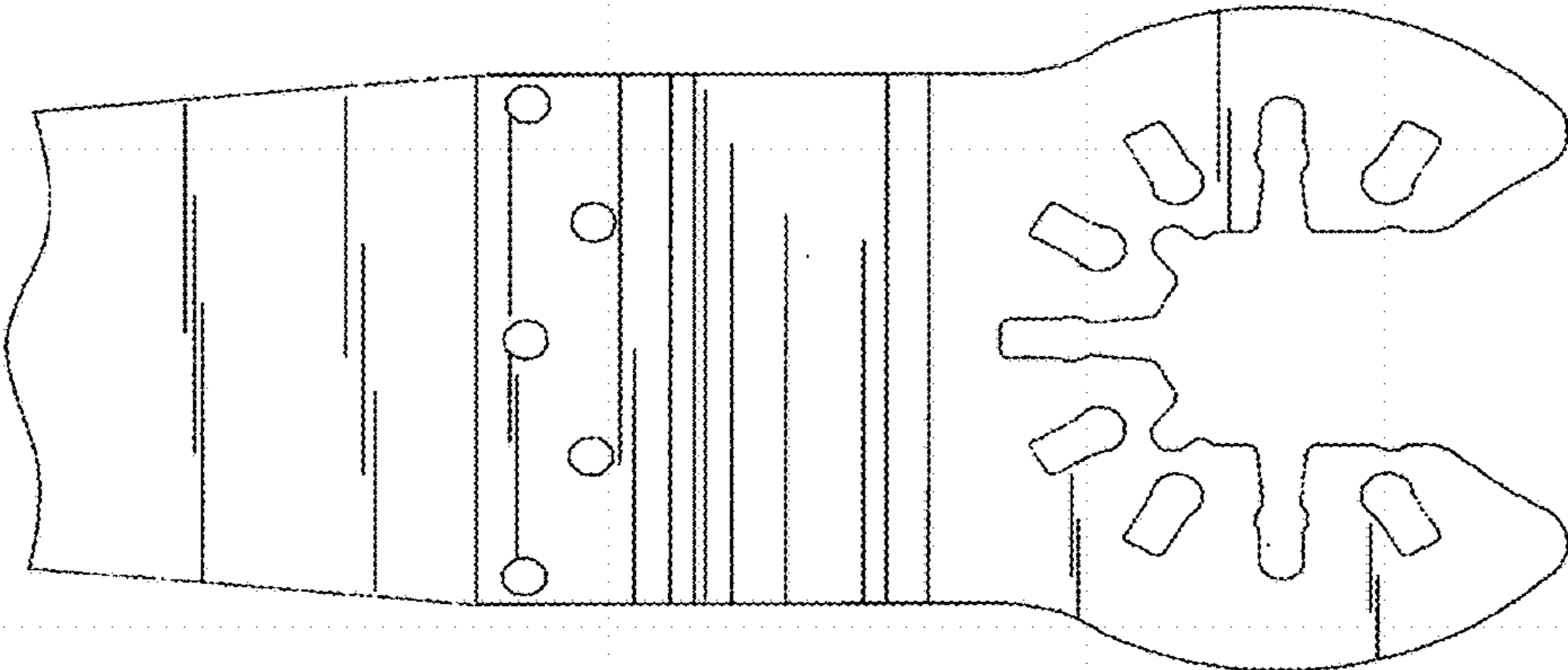


FIG.2

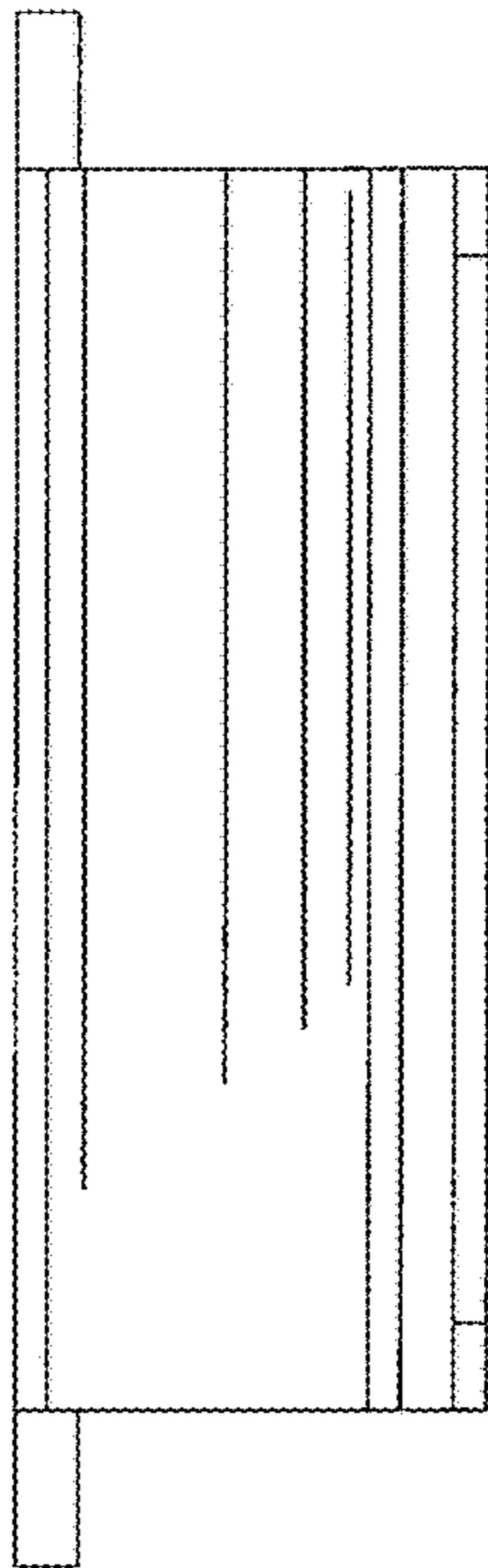


FIG. 3

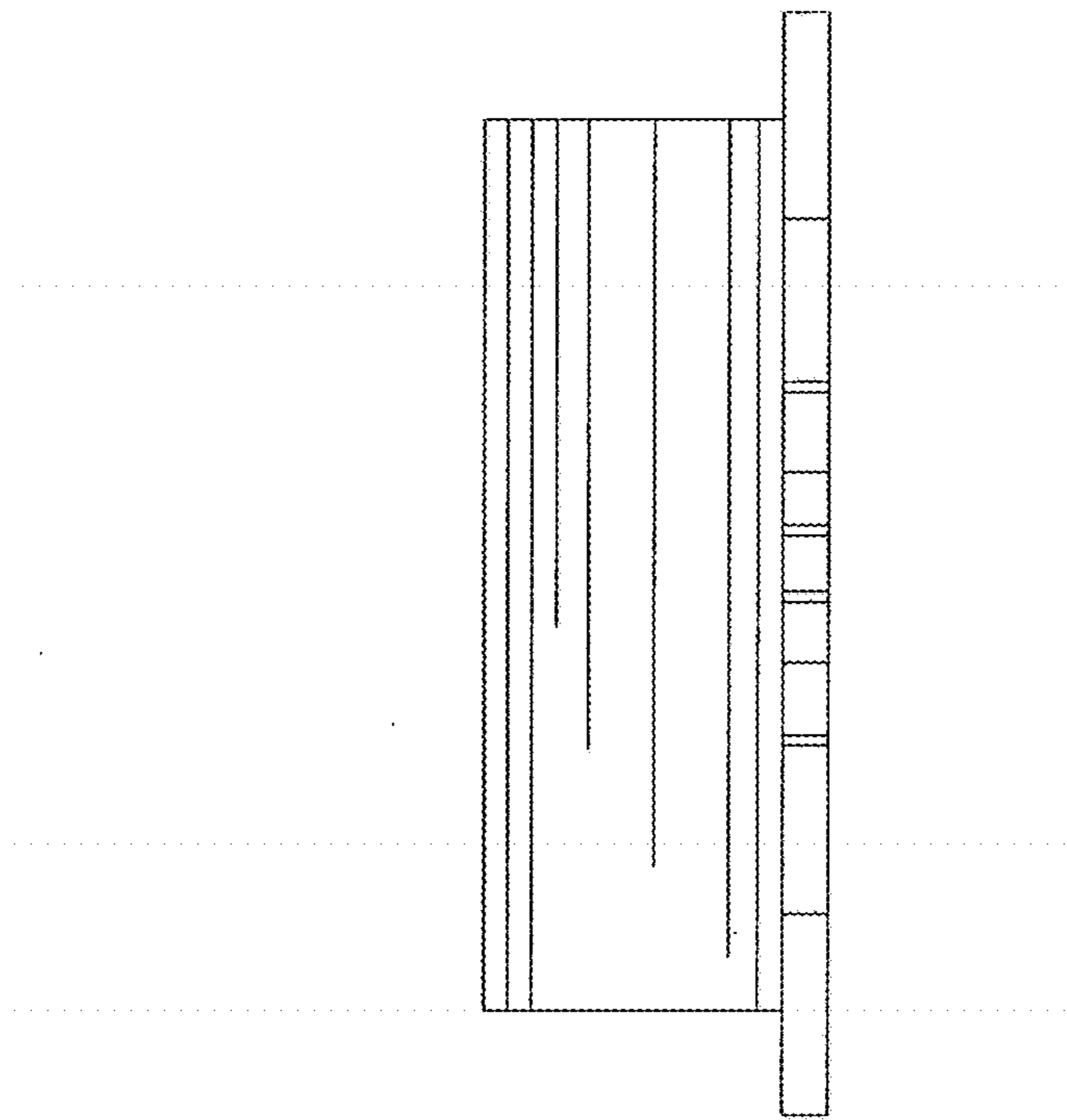
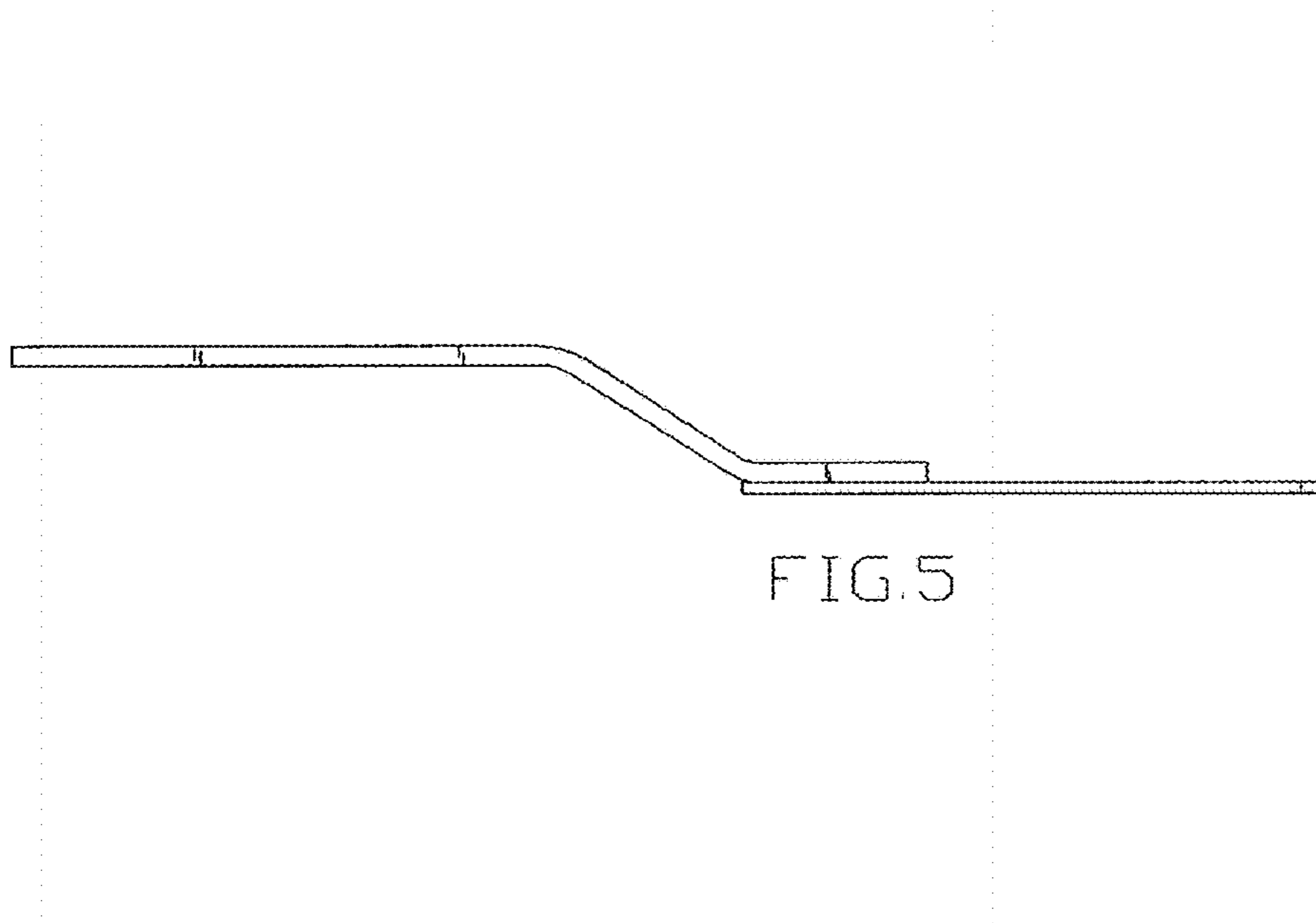
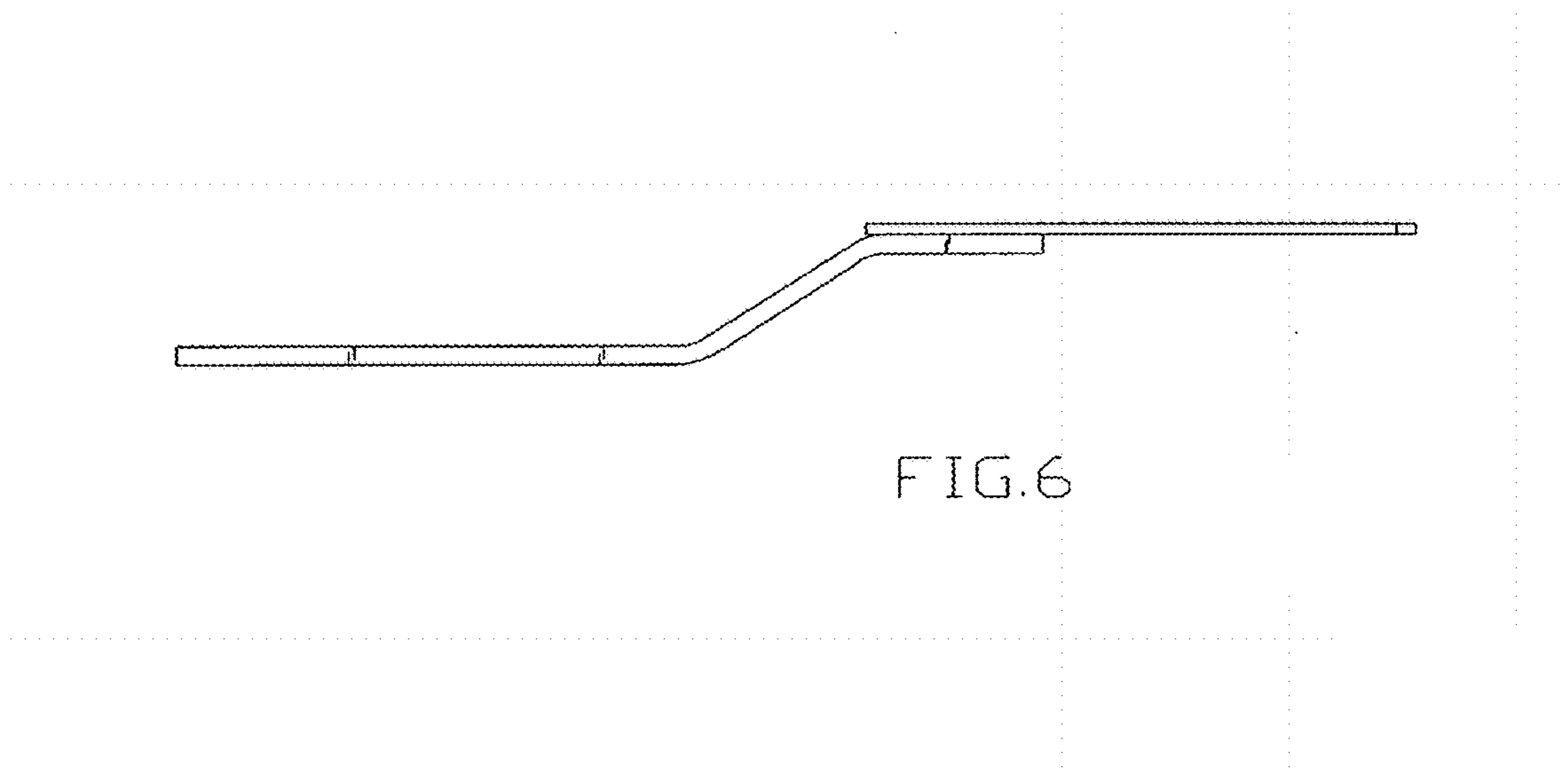


FIG. 4





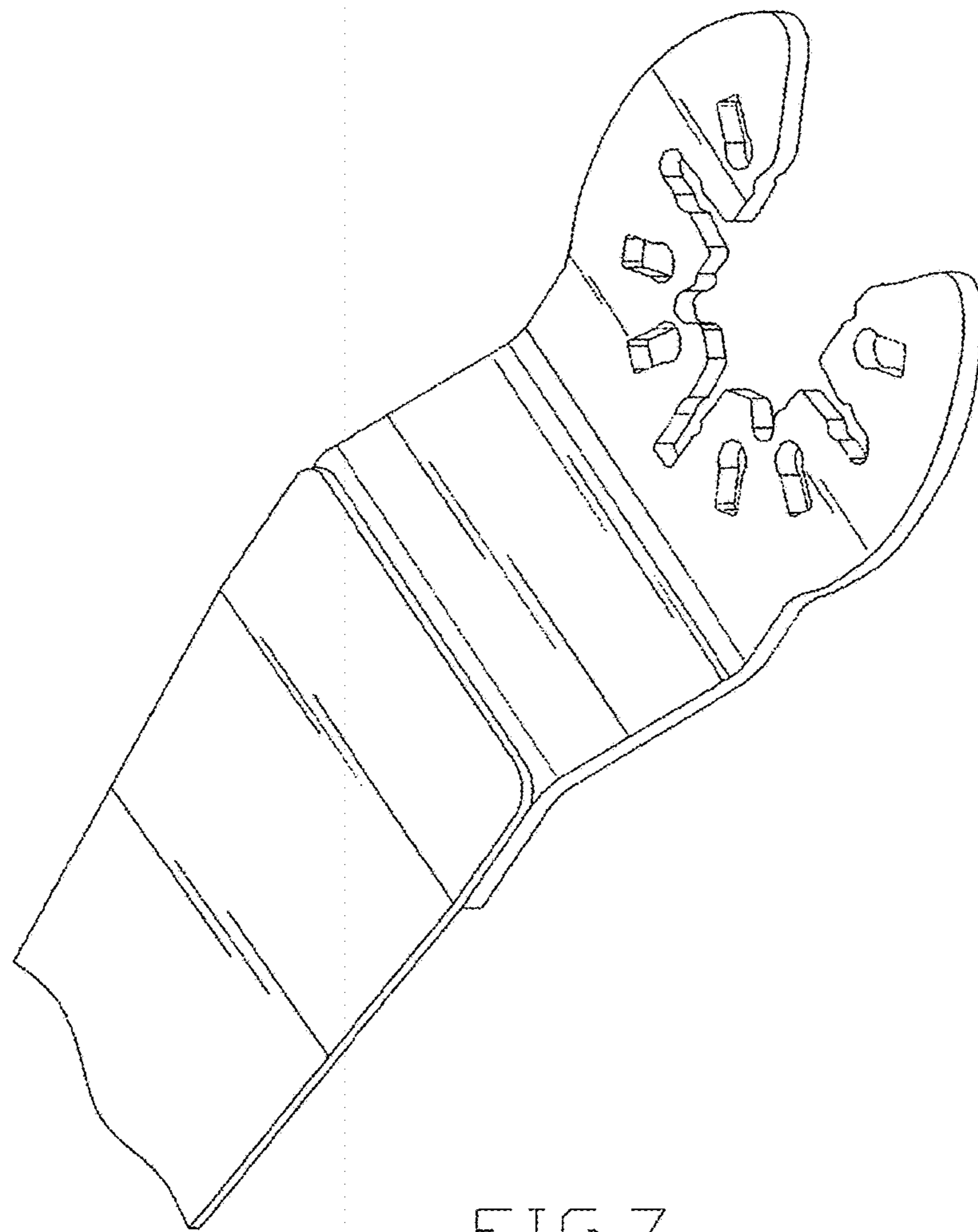


FIG. 7

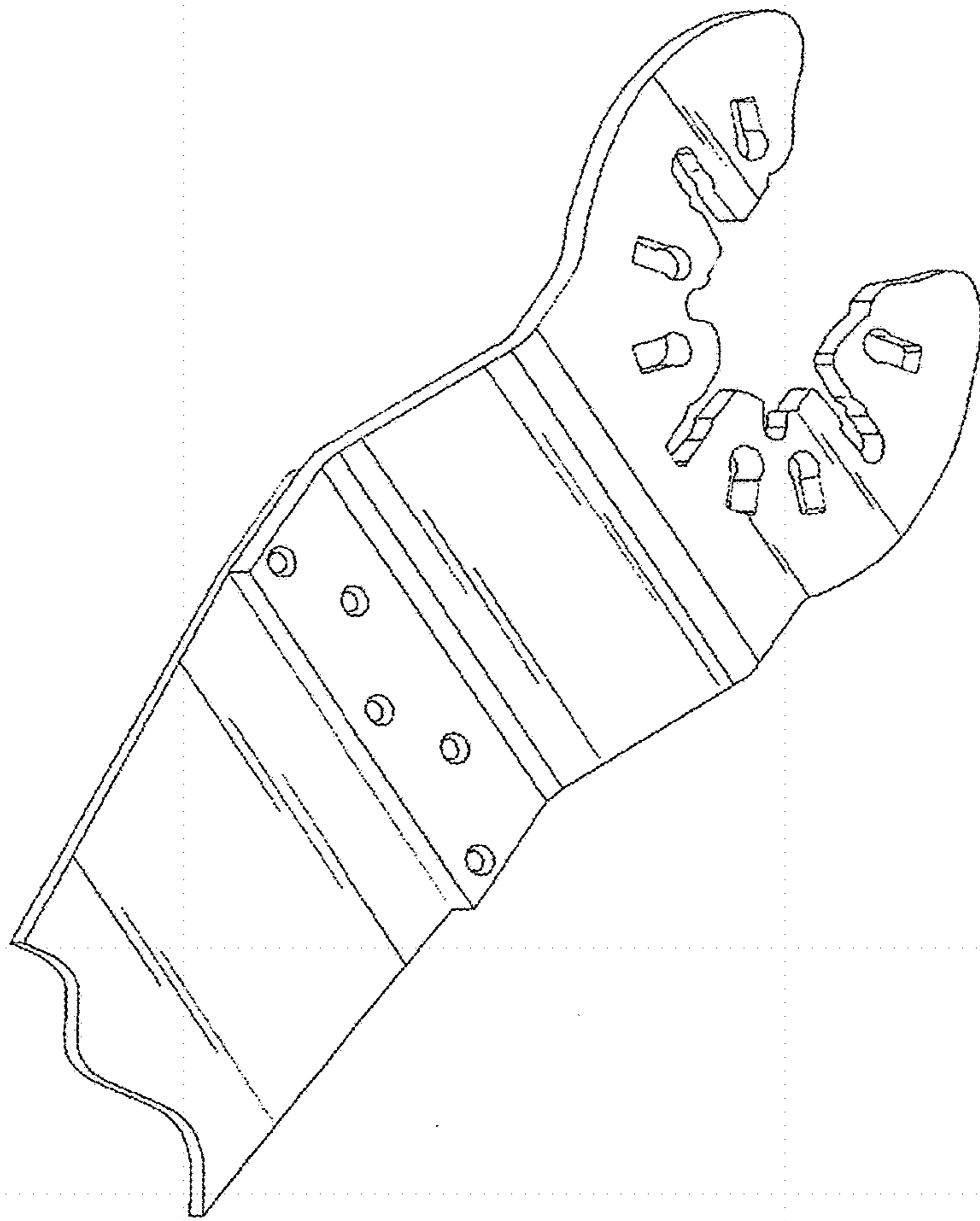


FIG. 8