



US00D853815S

(12) **United States Design Patent** (10) **Patent No.:** **US D853,815 S**
Yaschur et al. (45) **Date of Patent:** **** Jul. 16, 2019**

- (54) **D-HANDLE IMPACT TOOL**
- (71) Applicant: **Ingersoll-Rand Company**, Davidson, NC (US)
- (72) Inventors: **Jefferey Clifford Yaschur**, Doylestown, PA (US); **Edward Charles Eardley**, Easton, PA (US)
- (73) Assignee: **INGERSOLL-RAND COMPANY**, Davidson, NC (US)
- (**) Term: **15 Years**
- (21) Appl. No.: **29/625,010**
- (22) Filed: **Nov. 6, 2017**
- (51) **LOC (11) Cl.** **08-05**
- (52) **U.S. Cl.**
USPC **D8/69**
- (58) **Field of Classification Search**
USPC D8/14.1, 61-70
CPC B25D 16/00; B25D 17/02; B25D 11/125
See application file for complete search history.

D606,377 S *	12/2009	Ho	D8/69
D615,838 S *	5/2010	Aglassinger	D8/69
D618,530 S *	6/2010	Stirm	D8/69
D618,531 S *	6/2010	Stirm	D8/69
D641,604 S *	7/2011	Stirm	D8/67
D642,443 S *	8/2011	Stirm	D8/67
D687,280 S *	8/2013	Koalick	D8/69
D740,636 S *	10/2015	Koeniger	D8/69
D799,929 S *	10/2017	Aoki	D8/69
D805,364 S *	12/2017	Gu	D8/69
D815,933 S *	4/2018	Koeniger	D8/69
D830,808 S *	10/2018	Tamura	D8/69
D838,157 S *	1/2019	Suzuki	D8/69
2014/0144658 A1 *	5/2014	Schmid	B25D 11/005 173/90
2014/0318821 A1 *	10/2014	Wylter	B25D 11/125 173/104

* cited by examiner

Primary Examiner — Darlington Ly
(74) *Attorney, Agent, or Firm* — Taft, Stettinius & Hollister LLP

(57) **CLAIM**

The ornamental design for a D-handle impact tool, as shown and described.

DESCRIPTION

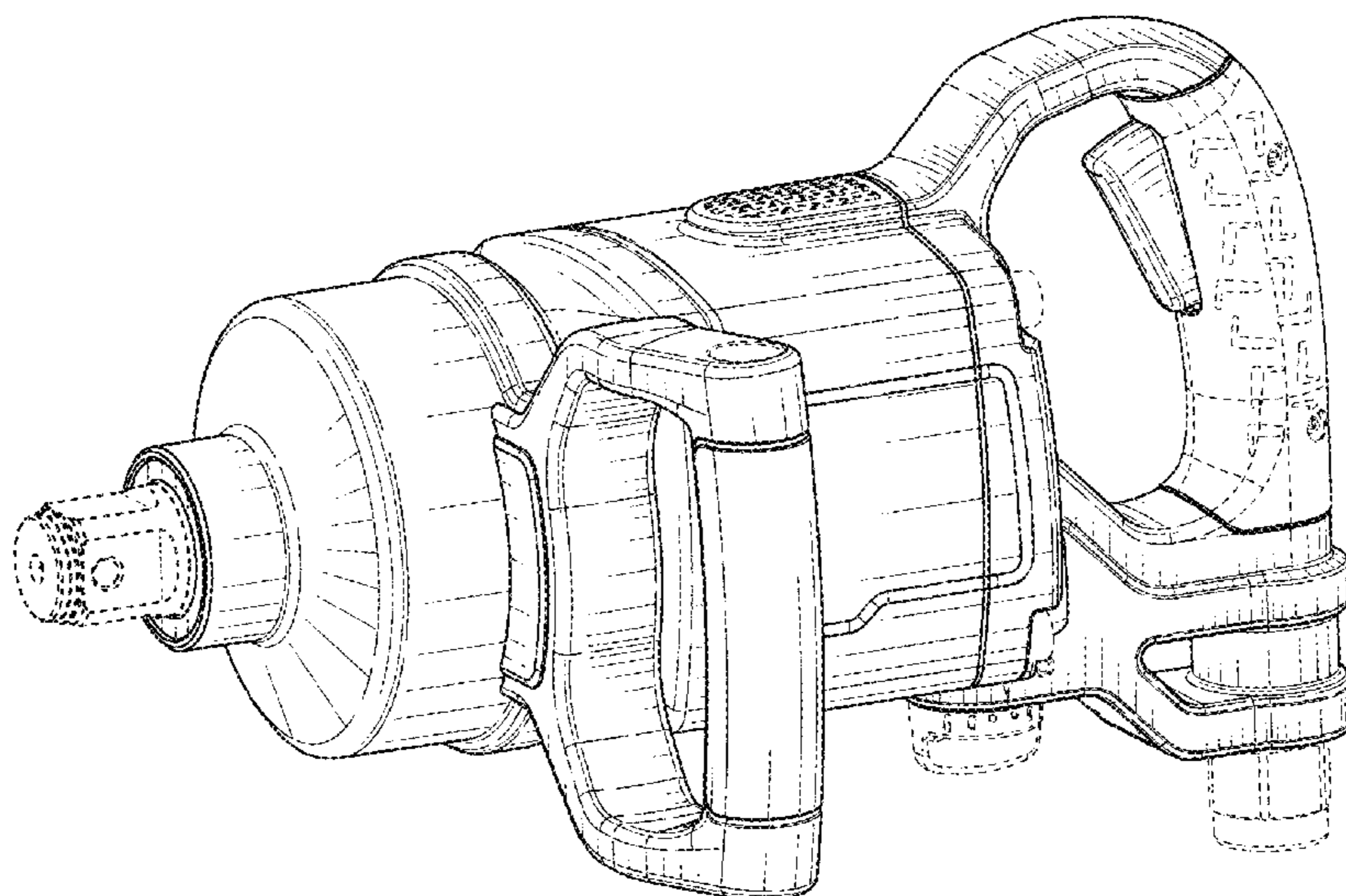
FIG. 1 is a front, top, and right side perspective view of a D-handle impact tool showing our new design;
FIG. 2 is a left side elevation view thereof;
FIG. 3 is a right side elevation view thereof;
FIG. 4 is a bottom plan view thereof;
FIG. 5 is a top plan view thereof;
FIG. 6 is a front elevation view thereof; and,
FIG. 7 is a rear elevation view thereof.
The broken lines shown in the figures are for the purpose of illustrating portions of the impact tool that form no part of the claimed design.

1 Claim, 6 Drawing Sheets

(56) **References Cited**

U.S. PATENT DOCUMENTS

D301,967 S *	7/1989	Sakamoto	D8/67
D341,532 S *	11/1993	Watanabe	D8/69
D343,345 S *	1/1994	Ogawa	D8/69
D447,677 S *	9/2001	Stirm	D8/69
D480,937 S *	10/2003	Vogele	D8/69
D489,240 S	5/2004	Bartfeld et al.		
D526,873 S *	8/2006	Tsuzuki	D8/69
D590,681 S	4/2009	Palermo et al.		
D591,130 S *	4/2009	Palermo	D8/69
D594,304 S *	6/2009	Aglassinger	D8/67
D600,087 S *	9/2009	DiPasquale	D8/69
D600,088 S *	9/2009	DiPasquale	D8/69
D602,322 S *	10/2009	Chu	D8/67



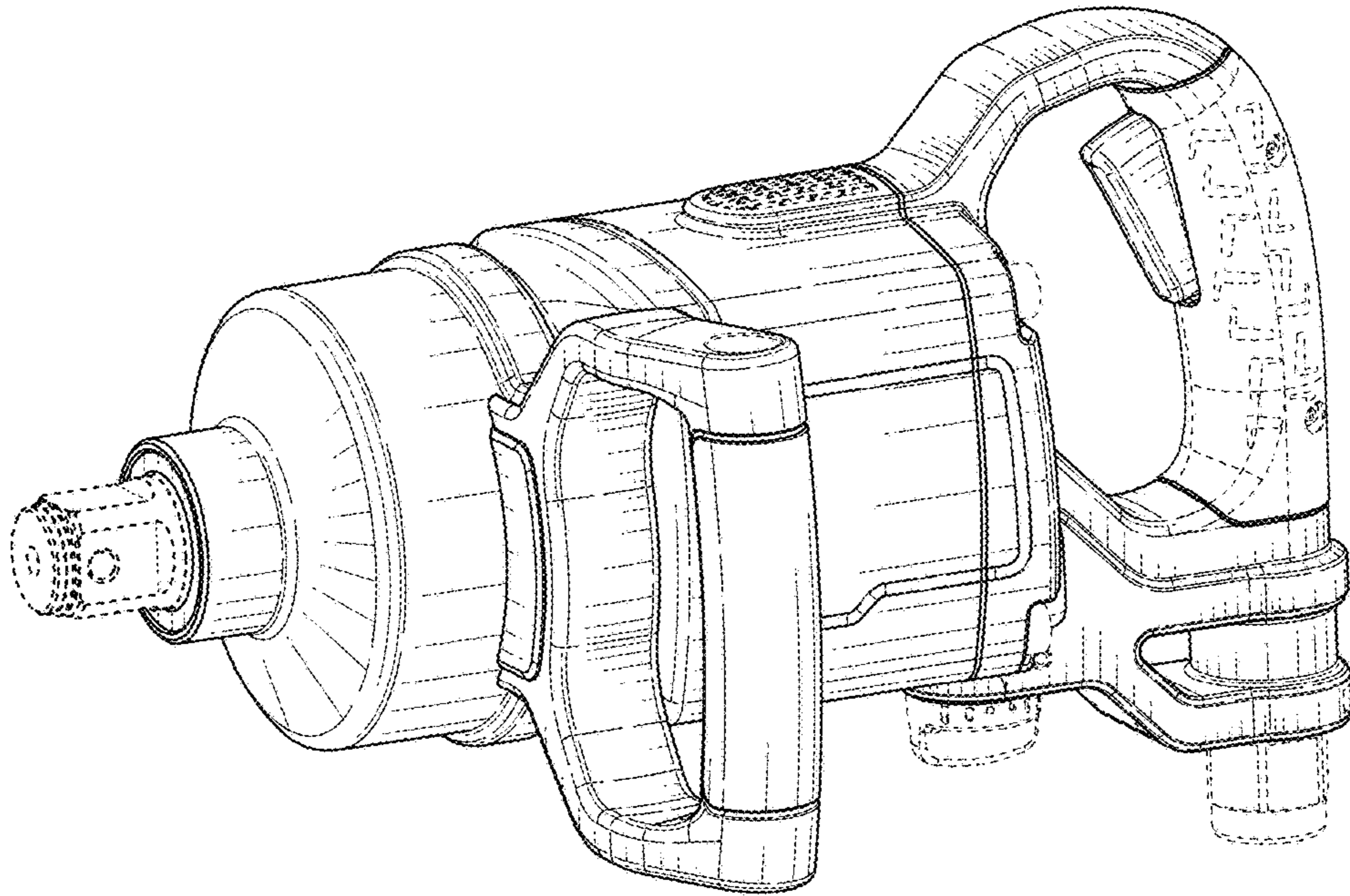


FIG. 1

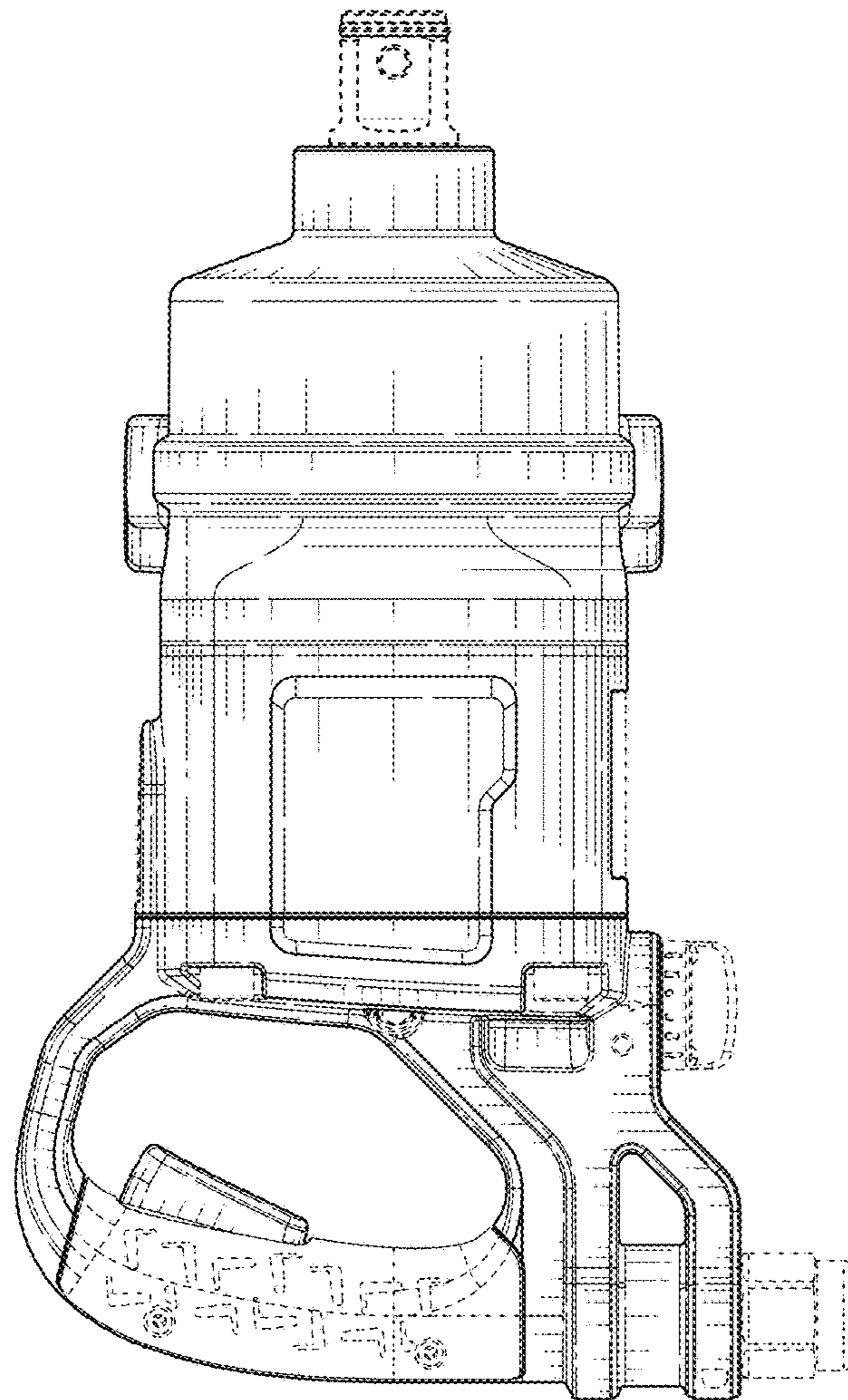


FIG. 2

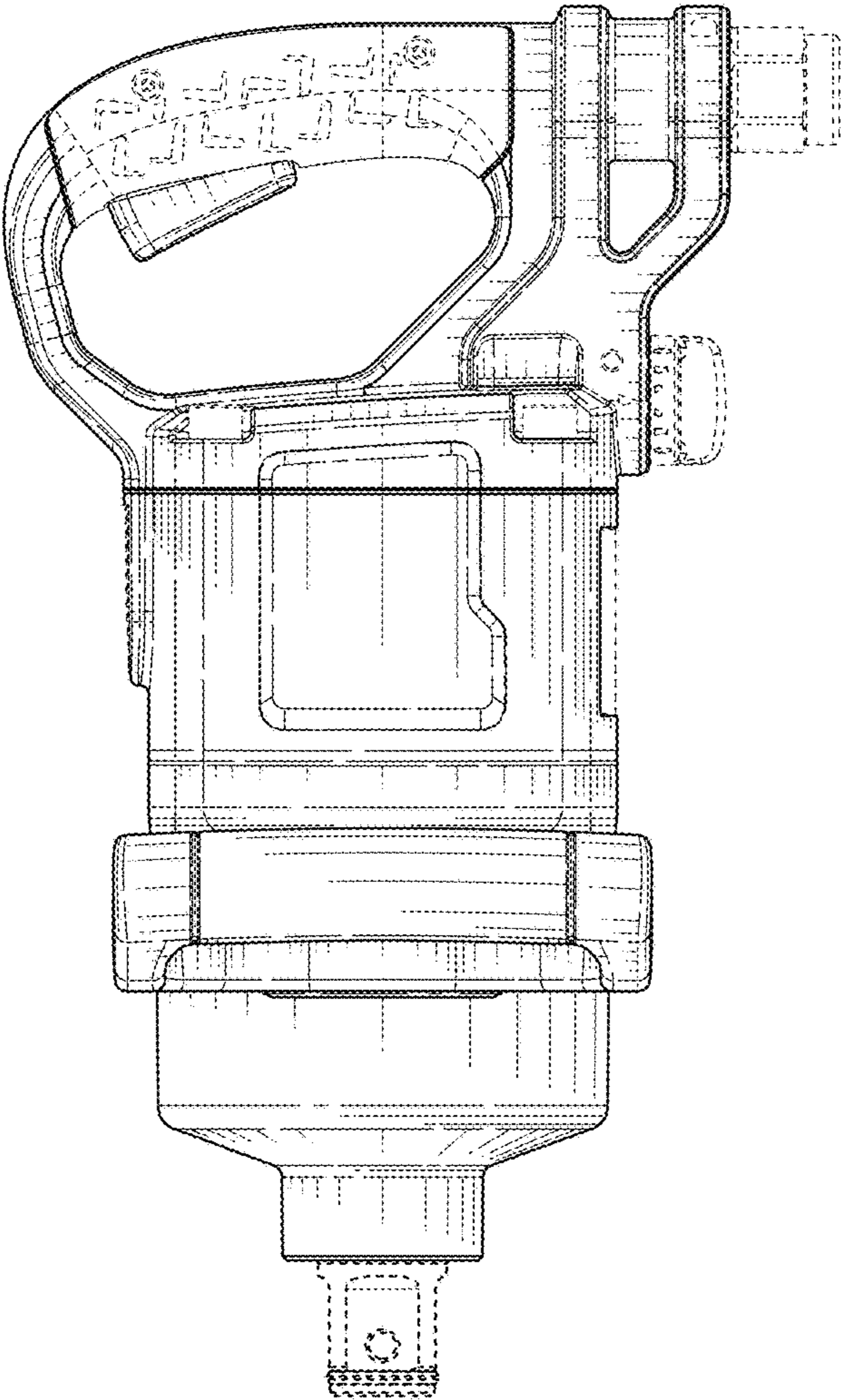


FIG. 3

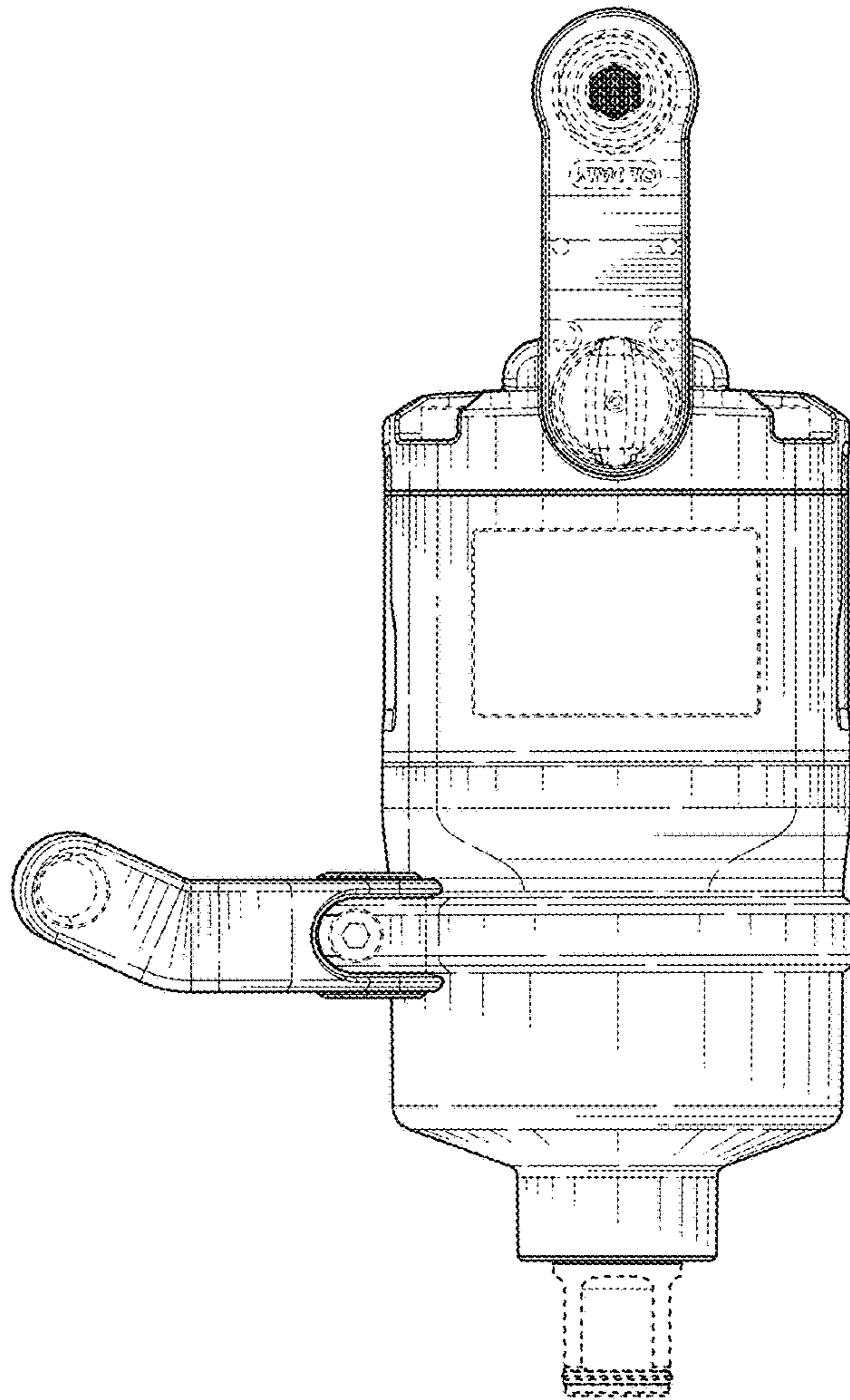


FIG. 4

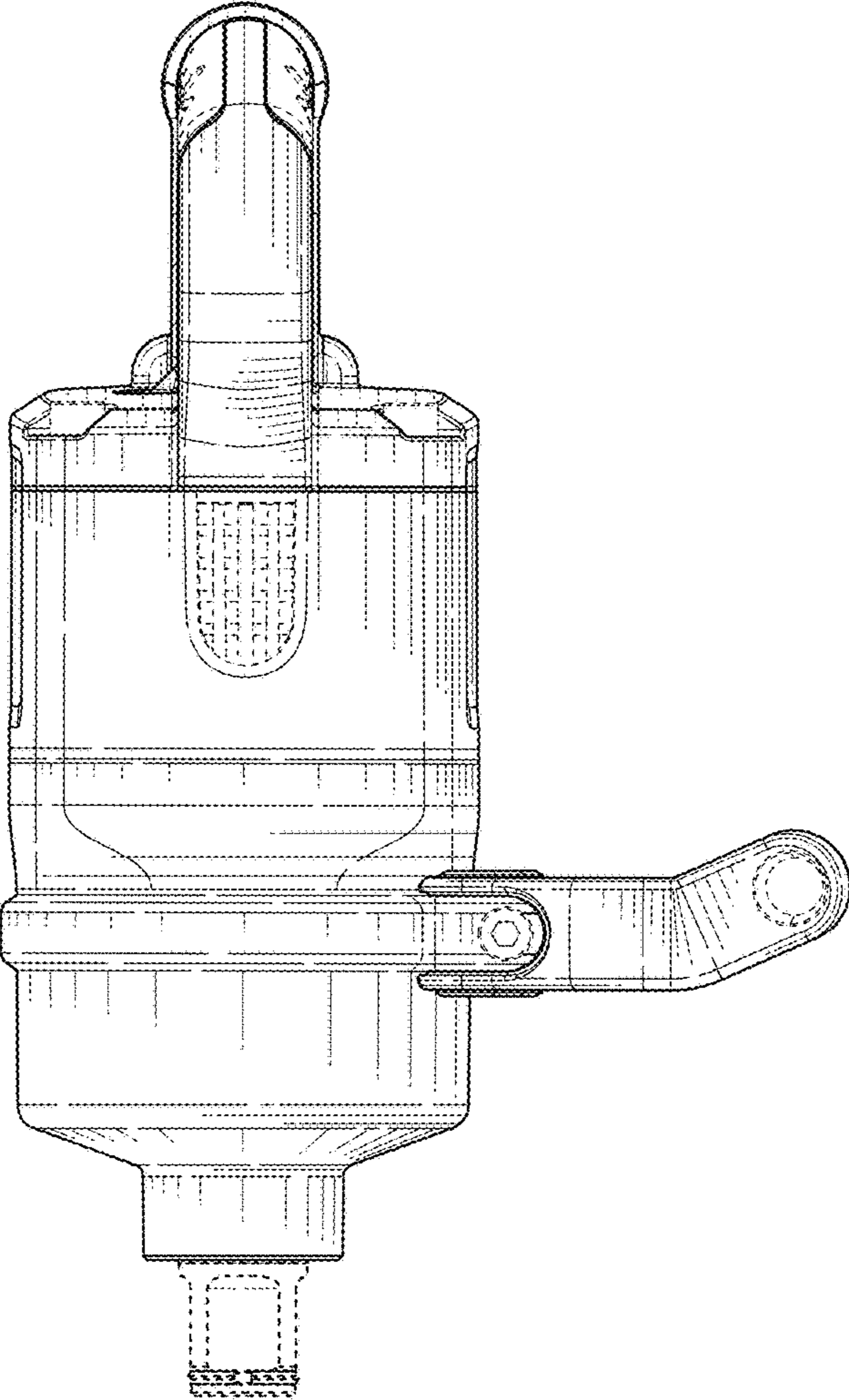


FIG. 5

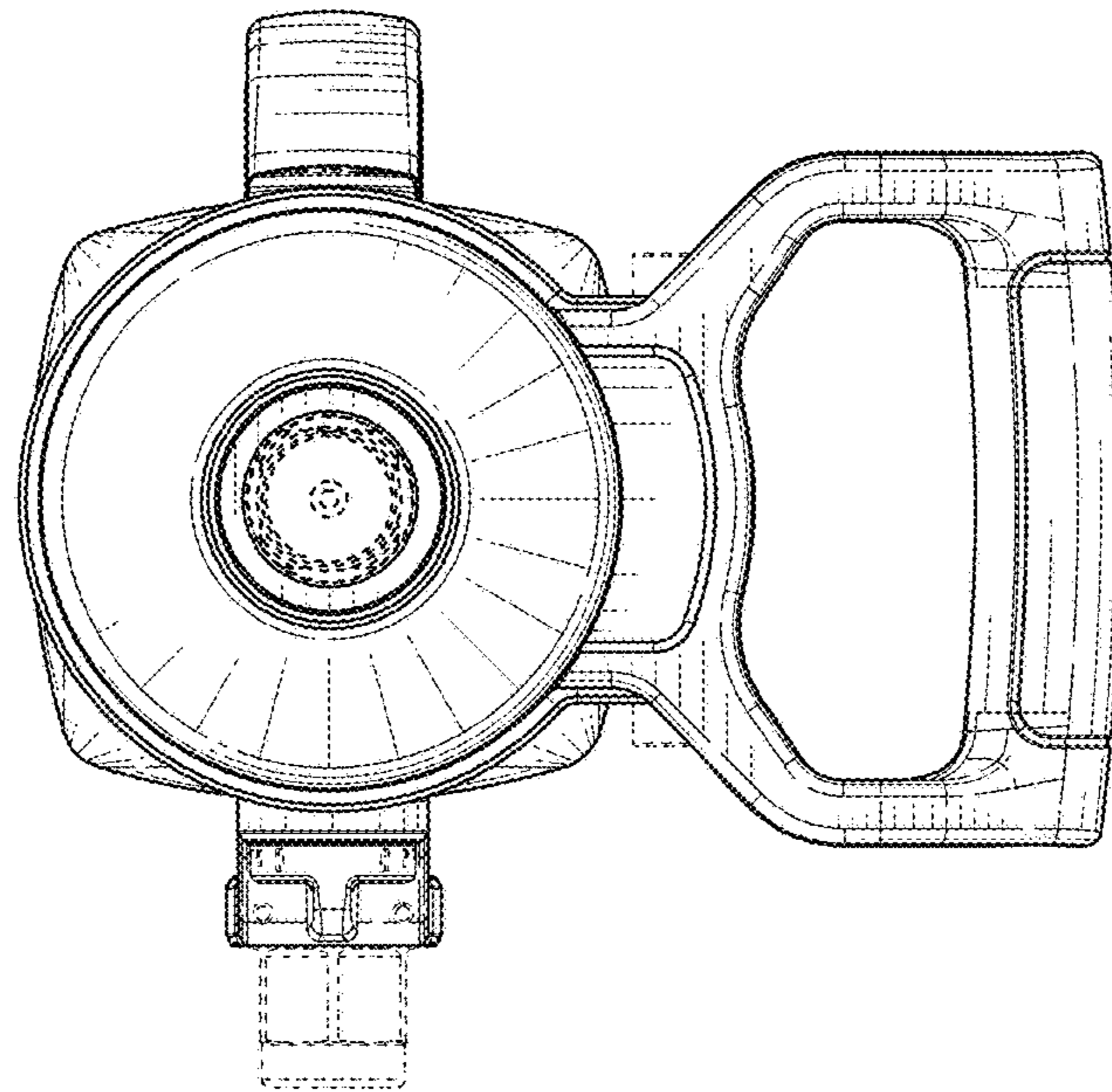


FIG. 6

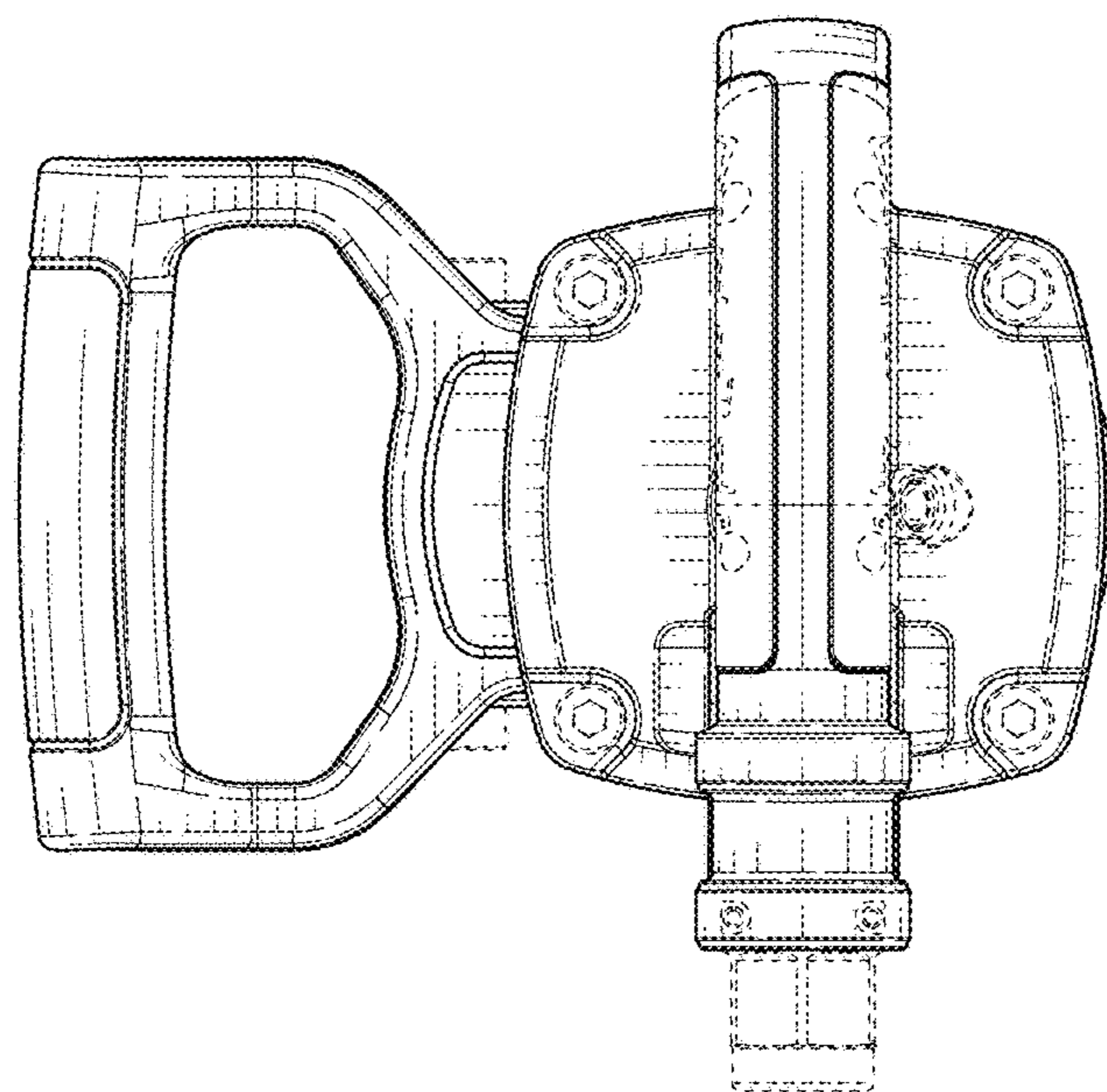


FIG. 7