



US00D853814S

(12) **United States Design Patent** (10) **Patent No.:** **US D853,814 S**
Koeniger et al. (45) **Date of Patent:** **** Jul. 16, 2019**

(54) **DUST REDUCTION UNIT FOR A CORDLESS ROTARY HAMMER**

(71) Applicant: **Hilti Aktiengesellschaft**, Schaan (LI)

(72) Inventors: **Tobias Koeniger**, Bregenz (AU);
Graham Keevy, Aalen (DE); **Christian Scheidel**, Aalen (DE); **Farouk Zemni**, Stuttgart (DE)

(73) Assignee: **Hilti Aktiengesellschaft**, Schaan (LI)

(**) Term: **15 Years**

(21) Appl. No.: **29/612,558**

(22) Filed: **Aug. 2, 2017**

Related U.S. Application Data

(62) Division of application No. 35/500,734, filed on Mar. 7, 2016 (U.S. filing date under 35 U.S.C. 384), and having an international filing date of Mar. 7, 2016, now Pat. No. Des. 797,535.

(51) **LOC (11) Cl.** **08-05**

(52) **U.S. Cl.**
USPC **D8/69**

(58) **Field of Classification Search**
USPC D8/14.1, 61-70
CPC B25D 16/00; B25D 17/02; B25D 11/125
See application file for complete search history.

(56) **References Cited**

U.S. PATENT DOCUMENTS

D524,626 S * 7/2006 Stirm D8/69
D527,601 S * 9/2006 Stirm D8/69
D535,537 S * 1/2007 Aglassinger D8/69
D540,642 S * 4/2007 Stirm D8/69

D543,082 S * 5/2007 Stirm D8/69
D575,606 S * 8/2008 Okouchi D8/69
D581,235 S * 11/2008 Aglassinger D8/69
D663,183 S * 7/2012 Sell D8/69
D676,731 S * 2/2013 Aglassinger D8/69
D691,011 S * 10/2013 Walz D8/68
D695,086 S * 12/2013 Walz D8/68
D740,636 S * 10/2015 Koeniger D8/69
2014/0318821 A1 * 10/2014 Wyler B25D 11/125
173/104

FOREIGN PATENT DOCUMENTS

WO WO DM/075961 6/2011
WO WPO DM/076048 6/2011

* cited by examiner

Primary Examiner — Darlington Ly

(74) *Attorney, Agent, or Firm* — Crowell & Moring LLP

(57) **CLAIM**

The ornamental design for a dust reduction unit for a cordless rotary hammer, as shown and described.

DESCRIPTION

FIG. 1 is a top, front, and left side perspective view of a dust reduction unit for a cordless rotary hammer showing our new design;

FIG. 2 is a bottom, rear, and right side perspective view thereof;

FIG. 3 is a left side elevation view thereof;

FIG. 4 is a right side elevation view thereof;

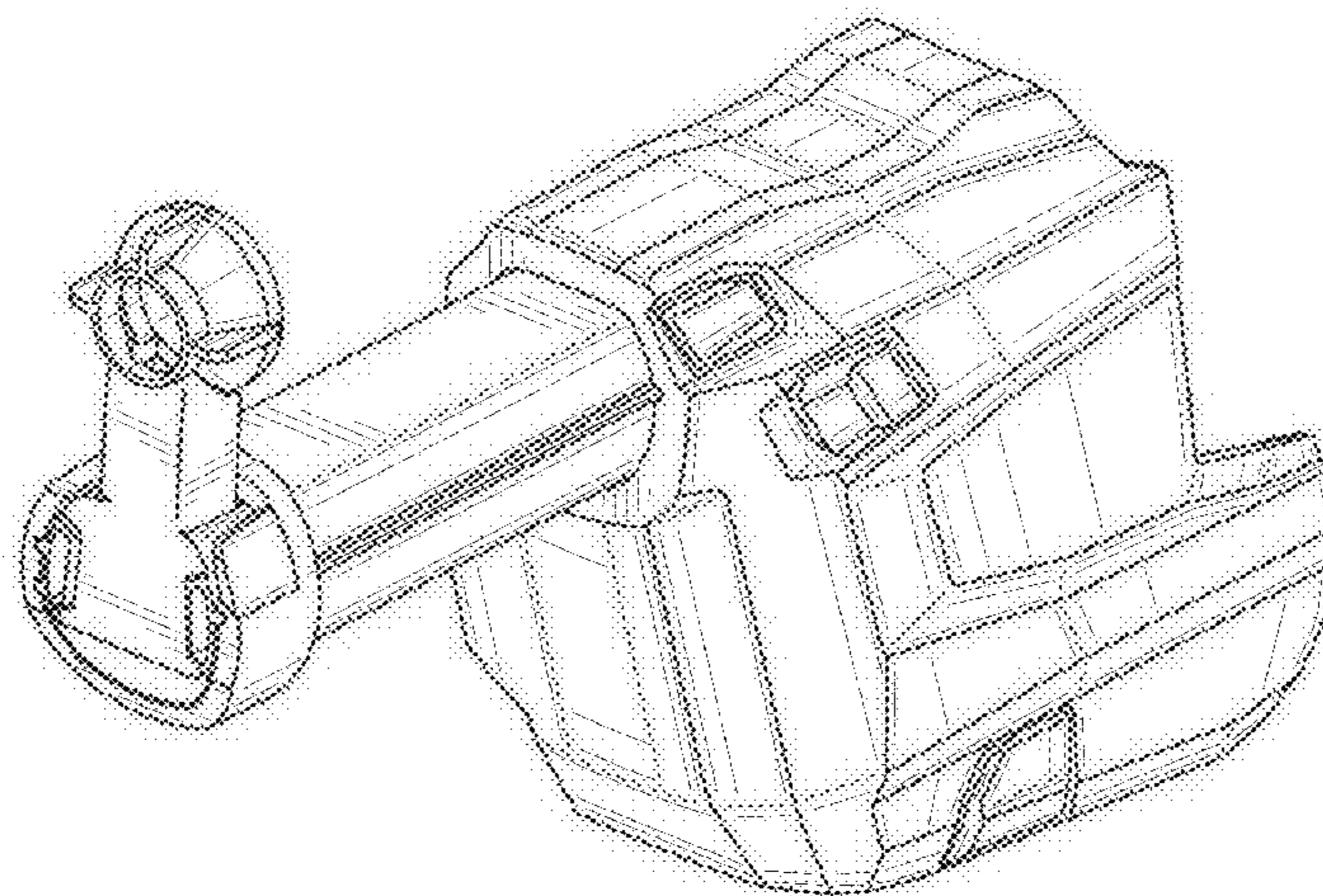
FIG. 5 is a top plan view thereof;

FIG. 6 is a bottom plan view thereof;

FIG. 7 is a front elevation view thereof; and,

FIG. 8 is a rear elevation view thereof.

1 Claim, 8 Drawing Sheets



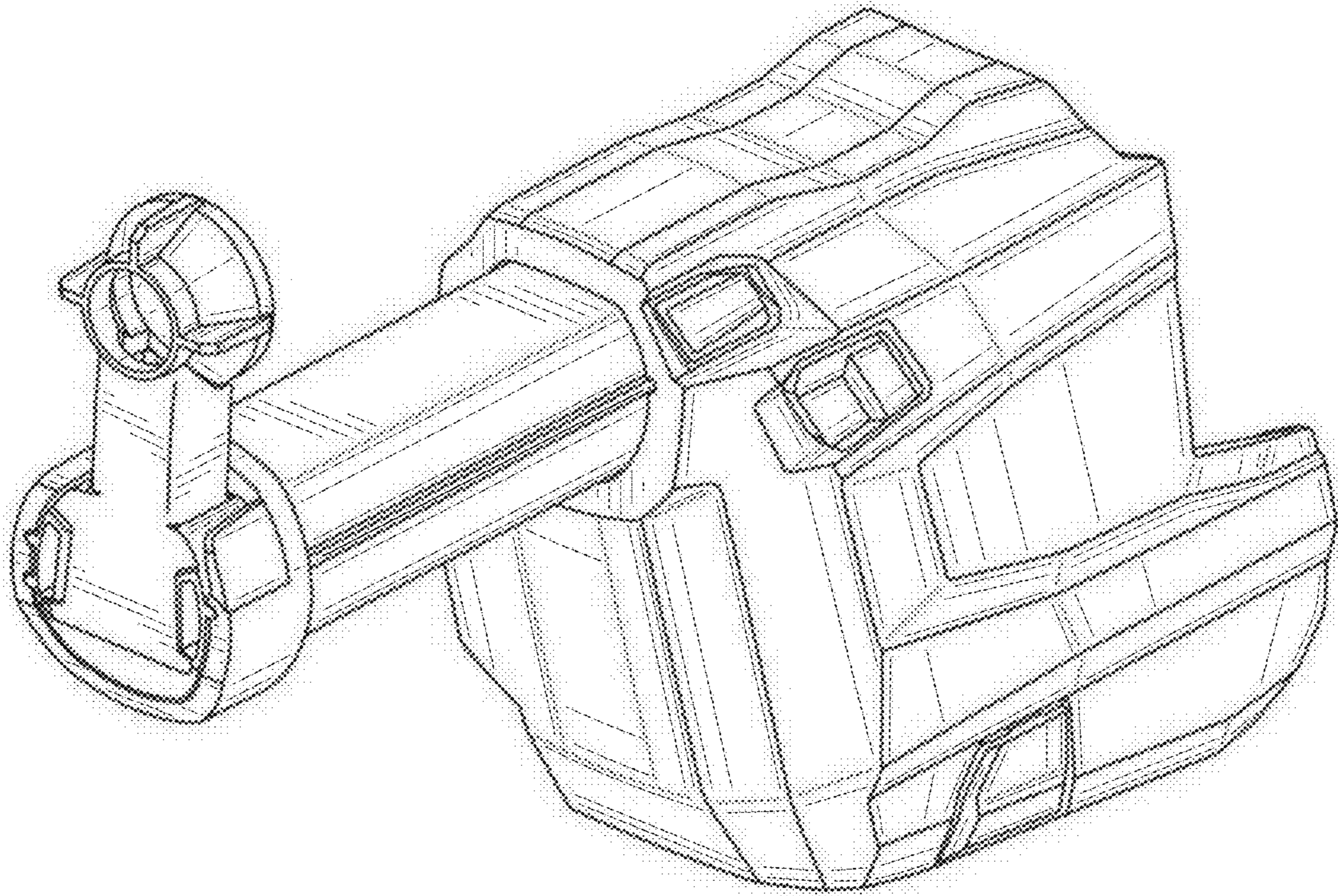


FIG. 1

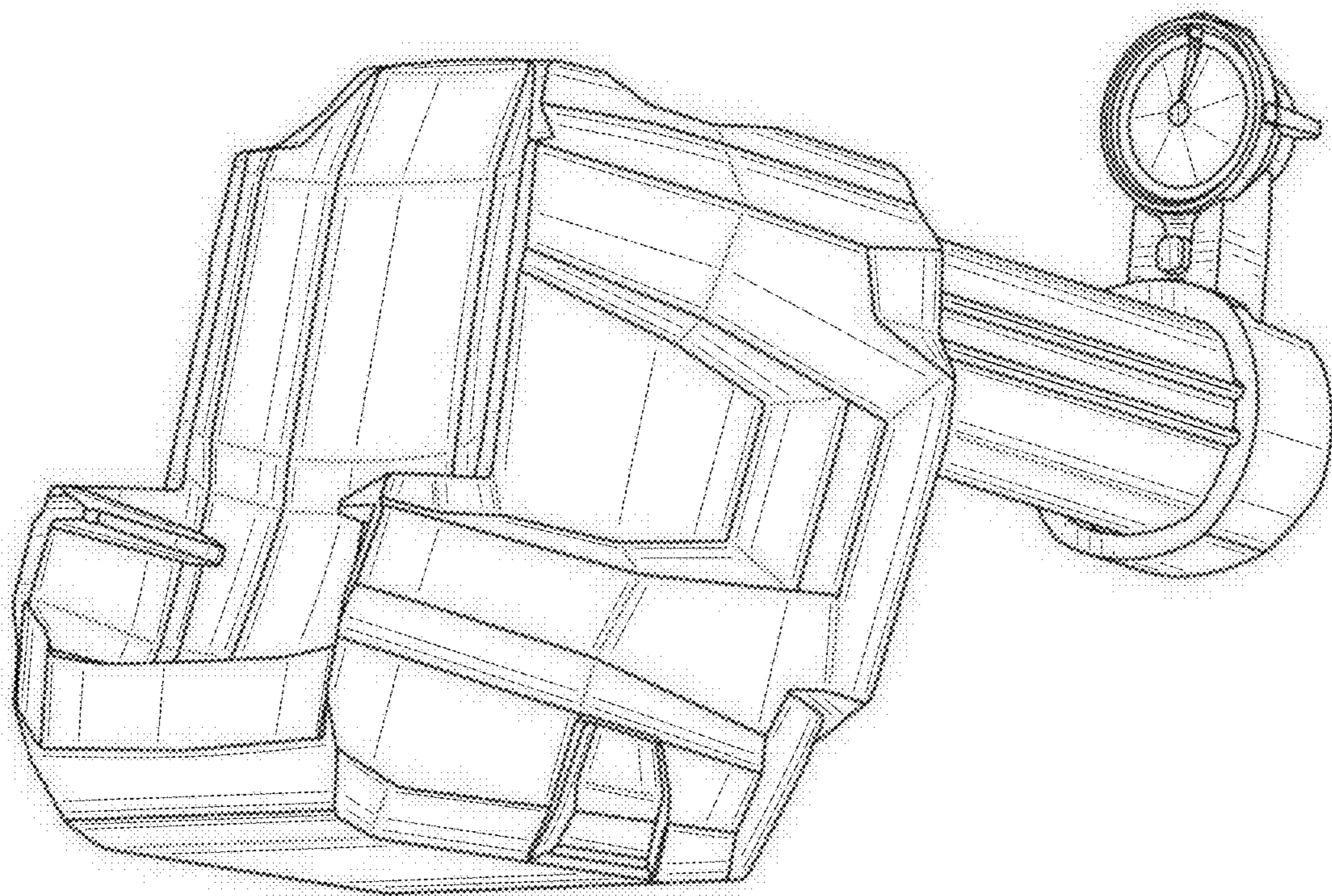


FIG. 2

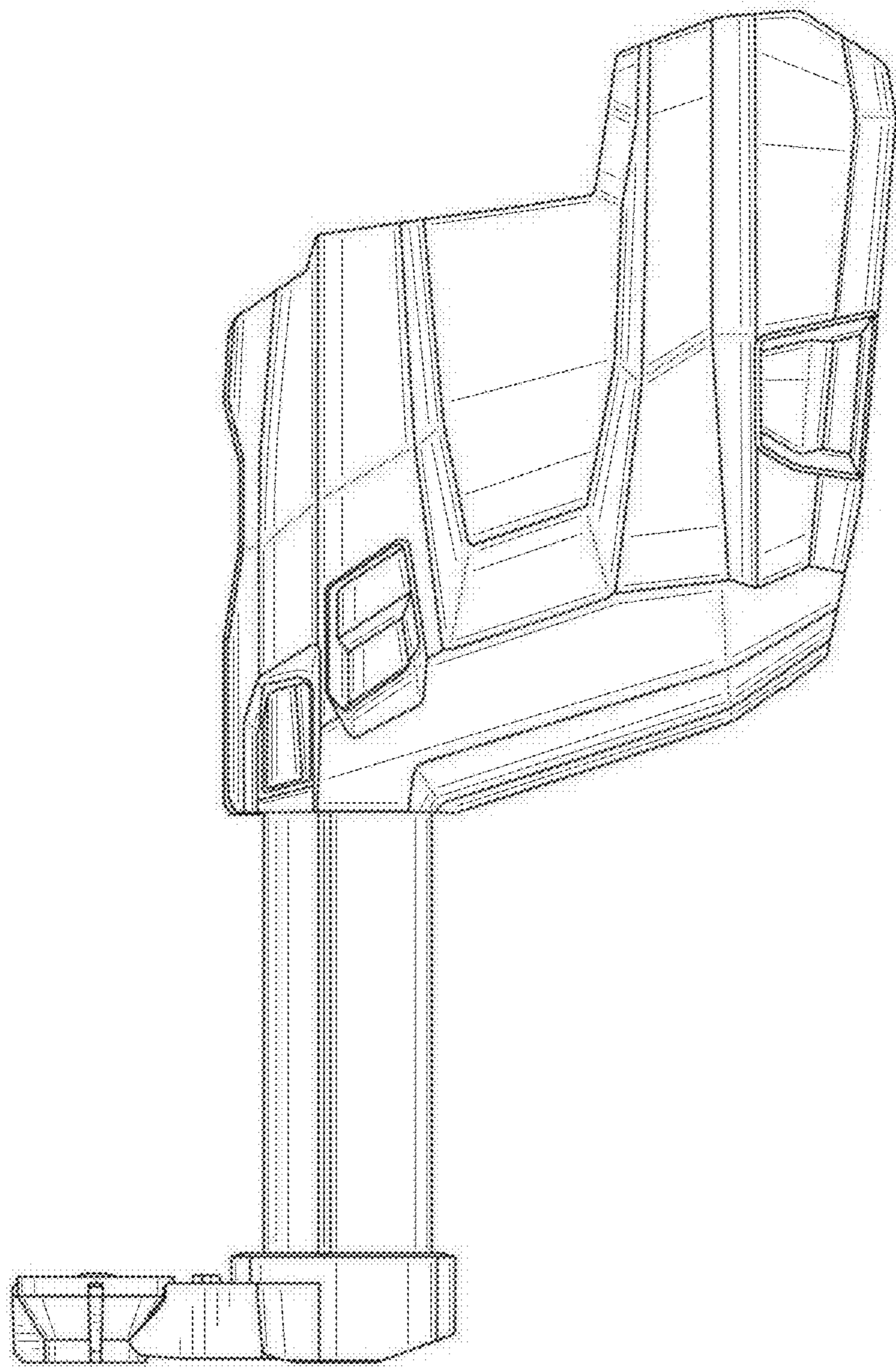


FIG. 3

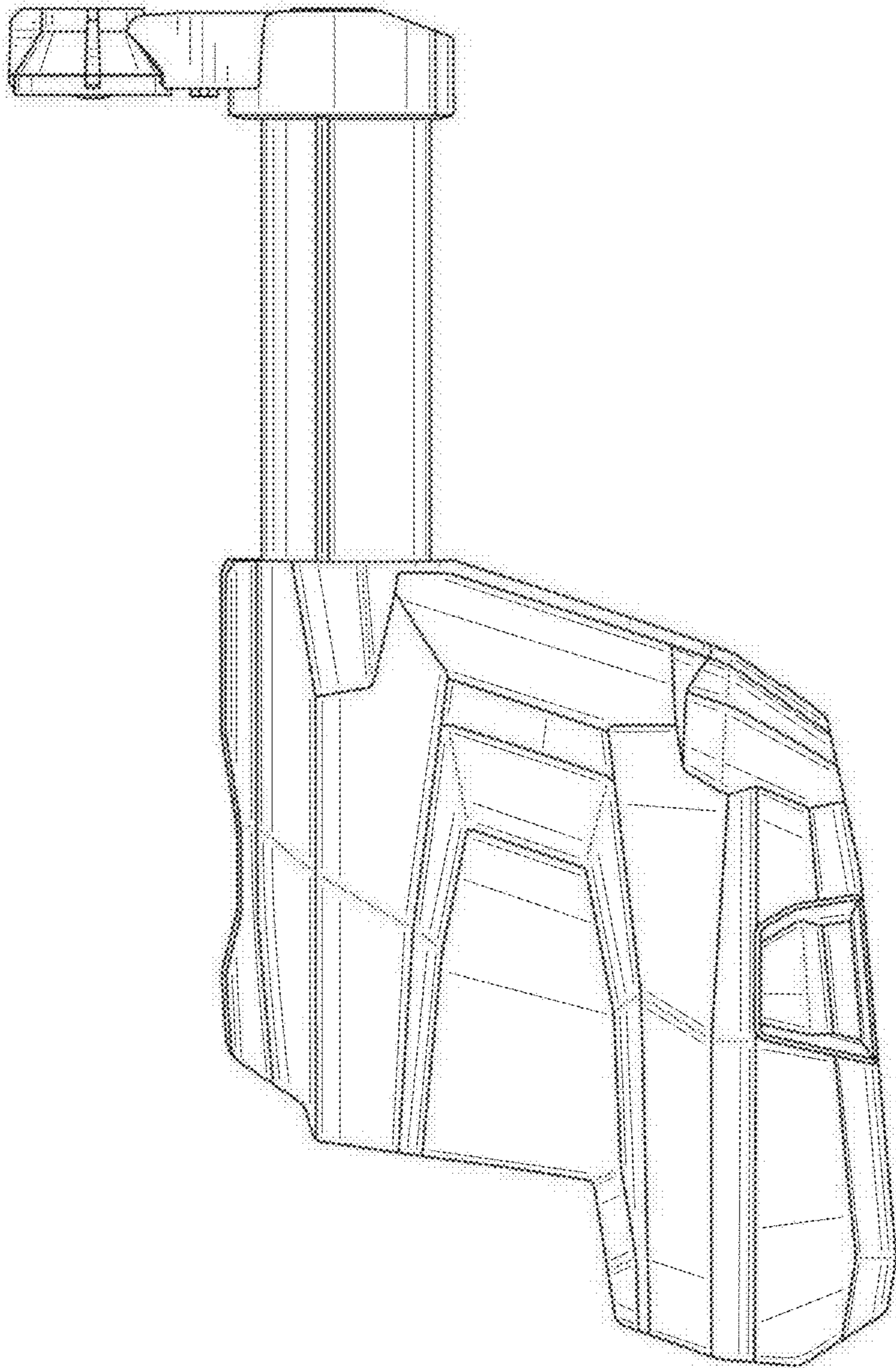


FIG. 4

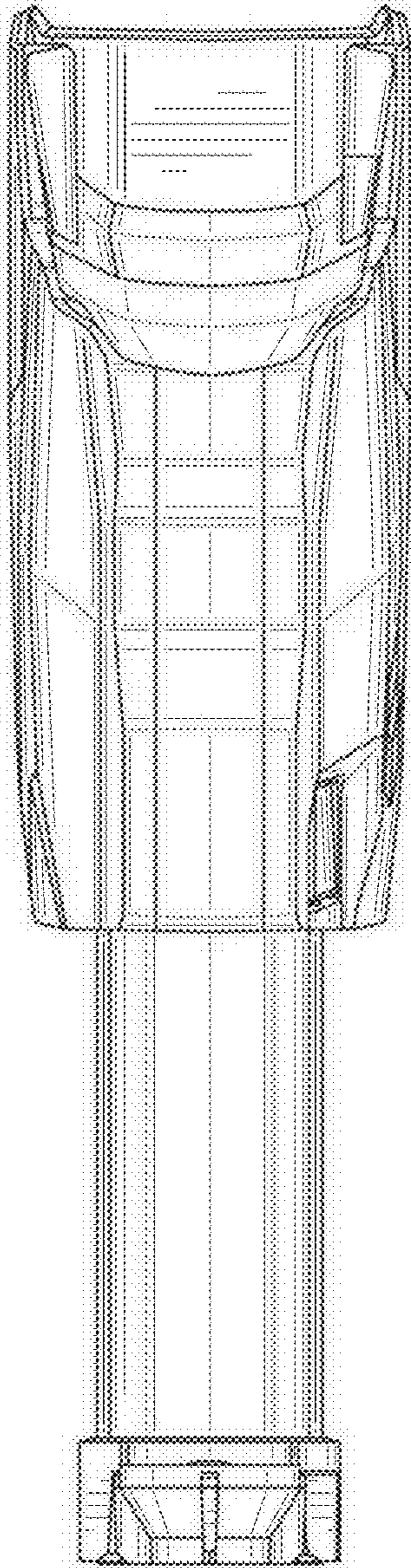


FIG. 5

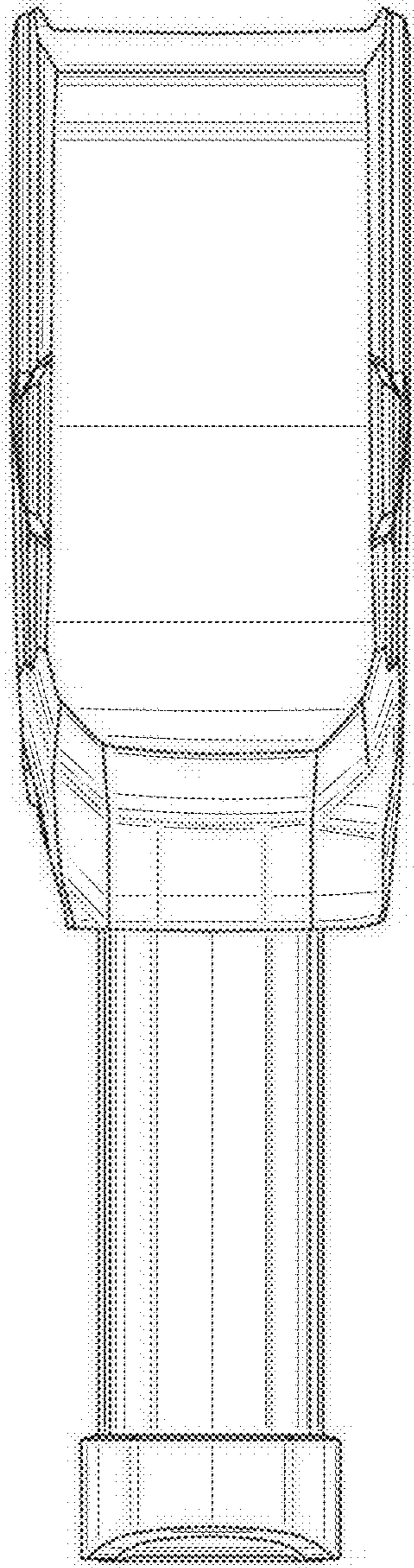


FIG. 6

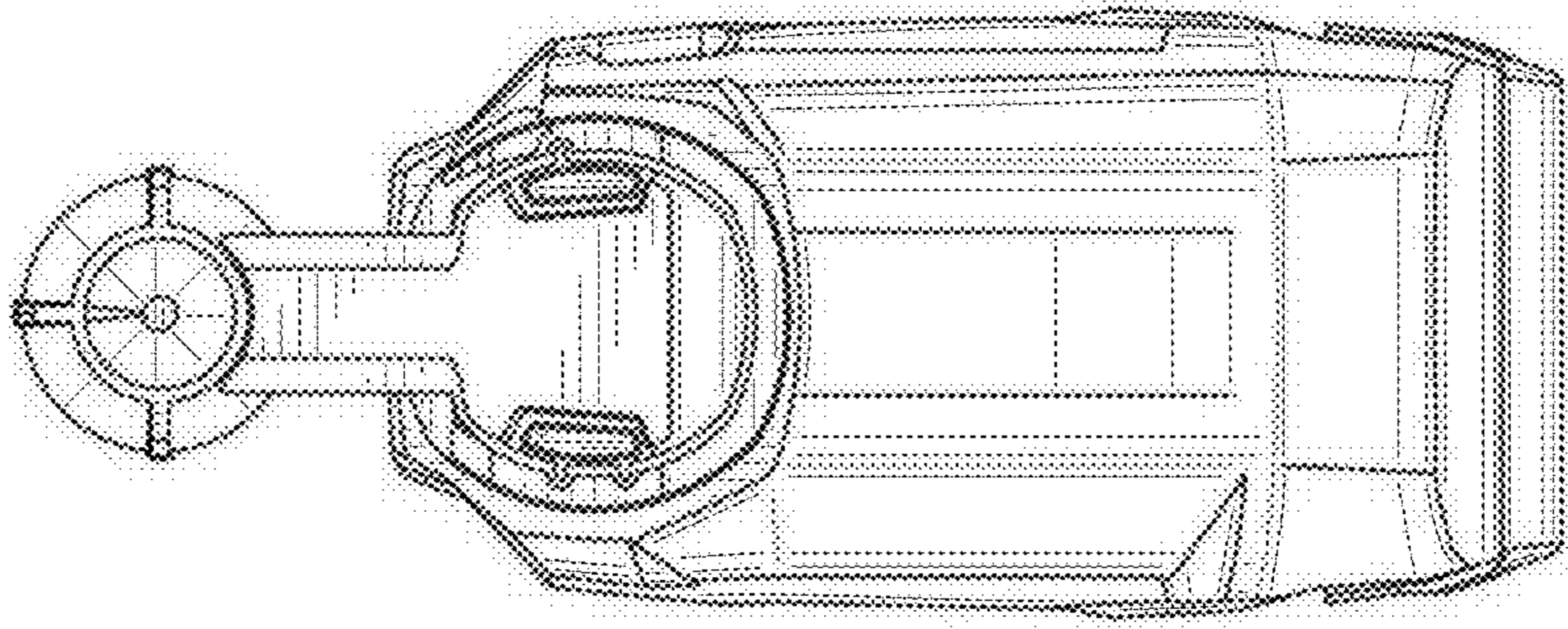


FIG. 7

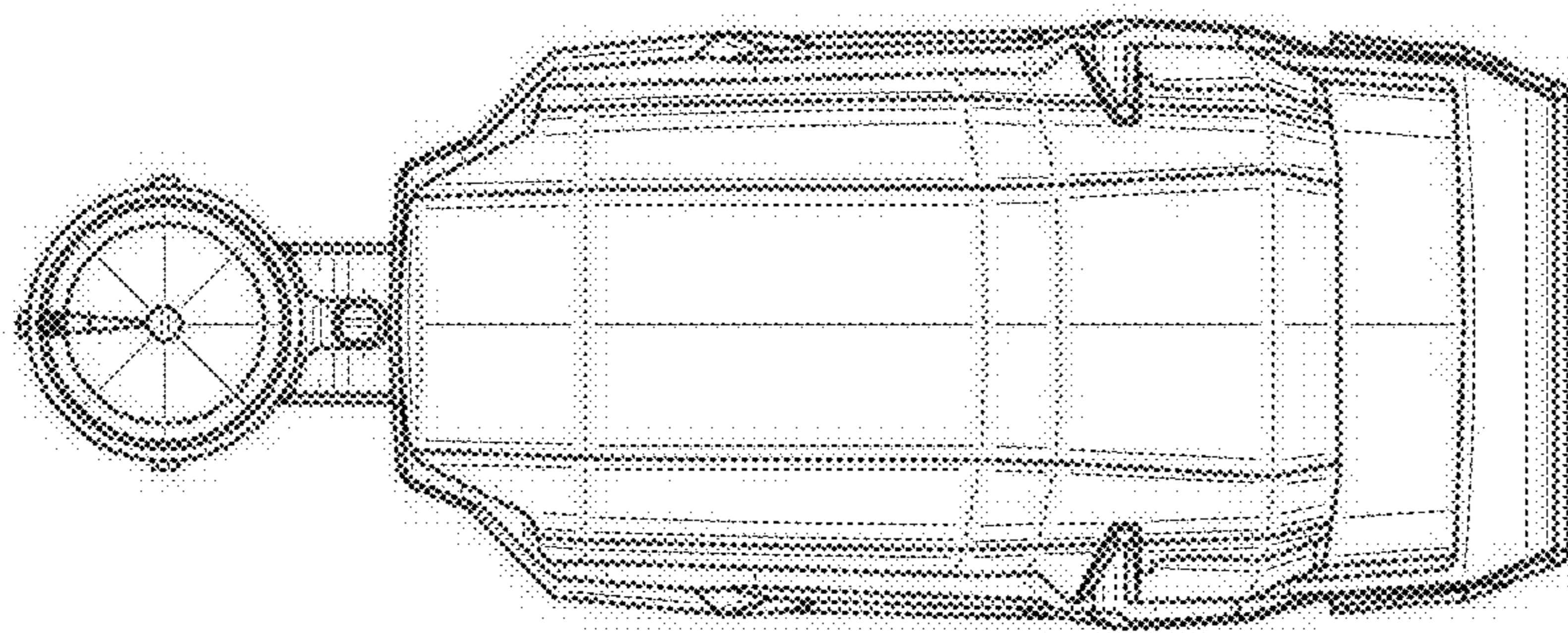


FIG. 8