



US00D853813S

(12) **United States Design Patent** (10) **Patent No.:** **US D853,813 S**
Lagman et al. (45) **Date of Patent:** **** Jul. 16, 2019**

(54) **POWER TOOL**

5,783,998 A 7/1998 Nakajou et al.
D397,991 S 9/1998 Kawakami et al.
D412,485 S 8/1999 Kato et al.

(71) Applicant: **TTI (MACAO COMMERCIAL OFFSHORE) LIMITED**, Macau (MO)

(Continued)

(72) Inventors: **Eric Lagman**, Anderson, SC (US);
Thomas Parel, Clemson, SC (US);
James Patton, Anderson, SC (US);
Taku Ohi, Greer, SC (US); **Denis Fauteux**, Tsing Yi (HK); **Raymond Lee**, Shatin (HK); **Joe Zhao**, Dongguan (CN); **J G Zhao**, Dongguan (CN);
Jason Lishengping, Dongguan (CN)

FOREIGN PATENT DOCUMENTS

EP 000683503-0001 6/2007
EP 000849468-0001 2/2008

(Continued)

(73) Assignee: **TTI (MACAO COMMERCIAL OFFSHORE) LIMITED**, Macau (MO)

OTHER PUBLICATIONS

Ryobi 18 Volt Compact Lithium Ion 1.5 Ah Battery, <https://www.amazon.com/Ryobi-P107-Compact-Lithium-Battery/dp/B00AV250JS/ref=sr_1_4?s=power-hand-tool&ie=UTF8&qid=1511132965&sr=1-4&keywords=ryobi+18v+batt> Ryobi, first available on amazon.com Dec. 31, 2012.

(**) Term: **15 Years**

(Continued)

(21) Appl. No.: **29/610,778**

Primary Examiner — Darlington Ly

(22) Filed: **Jul. 14, 2017**

(74) *Attorney, Agent, or Firm* — Michael Best & Friedrich LLP

(30) **Foreign Application Priority Data**

(57) **CLAIM**

Jan. 17, 2017 (CN) 2017 3 0018137

We claim the ornamental design for a power tool, as shown and described.

(51) **LOC (11) Cl.** **08-05**

DESCRIPTION

(52) **U.S. Cl.**
USPC **D8/69**

(58) **Field of Classification Search**
USPC D8/14.1, 61-70
CPC B25D 16/00; B25D 17/02; B25D 11/125
See application file for complete search history.

FIG. 1 is a front perspective view of a power tool showing our new design;
FIG. 2 is a rear perspective view thereof;
FIG. 3 is a front elevation view thereof;
FIG. 4 is a rear elevation view thereof;
FIG. 5 is a top plan view thereof;
FIG. 6 is a bottom plan view thereof;
FIG. 7 is a right side elevation view thereof; and,
FIG. 8 is a left side elevation view thereof.

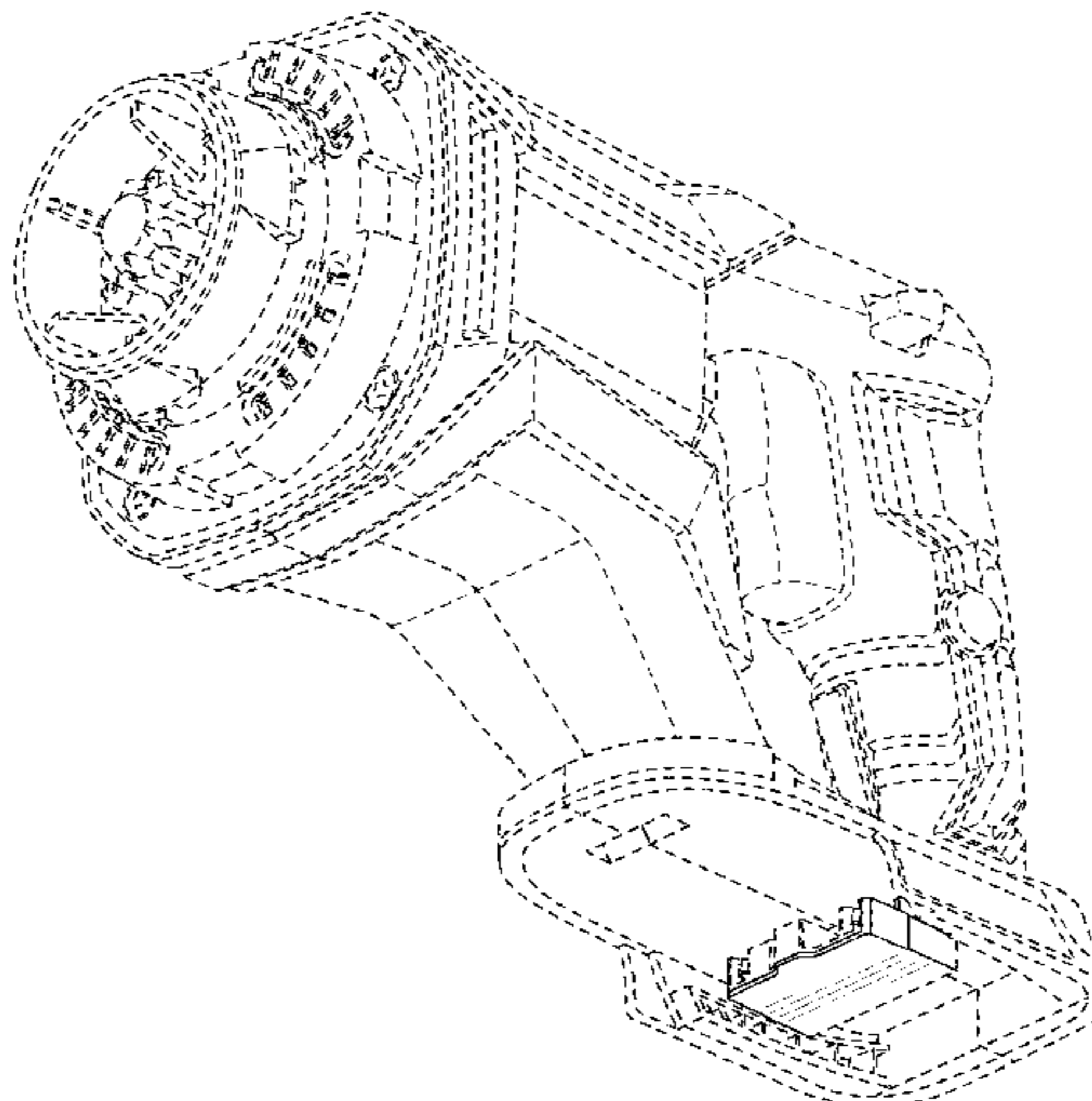
(56) **References Cited**

U.S. PATENT DOCUMENTS

D306,573 S 3/1990 Schultz
D306,574 S 3/1990 Schultz
D320,918 S * 10/1991 Mochida D8/68
D342,479 S 12/1993 Kimata
D350,111 S 8/1994 Okumura
D378,654 S * 4/1997 Matsuoka D8/69

The present application is directed to the design illustrated in the figures. The broken lines shown in the figures illustrate portions of the power tool and form no part of the claimed design.

1 Claim, 8 Drawing Sheets



(56)

References Cited

U.S. PATENT DOCUMENTS

D432,077 S 10/2000 Zurwelle et al.
 D435,013 S 12/2000 Clowers et al.
 D436,917 S 1/2001 Hayakawa et al.
 D442,452 S * 5/2001 Stirn D8/67
 6,357,533 B1 * 3/2002 Buchholz B25F 5/02
 173/217
 D456,002 S 4/2002 Kato et al.
 D466,777 S 12/2002 Watson
 D466,779 S 12/2002 Shibata et al.
 D466,781 S 12/2002 Matsuoka et al.
 D466,863 S 12/2002 Zurwelle et al.
 D471,865 S 3/2003 Garvis et al.
 D474,445 S 5/2003 Matsuoka et al.
 D477,811 S 7/2003 Niwa et al.
 D481,672 S 11/2003 Niwa et al.
 D483,012 S 12/2003 Hsu
 D484,458 S 12/2003 Garvis et al.
 D484,850 S 1/2004 Johnson
 D487,426 S 3/2004 Johnson
 D491,438 S * 6/2004 Cheung D8/68
 D502,377 S * 3/2005 Aglassinger D8/69
 D504,111 S 4/2005 Ozawa et al.
 D504,394 S 4/2005 Cheung et al.
 6,913,087 B1 7/2005 Brotto et al.
 D508,643 S 8/2005 Concari et al.
 D510,317 S 10/2005 Sun
 D511,744 S 11/2005 Hsu et al.
 D512,373 S 12/2005 Tsai et al.
 D512,961 S 12/2005 Okuda et al.
 6,971,456 B2 * 12/2005 Yamada B25F 5/008
 173/168
 D513,730 S 1/2006 Johnson
 D514,060 S 1/2006 Wong et al.
 D515,377 S 2/2006 Chung et al.
 D516,504 S 3/2006 Okuda et al.
 D523,807 S 6/2006 Murayama et al.
 D525,848 S 8/2006 Kokawa
 D527,971 S 9/2006 Kokawa
 D530,270 S 10/2006 Ozawa et al.
 D535,537 S * 1/2007 Aglassinger D8/69
 D536,944 S 2/2007 Tsai et al.
 D539,221 S 3/2007 Johnson et al.
 D544,436 S 6/2007 Kawahara et al.
 D545,759 S 7/2007 Ino et al.
 D550,152 S 9/2007 Okuda et al.
 7,270,910 B2 9/2007 Yahner et al.
 D553,562 S 10/2007 Okada et al.
 D555,086 S 11/2007 Zhang
 D555,451 S * 11/2007 Okuda D8/69
 D556,002 S 11/2007 Ino
 D558,670 S 1/2008 Ritterling et al.
 D562,228 S 2/2008 Okada et al.
 D565,374 S 4/2008 Zhang
 D568,239 S 5/2008 Okada et al.
 D574,688 S 8/2008 Yamamoto
 D575,224 S 8/2008 Taniguchi et al.
 D575,606 S * 8/2008 Okouchi D8/69
 D579,868 S 11/2008 Harrison
 D580,351 S 11/2008 Elsmark et al.
 D580,353 S 11/2008 Harrison et al.
 D581,235 S * 11/2008 Aglassinger D8/69
 D586,639 S * 2/2009 Yamamoto D8/69
 D587,547 S * 3/2009 Aglassinger D8/69
 7,508,171 B2 3/2009 Carrier et al.
 D590,333 S 4/2009 Price et al.
 D592,028 S * 5/2009 Taniguchi D8/69
 D593,944 S 6/2009 Smith
 D595,101 S * 6/2009 Bast D8/68
 D597,931 S 8/2009 Aglassinger
 D597,932 S 8/2009 Aglassinger
 D597,933 S 8/2009 Aglassinger
 D597,934 S 8/2009 Aglassinger
 D597,935 S 8/2009 Aglassinger
 D598,373 S 8/2009 Aglassinger
 D604,583 S * 11/2009 Yamamoto D8/69

D604,694 S 11/2009 Aglassinger
 D604,695 S 11/2009 Aglassinger
 D606,935 S 12/2009 Murayama et al.
 D607,814 S 1/2010 Tsuzuki et al.
 D610,082 S 2/2010 Sweeney
 D610,478 S * 2/2010 Bast D10/69
 7,719,234 B2 5/2010 Carrier et al.
 7,723,952 B2 5/2010 Phillips et al.
 D622,660 S 8/2010 Taniguchi et al.
 D622,661 S 8/2010 Yamada et al.
 7,801,651 B2 9/2010 Iwers
 D628,454 S 12/2010 Misaki
 7,868,591 B2 1/2011 Phillips et al.
 D633,036 S 2/2011 Murray
 D639,730 S 6/2011 Kawase
 D640,196 S 6/2011 Shuang et al.
 D640,197 S 6/2011 Park et al.
 D640,975 S 7/2011 Okuda et al.
 D642,037 S 7/2011 Miller et al.
 D646,136 S * 10/2011 Aglassinger D8/69
 D646,947 S 10/2011 Lopano
 D651,560 S 1/2012 Park et al.
 8,129,955 B2 3/2012 White et al.
 D657,307 S 4/2012 Zhao et al.
 D658,578 S 5/2012 Davis
 D663,183 S * 7/2012 Sell D8/69
 D670,989 S 11/2012 Kawase et al.
 8,319,475 B2 11/2012 Choski et al.
 D675,500 S 2/2013 Taniguchi et al.
 D676,731 S * 2/2013 Aglassinger D8/69
 D678,025 S 3/2013 Naksen et al.
 D678,744 S 3/2013 Aoki et al.
 D679,161 S 4/2013 Kawase et al.
 D679,651 S 4/2013 Stratford
 D682,192 S 5/2013 Corbin
 D682,193 S 5/2013 Corbin
 D682,194 S 5/2013 Jiang et al.
 8,436,584 B2 5/2013 Johnson et al.
 D684,028 S 6/2013 Costoli
 D684,528 S 6/2013 Murray
 D685,246 S 7/2013 Tatic
 D685,730 S 7/2013 Hamm et al.
 D691,011 S * 10/2013 Walz D8/68
 D692,380 S 10/2013 Tirone
 D699,670 S 2/2014 Cooper
 D700,821 S 3/2014 Tschopp
 D706,603 S * 6/2014 Kokawa D8/16
 D708,496 S 7/2014 Zhou
 D710,794 S 8/2014 Busschaert et al.
 D716,626 S * 11/2014 Sell D8/69
 D718,705 S 12/2014 Naksen
 D722,016 S 2/2015 Beukema
 9,014,866 B2 4/2015 Moriai et al.
 9,112,248 B2 8/2015 Johnson et al.
 2003/0096158 A1 5/2003 Takano et al.
 2005/0073282 A1 4/2005 Carrier et al.
 2008/0150474 A1 6/2008 Ball et al.
 2010/0176766 A1 7/2010 Brandner et al.
 2012/0037385 A1 2/2012 Suzuki et al.
 2012/0292070 A1 11/2012 Ito et al.
 2013/0026983 A1 1/2013 Yamamoto et al.
 2014/0107853 A1 4/2014 Ashinghurst et al.
 2014/0159919 A1 6/2014 Furui et al.
 2014/0159920 A1 6/2014 Furui et al.
 2014/0210265 A1 7/2014 Thorsge
 2014/0368168 A1 12/2014 Beckman
 2015/0041164 A1 2/2015 Sergyeyenko et al.
 2015/0097518 A1 4/2015 Bishop et al.
 2015/0127186 A1 5/2015 Moriai et al.
 2015/0185289 A1 7/2015 Yang et al.
 2015/0214758 A1 7/2015 Toya et al.
 2015/0280457 A1 10/2015 Jung et al.
 2017/0271632 A1 9/2017 Jenkins et al.

FOREIGN PATENT DOCUMENTS

EP 001065411-0001 1/2009
 EP 001074371-0004 4/2009
 EP 001193213-0001 2/2010

(56)

References Cited

FOREIGN PATENT DOCUMENTS

EP	001250559-0001	12/2010
EP	001916305-0001	9/2011
EP	002229716-0001	5/2013
EP	002239004-0001	5/2013
EP	002239004-0002	5/2013
EP	001392856-0001	1/2014
EP	002551820-0001	12/2014
EP	002674523-0001	4/2015
EP	002728105-0001	7/2015
EP	002513614-0001	9/2015
EP	002513614-0004	9/2015
EP	002773457-0001	10/2015
EP	002779694-0001	10/2015
EP	003027432-0001	3/2016
EP	003073840-0001	5/2016
EP	003073840-0002	5/2016
EP	003119973-0004	5/2016
EP	003119973-0005	5/2016
WO	2015061370	4/2015

OTHER PUBLICATIONS

Ryobi 130224054 Drill Battery Pack 18-volt, Ryobi, first available on Amazon.com on Mar. 26, 2013, retrieved on Apr. 16, 2018, retrieved from the Internet URL: https://www.amazon.com/Ryobi-130224054-Original-Equipment-Manufacturer/dp.B00C1KULDS/ref=sr_1_19?s=hi&ie=UTF8&qid=1523902511&sr=1-19&keywords=ryobi+battery+pack.

* cited by examiner

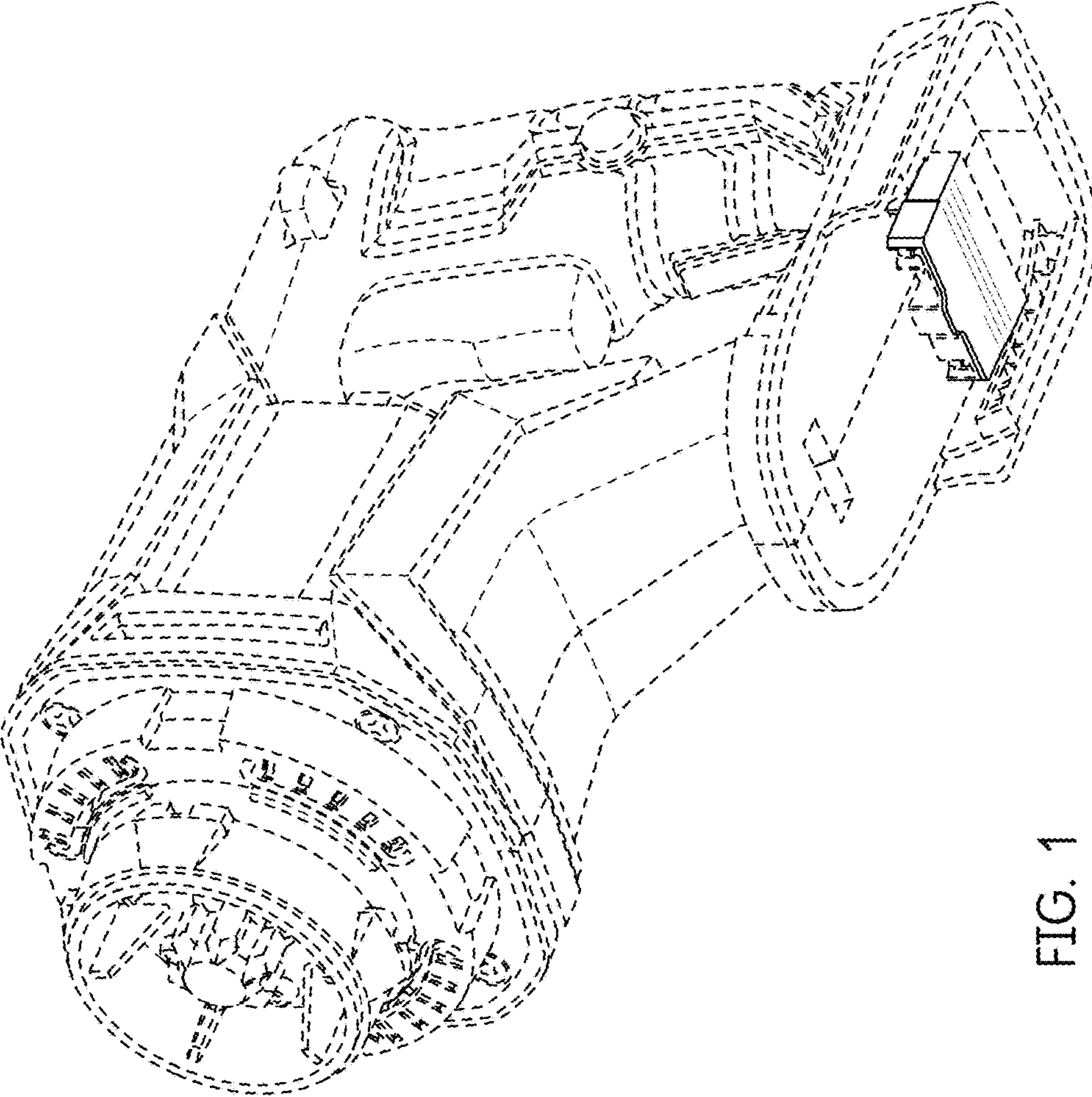


FIG. 1

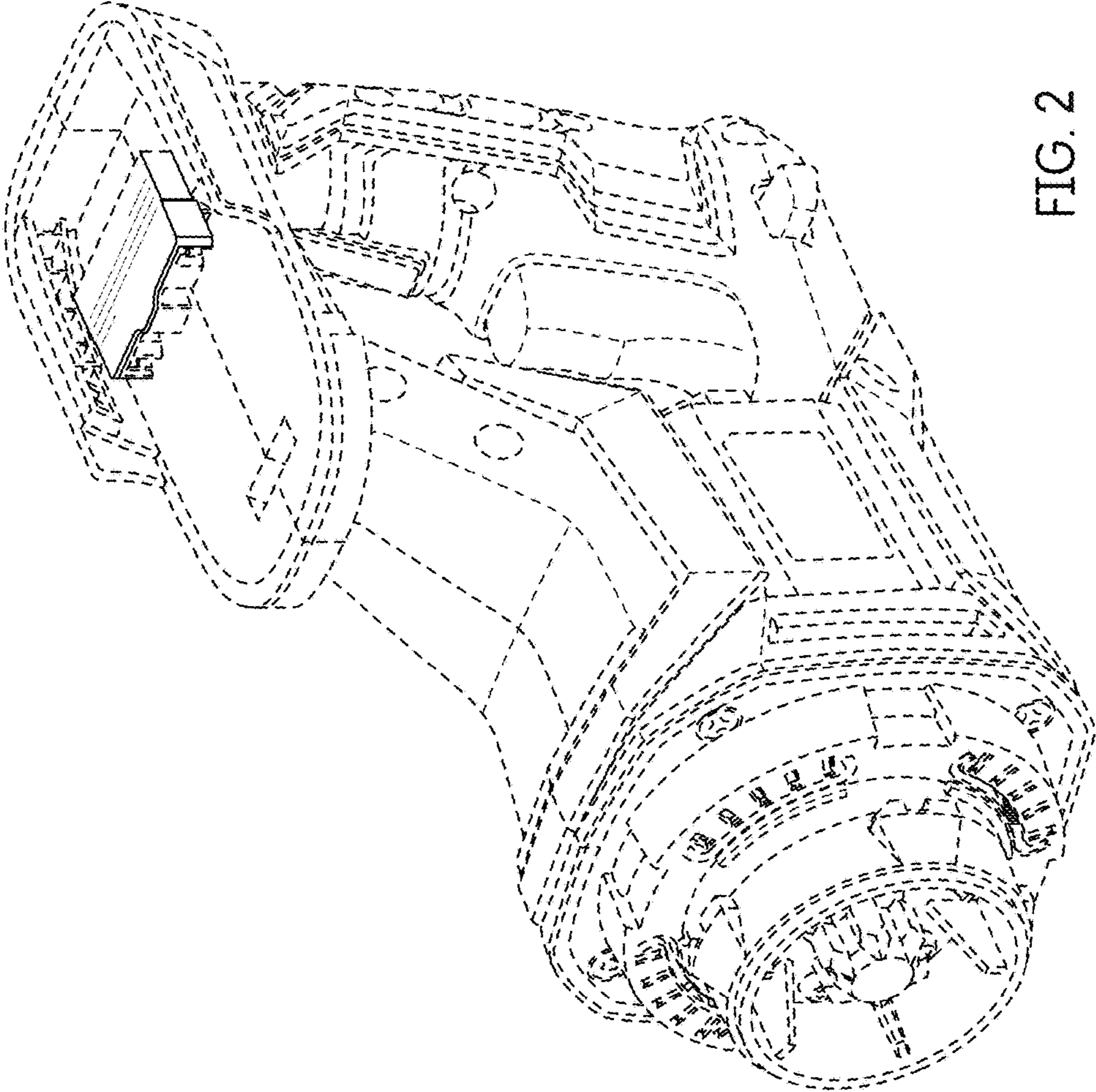


FIG. 2

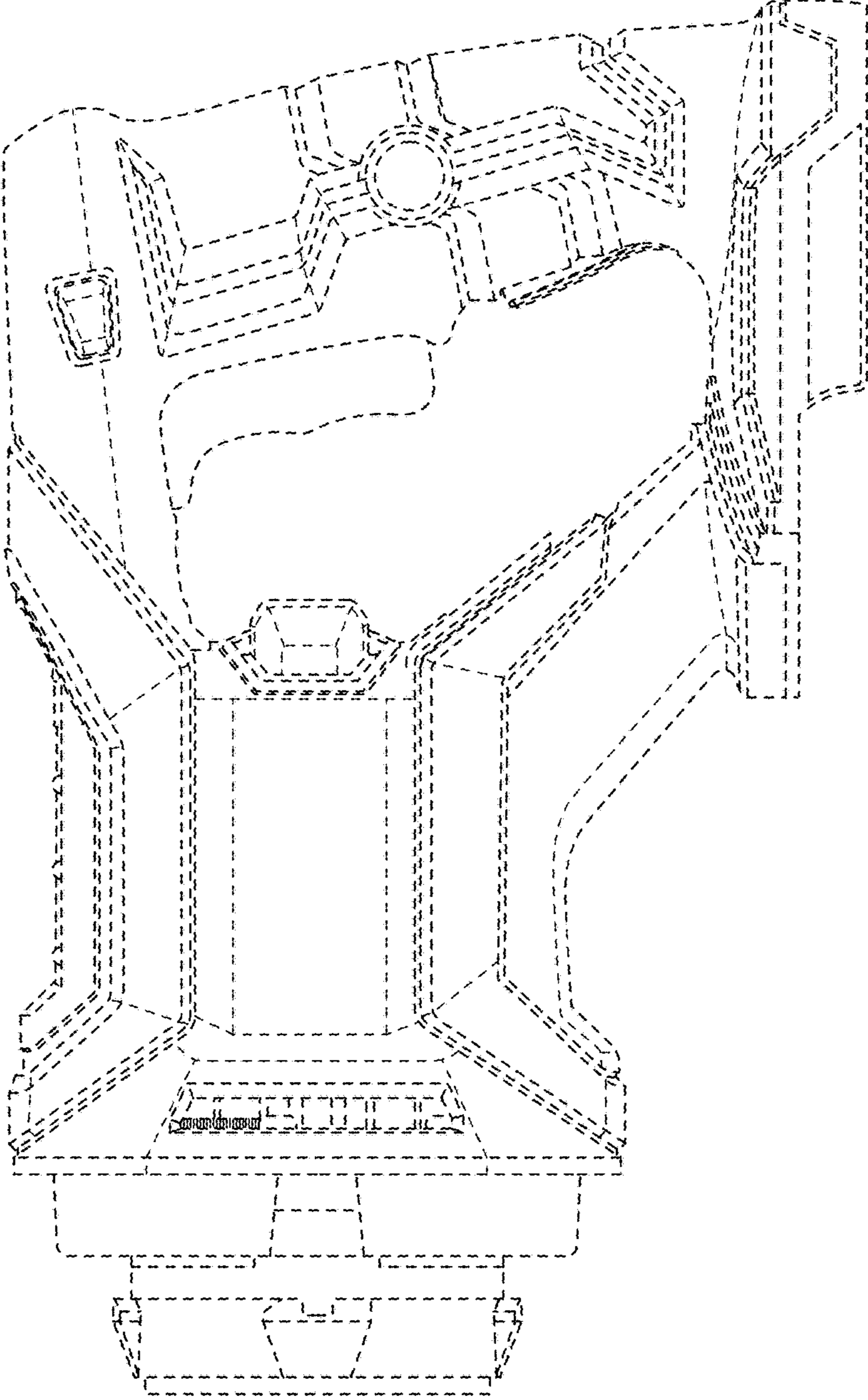


FIG. 3

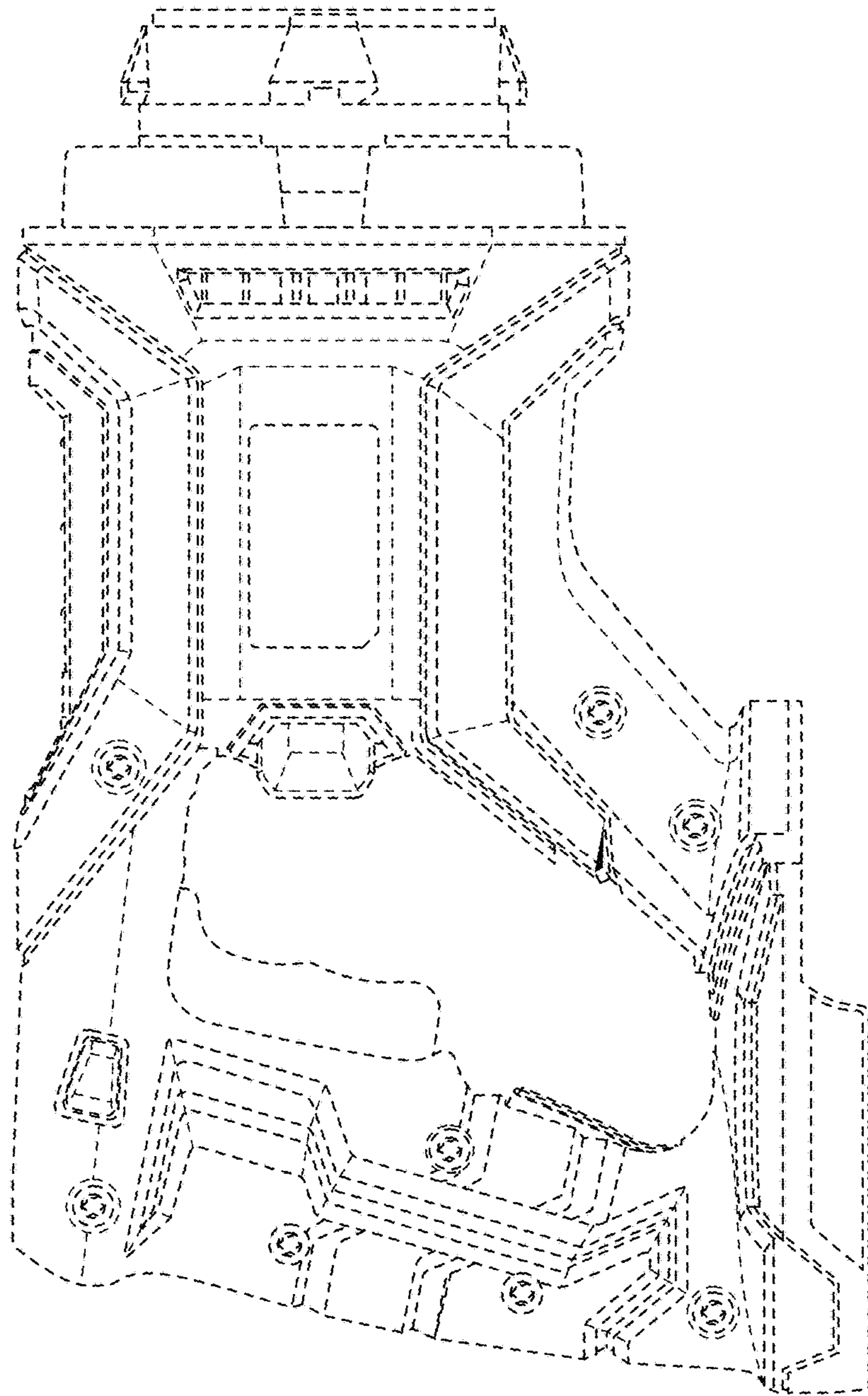


FIG. 4

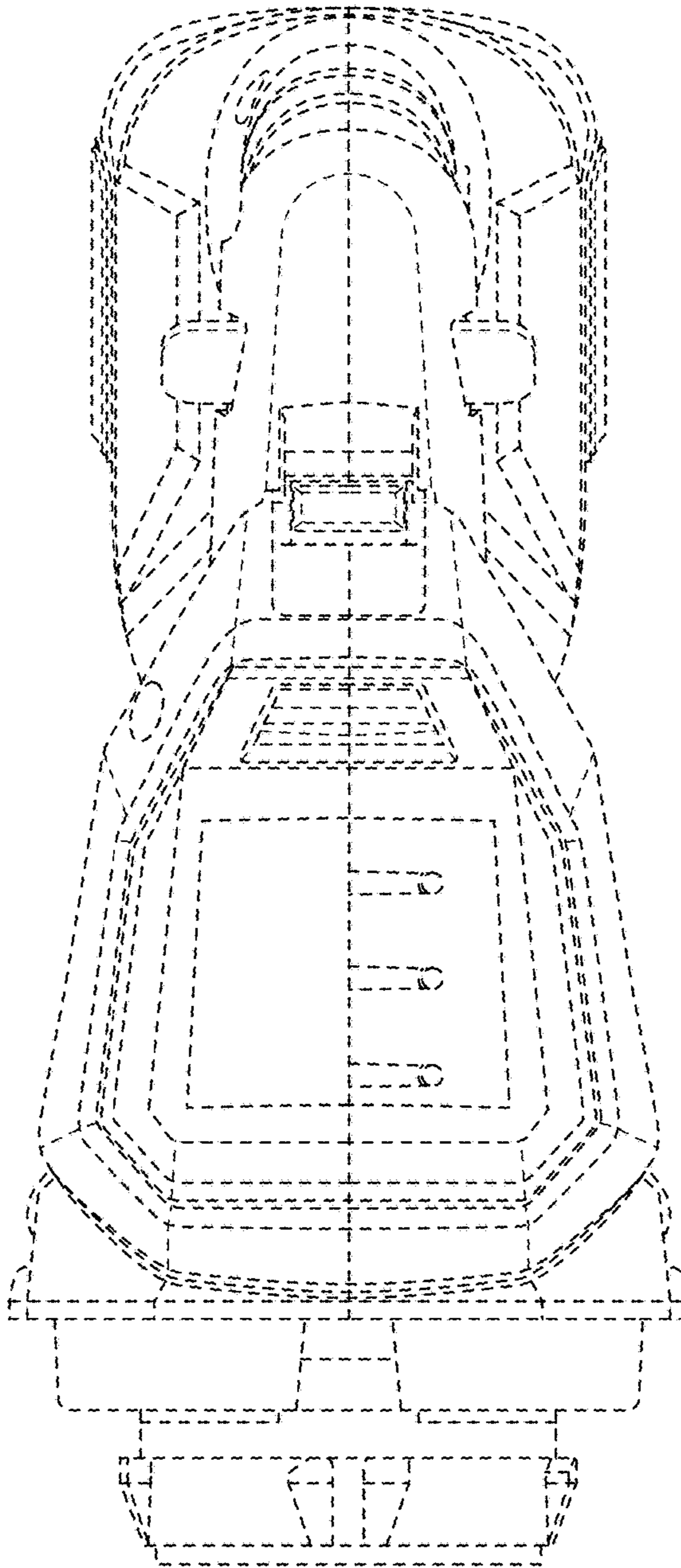


FIG. 5

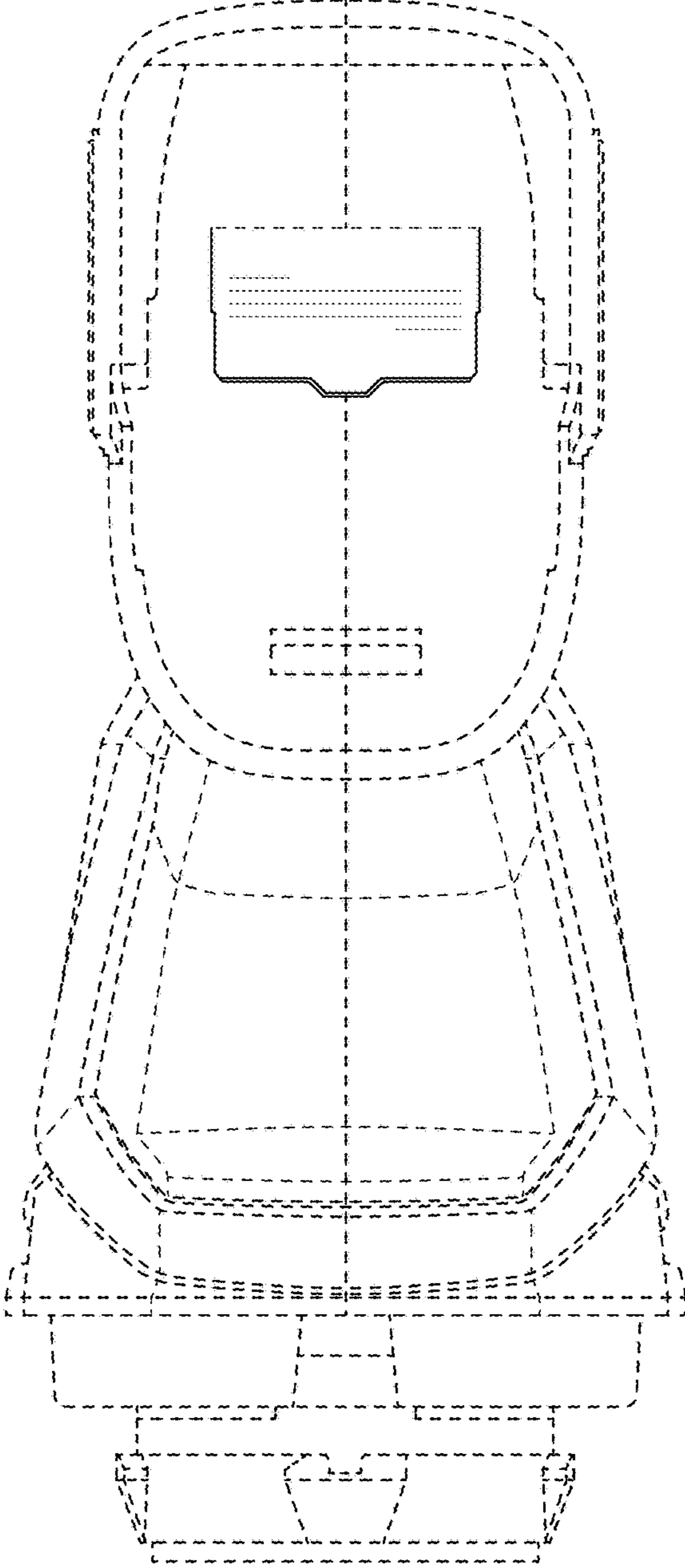


FIG. 6

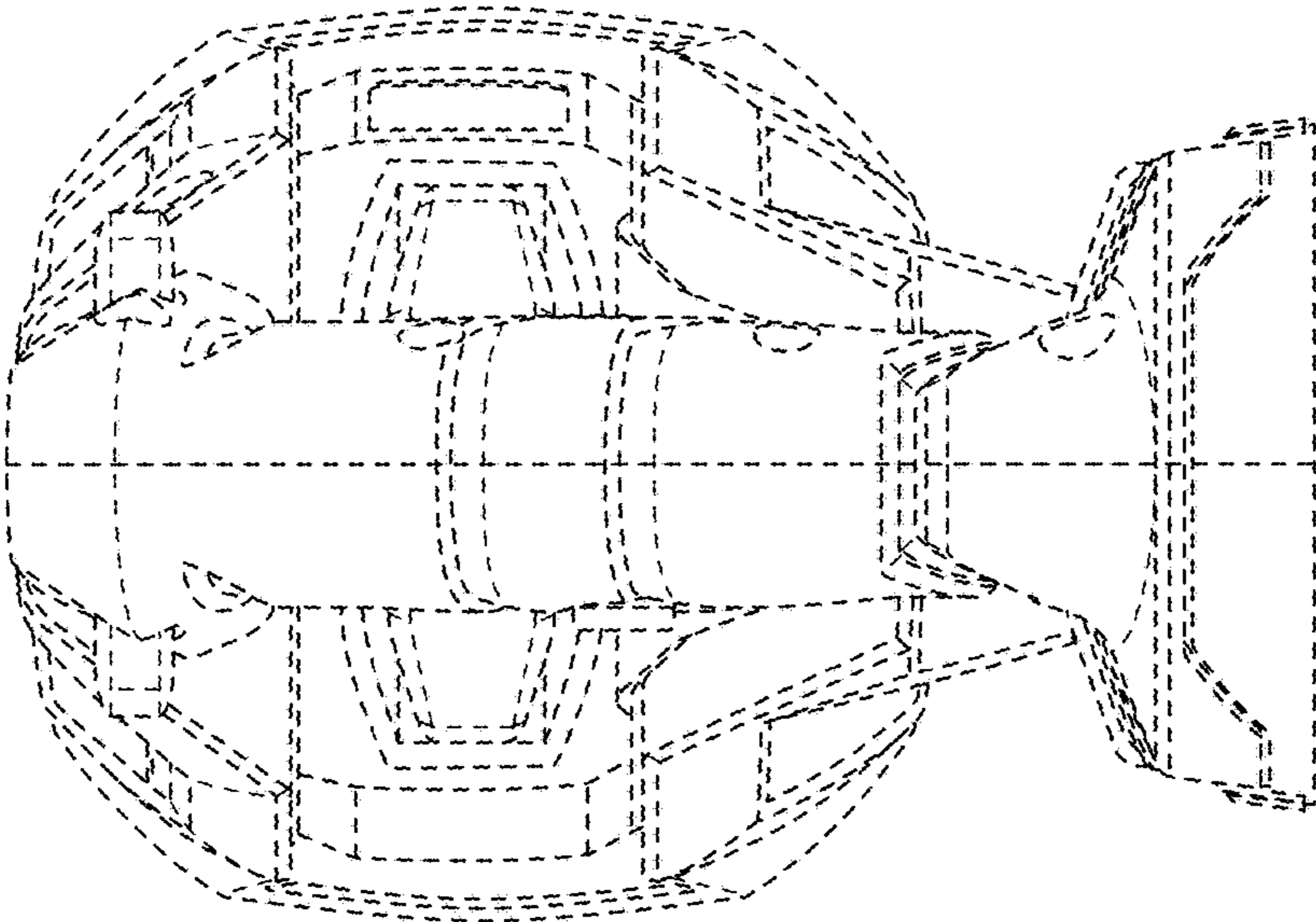


FIG. 7

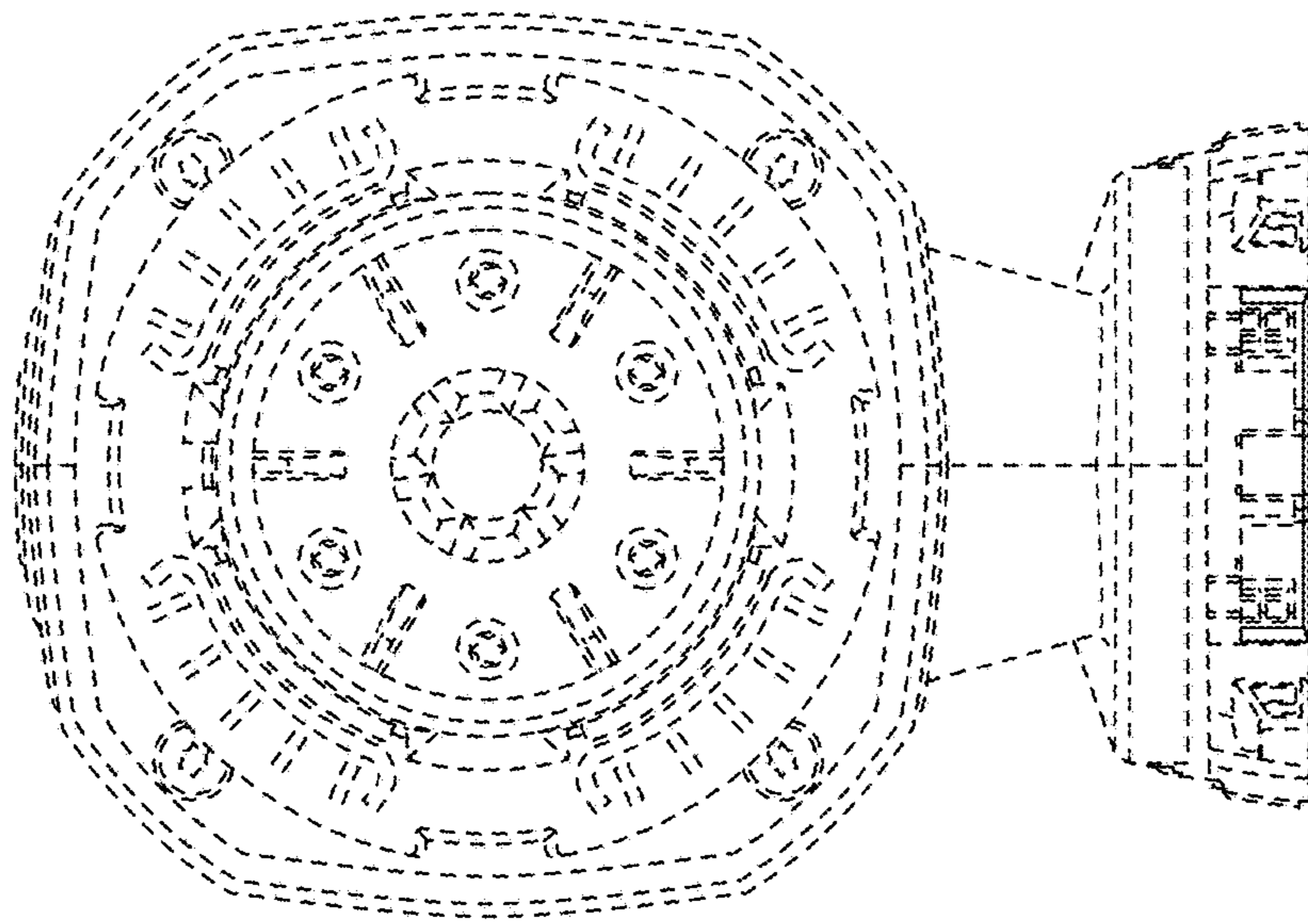


FIG. 8