



US00D853812S

(12) **United States Design Patent**  
**Valentini**

(10) **Patent No.:** **US D853,812 S**

(45) **Date of Patent:** **\*\* Jul. 16, 2019**

(54) **CASING FOR A POLISHING OR SANDING MACHINE**

(71) Applicant: **Guido Valentini**, Milan (IT)

(72) Inventor: **Guido Valentini**, Milan (IT)

(\*\*) Term: **15 Years**

(21) Appl. No.: **29/591,930**

(22) Filed: **Jan. 25, 2017**

(30) **Foreign Application Priority Data**

Aug. 15, 2016 (EM) ..... 003341445

(51) **LOC (11) Cl.** ..... **08-05**

(52) **U.S. Cl.**  
USPC ..... **D8/62; D15/126**

(58) **Field of Classification Search**  
USPC ..... D8/61, 64, 66, 76, 68, 69  
CPC ..... B24B 7/186; B24B 7/228; B24B 23/028;  
B24B 47/12; B25F 5/02; B25F 5/001  
See application file for complete search history.

(56) **References Cited**

**U.S. PATENT DOCUMENTS**

D522,334 S	*	6/2006	Waldron	.....	D8/62
D522,827 S	*	6/2006	Corcoran	.....	D8/62
D544,325 S	*	6/2007	Wright	.....	D8/62
D557,580 S	*	12/2007	Aglassinger	.....	D8/62
D558,016 S	*	12/2007	Aglassinger	.....	D8/62
D564,321 S	*	3/2008	Huguet	.....	D8/62
D567,610 S	*	4/2008	Wright	.....	D8/62
D581,759 S	*	12/2008	Aglassinger	.....	D8/62
D585,713 S	*	2/2009	Boulton	.....	D8/62

D593,826 S	*	6/2009	Aglassinger	.....	D8/62
D630,075 S	*	1/2011	Wright	.....	D8/62
D630,483 S	*	1/2011	Aglassinger	.....	D8/62
D634,170 S	*	3/2011	Hu	.....	D8/62
D637,055 S	*	5/2011	Schomisch	.....	D8/62
D637,056 S	*	5/2011	Schomisch	.....	D8/62
D637,057 S	*	5/2011	Schomisch	.....	D8/62
D660,118 S	*	5/2012	Bast	.....	D8/62
D685,240 S	*	7/2013	Waldron	.....	D8/62
D707,515 S	*	6/2014	Trochum	.....	D8/62
D710,171 S	*	8/2014	Aglassinger	.....	D8/62
D715,616 S	*	10/2014	Aglassinger	.....	D8/62
D786,643 S	*	5/2017	Valentini	.....	D8/62

\* cited by examiner

*Primary Examiner* — Patricia A Palasik

(74) *Attorney, Agent, or Firm* — Ware, Fressola, Maguire & Barber LLP

(57) **CLAIM**

The ornamental design for a casing for a polishing or sanding machine, as shown and described.

**DESCRIPTION**

FIG. 1 shows a perspective view of a casing for a polishing or sanding machine, according to some embodiments of the present invention;

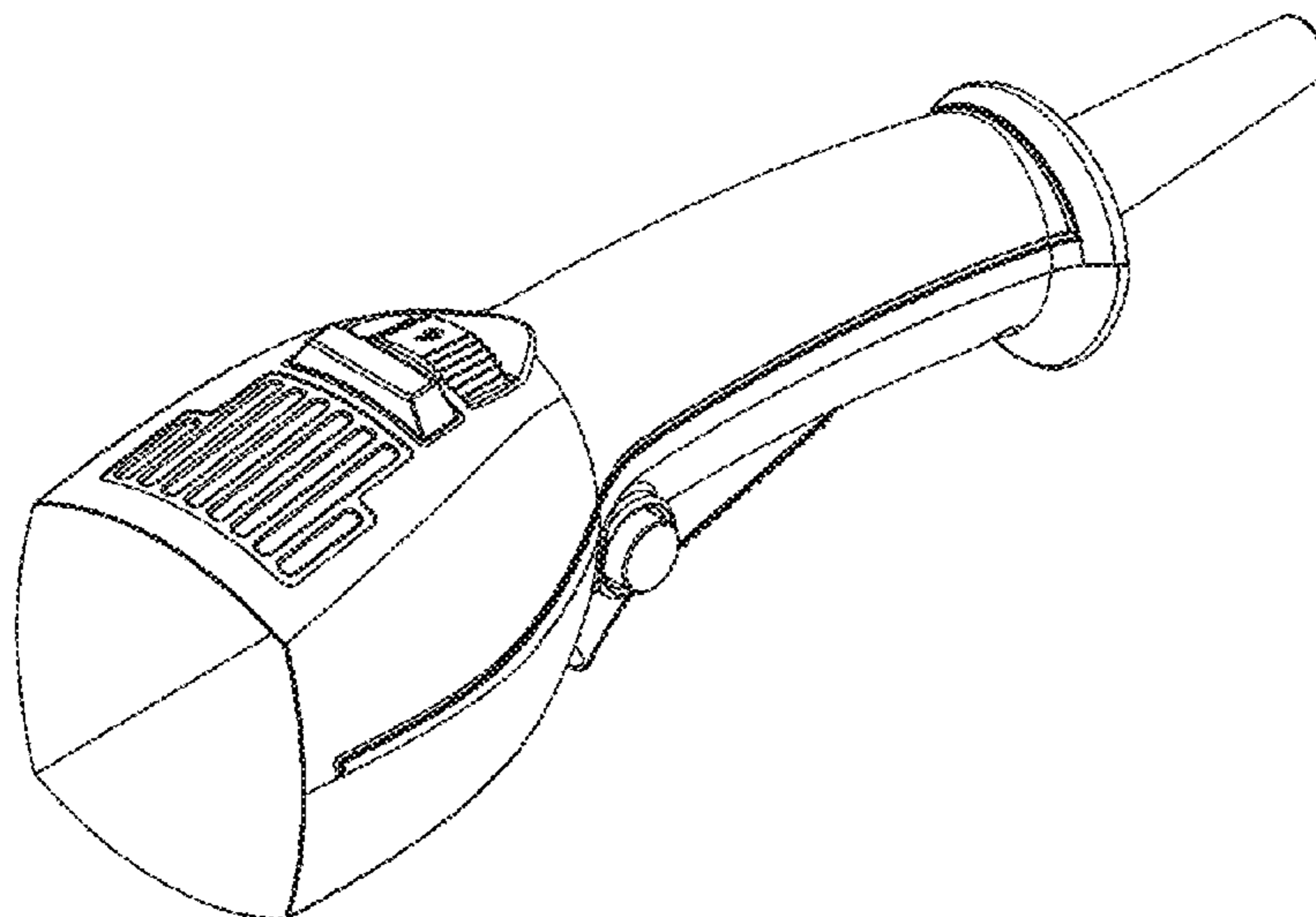
FIG. 2 shows a left side view of the casing shown in FIG. 1;

FIG. 3 shows a right side view of the casing shown in FIG. 1;

FIG. 4 shows a top view of the casing shown in FIG. 1; and, FIG. 5 shows a bottom view of the casing shown in FIG. 1.

The broken lines in the drawing depict unclaimed environmental subject matter.

**1 Claim, 5 Drawing Sheets**



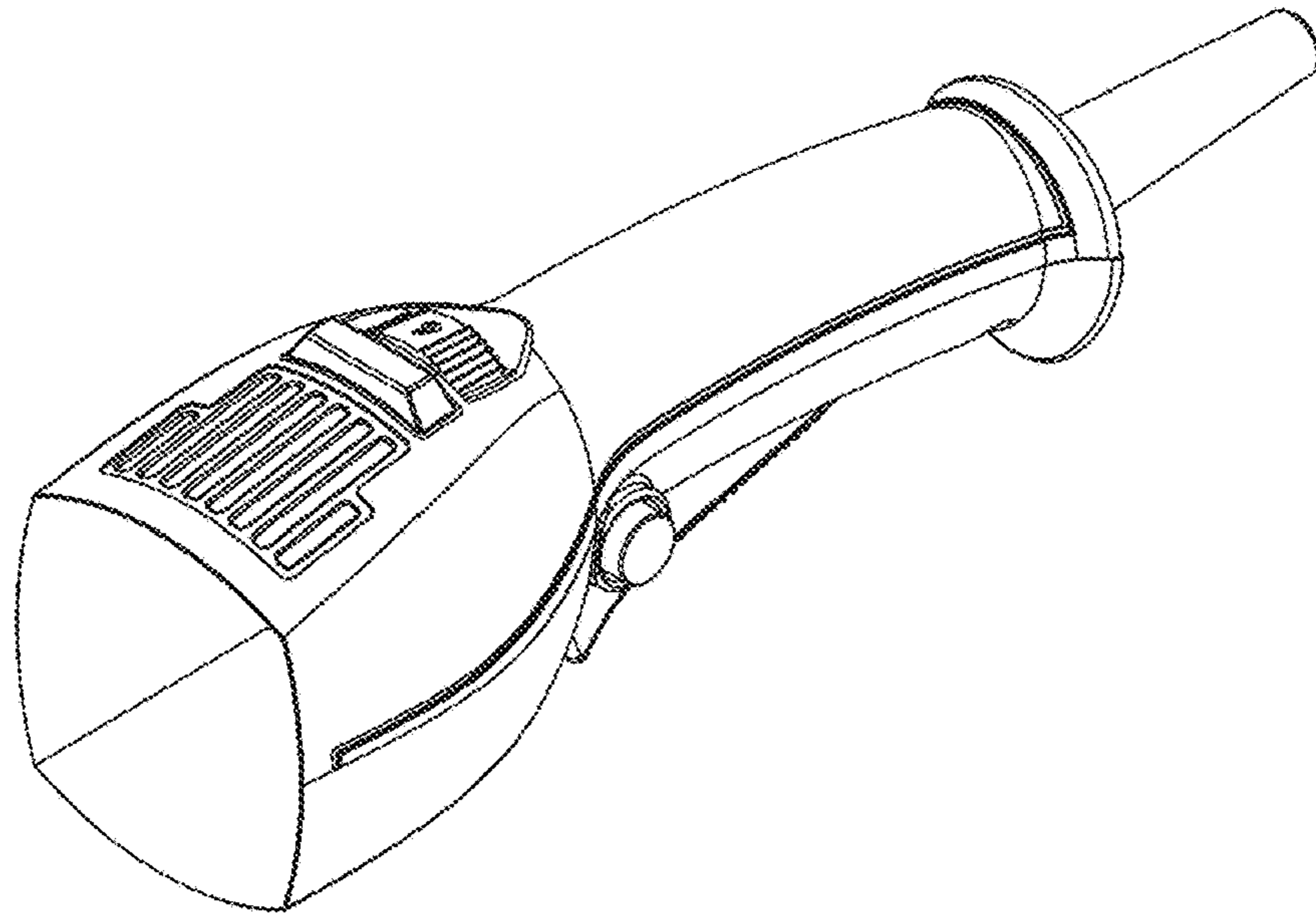


FIGURE 1

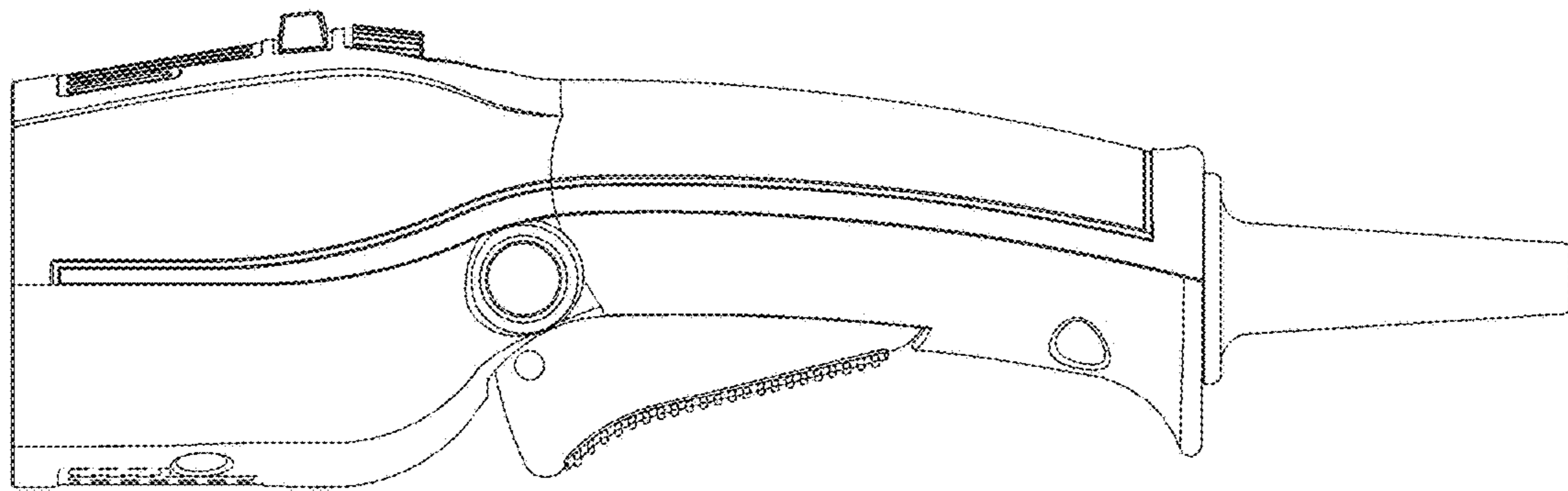


FIGURE 2

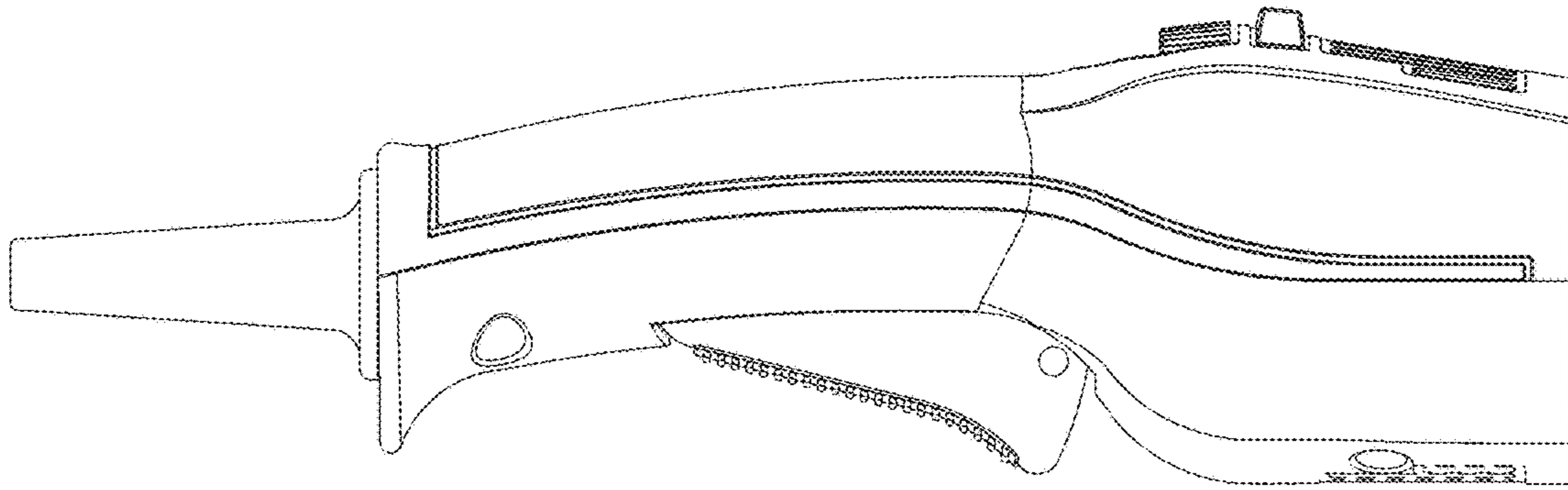


FIGURE 3

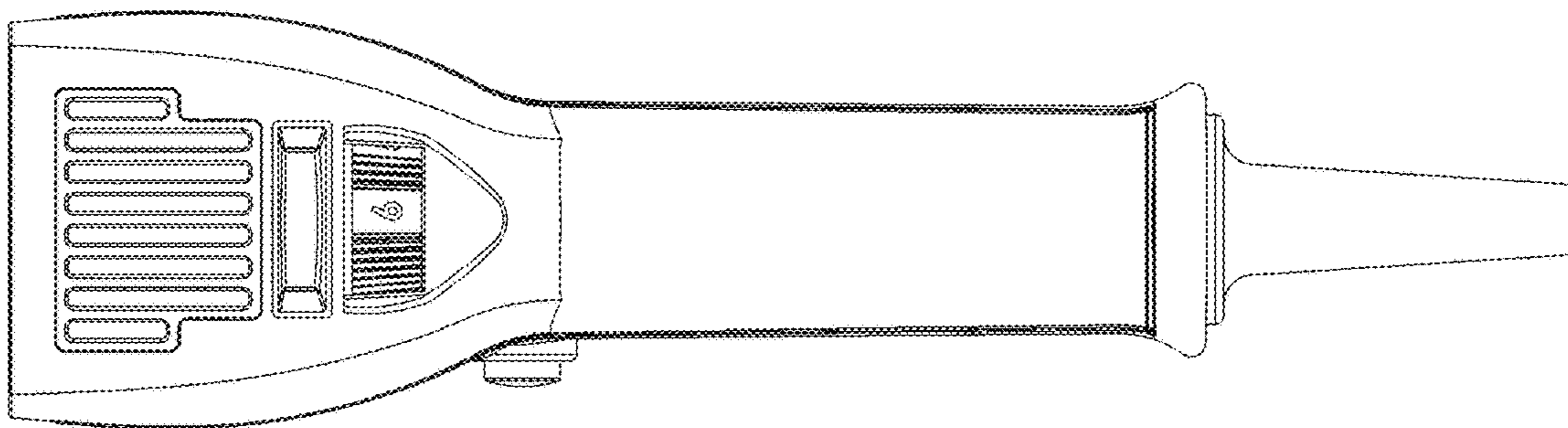


FIGURE 4

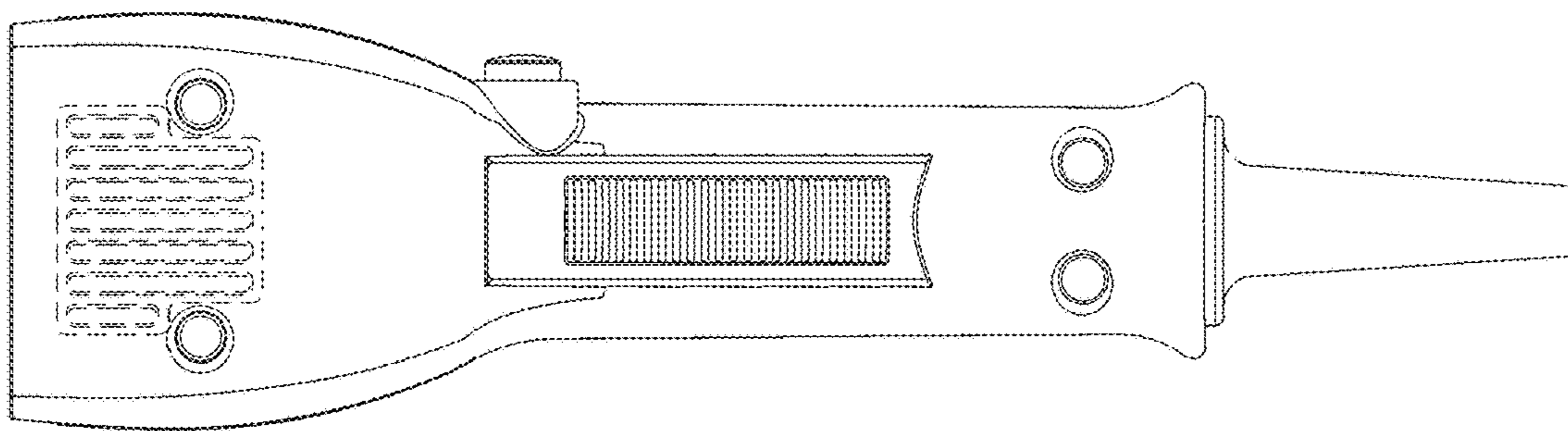


FIGURE 5