



US00D853811S

(12) **United States Design Patent**
Gunder

(10) **Patent No.:** **US D853,811 S**

(45) **Date of Patent:** **** Jul. 16, 2019**

(54) **GRIPPER**
(71) Applicant: **PHD, Inc.**, Fort Wayne, IN (US)
(72) Inventor: **Tod A. Gunder**, New Haven, IN (US)
(73) Assignee: **PHD, Inc.**, Fort Wayne, IN (US)
(**) Term: **15 Years**
(21) Appl. No.: **29/609,441**

8,152,214 B2 * 4/2012 Williams F16C 29/126
294/119.1
8,833,823 B2 * 9/2014 Price B66C 1/44
294/198
D769,095 S * 10/2016 De Bruin D8/51
9,902,032 B2 * 2/2018 McIntosh B25B 5/087
D816,138 S * 4/2018 Schulnig D15/199
2011/0147103 A1 * 6/2011 Alfayad B25J 17/0283
180/8.5
2016/0107317 A1 * 4/2016 Hashimoto B25J 9/042
414/744.2
2017/0217023 A1 * 8/2017 Smith B25J 15/0066

* cited by examiner

(22) Filed: **Jun. 30, 2017**
(51) **LOC (11) Cl.** **08-05**
(52) **U.S. Cl.**
USPC **D8/51; D15/199**
(58) **Field of Classification Search**
USPC D15/199; D21/578-583, 621, 622
CPC ... B25J 5/00; B25J 5/007; B25J 9/0006; B25J
19/0016; Y10S 901/01; Y10S 901/19;
Y10S 901/27
See application file for complete search history.

Primary Examiner — Austin Murphy
(74) *Attorney, Agent, or Firm* — Taylor IP, P.C.

(57) **CLAIM**

The ornamental design for a gripper, as shown and described.

(56) **References Cited**

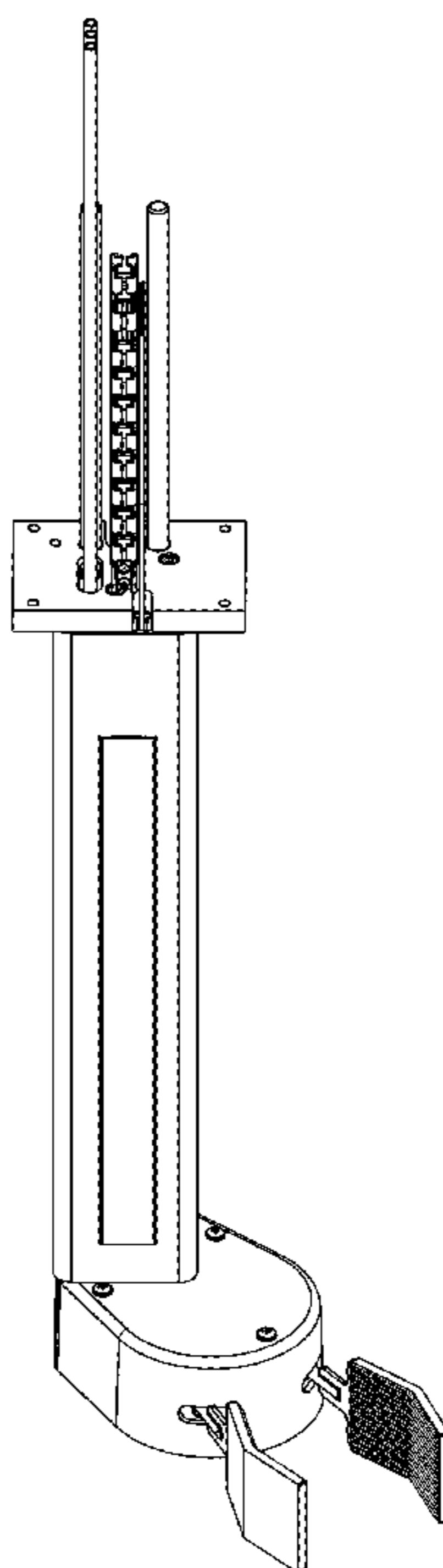
DESCRIPTION

U.S. PATENT DOCUMENTS

D344,961 S * 3/1994 Kallen D15/32
D371,332 S * 7/1996 Chapple 280/209
D425,528 S * 5/2000 Lindgren D15/32
D459,807 S * 7/2002 Webb D24/133
6,739,637 B2 * 5/2004 Hsu B25G 3/18
294/115
7,448,607 B2 * 11/2008 Steele B25B 5/087
269/24
D617,619 S * 6/2010 Bensussan D8/51
D651,881 S * 1/2012 Blockburger D8/52

FIG. 1 is a perspective view of a gripper showing my new design;
FIG. 2 is a front view thereof;
FIG. 3 is a top view thereof;
FIG. 4 is a bottom view thereof;
FIG. 5 is a side view thereof;
FIG. 6 is an opposite side view thereof; and,
FIG. 7 is a rear view thereof.

1 Claim, 3 Drawing Sheets



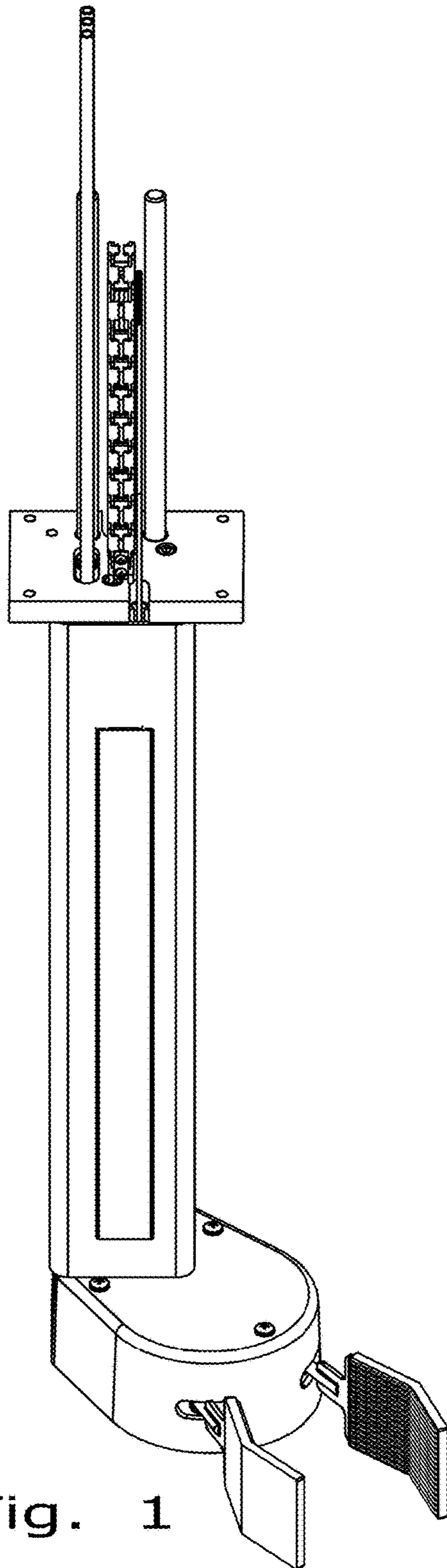


Fig. 1

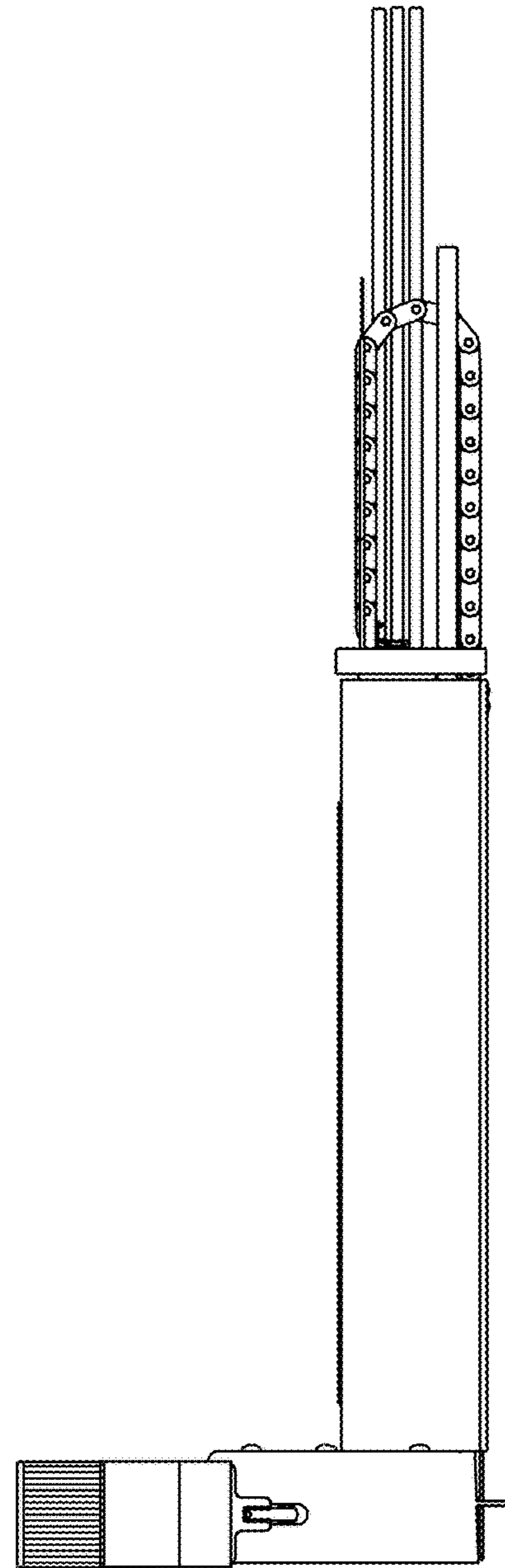


Fig. 2

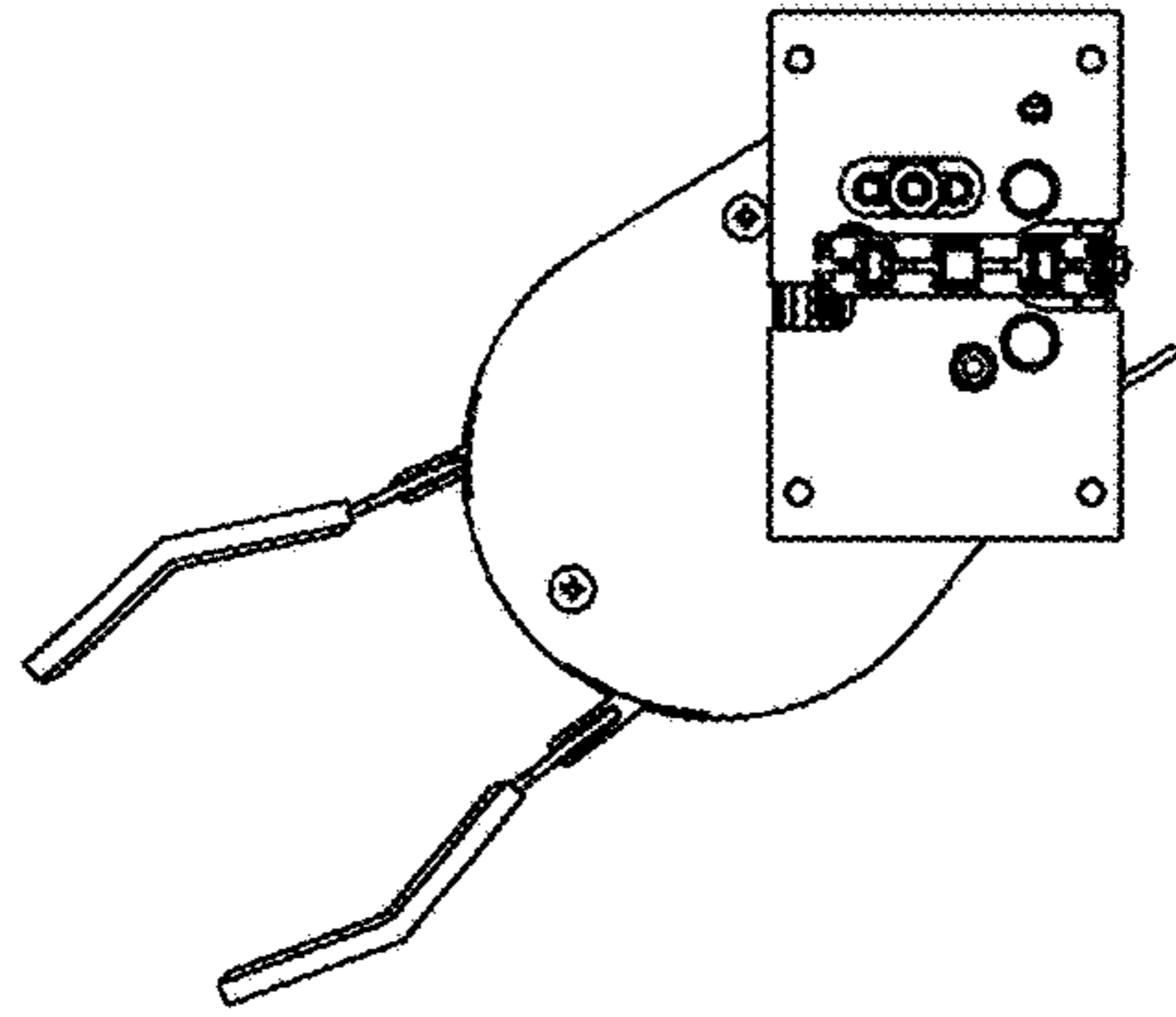


Fig. 3

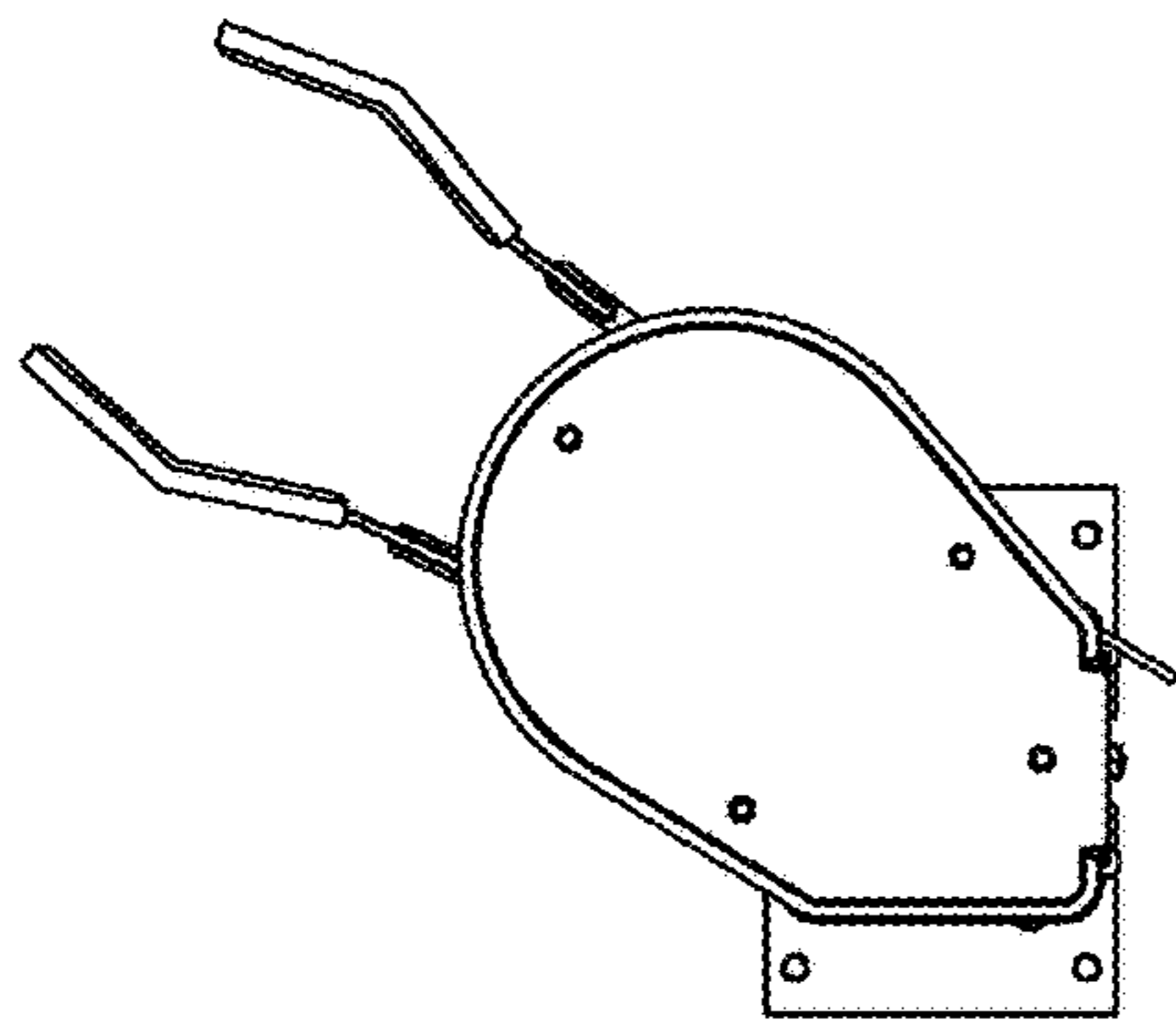


Fig. 4

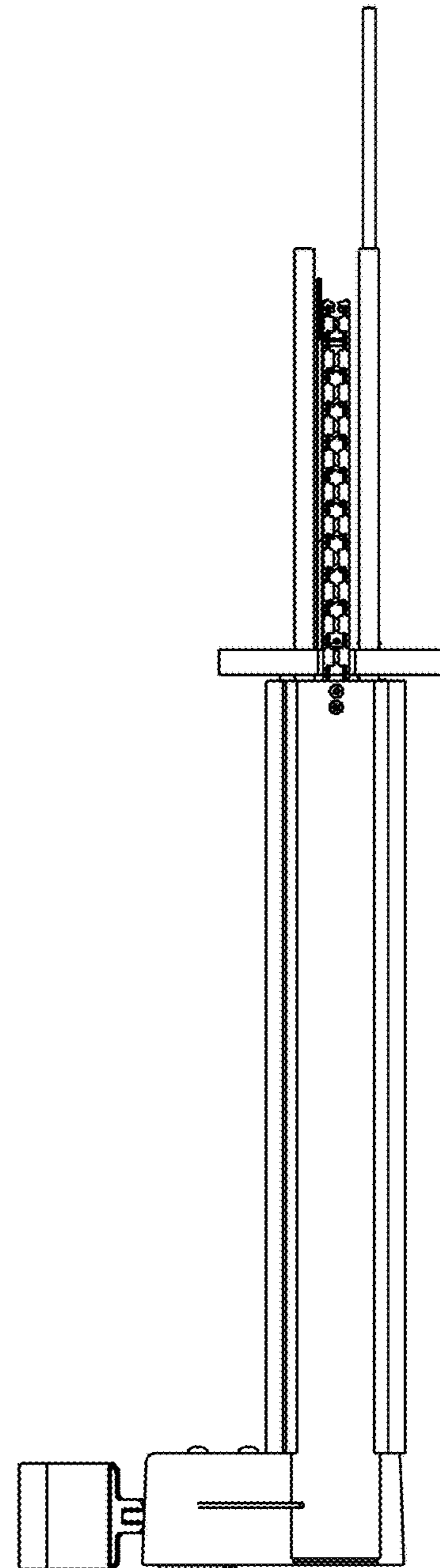


Fig. 5

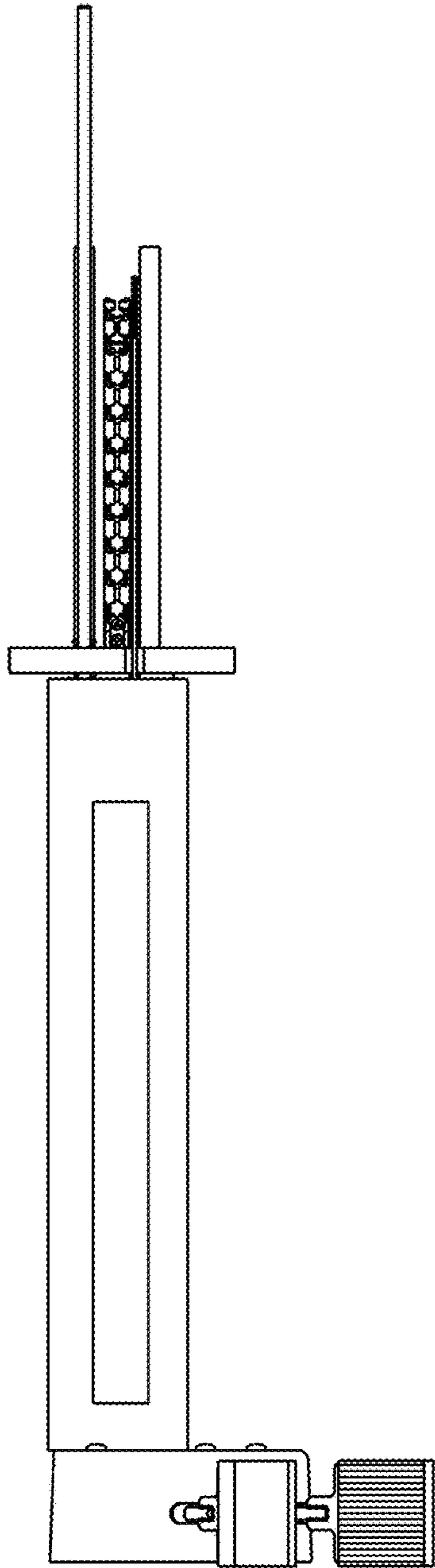


Fig. 6

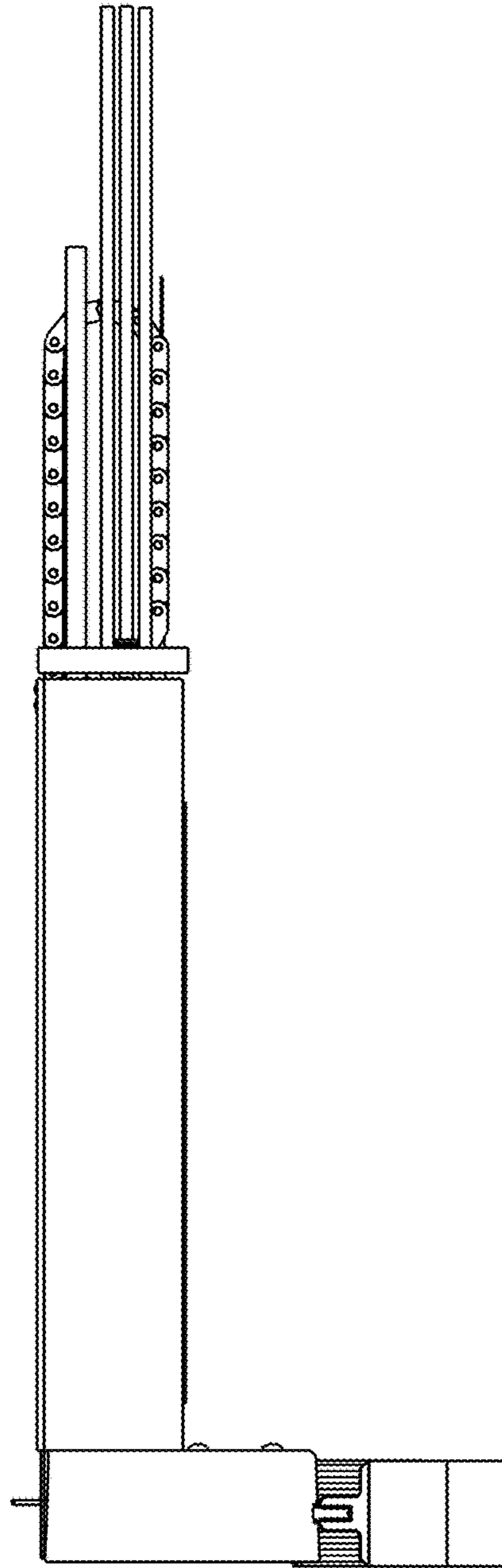


Fig. 7