



US00D853808S

(12) **United States Design Patent** (10) **Patent No.:** **US D853,808 S**
Hyma et al. (45) **Date of Patent:** **** Jul. 16, 2019**

(54) **DRIVER**

(71) Applicant: **MILWAUKEE ELECTRIC TOOL CORPORATION**, Brookfield, WI (US)

(72) Inventors: **Steven W. Hyma**, Milwaukee, WI (US); **Alec D. Snavley**, Sparta, MI (US); **Smith C. Theiler**, Plymouth, WI (US); **Michael J. Zimmermann**, New Berlin, WI (US)

(73) Assignee: **MILWAUKEE ELECTRIC TOOL CORPORATION**, Brookfield, WI (US)

(**) Term: **15 Years**

D493,081	S	*	7/2004	Chen	D8/29
D525,839	S	*	8/2006	Rauckman	D8/29
D539,131	S	*	3/2007	Hsien	D8/382
7,281,310	B2	*	10/2007	Moore	B25B 13/06 29/456
D564,847	S	*	3/2008	Hurlburt	D8/14
D584,118	S	*	1/2009	Halstead	D8/29
D589,319	S	*	3/2009	Peters	D8/70
D629,025	S	*	12/2010	Greenleaf	D15/128
D642,882	S	*	8/2011	Lane	D8/29
D659,730	S	*	5/2012	Cantlon	D15/140
D709,744	S	*	7/2014	Kluhsman, Jr.	D8/29
D736,053	S	*	8/2015	Zhang	D8/86
9,144,893	B2	*	9/2015	Su	B25B 13/06
9,156,147	B2	*	10/2015	Peters	B23B 31/10
2009/0008886	A1	*	1/2009	Shu	B23B 31/06 279/103

(21) Appl. No.: **29/604,200**

(22) Filed: **May 16, 2017**

(51) **LOC (11) Cl.** **08-05**

(52) **U.S. Cl.**
USPC **D8/29; D8/70; D15/140**

(58) **Field of Classification Search**
USPC **D8/14, 21, 29, 86, 70; D15/140**
CPC **B23B 31/006; B23B 31/10; B23B 31/107;**
B23B 31/1071; B23B 31/1072; B23B
31/1073; B25B 23/0035; B25B 23/0057
See application file for complete search history.

* cited by examiner

Primary Examiner — Philip S Hyder
(74) *Attorney, Agent, or Firm* — Michael Best & Friedrich LLP

(56) **References Cited**

U.S. PATENT DOCUMENTS

1,422,067	A	*	7/1922	Abegg	B25B 23/0035 15/23
D335,071	S	*	4/1993	Fine	D8/29
D365,113	S	*	12/1995	Ronan	D15/140
5,485,769	A	*	1/1996	Olson	B25B 15/001 81/177.85
D379,420	S	*	5/1997	Standlee	D8/70
D414,391	S	*	9/1999	Stagmo	D8/29

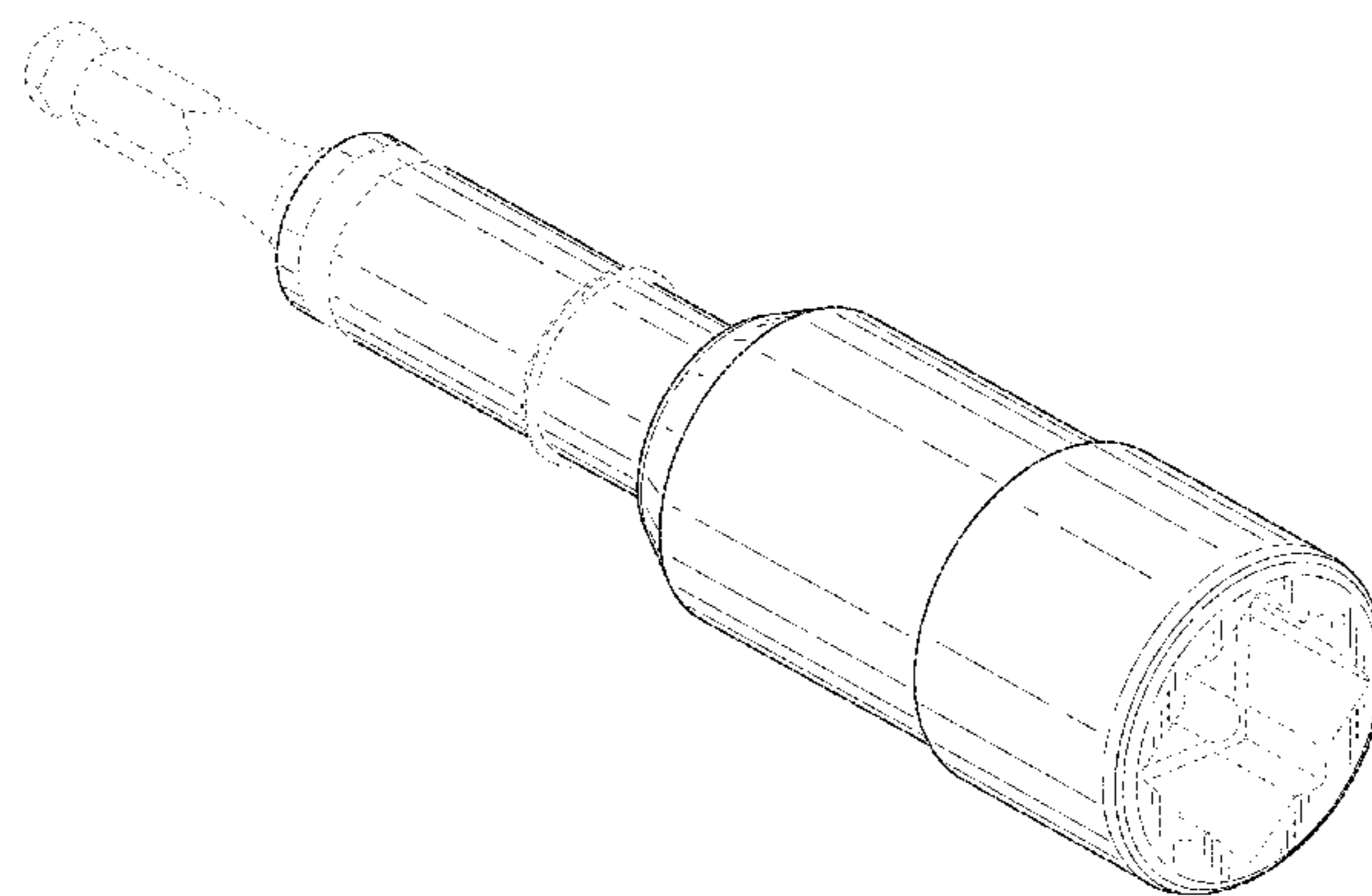
(57) **CLAIM**

We claim the ornamental design for a driver, as shown and described.

DESCRIPTION

FIG. 1 is a perspective view of a driver.
FIG. 2 is a first side view of the driver of FIG. 1.
FIG. 3 is a second side view of the driver of FIG. 1.
FIG. 4 is a third side view of the driver of FIG. 1.
FIG. 5 is a fourth side view of the driver of FIG. 1.
FIG. 6 is a first end view of the driver of FIG. 1; and,
FIG. 7 is a second end view of the driver of FIG. 1.
The broken lines depict portions of the driver in which the design is embodied that are not considered part of the claimed design.

1 Claim, 4 Drawing Sheets



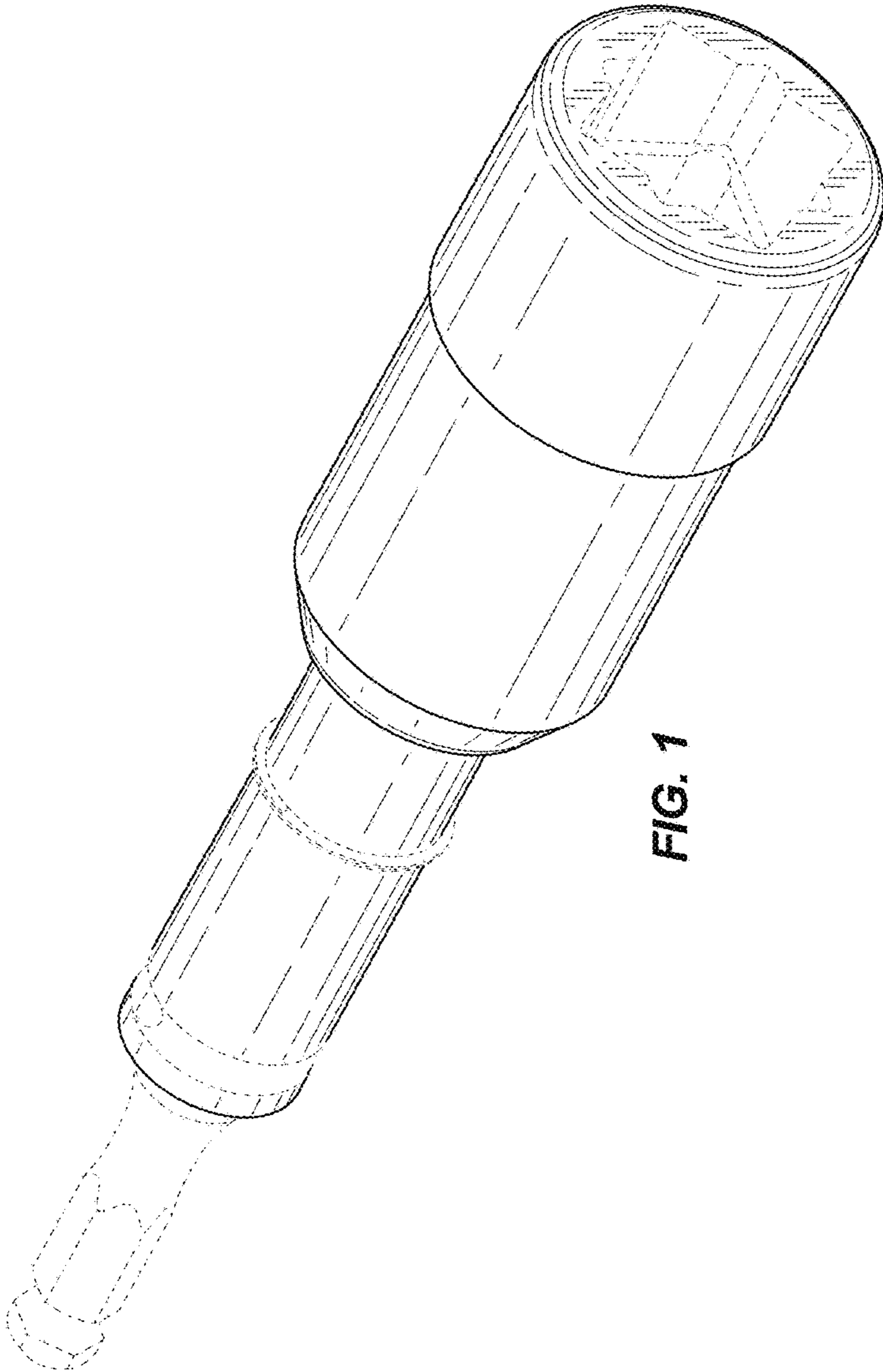


FIG. 1

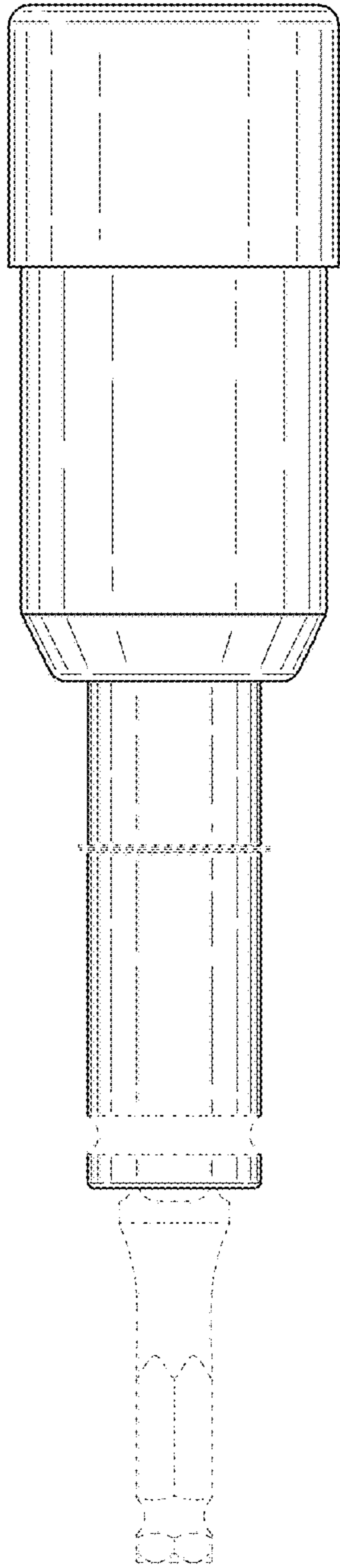


FIG. 2

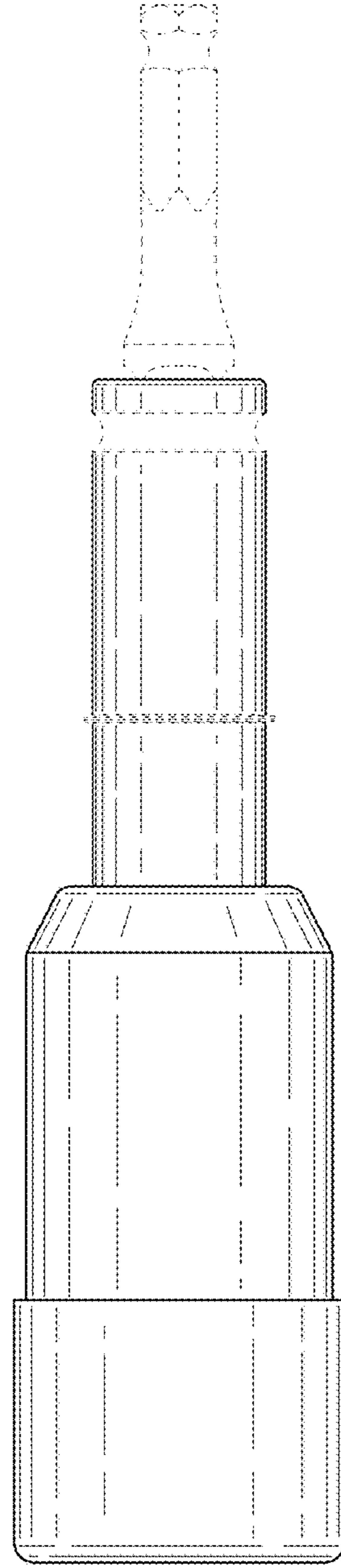


FIG. 3

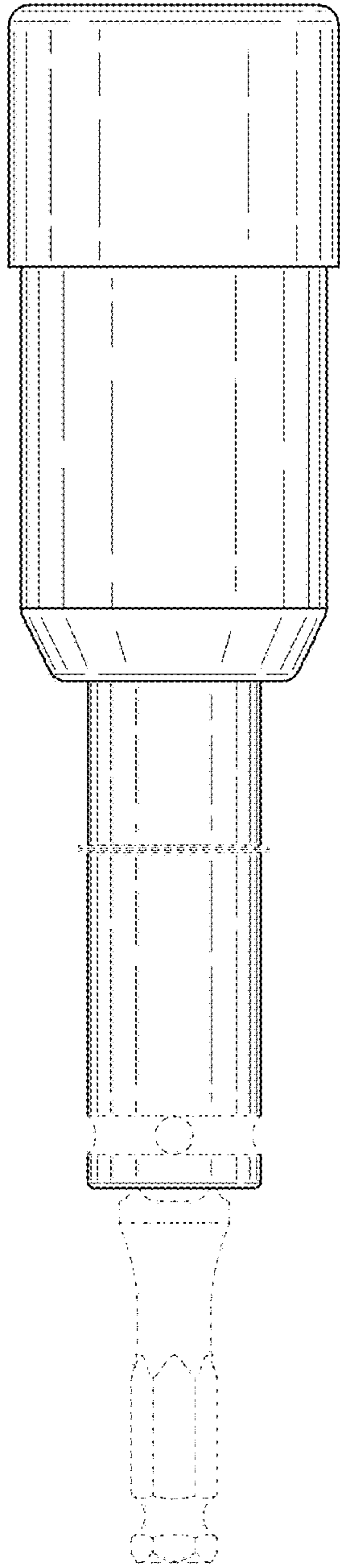


FIG. 4

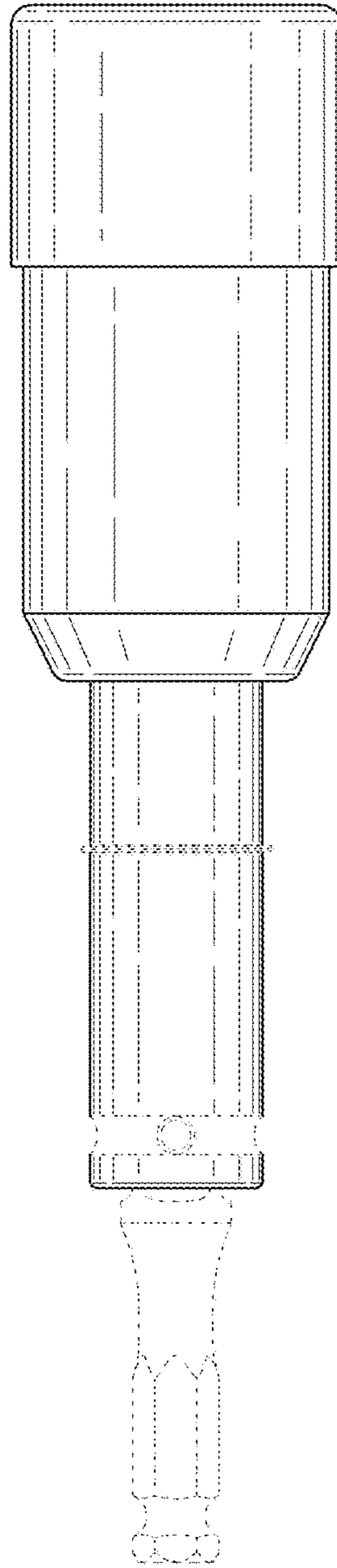


FIG. 5

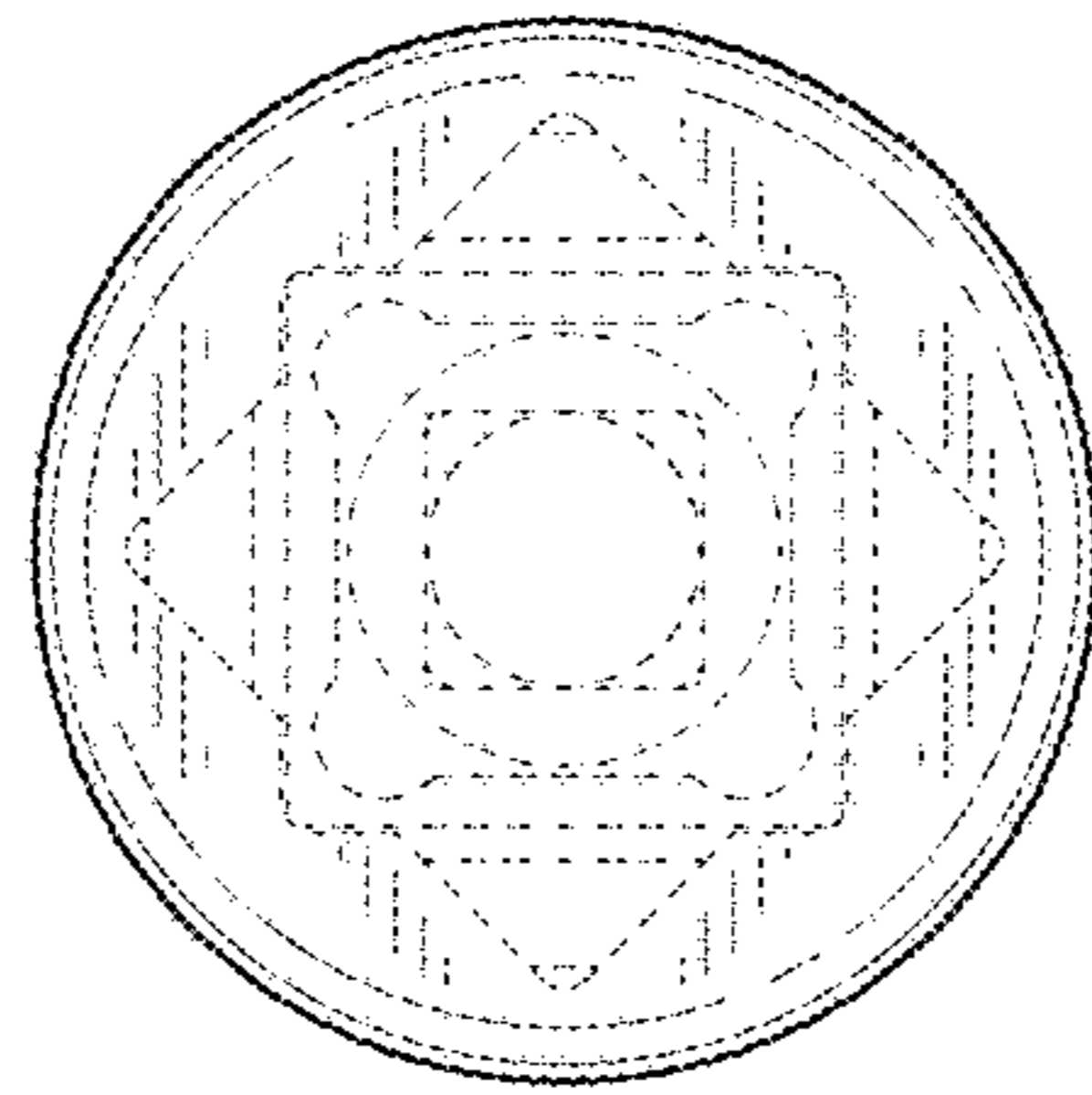


FIG. 6

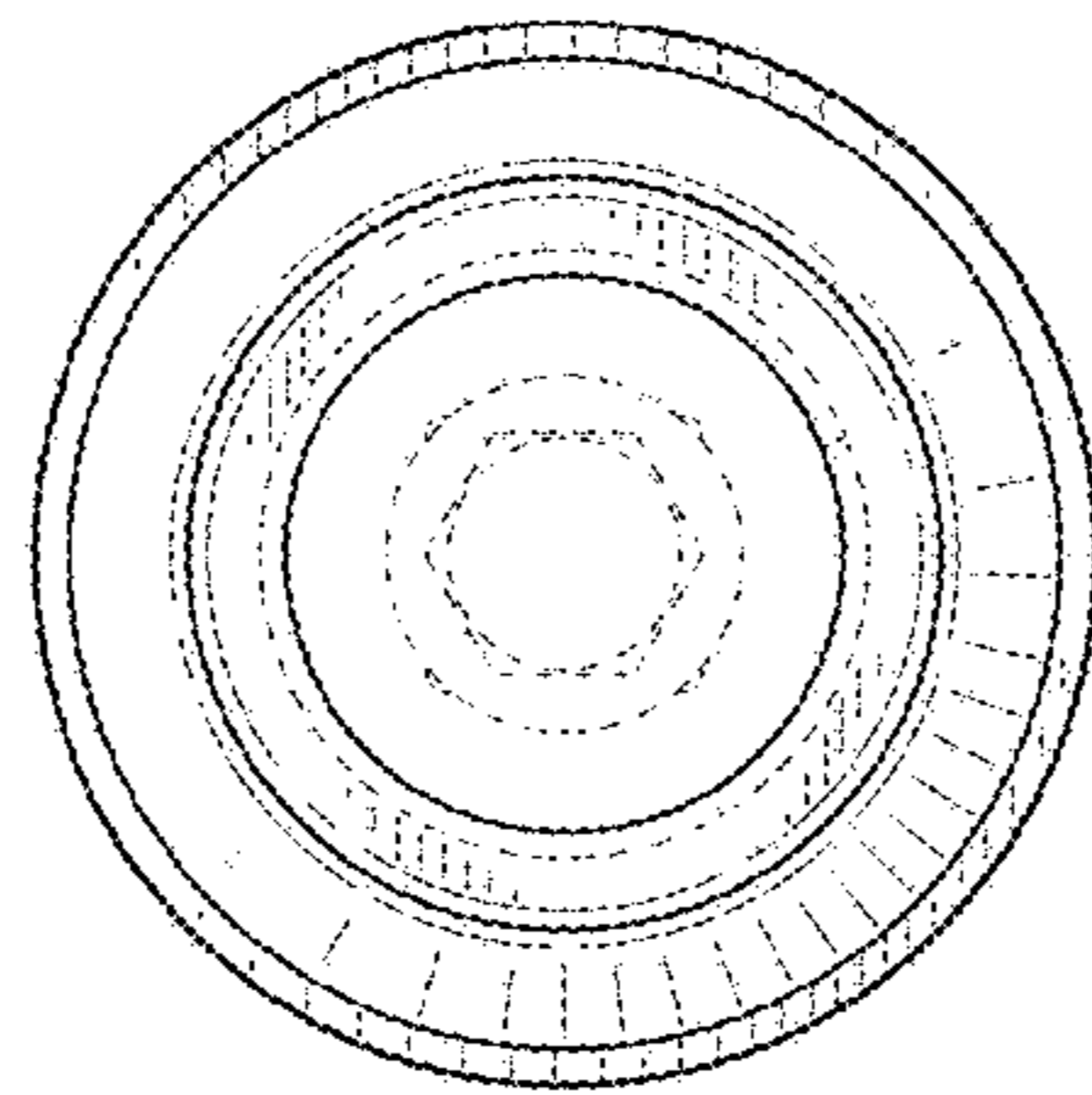


FIG. 7