



US00D853806S

(12) **United States Design Patent**
Bindhammer

(10) **Patent No.:** **US D853,806 S**

(45) **Date of Patent:** **** Jul. 16, 2019**

(54) **STRING SPOOL FOR STRING TRIMMER**

(71) Applicant: **SCHEPPACH FABRIKATION VON
HOLZBEARBEITUNGSMASCHINEN
GMBH, Ichenhausen (DE)**

(72) Inventor: **Markus Bindhammer, Friedberg (DE)**

(**) Term: **15 Years**

(21) Appl. No.: **35/503,770**

(22) Filed: **Aug. 10, 2017**

(80) **Hague Agreement Data**

Int. Filing Date: **Aug. 10, 2017**

Int. Reg. No.: **DM/097713**

Int. Reg. Date: **Aug. 10, 2017**

Int. Reg. Pub. Date: **Oct. 6, 2017**

(51) **LOC (11) Cl.** **08-03**

(52) **U.S. Cl.**
USPC **D8/8**

(58) **Field of Classification Search**

USPC D8/1, 6, 7, 8, 396, 356, 359, 358, 360.1;
D13/154, 155; D10/72; D34/14, 24, 26;
D22/140; D15/17

CPC A01D 34/4166; A01D 34/4165; B65H
54/30; B65H 2701/354; B65H 49/20

See application file for complete search history.

(56) **References Cited**

U.S. PATENT DOCUMENTS

4,335,510 A * 6/1982 Close A01D 34/4161
30/276

6,052,974 A * 4/2000 Harb A01D 34/416
30/276

D502,368 S * 3/2005 Nystrom D8/8
D560,107 S * 1/2008 Grey D8/8
D715,608 S * 10/2014 Cigarini D8/8
D727,695 S * 4/2015 Tinius D15/17
D814,894 S * 4/2018 Alliss D8/8
2009/0100686 A1* 4/2009 Sing A01D 34/4166
30/303
2017/0251594 A1* 9/2017 Nolin A01D 34/4166

* cited by examiner

Primary Examiner — Eliza Z Bennett-Hattan

(57) **CLAIM**

The ornamental design for a string spool for a string trimmer (brush cutter), as shown and described.

DESCRIPTION

The patent or application file contains at least one drawing executed in color. Copies of this patent or patent application publication with color drawing(s) will be provided by the Office upon request and payment of the necessary fee.

1. String spool for string trimmer

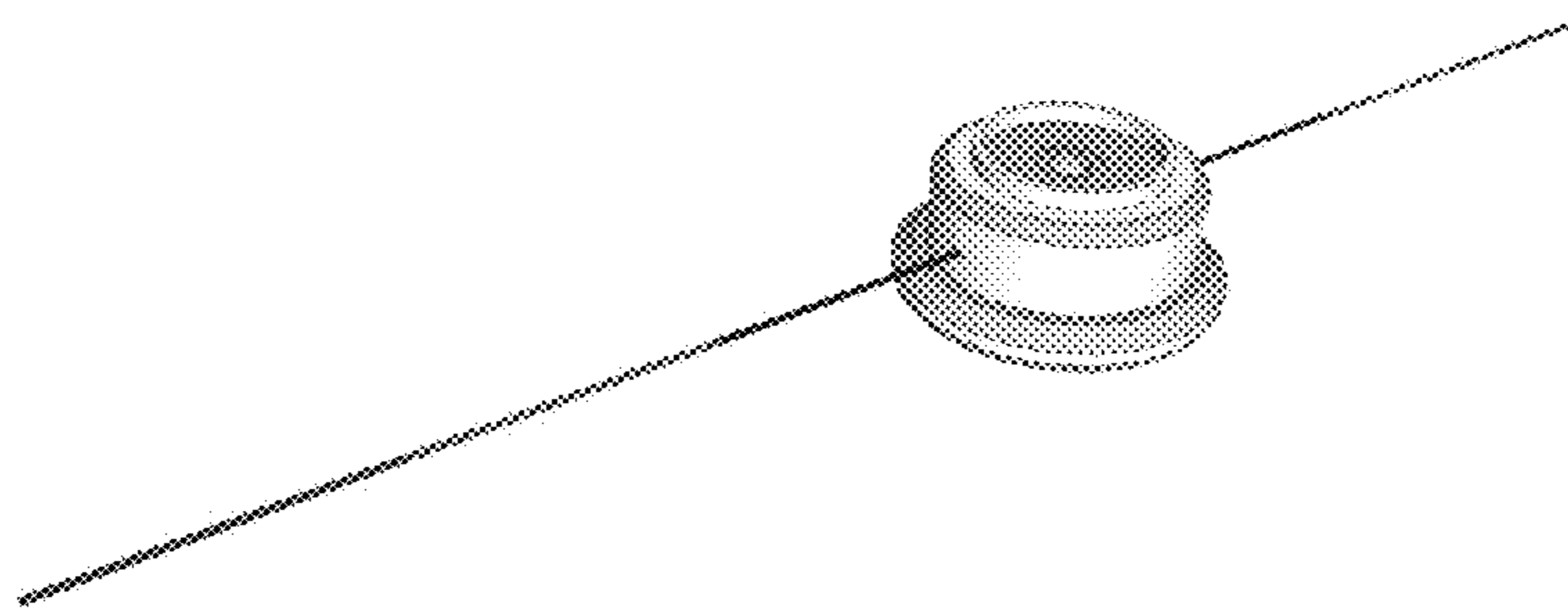
1.1 : Perspective

1.2 : Top

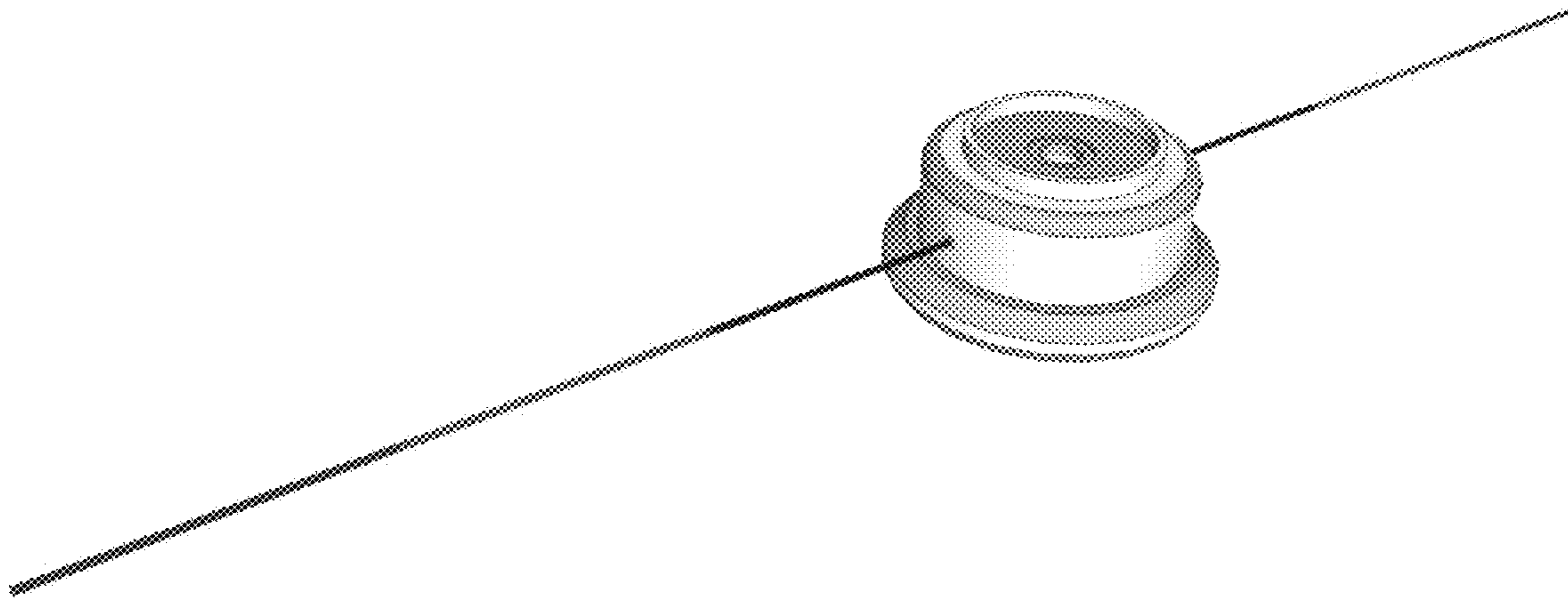
1.4 : Front

The design concerns a string spool for a string trimmer (brush cutter) with a multi color string with different color in different sections of the string.

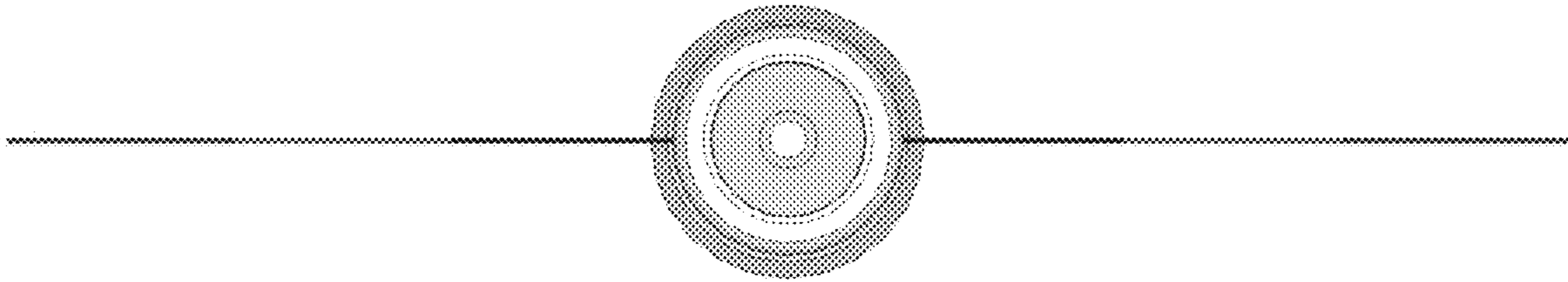
1 Claim, 3 Drawing Sheets
(3 of 3 Drawing Sheet(s) Filed in Color)



1.1



1.2



1.4

