



US00D853805S

(12) **United States Design Patent**
Sukruangsap

(10) **Patent No.:** **US D853,805 S**

(45) **Date of Patent:** **** Jul. 16, 2019**

(54) **KNIFE**

(71) Applicant: **Apichat Sukruangsap**, Samutprakan
(TH)

(72) Inventor: **Apichat Sukruangsap**, Samutprakan
(TH)

(**) Term: **15 Years**

(21) Appl. No.: **29/622,657**

(22) Filed: **Oct. 18, 2017**

(51) **LOC (11) Cl.** **08-01**

(52) **U.S. Cl.**
USPC **D8/7**

(58) **Field of Classification Search**
USPC D15/17; D8/7, 12, 107, 1; D7/649-652
CPC B26B 3/08; B26B 11/006; A22C 21/063
See application file for complete search history.

(56) **References Cited**

U.S. PATENT DOCUMENTS

D129,845 S * 10/1941 Krilow D7/650
3,241,236 A * 3/1966 Capps A22C 21/063
30/287
D208,990 S * 10/1967 Anderson 30/299
3,918,158 A * 11/1975 Debski B26B 3/08
30/314

D341,182 S * 11/1993 Dube D22/118
D461,999 S * 8/2002 Nimmo D8/7
D525,088 S * 7/2006 Fort D7/652
D530,164 S * 10/2006 Farley D8/9
D643,256 S * 8/2011 Hirai D7/649
8,250,767 B1 * 8/2012 Ciccarella B26B 3/08
30/314
D766,673 S * 9/2016 Mishan D7/649

* cited by examiner

Primary Examiner — Sheryl Lane

(74) *Attorney, Agent, or Firm* — Muncy, Geissler, Olds & Lowe, P.C.

(57) **CLAIM**

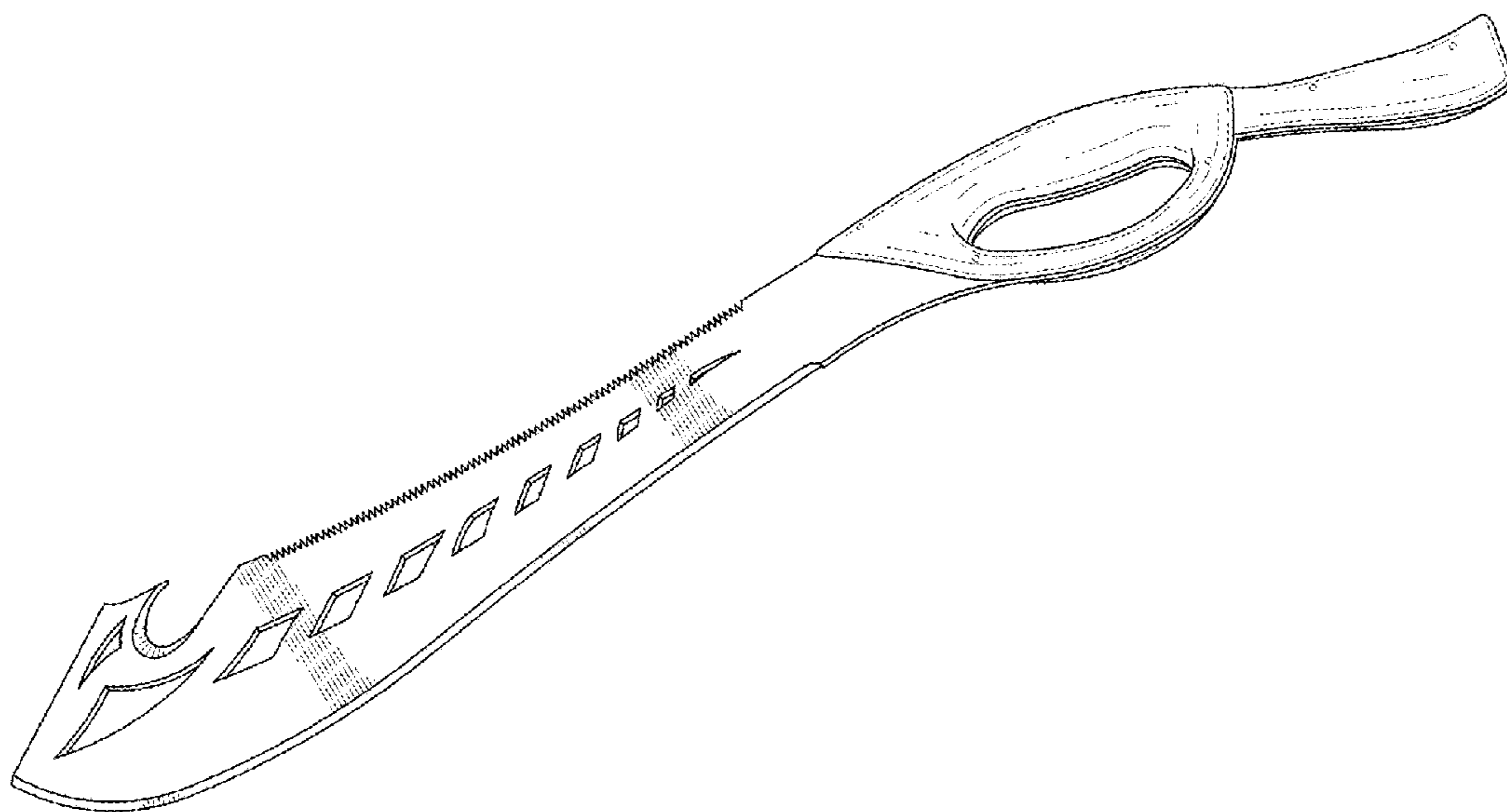
The ornamental design for a knife, as shown and described.

DESCRIPTION

FIG. 1 is a perspective view of a knife showing my new design according to an embodiment;
FIG. 2 is a front elevational view thereof;
FIG. 3 is a rear elevational view thereof;
FIG. 4 is a left side view thereof;
FIG. 5 is a right side view thereof;
FIG. 6 is a top plan view thereof; and,
FIG. 7 is a bottom plan view thereof.

The broken line showing of holes on the handle in FIGS. 1-7 is for the purpose of illustrating the structures and forms no part of the claimed design.

1 Claim, 7 Drawing Sheets



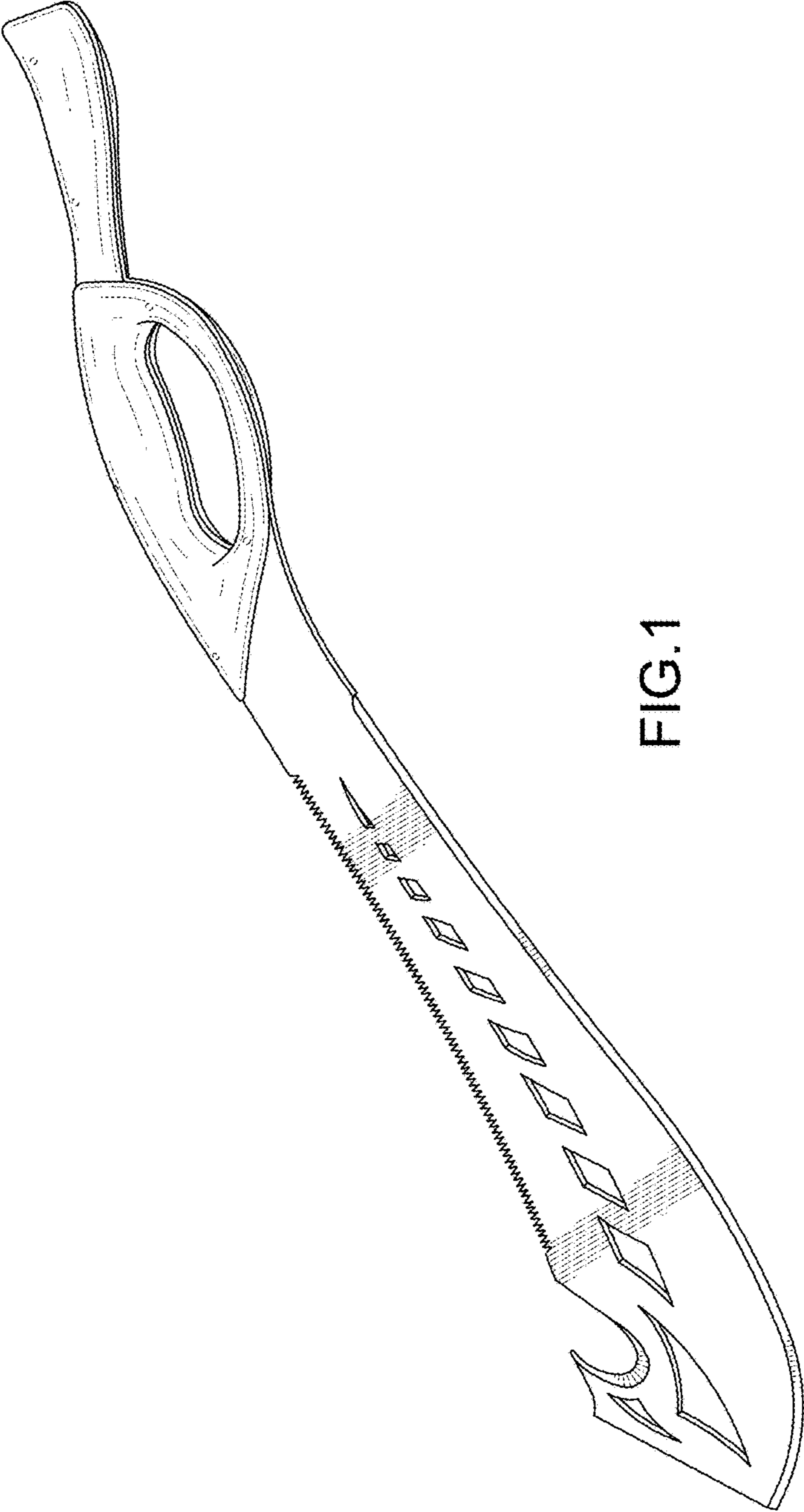


FIG.1

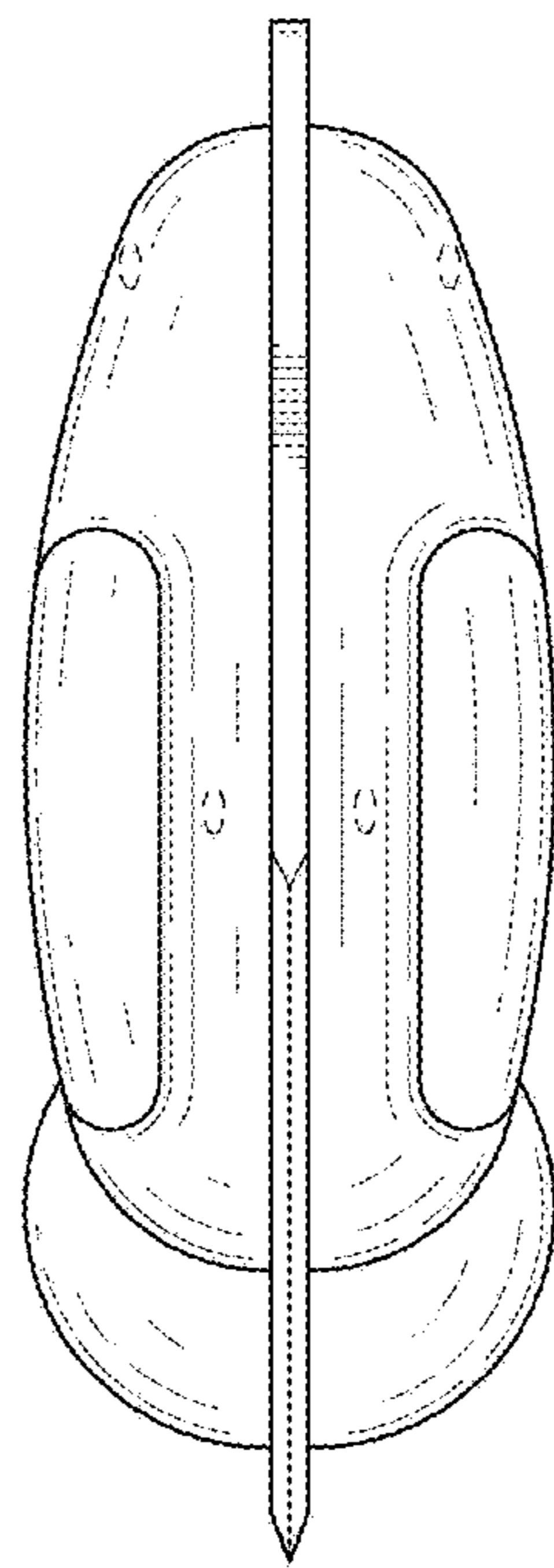


FIG.2

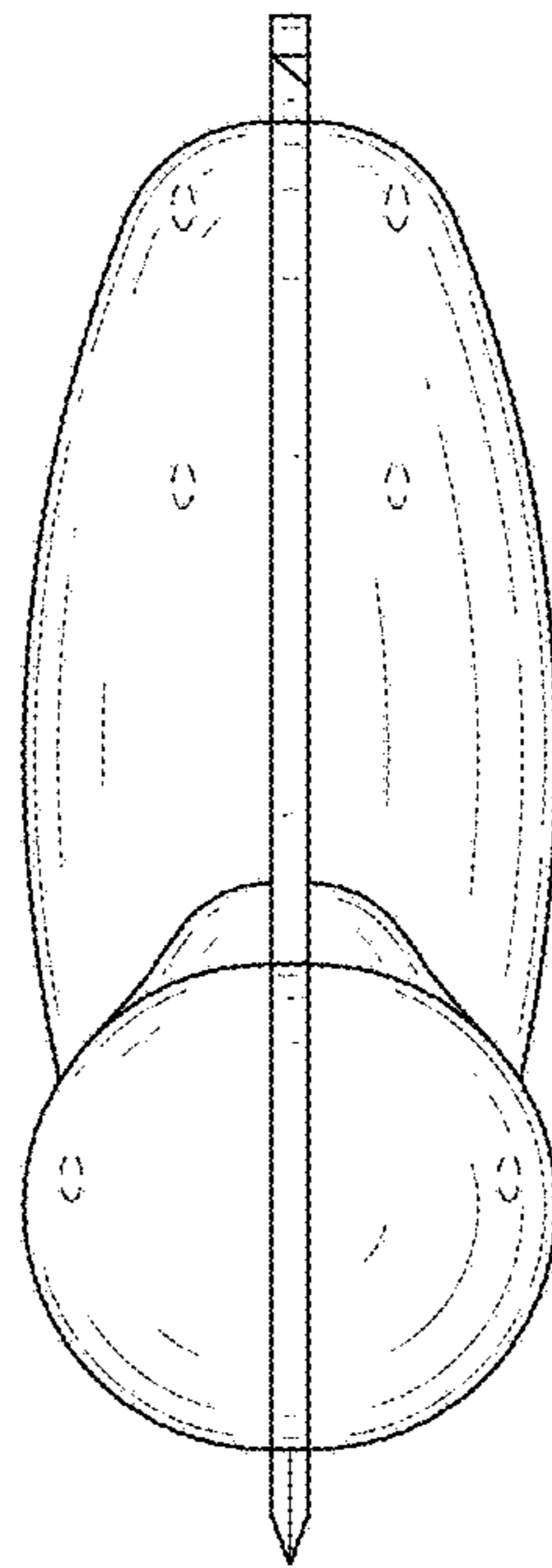


FIG.3

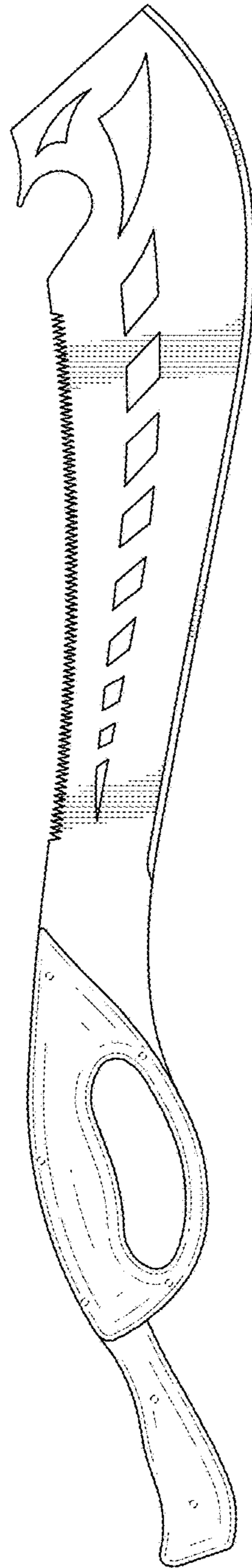


FIG.4

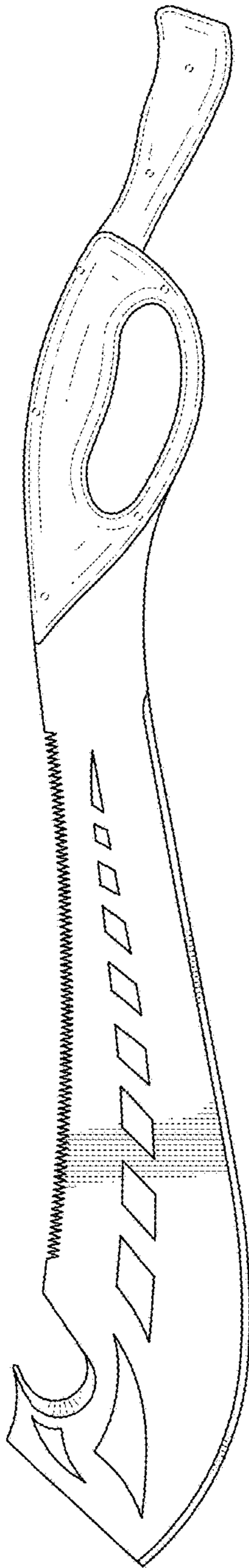


FIG.5

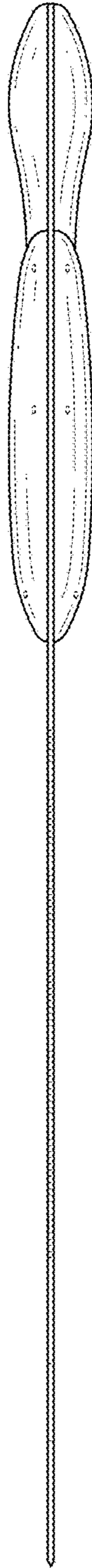


FIG.6

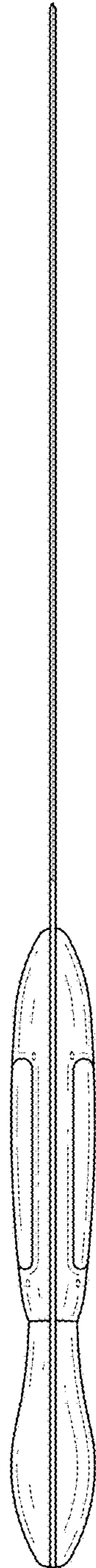


FIG.7